



US00D698906S

(12) **United States Design Patent**
Licini

(10) **Patent No.:** **US D698,906 S**
(45) **Date of Patent:** **** Feb. 4, 2014**

- (54) **BATH**
- (71) Applicant: **Kohler Co.**, Kohler, WI (US)
- (72) Inventor: **Frederic Licini**, L'Etang la Ville (FR)
- (73) Assignee: **Kohler Co.**, Kohler, WI (US)
- (**) Term: **14 Years**
- (21) Appl. No.: **29/453,536**
- (22) Filed: **Apr. 30, 2013**
- (51) **LOC (10) Cl.** **23-02**
- (52) **U.S. Cl.**
USPC **D23/304**
- (58) **Field of Classification Search**
USPC D23/277-278, 280.1, 304, 275; 4/538,
4/614
See application file for complete search history.

(56) **References Cited**

U.S. PATENT DOCUMENTS

3,583,000	A *	6/1971	Matkea	4/575.1
D279,344	S	6/1985	Kohler, Jr.		
D335,333	S	5/1993	Kohler, Jr.		
D335,528	S	5/1993	Kohler, Jr.		
D594,939	S	6/2009	Bates		
D594,940	S	6/2009	Bates		
7,941,877	B2 *	5/2011	Gardenier et al.	4/575.1
D639,916	S	6/2011	Dosne		
D642,663	S	8/2011	Dosne		

* cited by examiner

Primary Examiner — Robert Delehanty

(74) *Attorney, Agent, or Firm* — Foley & Lardner LLP

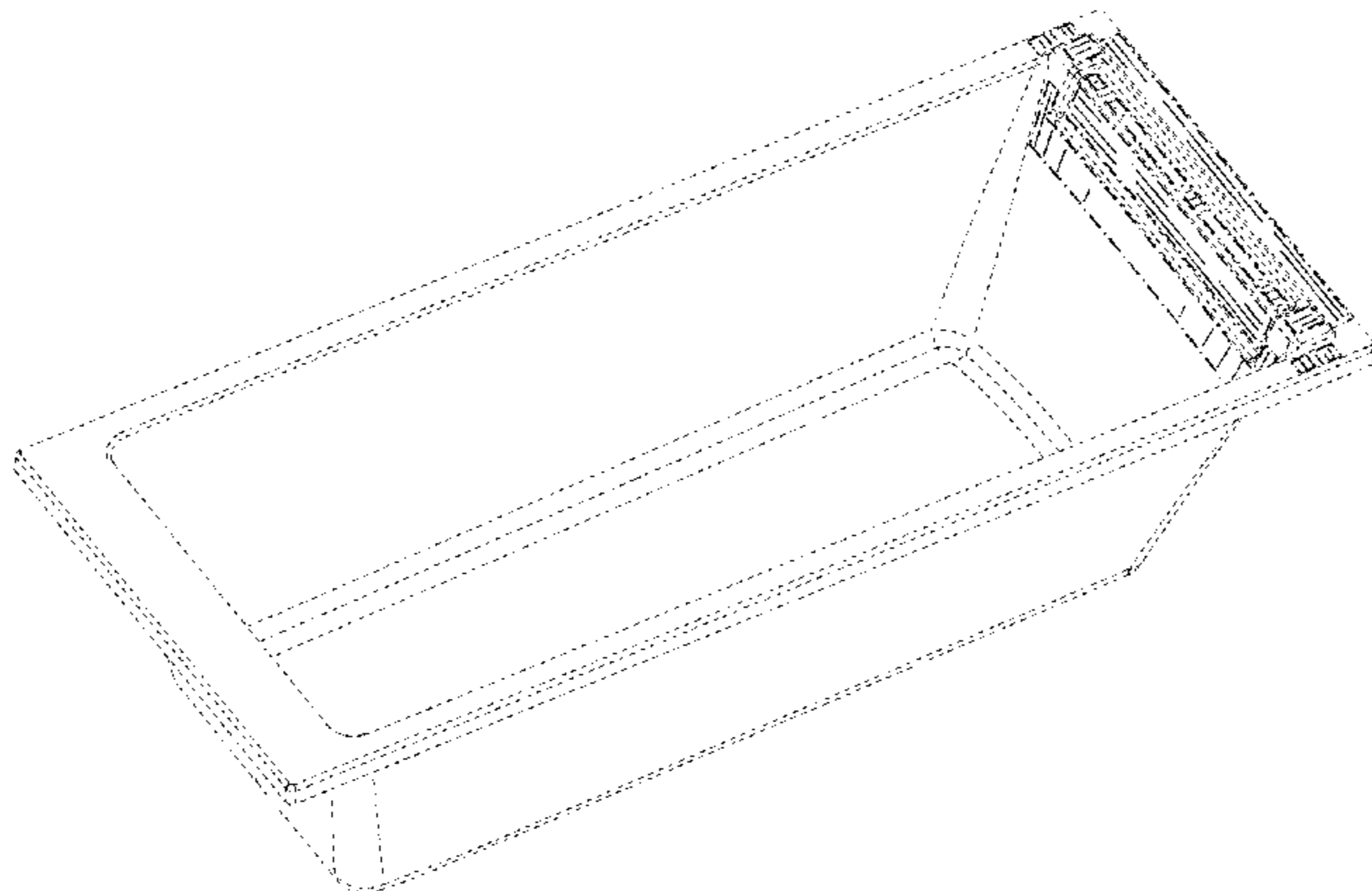
(57) **CLAIM**

I claim the ornamental design for a bath, as shown and described.

DESCRIPTION

FIG. 1 is a perspective view of an embodiment of the claimed design;

FIG. 2 is a top view of the embodiment of the claimed design shown in FIG. 1;
 FIG. 3 is a front sectional view of the embodiment of the claimed design shown in FIG. 2;
 FIG. 4 is a rear view of the embodiment of the claimed design shown in FIG. 1;
 FIG. 5 is a side view of the embodiment of the claimed design shown in FIG. 1;
 FIG. 6 is a side sectional view of the embodiment of the claimed design shown in FIG. 2;
 FIG. 7 is a bottom view of the embodiment of the claimed design shown in FIG. 1;
 FIG. 8 is a detail view of a side of the claimed design shown in FIG. 1;
 FIG. 9 is a top view of the side of the claimed design shown in FIG. 8;
 FIG. 10 is a side sectional view of the side of the claimed design shown in FIG. 8;
 FIG. 11 is a front sectional view of the side of the claimed design shown in FIG. 10;
 FIG. 12 is a perspective view of another embodiment of the claimed design;
 FIG. 13 is a top view of the embodiment of the claimed design shown in FIG. 12;
 FIG. 14 is a front sectional view of the embodiment of the claimed design shown in FIG. 13;
 FIG. 15 is a rear view of the embodiment of the claimed design shown in FIG. 12;
 FIG. 16 is a side view of the embodiment of the claimed design shown in FIG. 12;
 FIG. 17 is a side sectional view of the embodiment of the claimed design shown in FIG. 13;
 FIG. 18 is a bottom view of the embodiment of the claimed design shown in FIG. 12;
 FIG. 19 is a detail view of a side of the claimed design shown in FIG. 12;
 FIG. 20 is a top view of the side of the claimed design shown in FIG. 19;
 FIG. 21 is a side sectional view of the side of the claimed design shown in FIG. 19; and,
 FIG. 22 is a front sectional view of the side of the claimed design shown in FIG. 21.
 The ornamental design which is claimed is shown in solid lines in the drawings. The broken lines in the drawings are for



illustrative purposes only and form no part of the claimed design. Broken lines formed by equal length dashes show unclaimed portions of the design. Broken lines formed of unequal length dashes (i.e., dash-dot) show boundaries between claimed and unclaimed portions of the design.

While the accompanying drawings illustrate one or more exemplary embodiments, it should be understood that according to other exemplary embodiments that should be considered to be within the possession of the inventors of the present

application at the time this application is being filed, it is contemplated that any illustrated solid lines (or portions thereof) may be converted to broken lines and that any illustrated broken lines (or portions thereof) may be converted to solid lines so as to claim or disclaim portions, components, or sub-components of the designs shown. It is further contemplated that shading may be added or removed to claim or disclaim the corresponding surfaces.

1 Claim, 18 Drawing Sheets

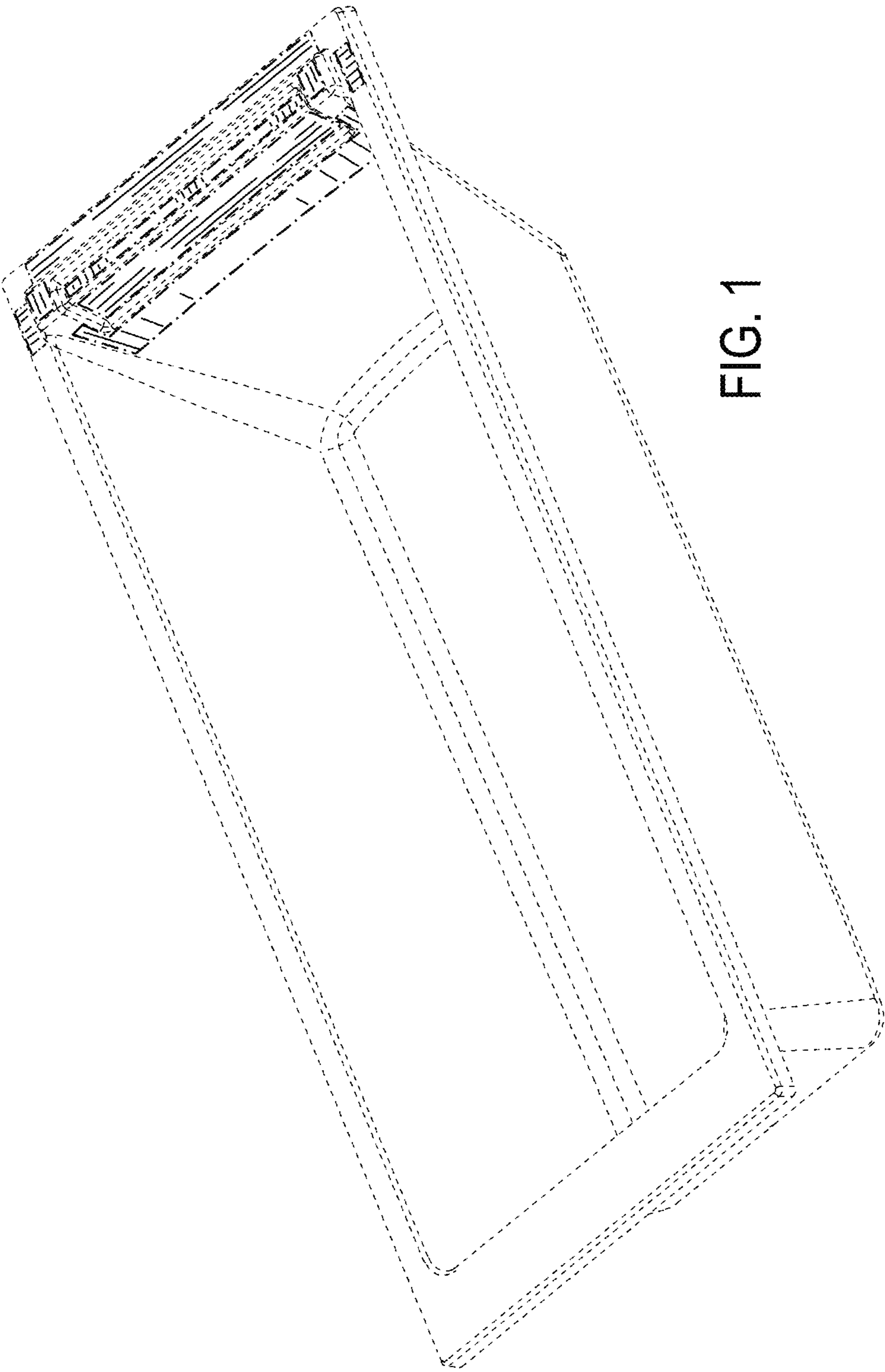


FIG. 1

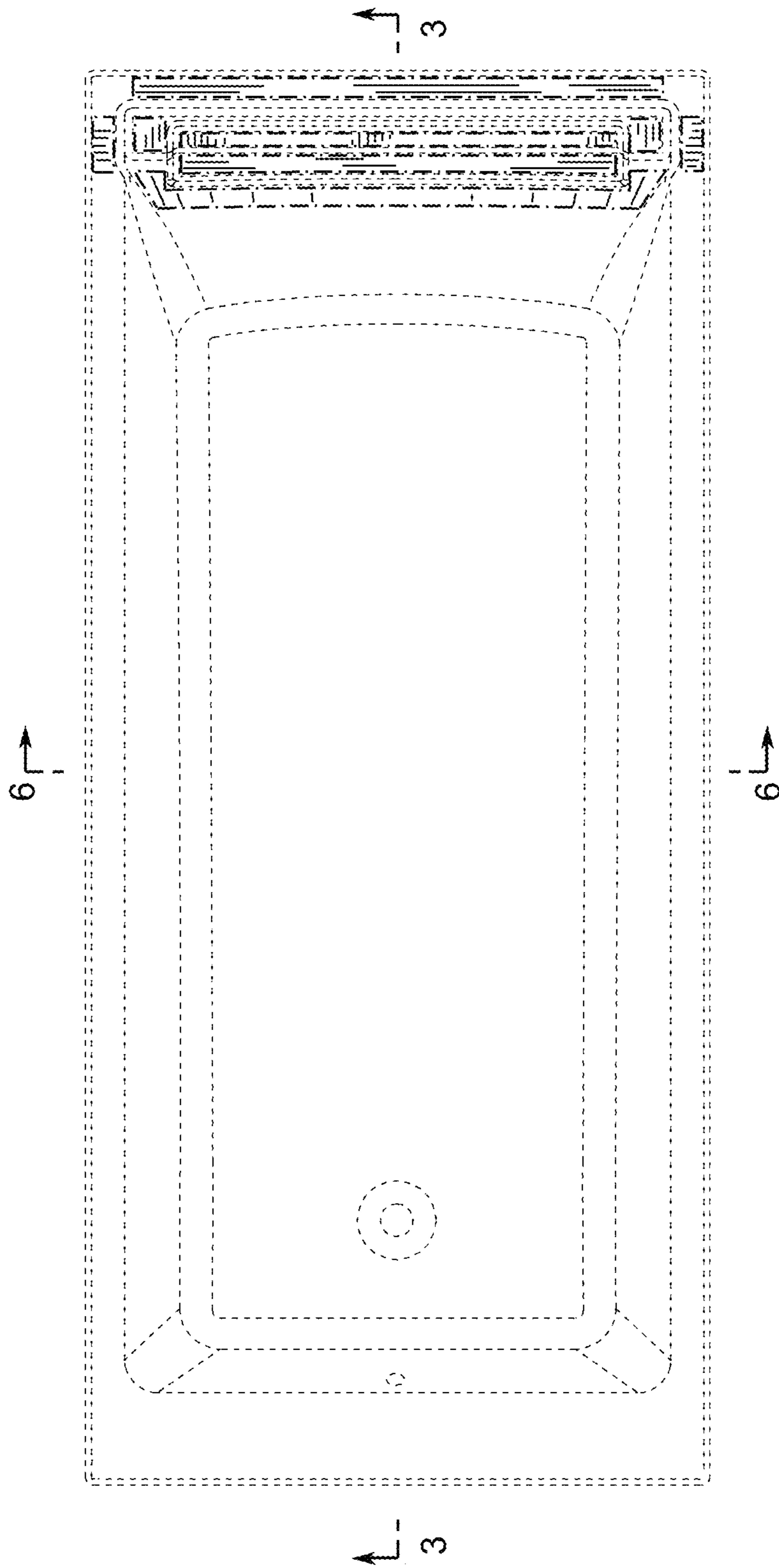


FIG. 2

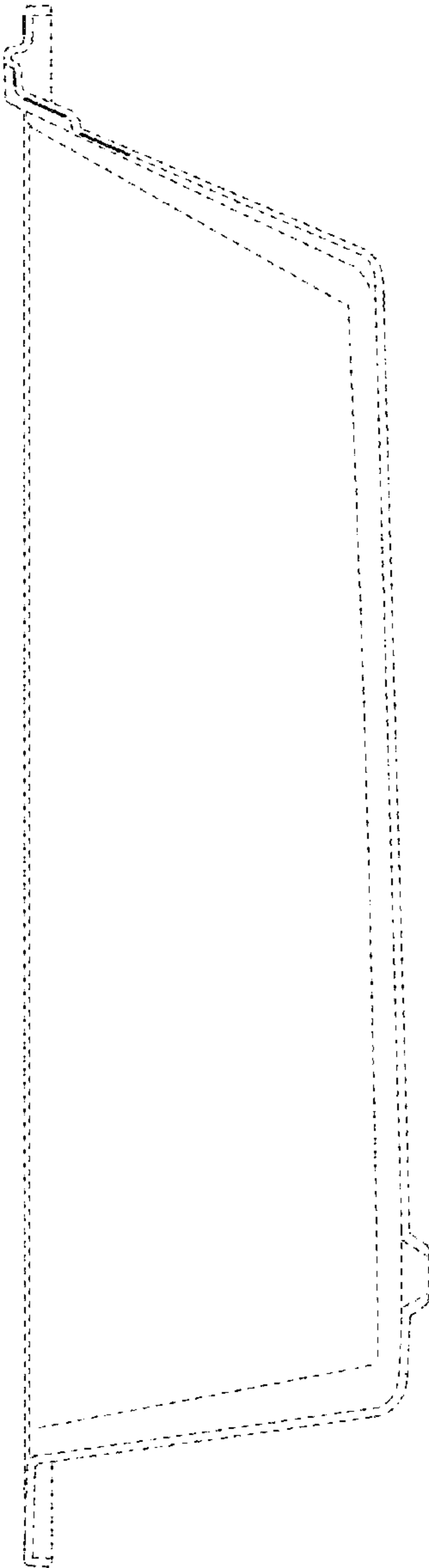


FIG. 3

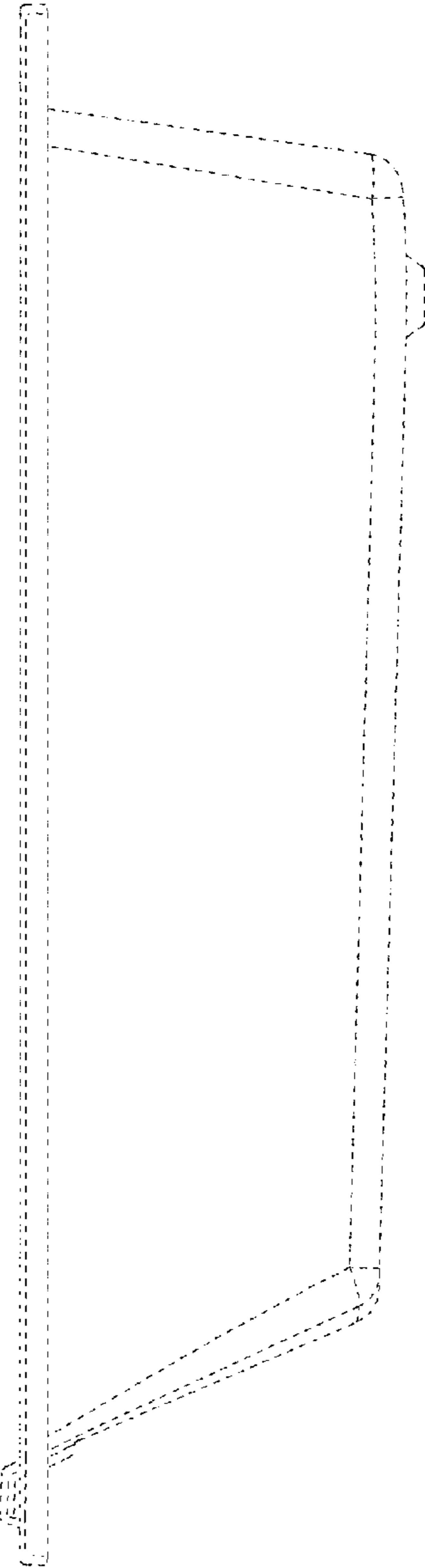


FIG. 4

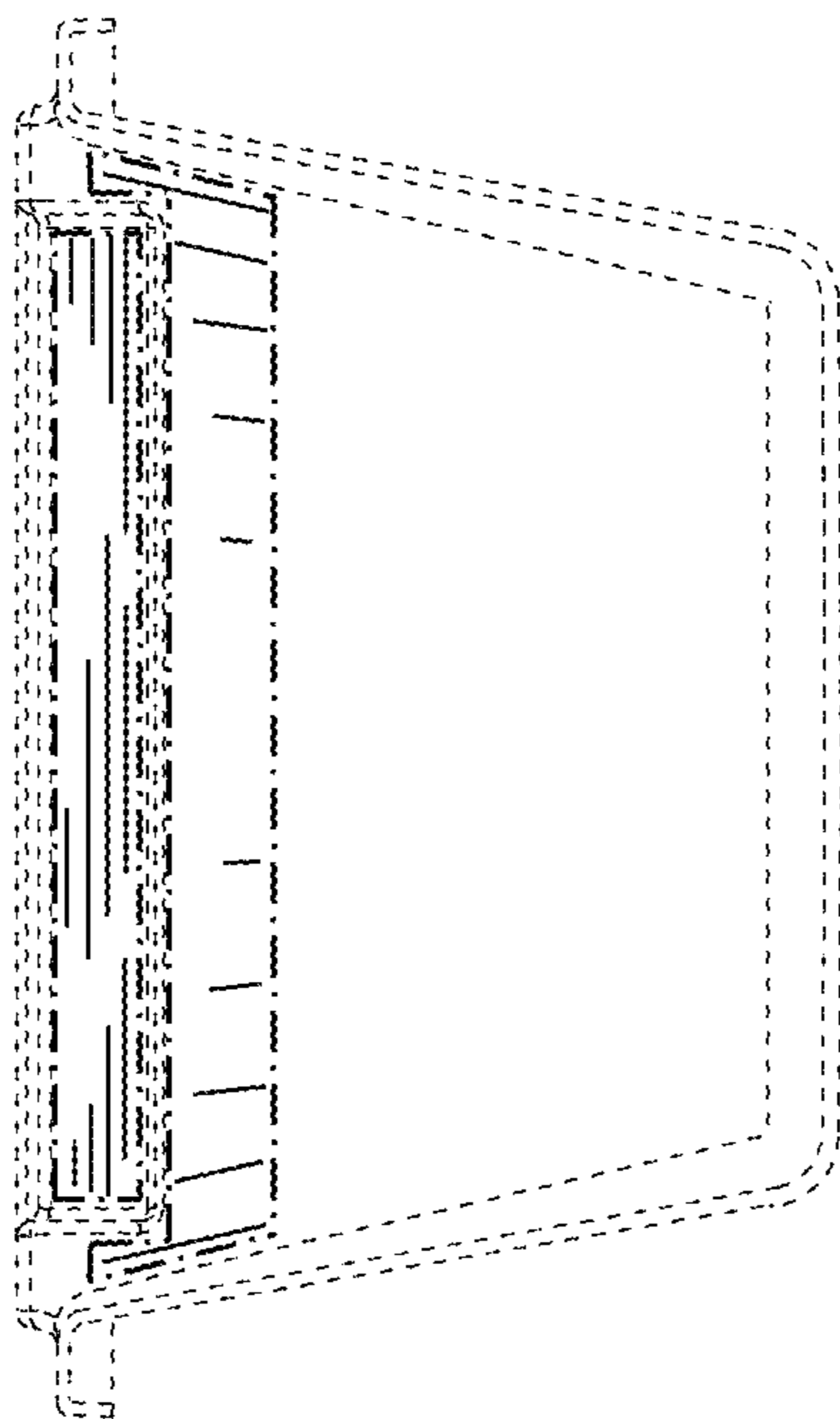


FIG. 5

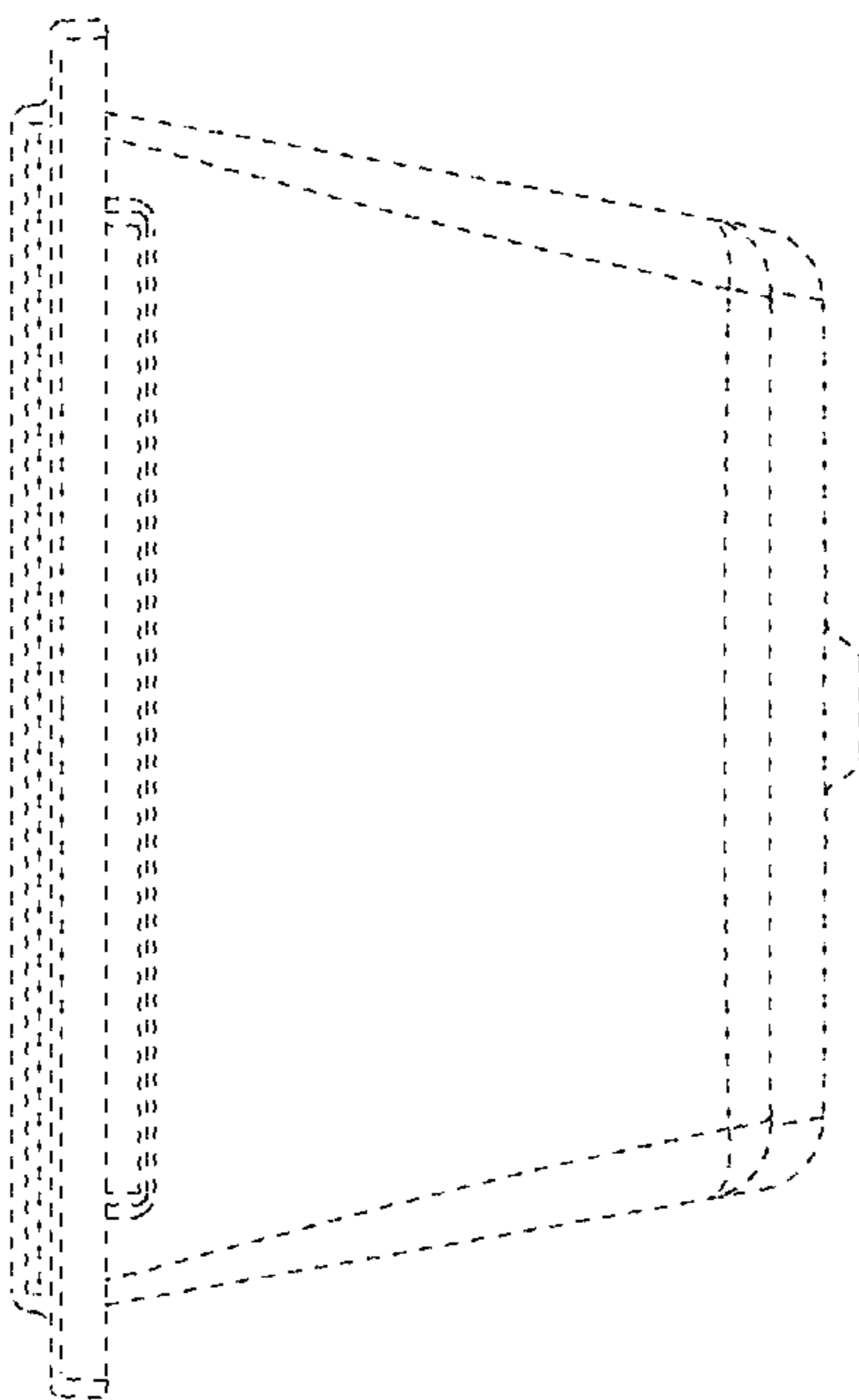


FIG. 6

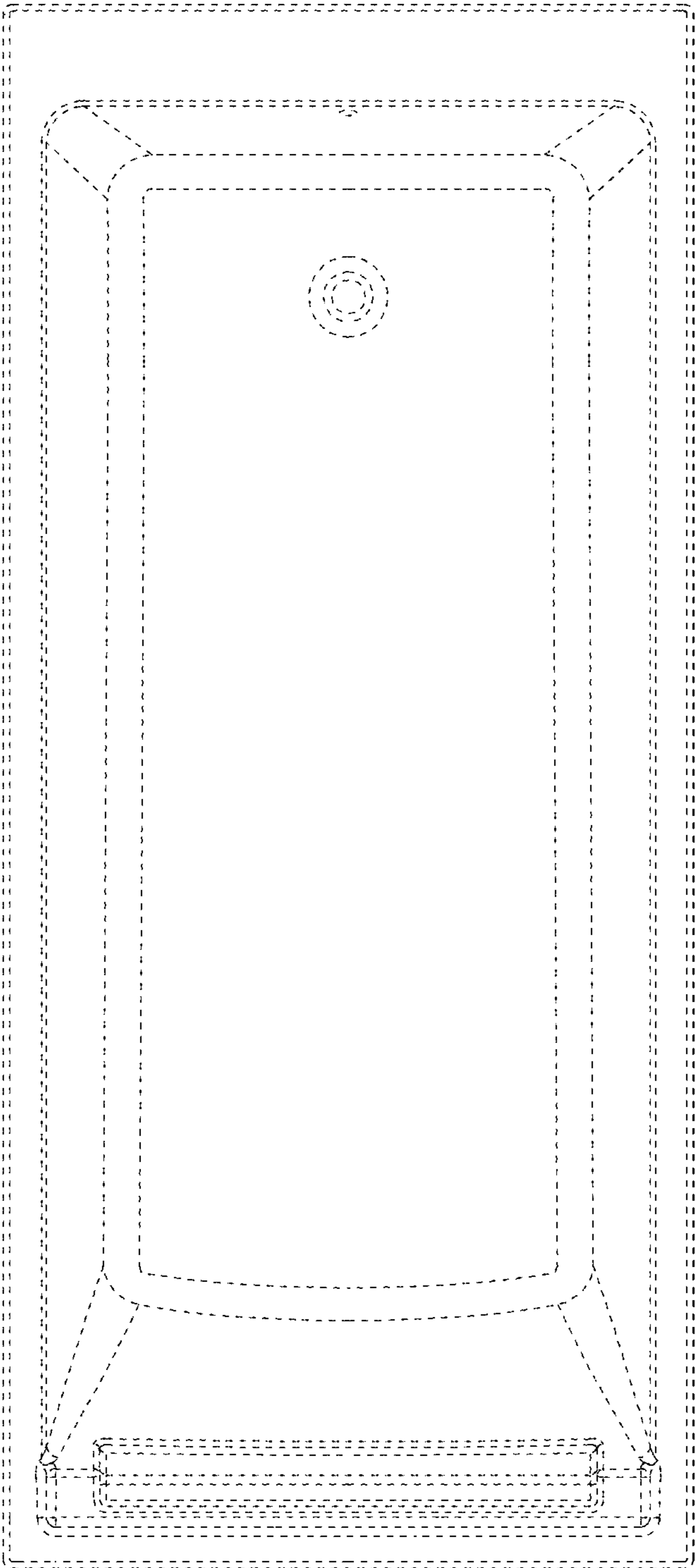


FIG. 7

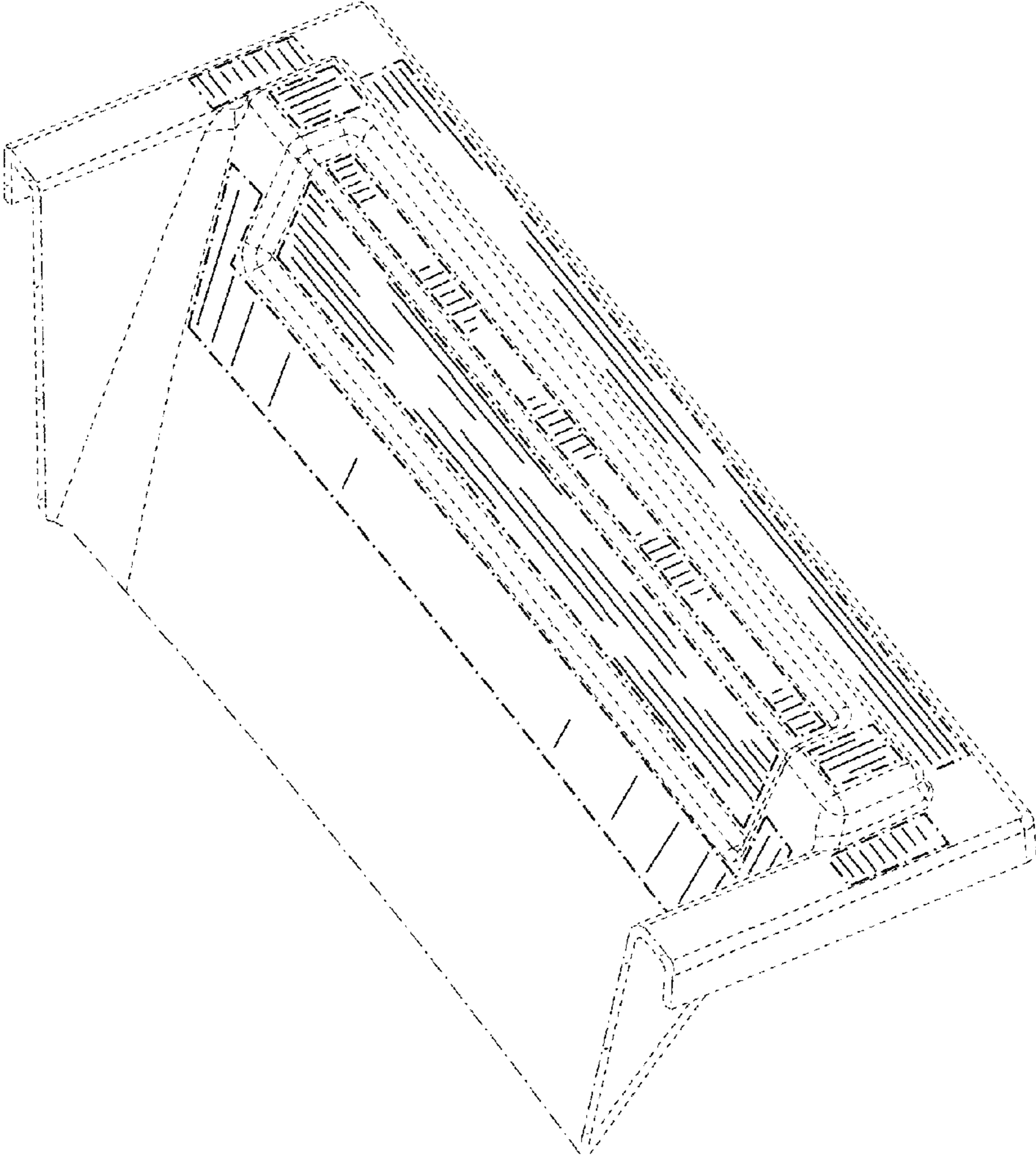
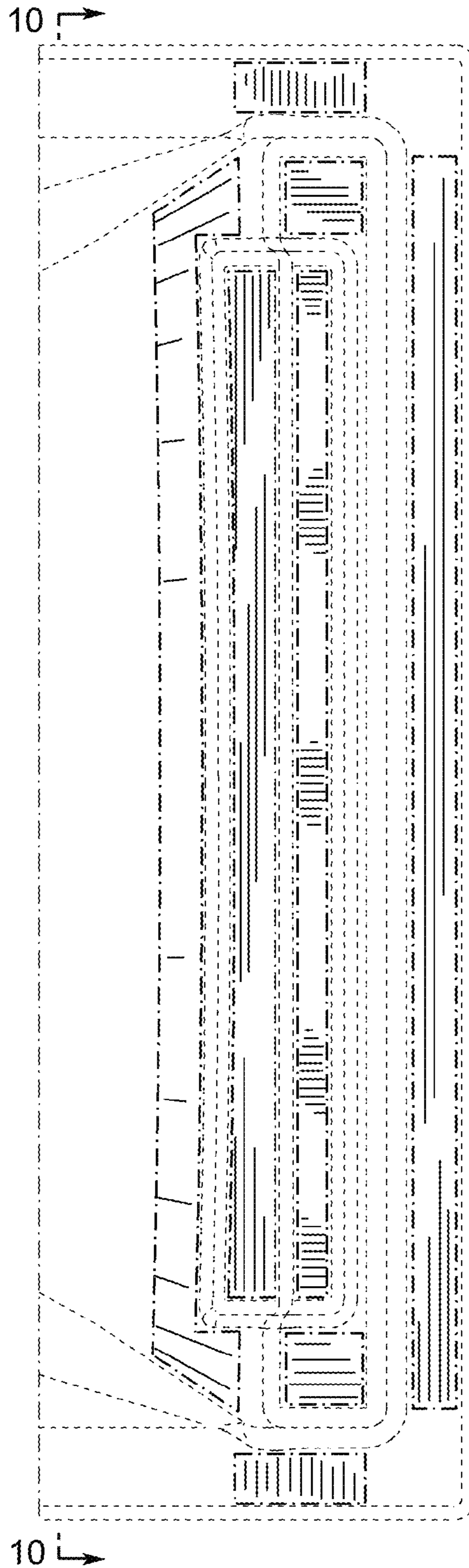


FIG. 8

FIG. 9



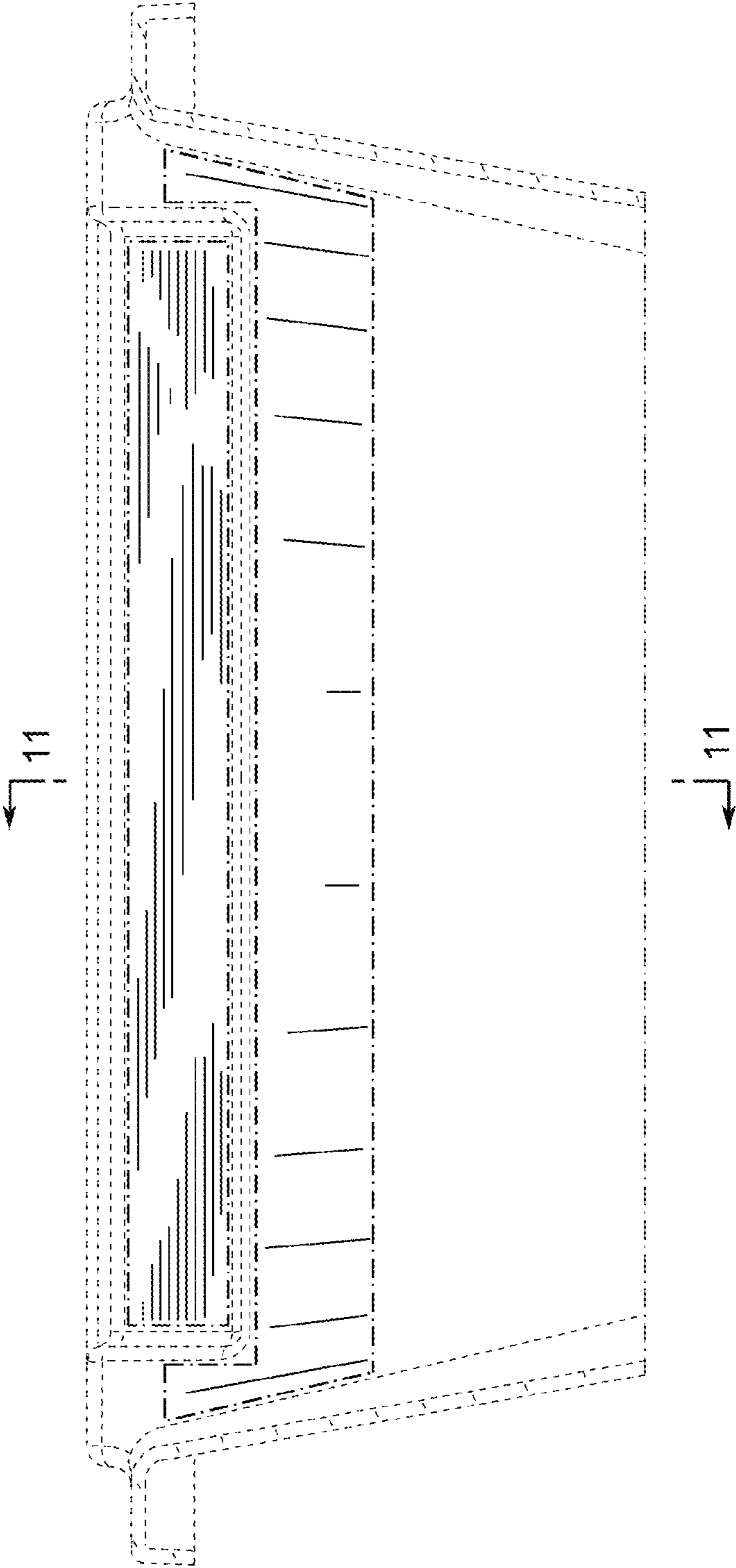


FIG. 10

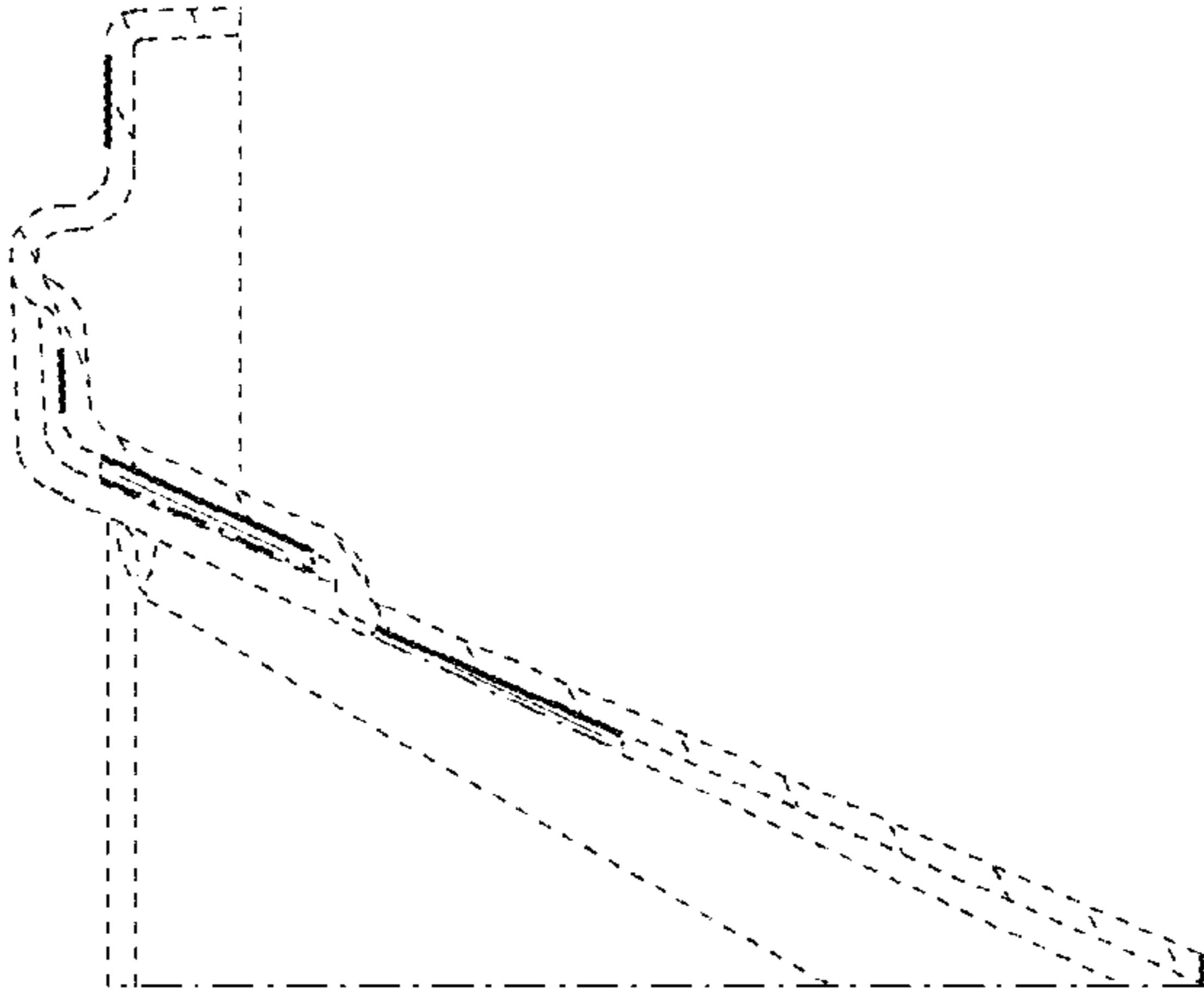


FIG. 11

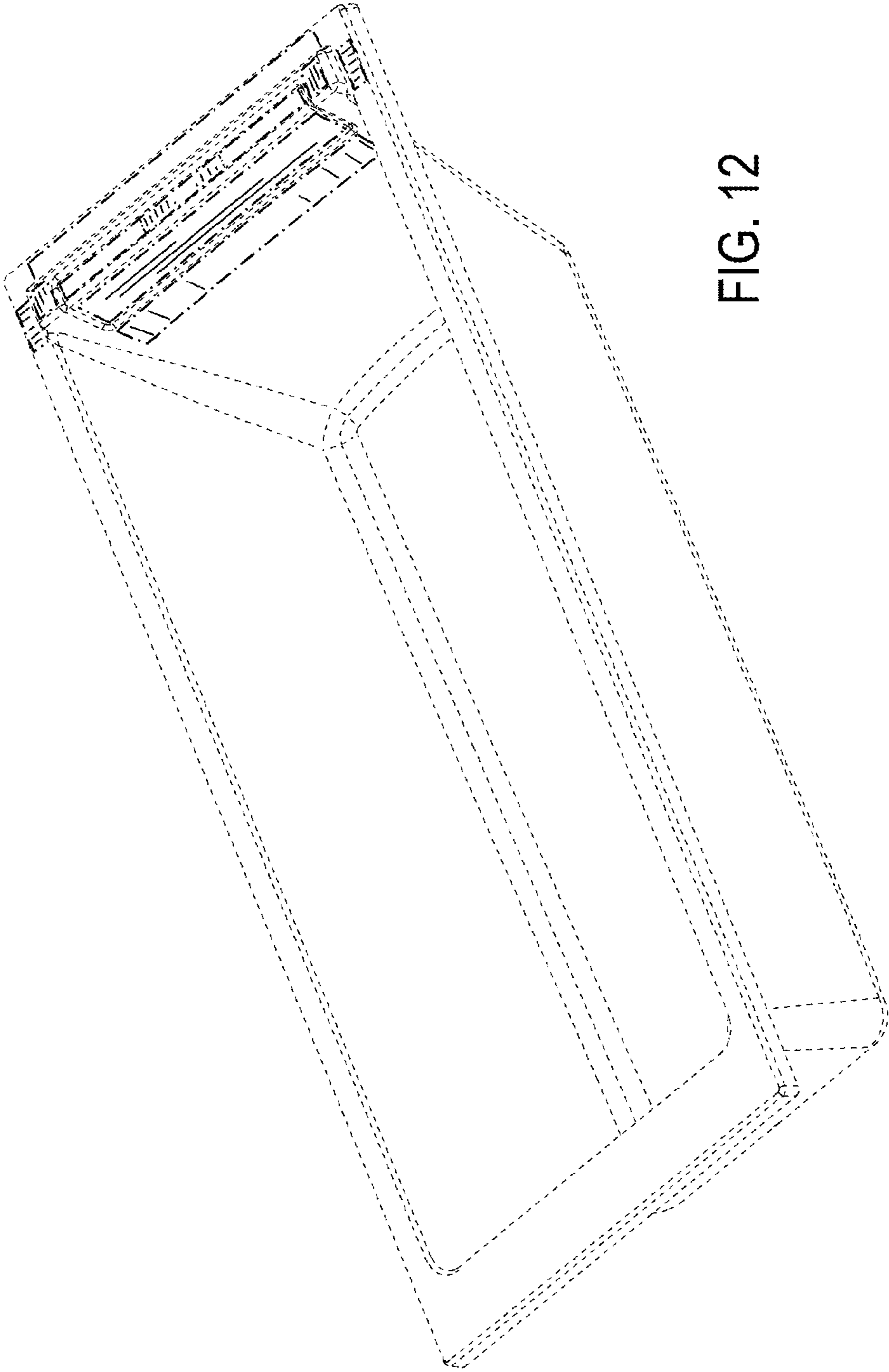


FIG. 12

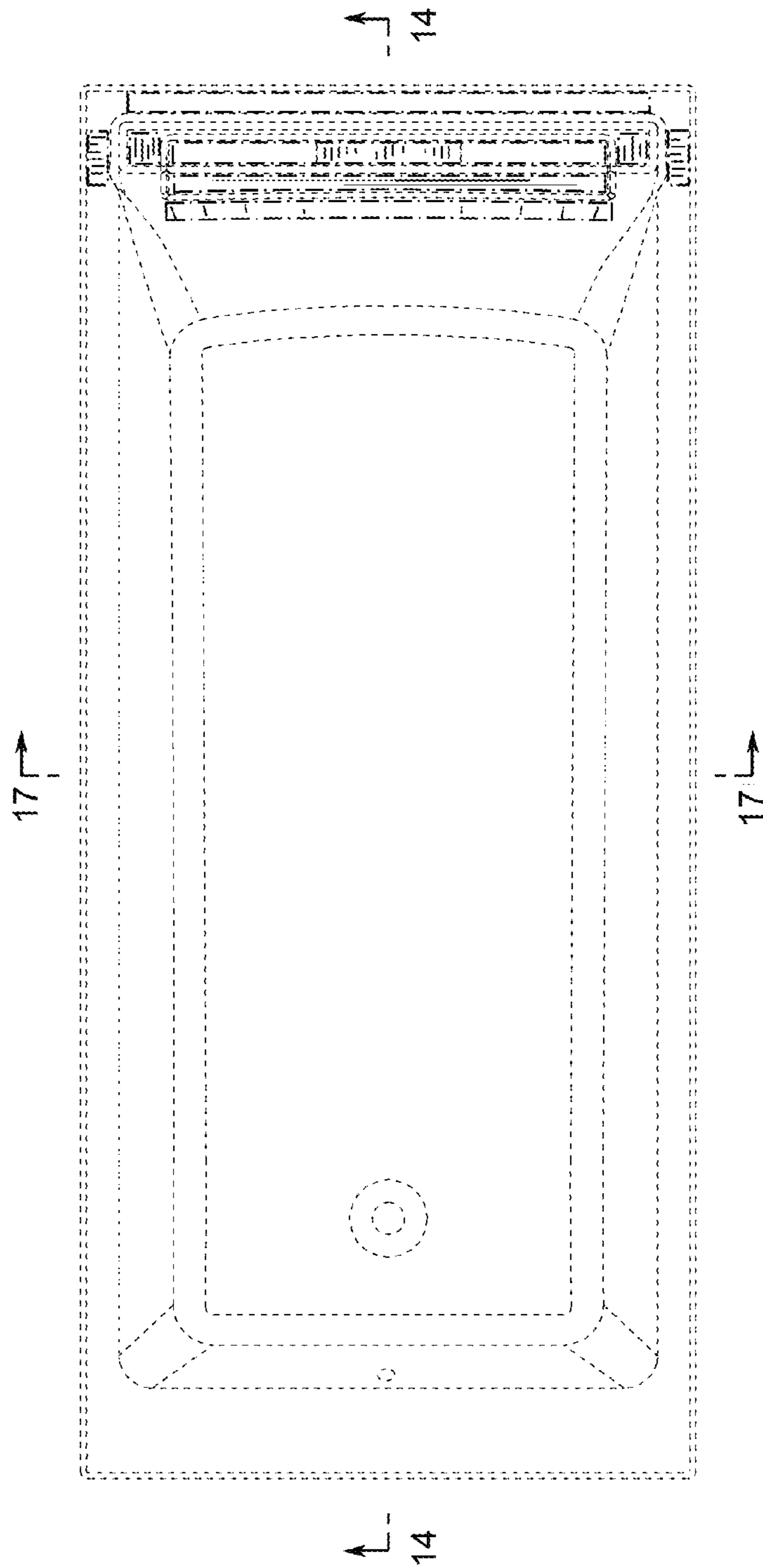


FIG. 13

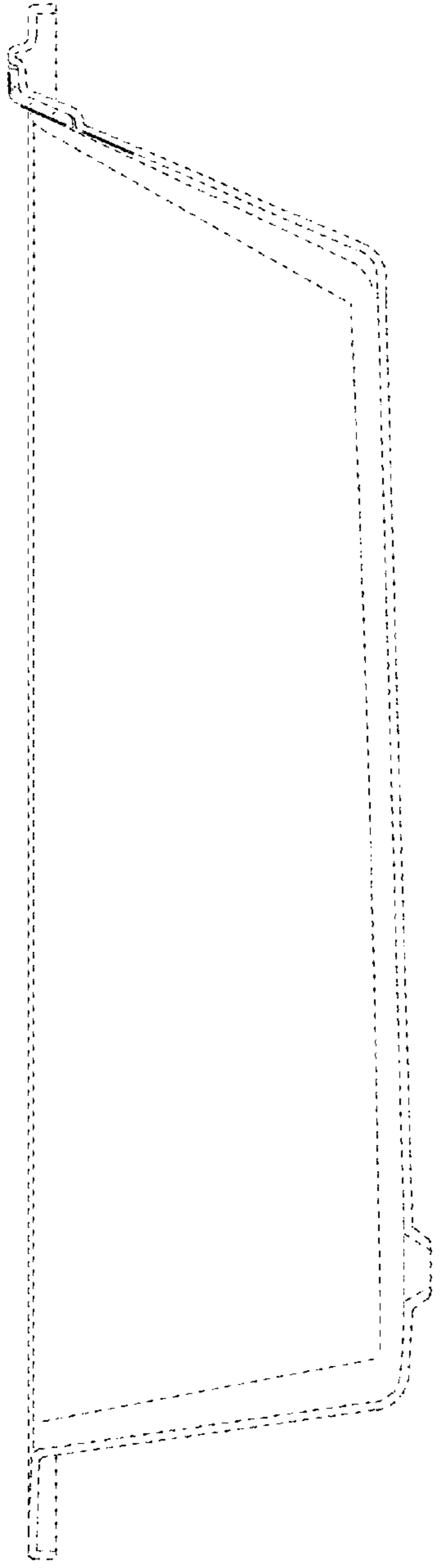


FIG. 14

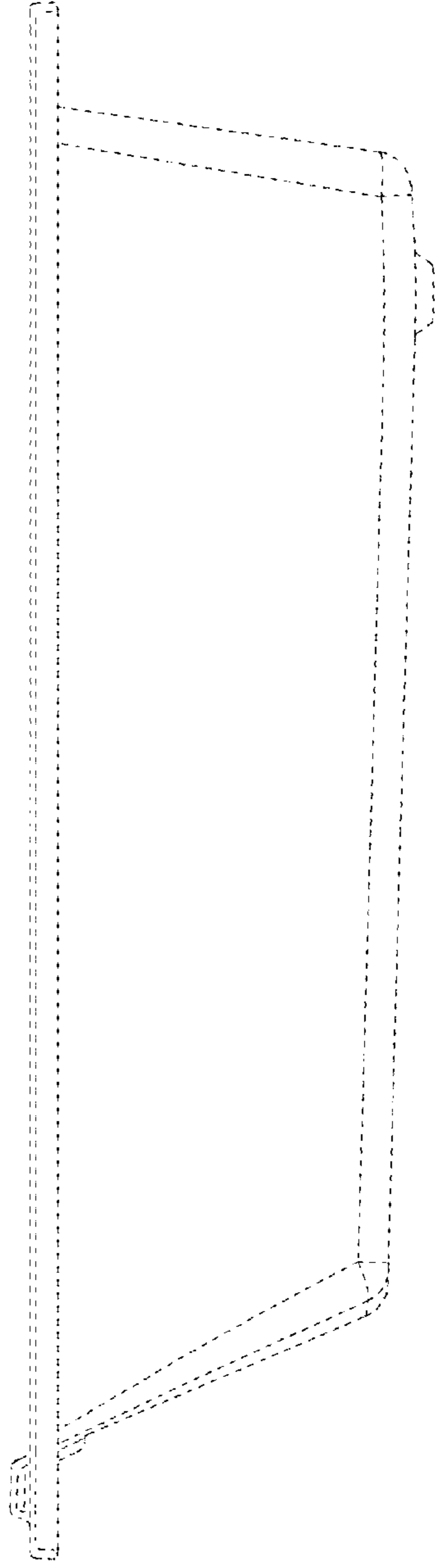


FIG. 15

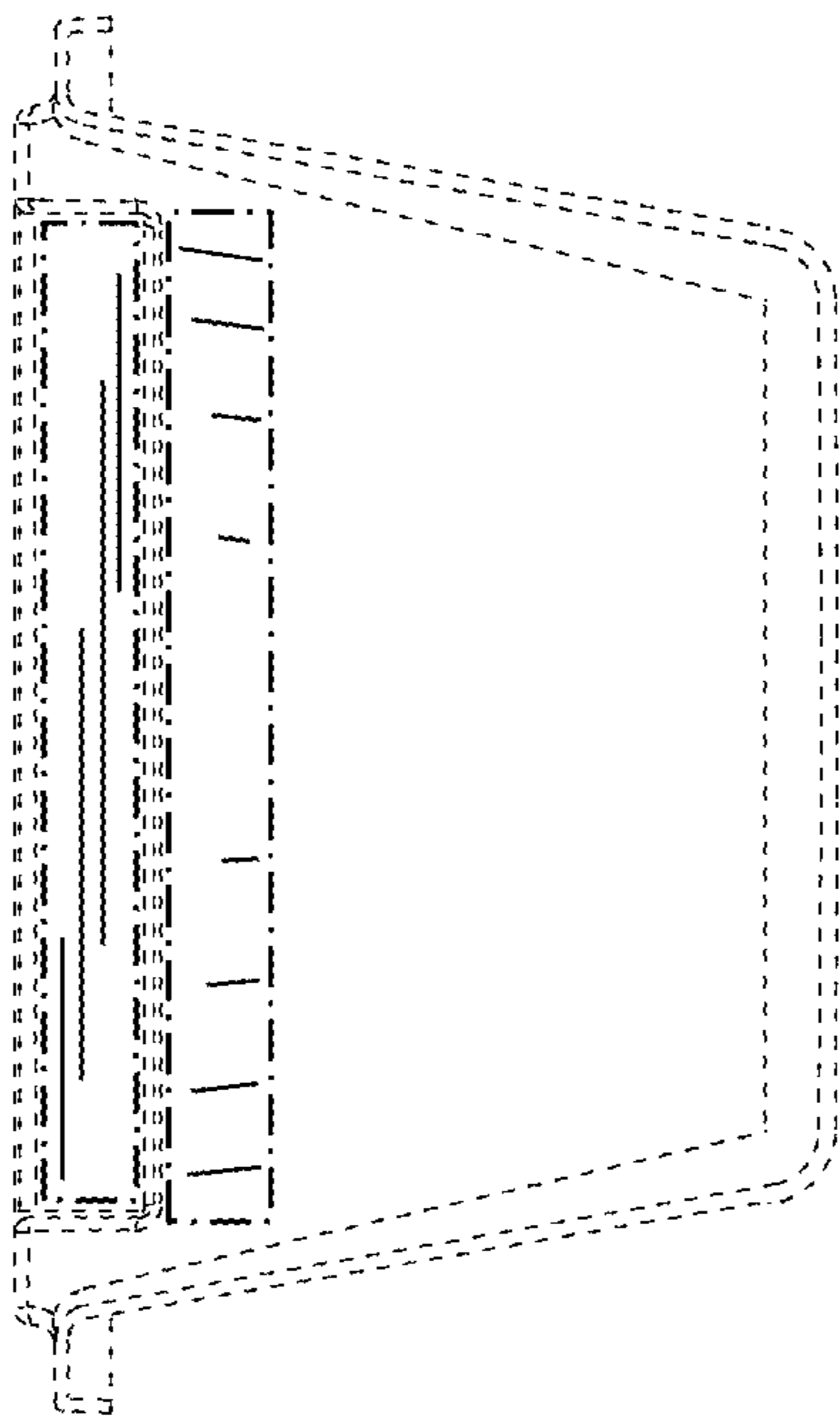


FIG. 17

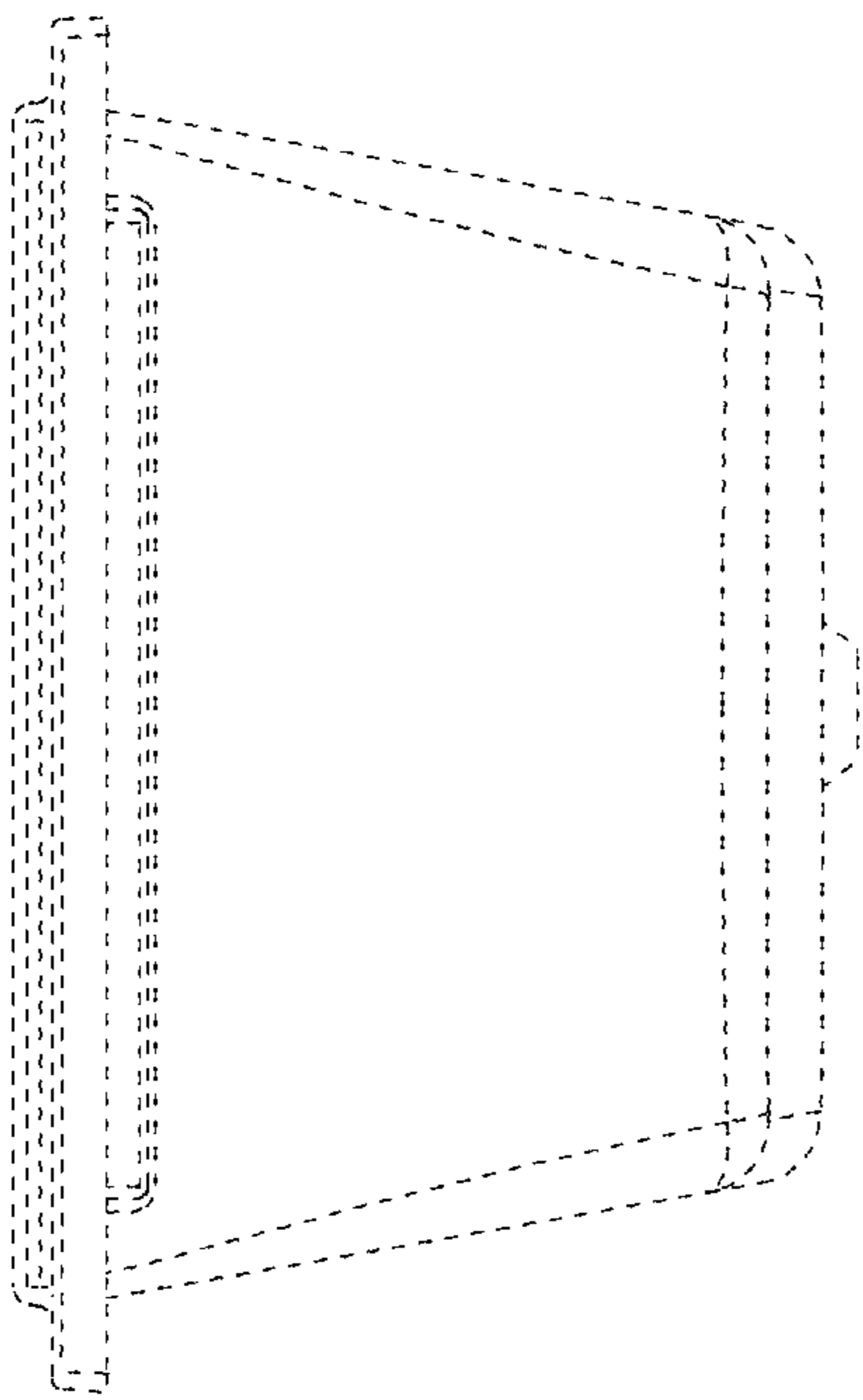


FIG. 16

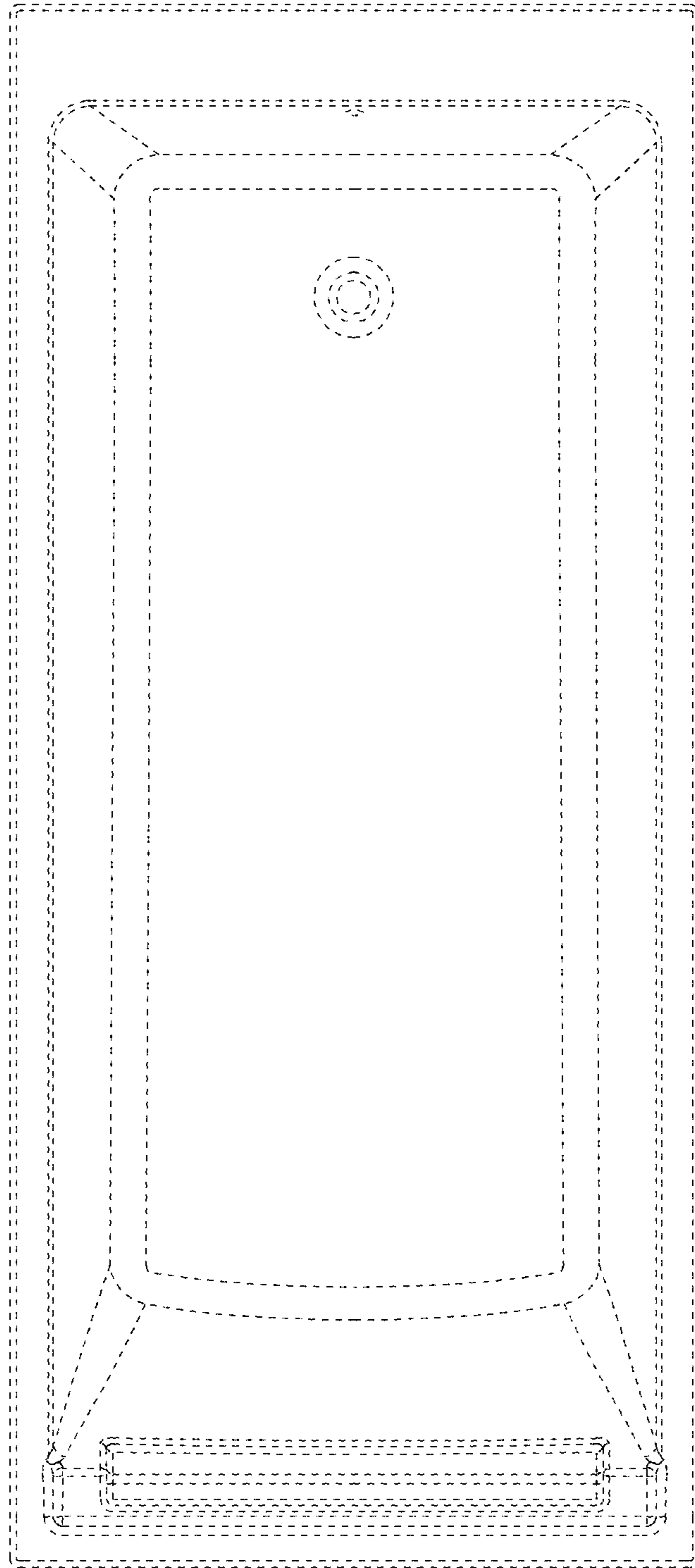


FIG. 18

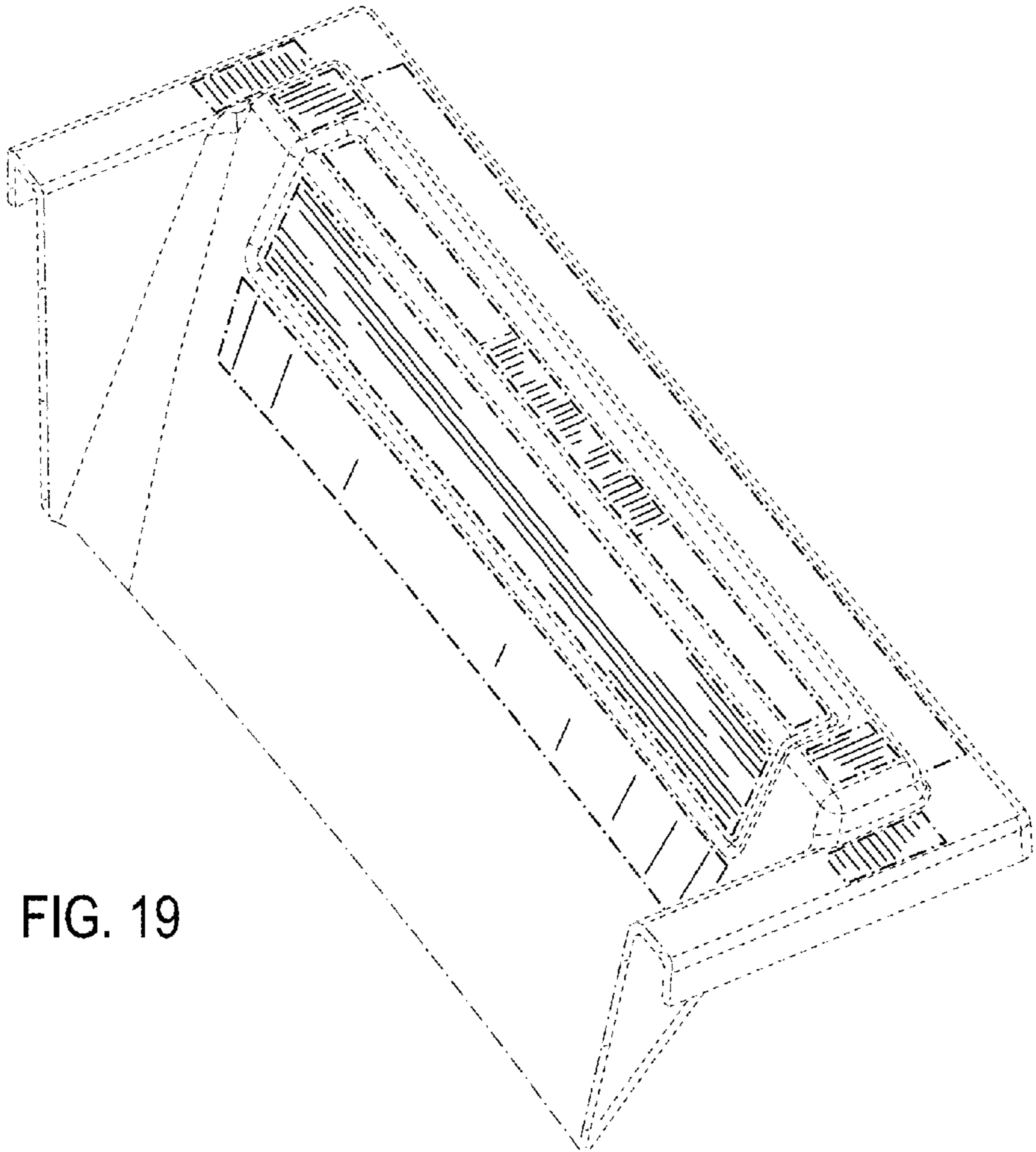
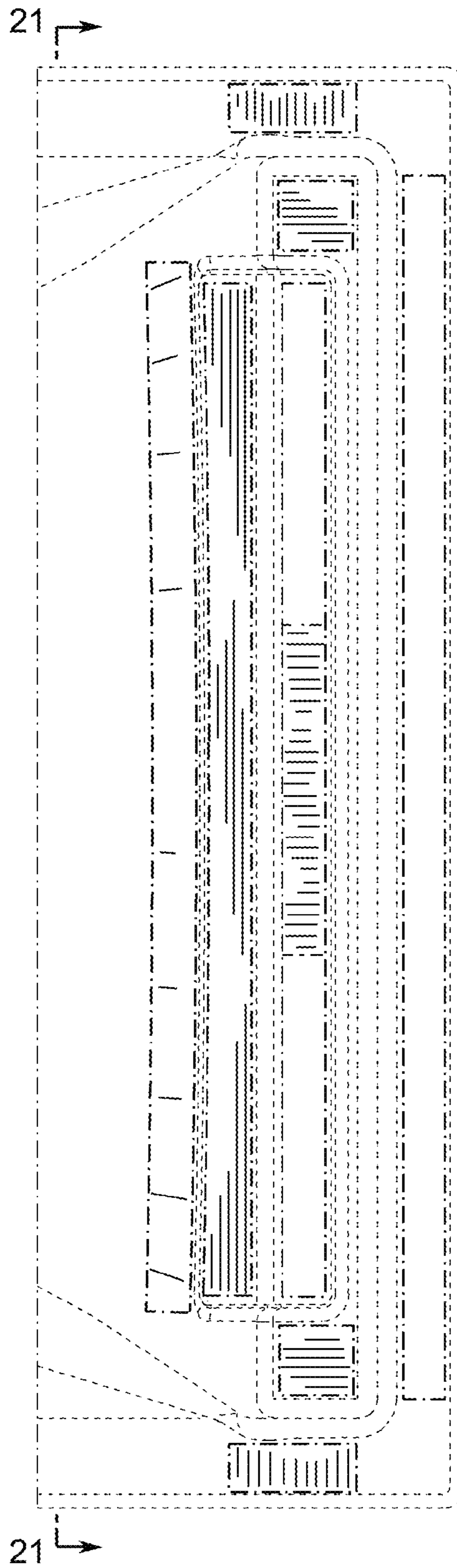


FIG. 19

FIG. 20



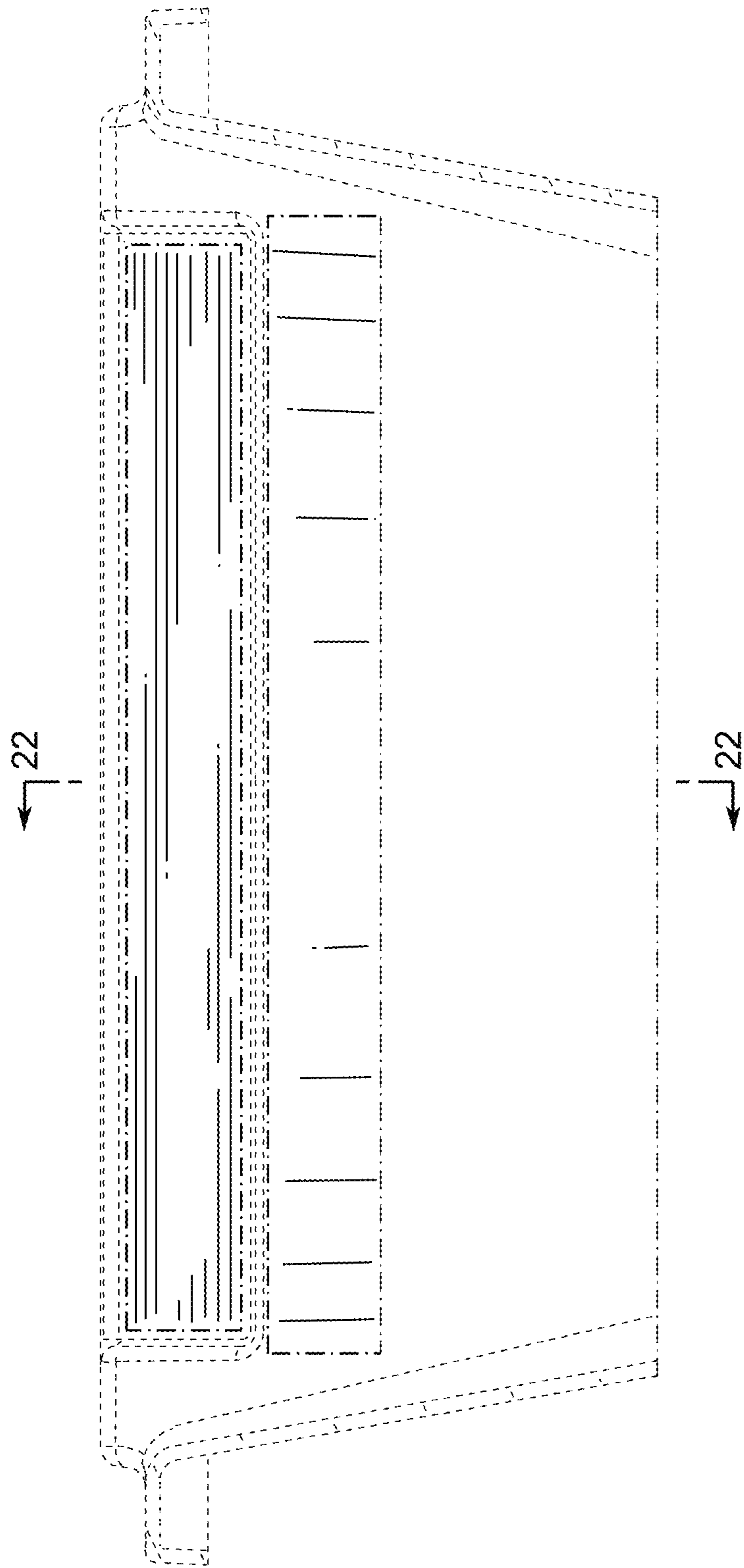


FIG. 21

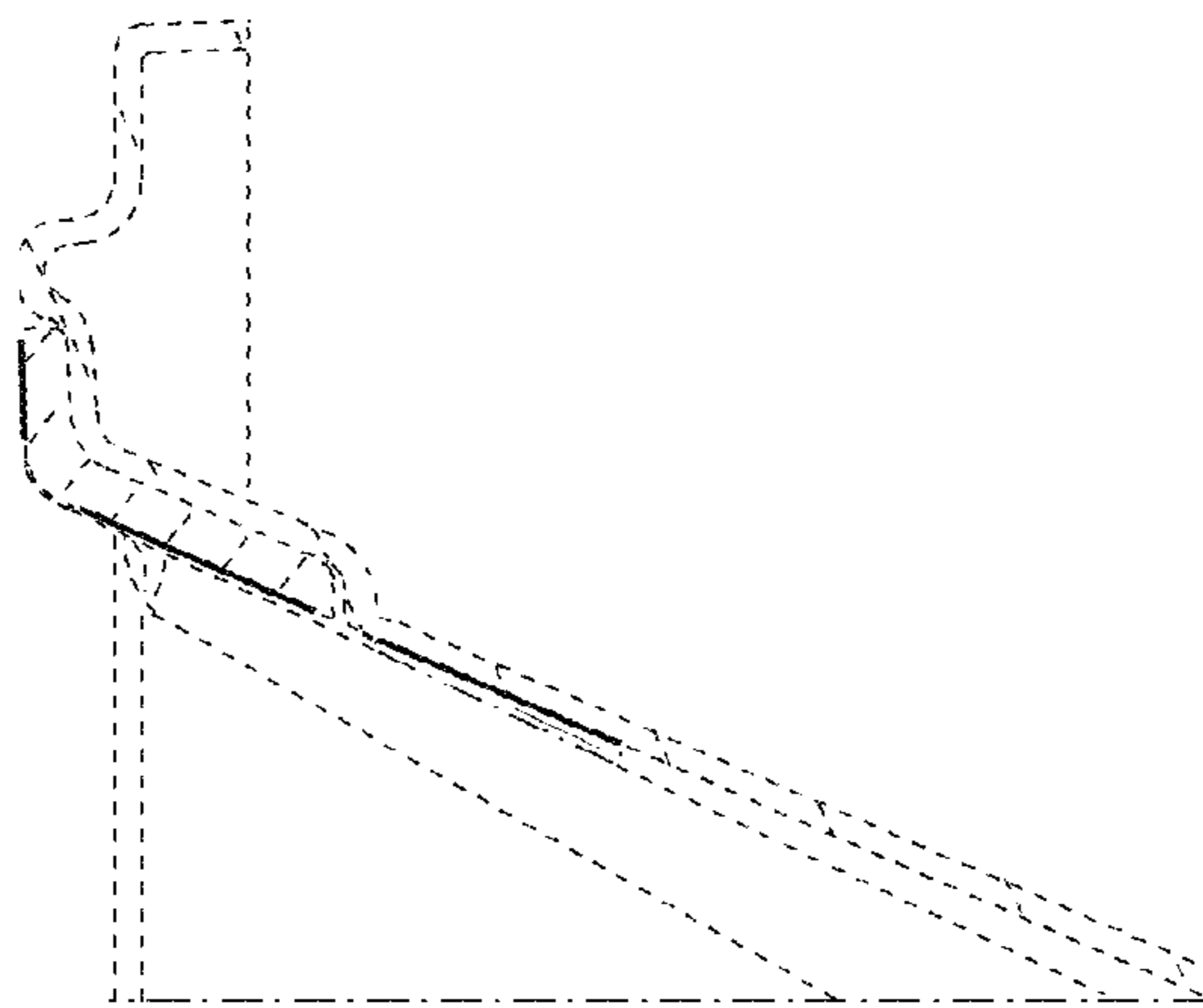


FIG. 22