



US00D698904S

(12) **United States Design Patent**
Milligan et al.

(10) **Patent No.:** **US D698,904 S**

(45) **Date of Patent:** **** Feb. 4, 2014**

(54) **VACUUM FLANGE RING**

(75) Inventors: **Robert Brennan Milligan**, Gold Canyon, AZ (US); **Michael Halpin**, Scottsdale, AZ (US)

(73) Assignee: **ASM IP Holding B.V.**, Almere (NL)

(**) Term: **14 Years**

(21) Appl. No.: **29/412,887**

(22) Filed: **Feb. 8, 2012**

(51) **LOC (10) Cl.** **23-01**

(52) **U.S. Cl.**
USPC **D23/259**; D23/262

(58) **Field of Classification Search**
USPC D23/259, 262; 285/81, 342; 210/232,
210/468; 439/500

See application file for complete search history.

(56) **References Cited**

U.S. PATENT DOCUMENTS

5,954,375	A *	9/1999	Trickle et al.	285/342
6,073,973	A *	6/2000	Boscaljon et al.	285/81
6,913,152	B2 *	7/2005	Zuk, Jr.	210/406
7,623,940	B2 *	11/2009	Huskamp et al.	700/154
D651,291	S *	12/2011	Liebson et al.	D23/262
8,110,099	B2 *	2/2012	Hersey et al.	210/170.03
2004/0253867	A1 *	12/2004	Matsumoto	439/500
2009/0236276	A1 *	9/2009	Kurth et al.	210/232
2013/0020246	A1 *	1/2013	Hoots et al.	210/232

* cited by examiner

Primary Examiner — Eric Goodman

(74) *Attorney, Agent, or Firm* — Snell & Wilmer LLP

(57) **CLAIM**

The ornamental design for a vacuum flange ring, as shown and described.

DESCRIPTION

FIG. 1 is a perspective view showing a first embodiment of a vacuum flange ring;

FIG. 2 is a top view thereof;

FIG. 3 is a first side view thereof;

FIG. 4 is a second side view thereof;

FIG. 5 is a bottom view thereof;

FIG. 6 is a perspective view showing a second embodiment of a vacuum flange ring;

FIG. 7 is a top view thereof;

FIG. 8 is a first side view thereof;

FIG. 9 is a second side view thereof;

FIG. 10 is a bottom view thereof;

FIG. 11 is a perspective view showing a third embodiment of a vacuum flange ring;

FIG. 12 is a top view thereof;

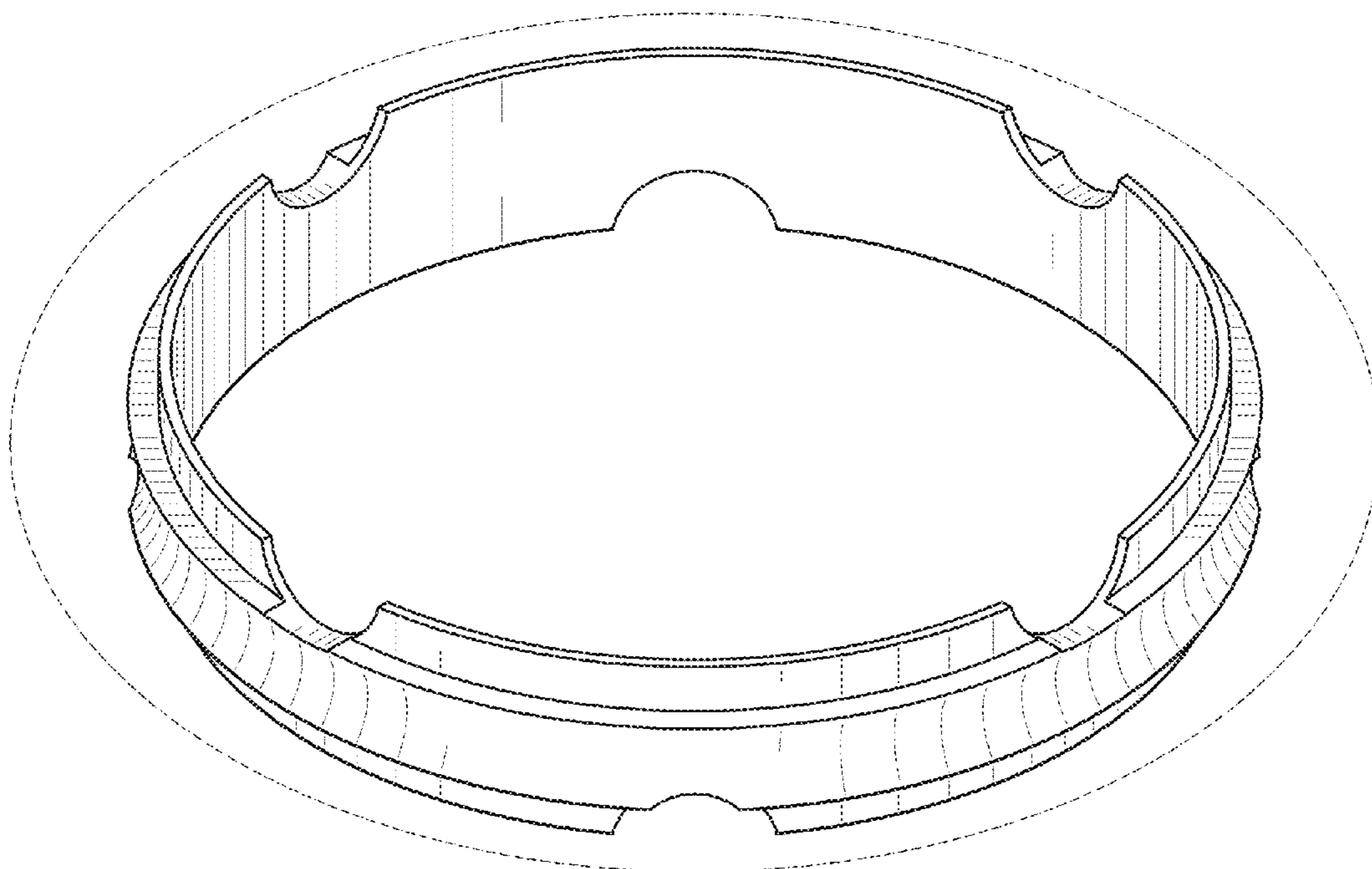
FIG. 13 is a first side view thereof;

FIG. 14 is a second side view thereof; and,

FIG. 15 is a bottom view thereof.

The ornamental design which is claimed is shown in solid lines in the drawings. Any broken lines in the drawings are for illustrative purposes only and form no part of the claimed design.

1 Claim, 9 Drawing Sheets



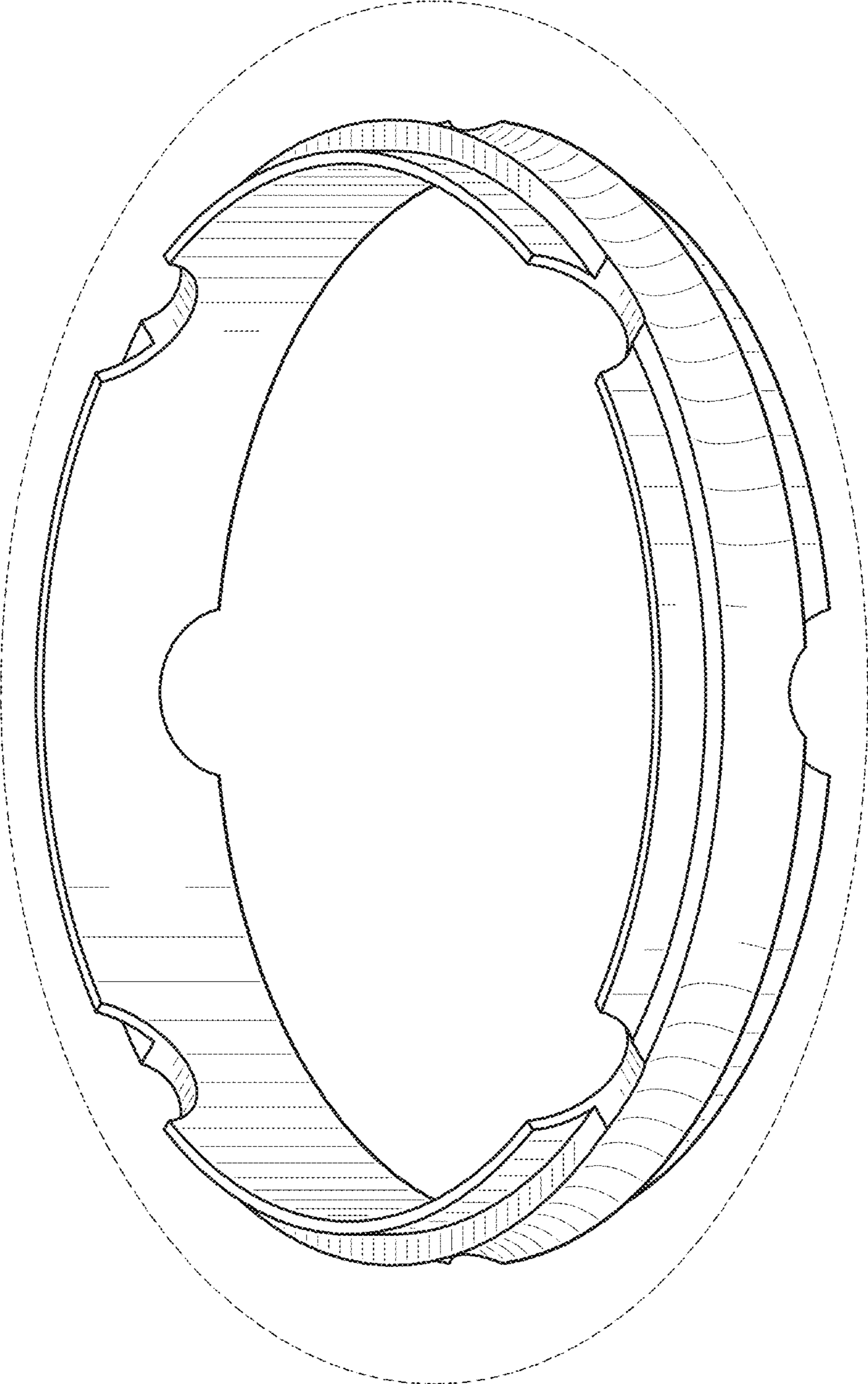


FIG-1

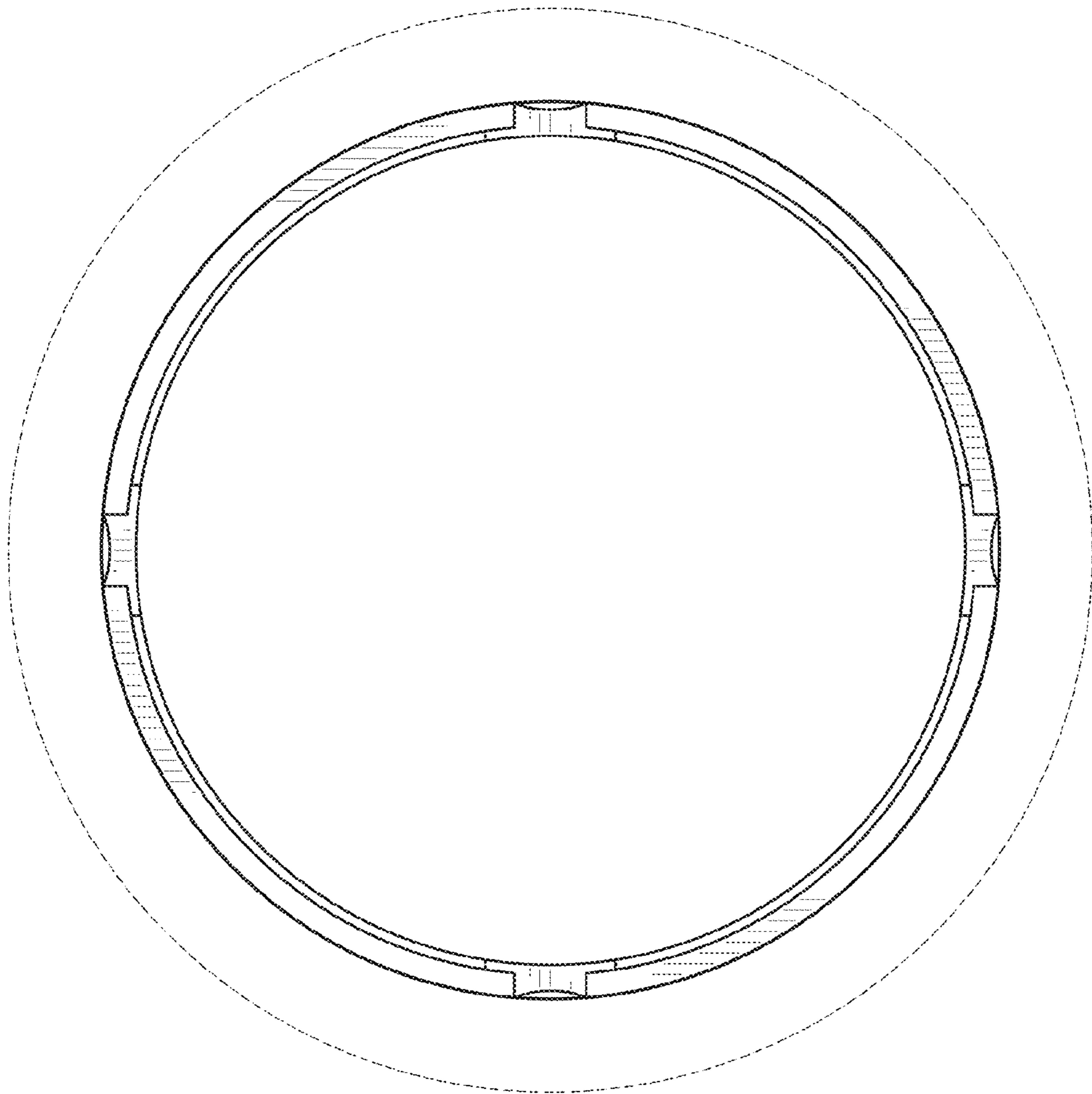


FIG-2

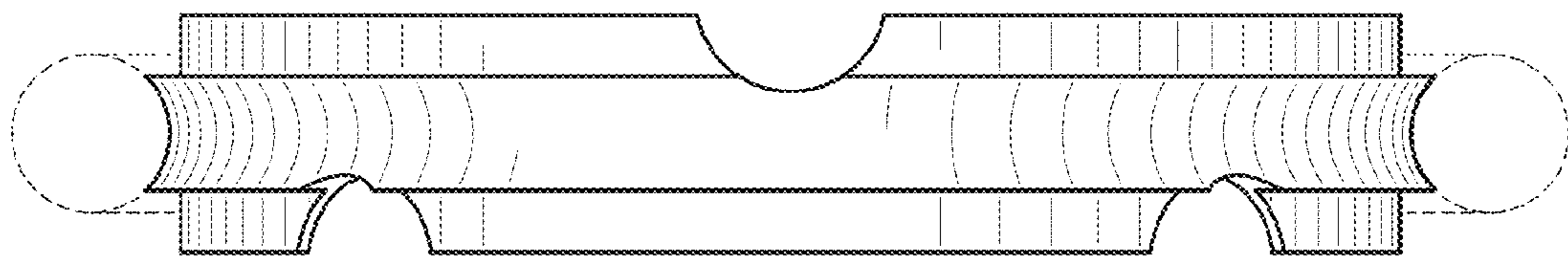


FIG-3

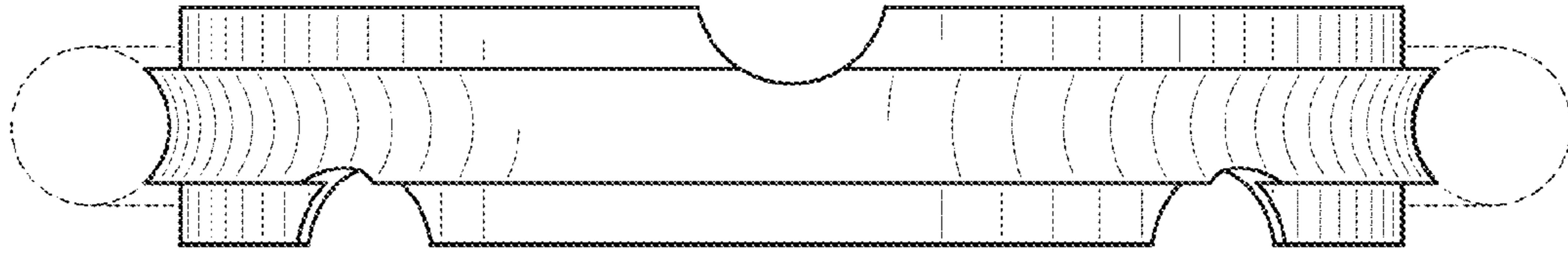


FIG-4

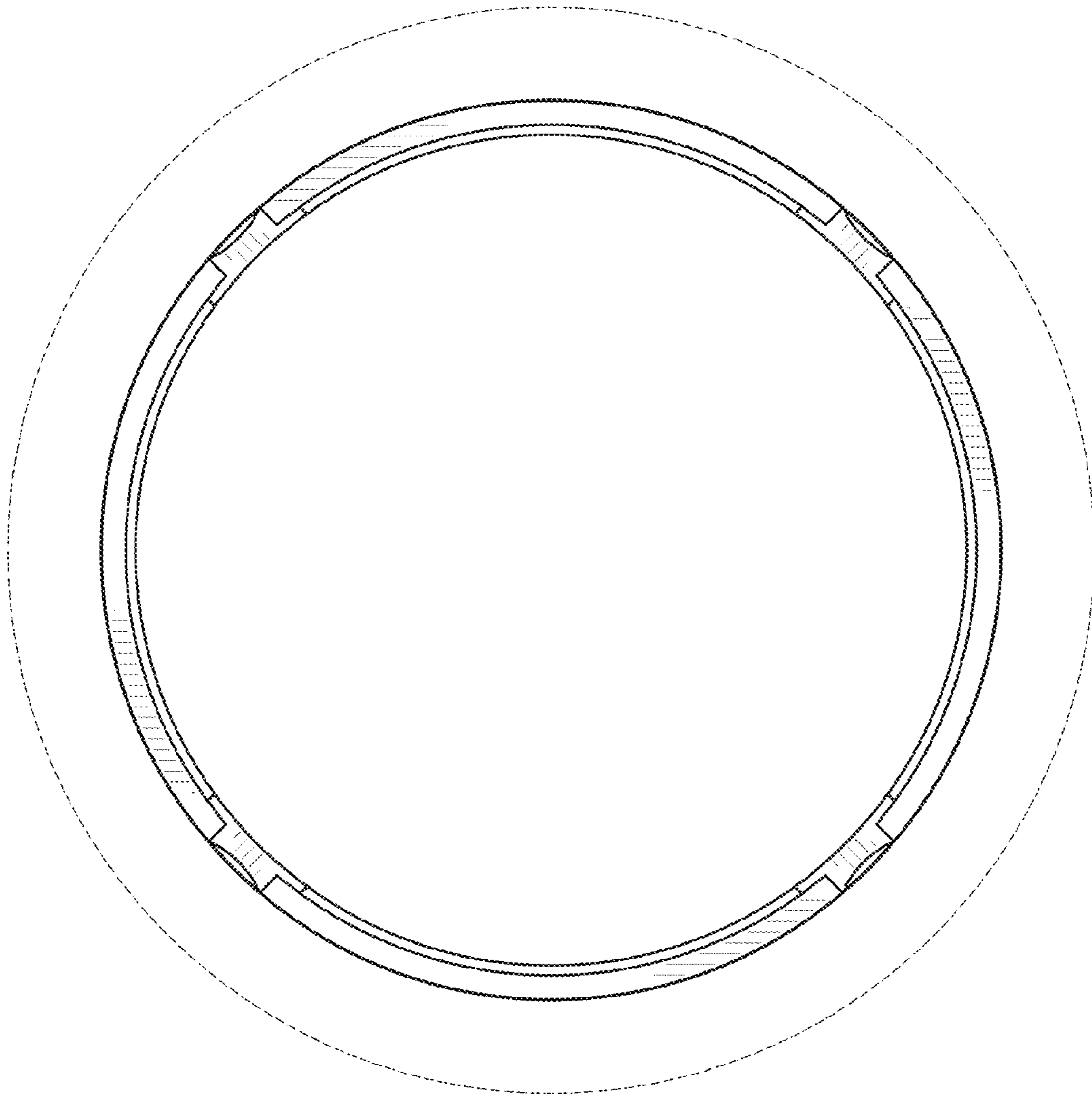


FIG-5

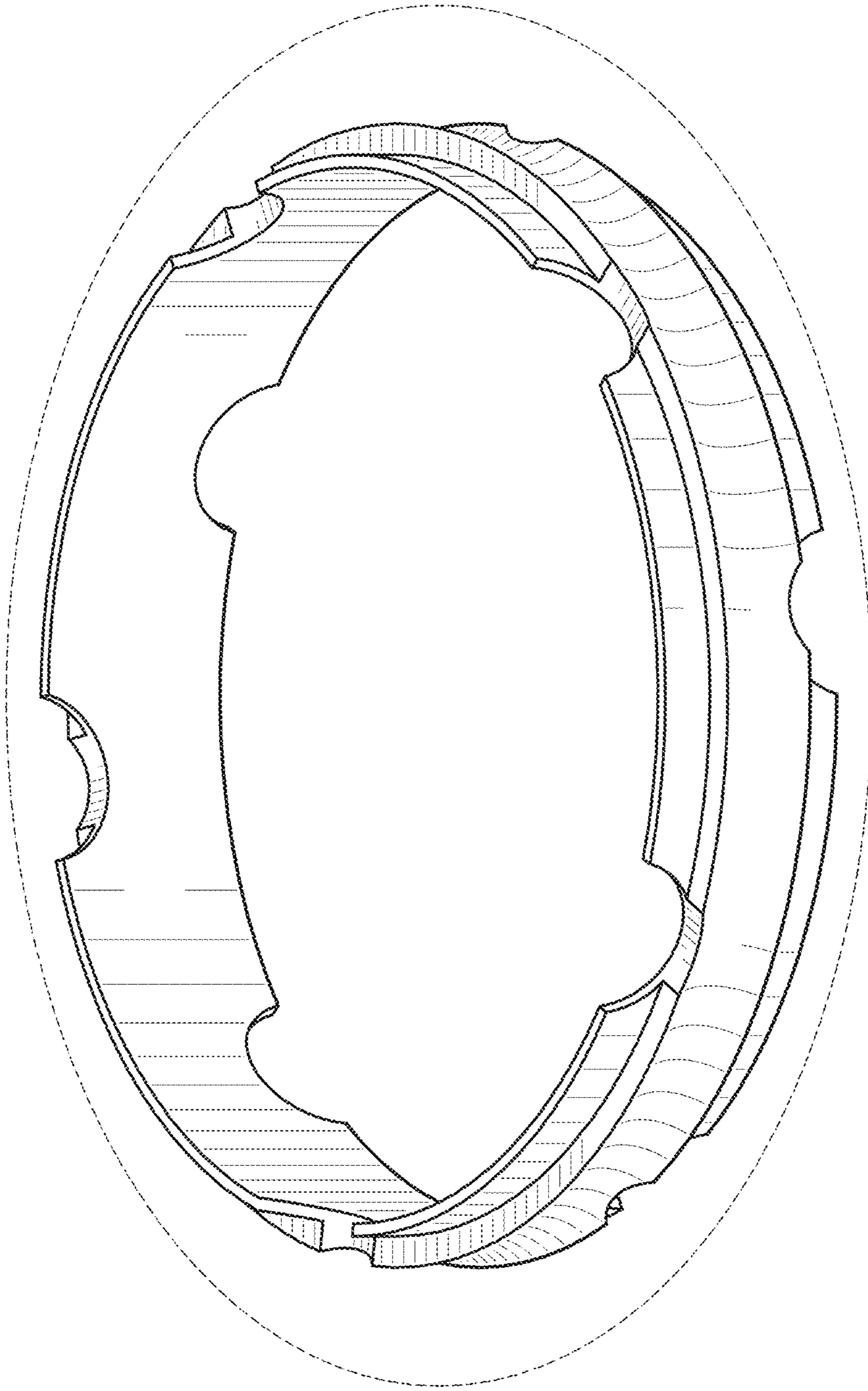


FIG--6

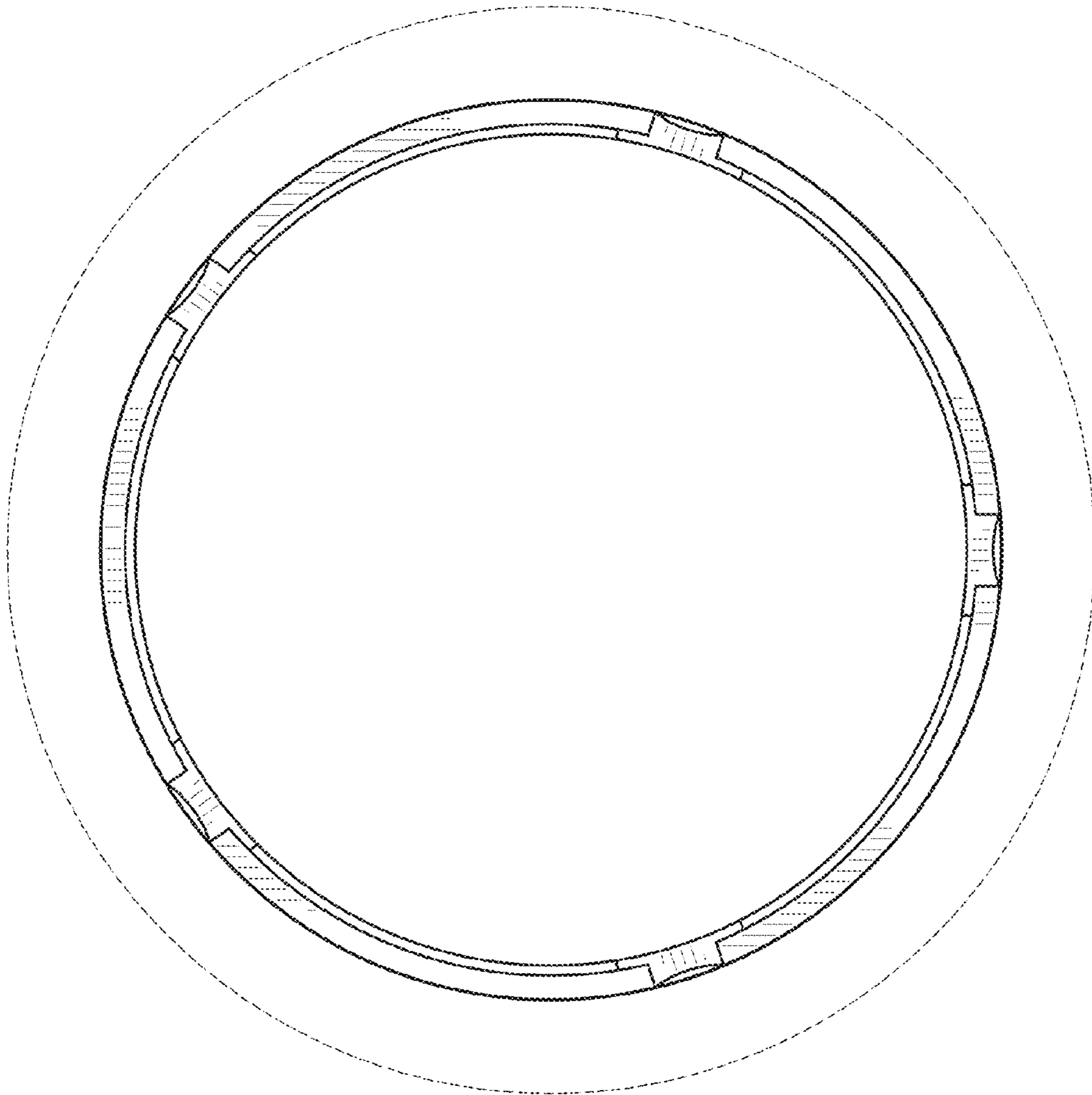


FIG-7

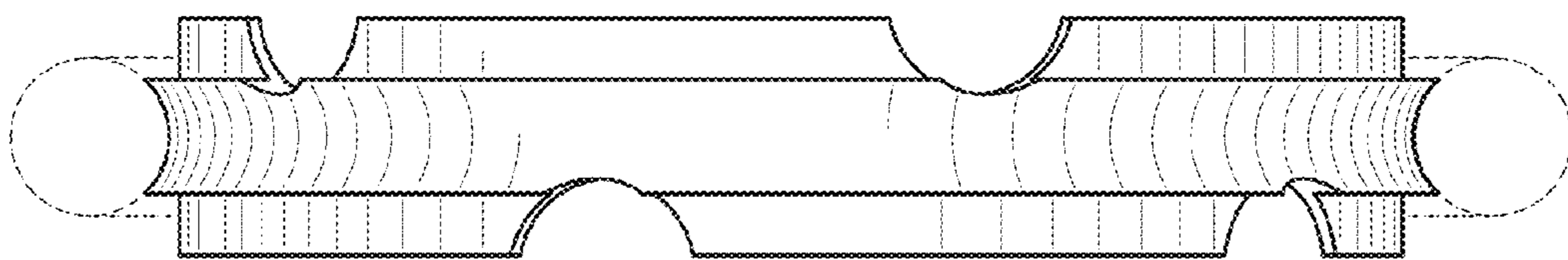


FIG-8

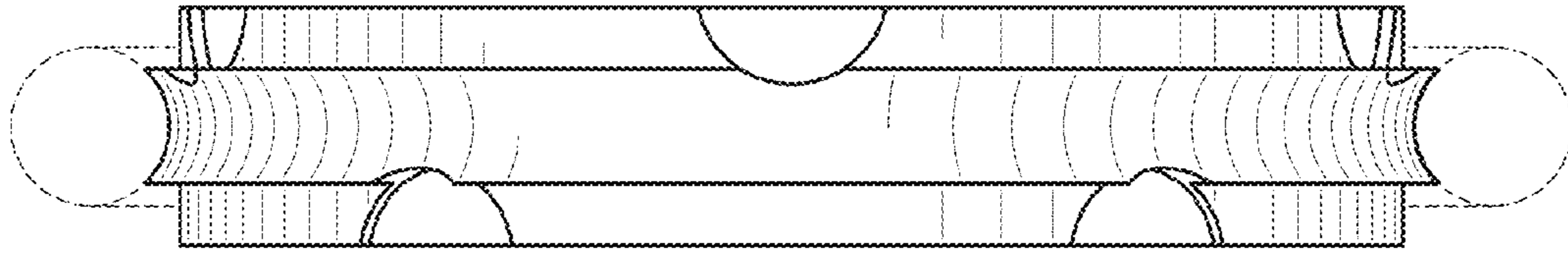


FIG-9

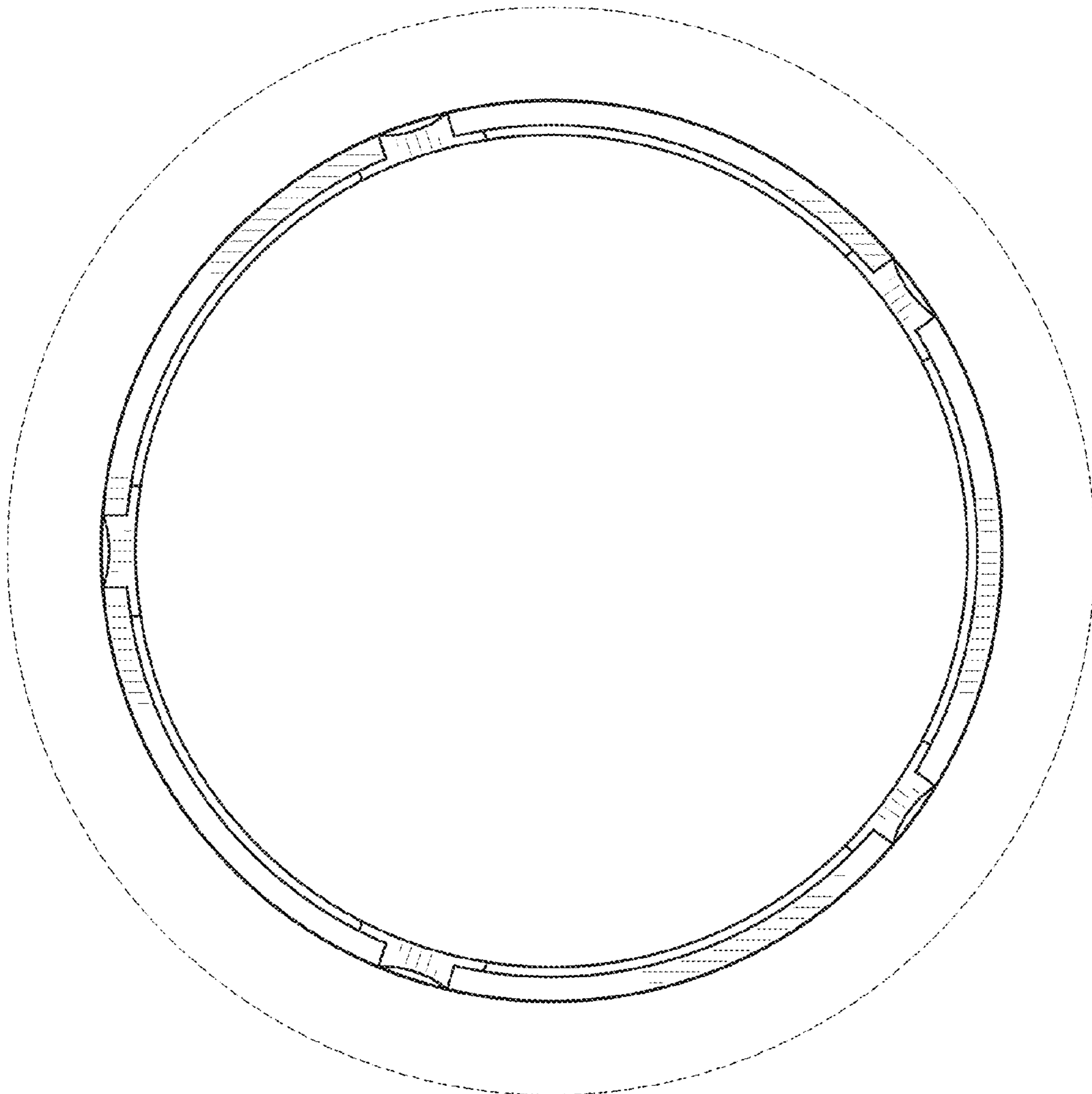


FIG-10

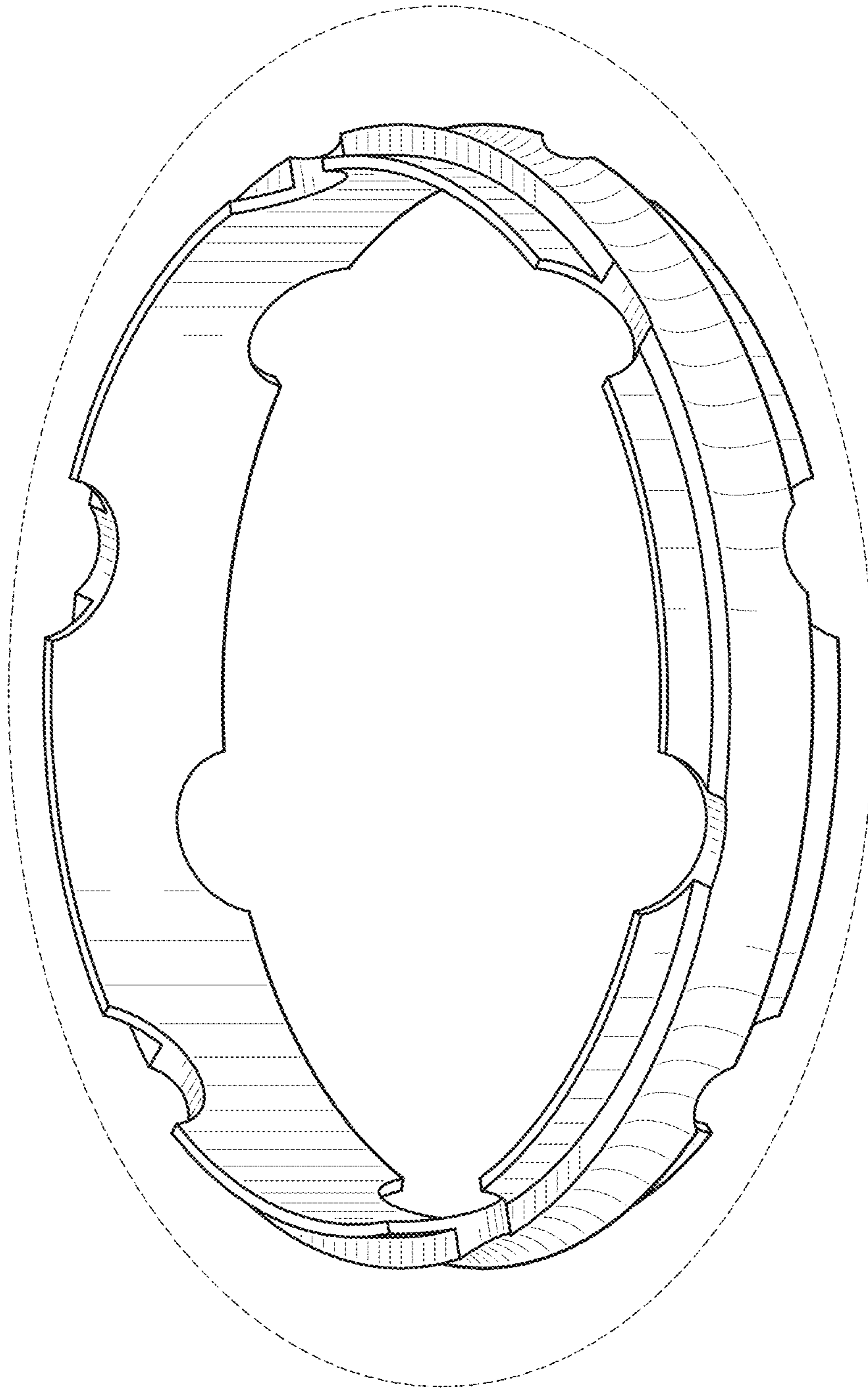


FIG-11

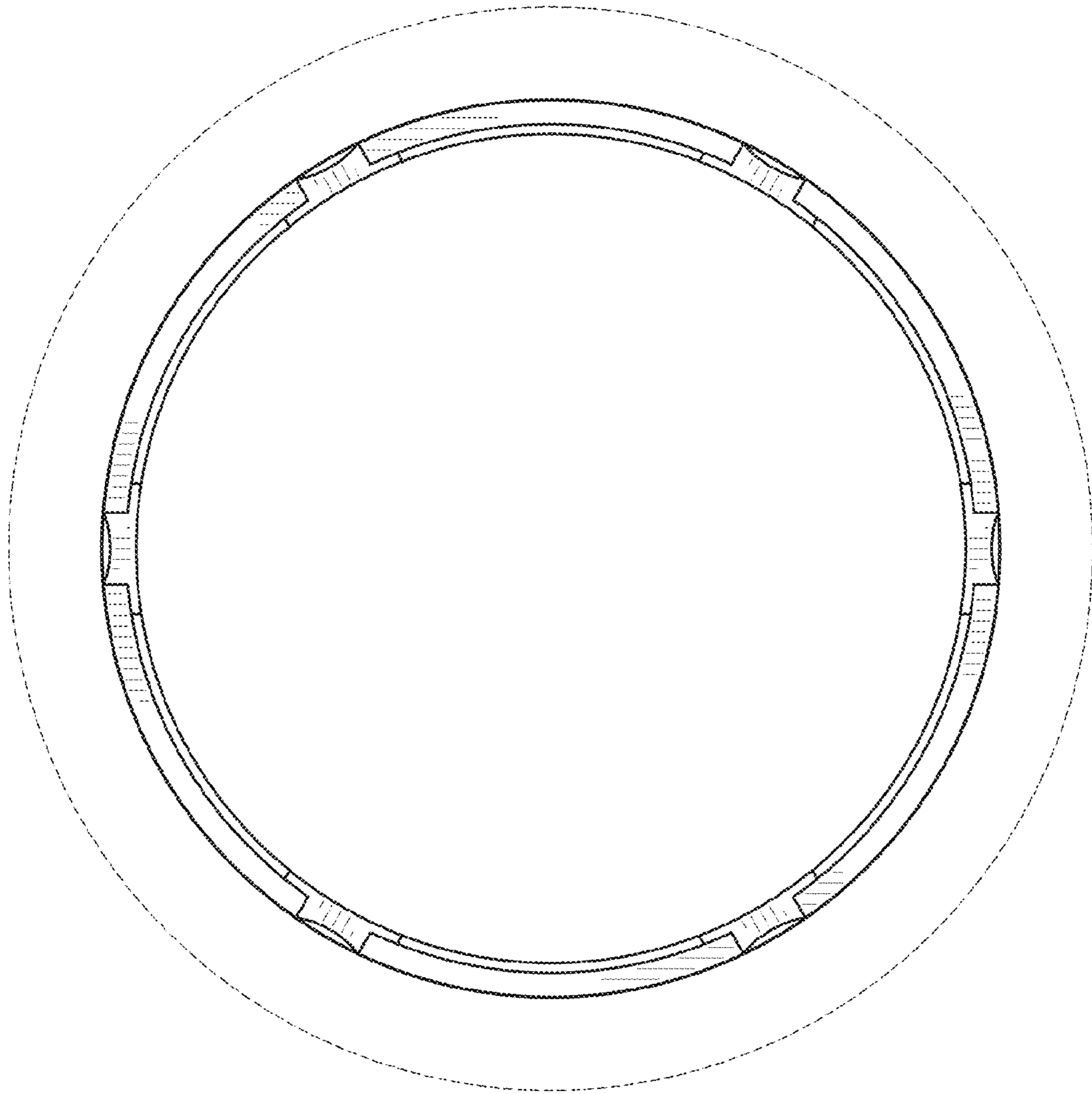


FIG-12

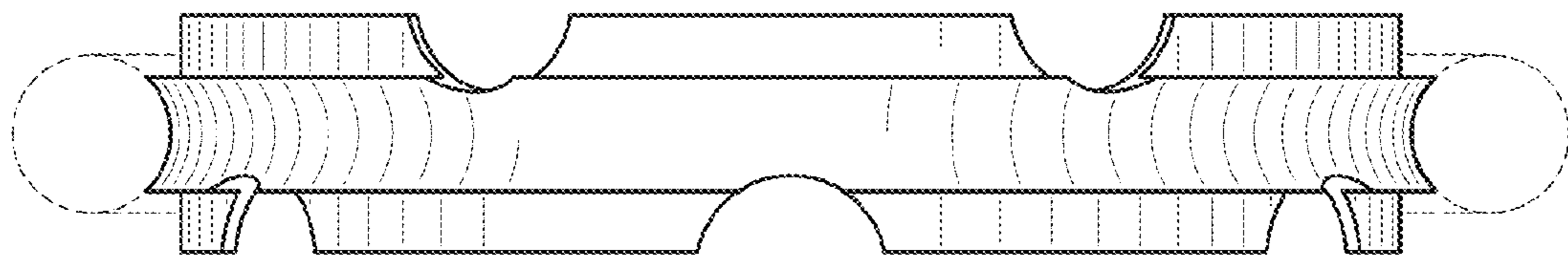


FIG-13

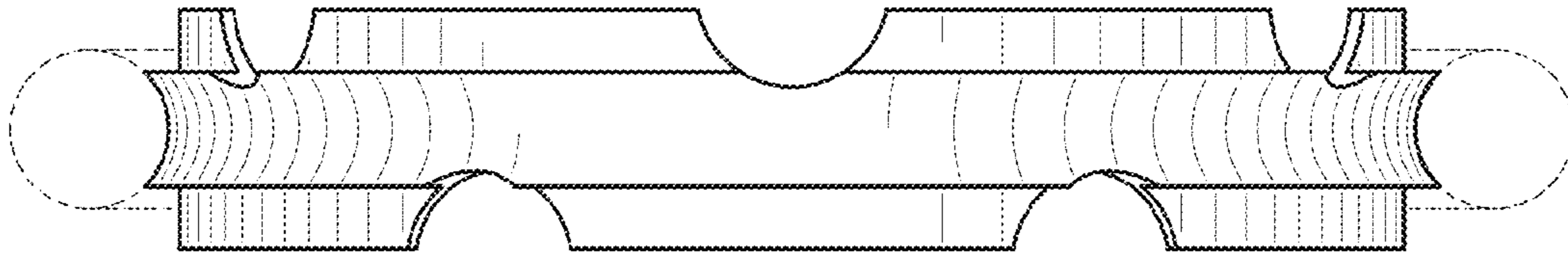


FIG-14

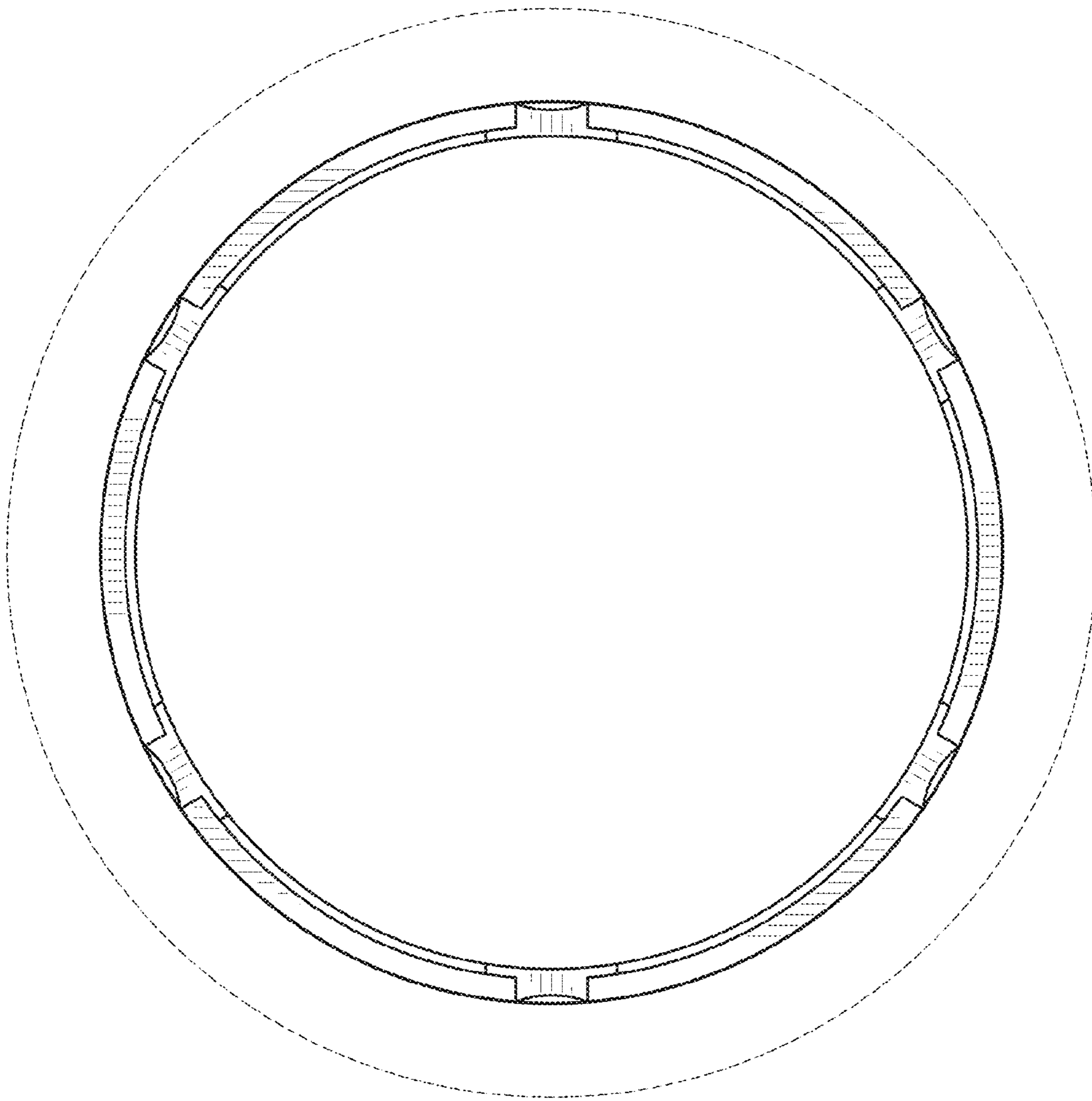


FIG-15