



US00D698903S

(12) **United States Design Patent**  
**Gilbert**

(10) **Patent No.:** **US D698,903 S**

(45) **Date of Patent:** **\*\* Feb. 4, 2014**

(54) **FAUCET HUB**

(75) **Inventor:** **Christopher Jon Gilbert**, Moreland Hills, OH (US)

(73) **Assignee:** **Moen Incorporated**, North Olmsted, OH (US)

(\*\*) **Term:** **14 Years**

(21) **Appl. No.:** **29/432,080**

(22) **Filed:** **Sep. 13, 2012**

(51) **LOC (10) Cl.** ..... **23-01**

(52) **U.S. Cl.**  
USPC ..... **D23/249**

(58) **Field of Classification Search**  
USPC ..... D23/233-237, 244-249; 137/801, 615;  
4/675-678

See application file for complete search history.

(56) **References Cited**

**U.S. PATENT DOCUMENTS**

D444,212 S	6/2001	Fleischmann	
D466,979 S	12/2002	Shulz	
D473,630 S	4/2003	Wettstein et al.	
D482,102 S	11/2003	Wettstein et al.	
D510,412 S	10/2005	Lammel et al.	
D517,658 S *	3/2006	Chung	D23/249
D519,190 S	4/2006	Lord	
D528,189 S	9/2006	Kulig	
D530,786 S *	10/2006	Gilbert	D23/238
D534,622 S	1/2007	Chu et al.	
D535,358 S	1/2007	Demmer et al.	
D536,065 S	1/2007	Wang	
D541,384 S	4/2007	Citterio	
D546,922 S	7/2007	Demmer et al.	
D553,714 S	10/2007	Demmer et al.	
D564,074 S	3/2008	Zhang	
D569,948 S *	5/2008	Noth et al.	D23/235
D570,462 S	6/2008	Celli	
D571,893 S	6/2008	Celli	

D589,120 S	3/2009	Tsai	
D589,594 S	3/2009	Lammel et al.	
D602,562 S *	10/2009	Harada	D23/233
D602,563 S *	10/2009	Ito et al.	D23/233
D603,020 S	10/2009	Flowers et al.	
D626,198 S	10/2010	Lammel et al.	
D633,599 S *	3/2011	Cummings et al.	D23/238
D635,648 S	4/2011	Schoenherr et al.	
D636,064 S	4/2011	Schoenherr et al.	
D646,355 S	10/2011	Gessi	

**OTHER PUBLICATIONS**

Faucet Products, the faucet products shown in the cited document were publicly available prior to Sep. 13, 2012, 3 pages.

\* cited by examiner

*Primary Examiner* — Cynthia Ramirez

(74) *Attorney, Agent, or Firm* — Calfee, Halter & Griswold LLP

(57) **CLAIM**

The ornamental design for a faucet hub, as shown and described.

**DESCRIPTION**

FIG. 1 is a perspective view of a faucet hub of the new design; FIG. 2 is a front elevational view of the faucet hub of the new design, the rear elevational view being a mirror image thereof;

FIG. 3 is a left side elevational view of the faucet hub of the new design;

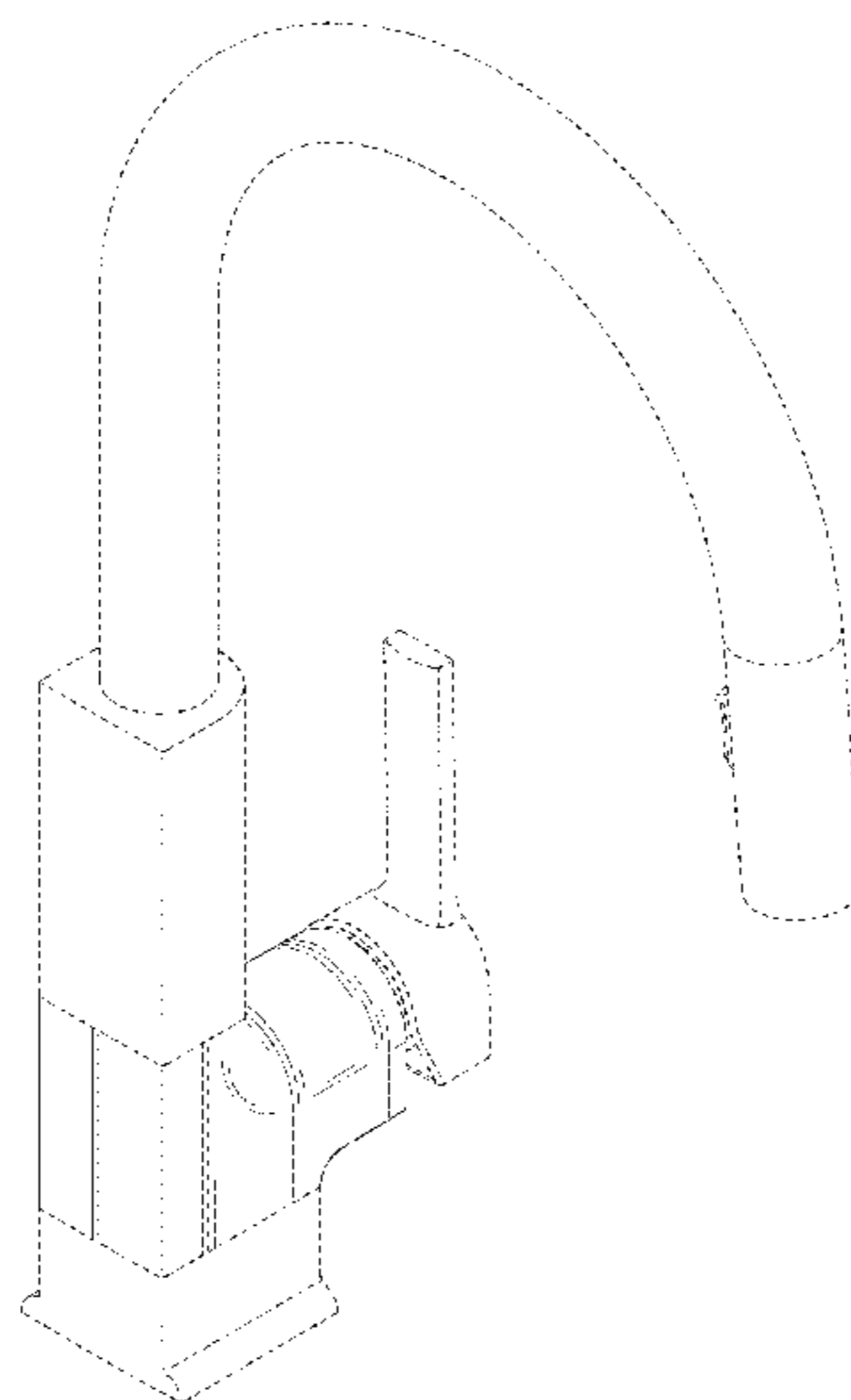
FIG. 4 is a right side elevational view of the faucet hub of the new design;

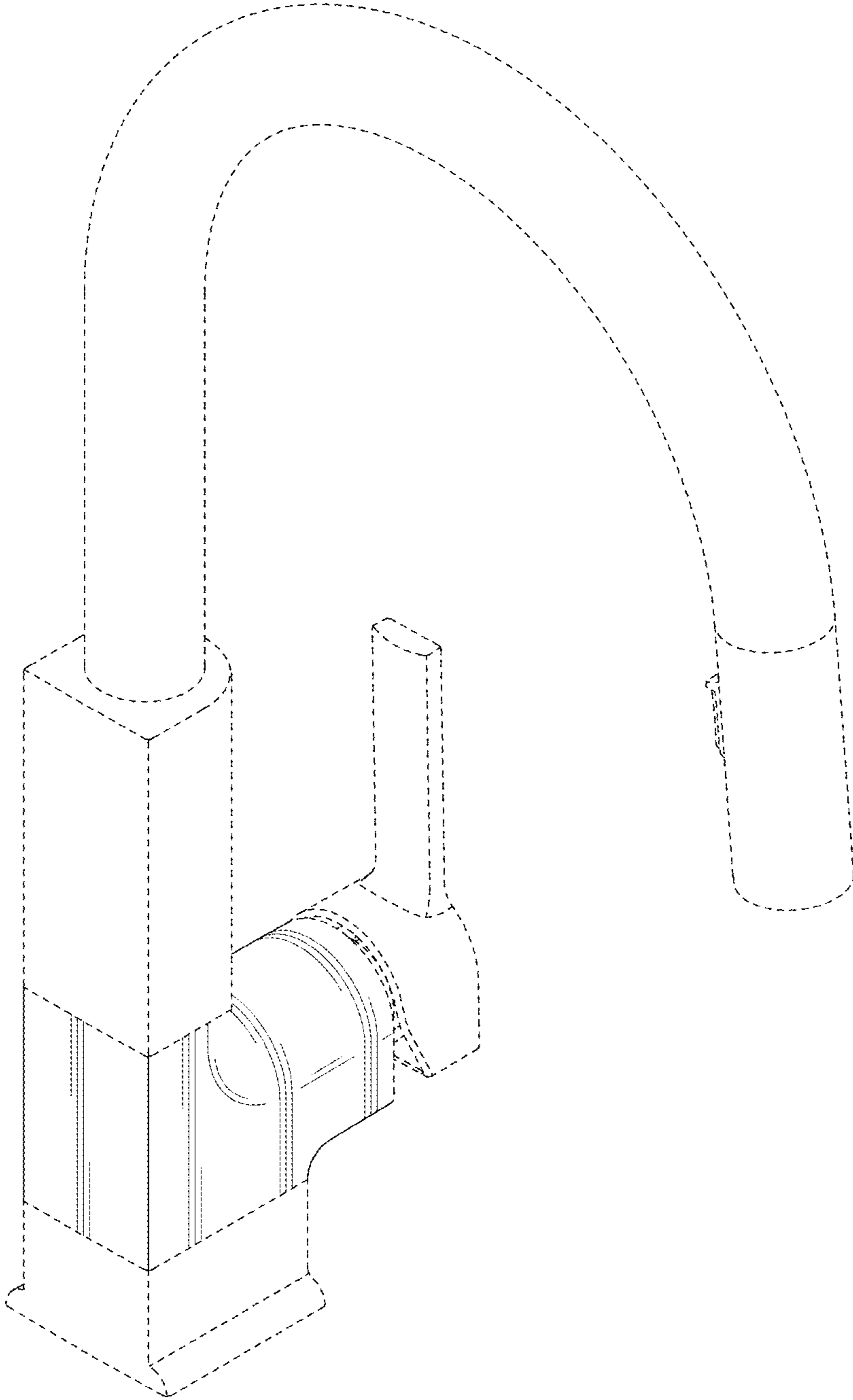
FIG. 5 is a top plan view of the faucet hub of the new design; and,

FIG. 6 is a bottom plan view of the faucet hub of the new design.

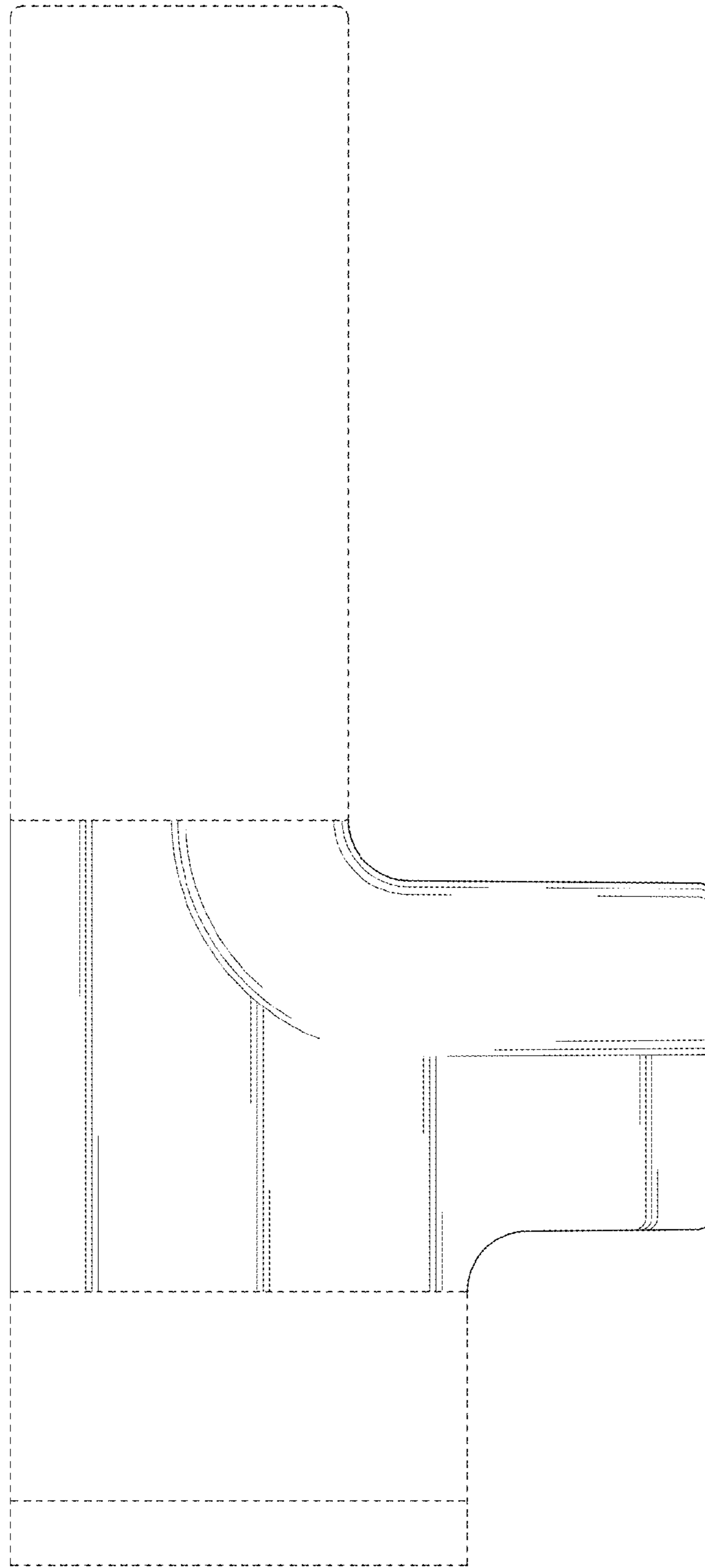
The portions of the Figures shown in broken lines are not part of the claimed design and are for illustration only.

**1 Claim, 4 Drawing Sheets**

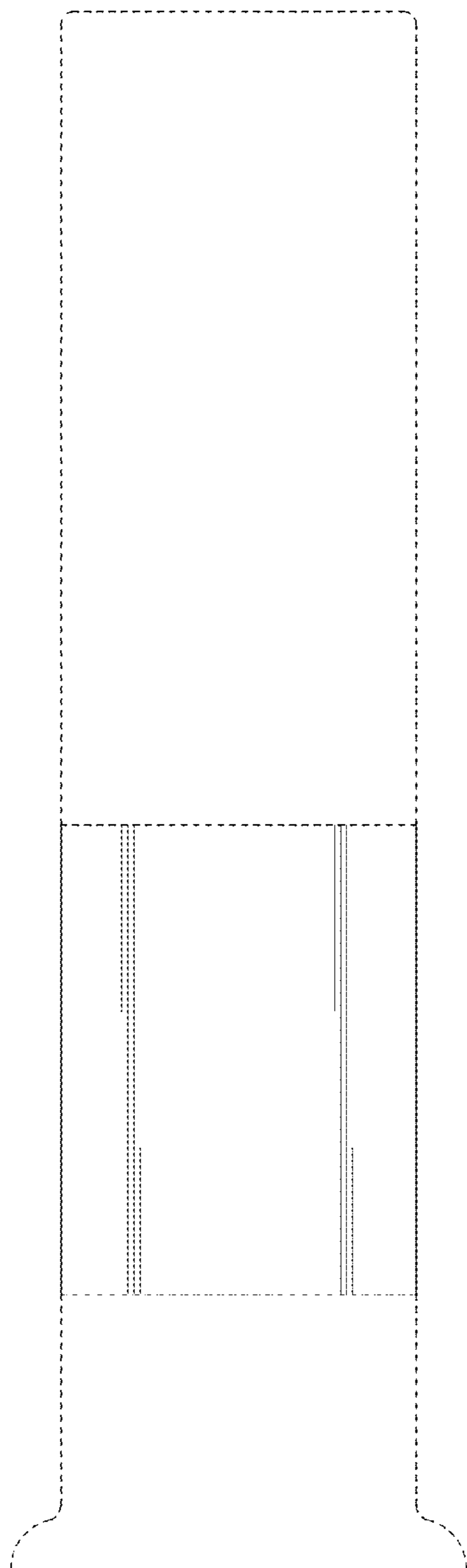




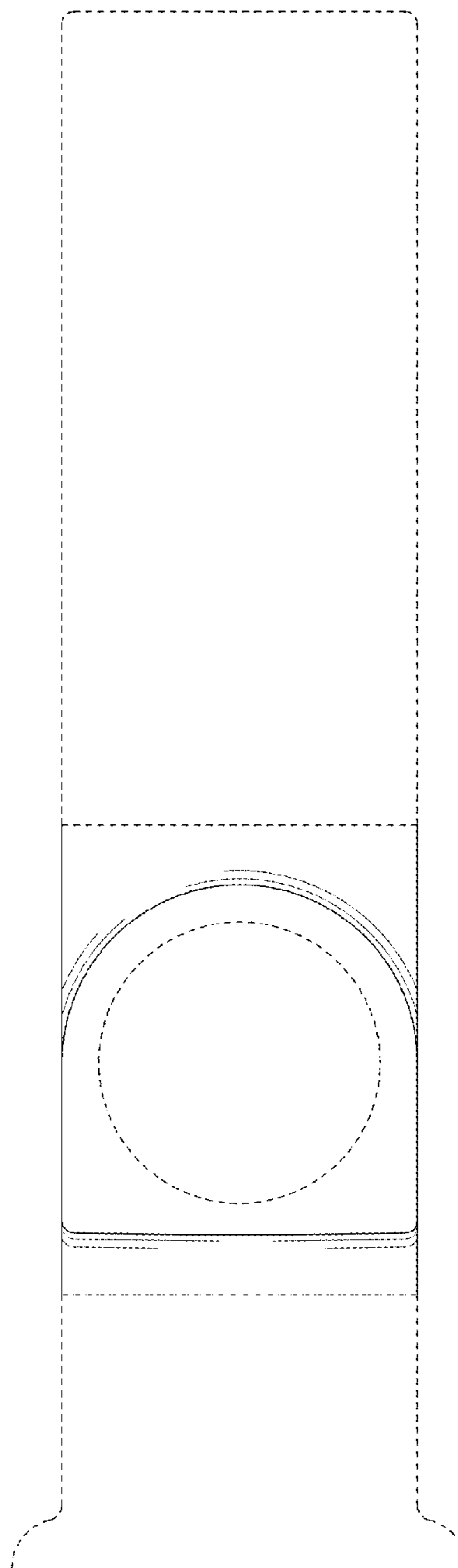
**FIG. 1**



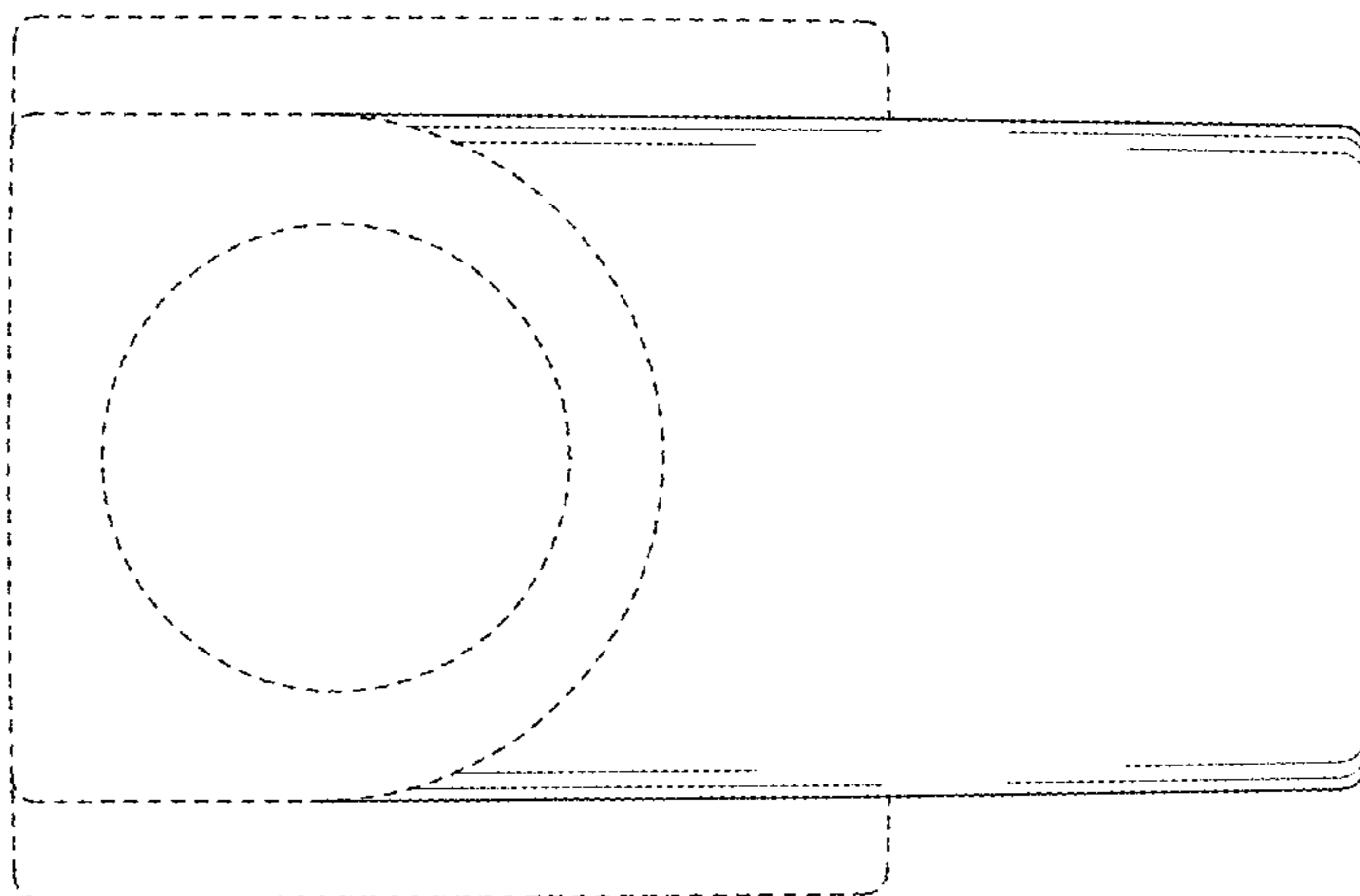
**FIG. 2**



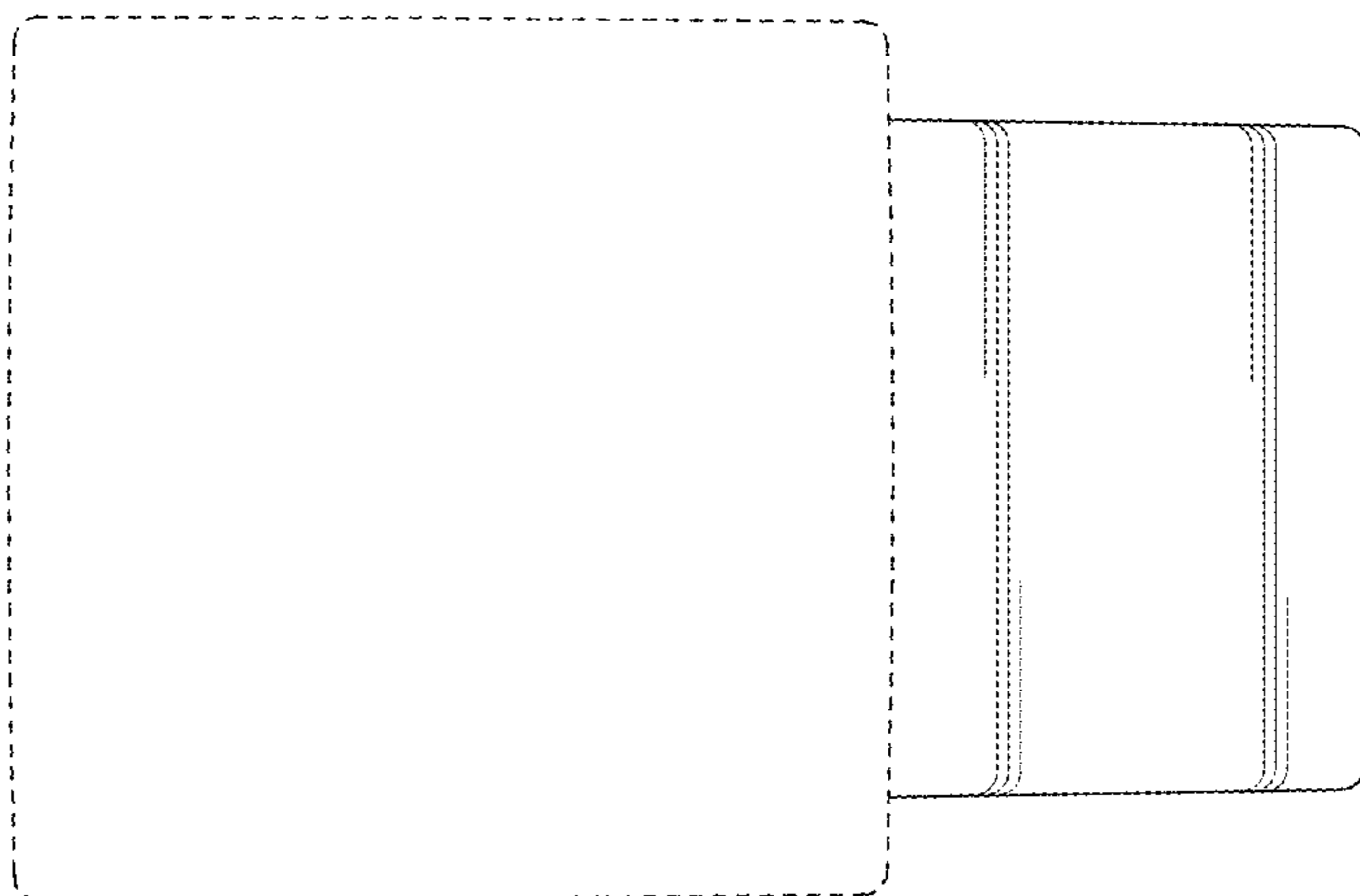
**FIG. 3**



**FIG. 4**



**FIG. 5**



**FIG. 6**