



US00D698902S

(12) **United States Design Patent**
Gilbert

(10) **Patent No.:** **US D698,902 S**

(45) **Date of Patent:** **** Feb. 4, 2014**

(54) **FAUCET HUB**

D633,599 S * 3/2011 Cummings et al. D23/238
D635,220 S 3/2011 Rubin et al.
D635,221 S 3/2011 Rubin et al.

(75) **Inventor:** **Christopher Jon Gilbert**, Moreland Hills, OH (US)

OTHER PUBLICATIONS

(73) **Assignee:** **Moen Incorporated**, North Olmsted, OH (US)

Faucet Products, the faucet products shown in the cited document were publicly available prior to Sep. 13, 2012, 3 pages.

(**) **Term:** **14 Years**

* cited by examiner

(21) **Appl. No.:** **29/432,078**

Primary Examiner — Cynthia Ramirez

(22) **Filed:** **Sep. 13, 2012**

(74) *Attorney, Agent, or Firm* — Calfee, Halter & Griswold LLP

(51) **LOC (10) Cl.** **23-01**

(52) **U.S. Cl.**

(57) **CLAIM**

USPC **D23/249**

The ornamental design for a faucet hub, as shown and described.

(58) **Field of Classification Search**

USPC D23/233–237, 244–249; 137/801, 615; 4/675–678

DESCRIPTION

See application file for complete search history.

FIG. 1 is a perspective view of a faucet hub of the new design; FIG. 2 is a front elevational view of the faucet hub of the new design, the rear elevational view being a mirror image thereof;

(56) **References Cited**

U.S. PATENT DOCUMENTS

D314,040 S	1/1991	Heieck	
D366,098 S	1/1996	Gottwald	
5,758,690 A	6/1998	Humpert et al.	
D517,658 S *	3/2006	Chung	D23/249
D530,786 S *	10/2006	Gilbert	D23/238
D535,358 S	1/2007	Demmer et al.	
D536,065 S	1/2007	Wang	
D546,922 S	7/2007	Demmer et al.	
D553,714 S	10/2007	Demmer et al.	
D564,074 S	3/2008	Zhang	
D569,948 S *	5/2008	Noth et al.	D23/235
D589,120 S	3/2009	Tsai	
D602,562 S *	10/2009	Harada	D23/233
D602,563 S *	10/2009	Ito et al.	D23/233

FIG. 3 is a left side elevational view of the faucet hub of the new design;

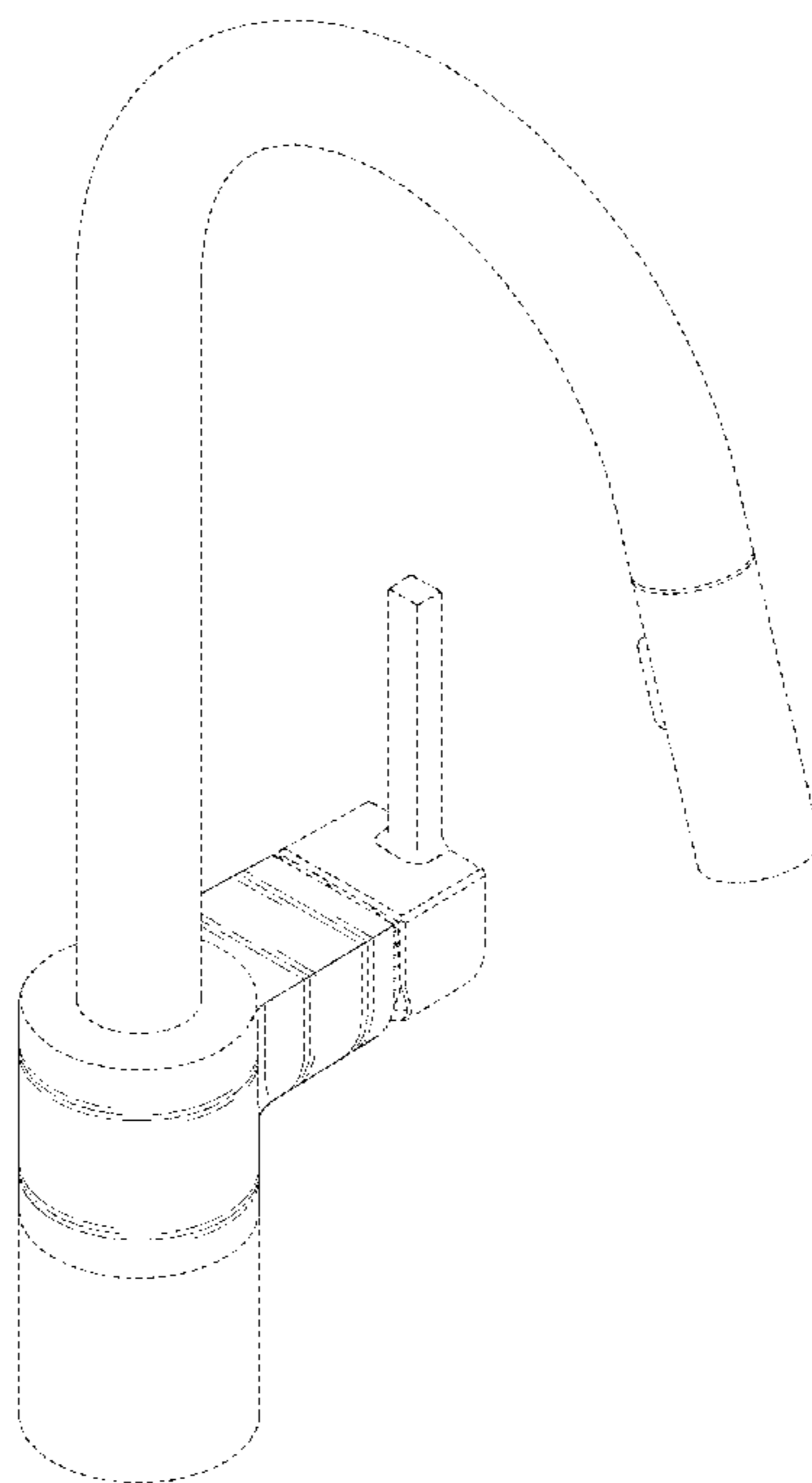
FIG. 4 is a right side elevational view of the faucet hub of the new design;

FIG. 5 is a top plan view of the faucet hub of the new design; and,

FIG. 6 is a bottom plan view of the faucet hub of the new design.

The portions of the Figures shown in broken lines are not part of the claimed design and are for illustration only.

1 Claim, 3 Drawing Sheets



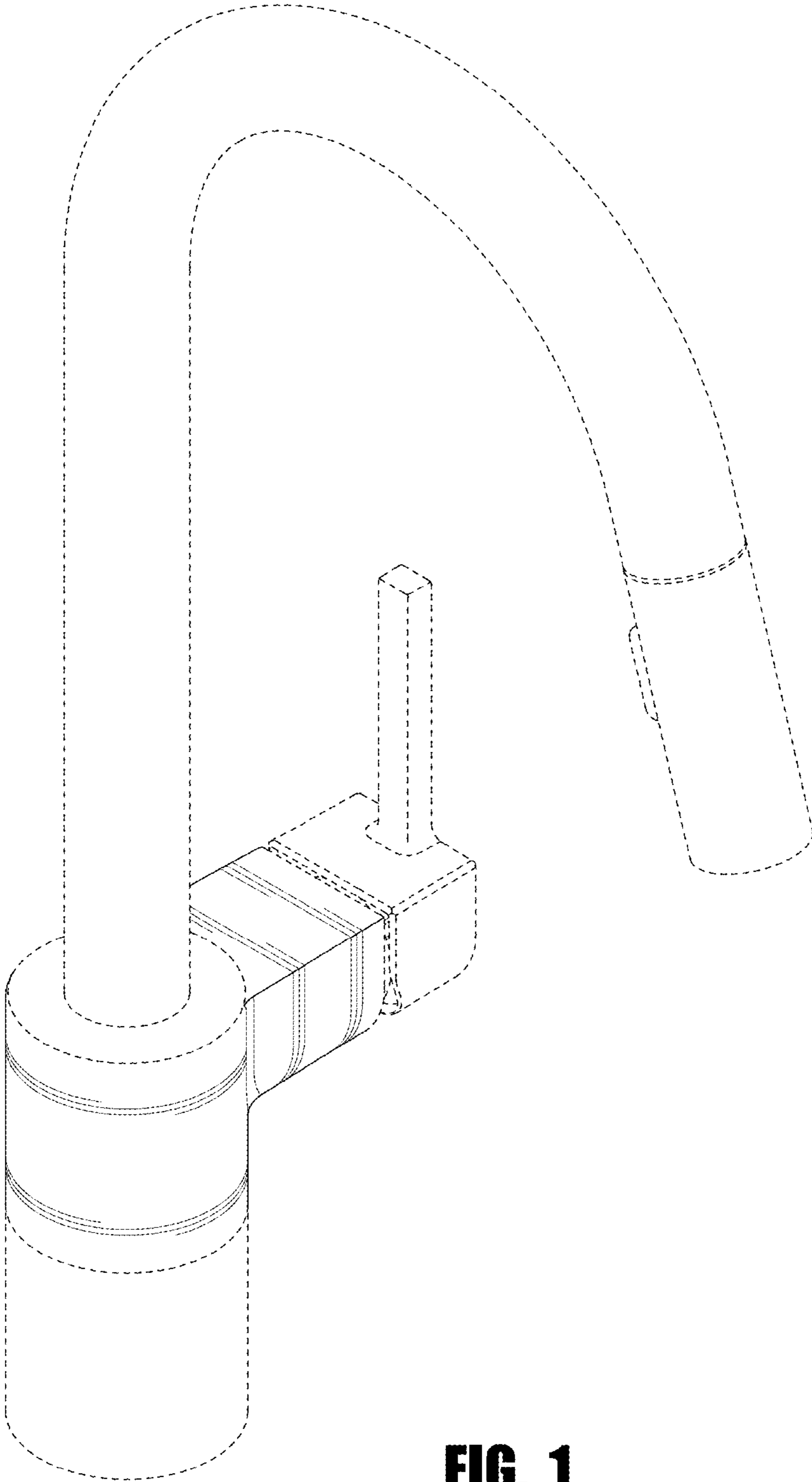


FIG. 1

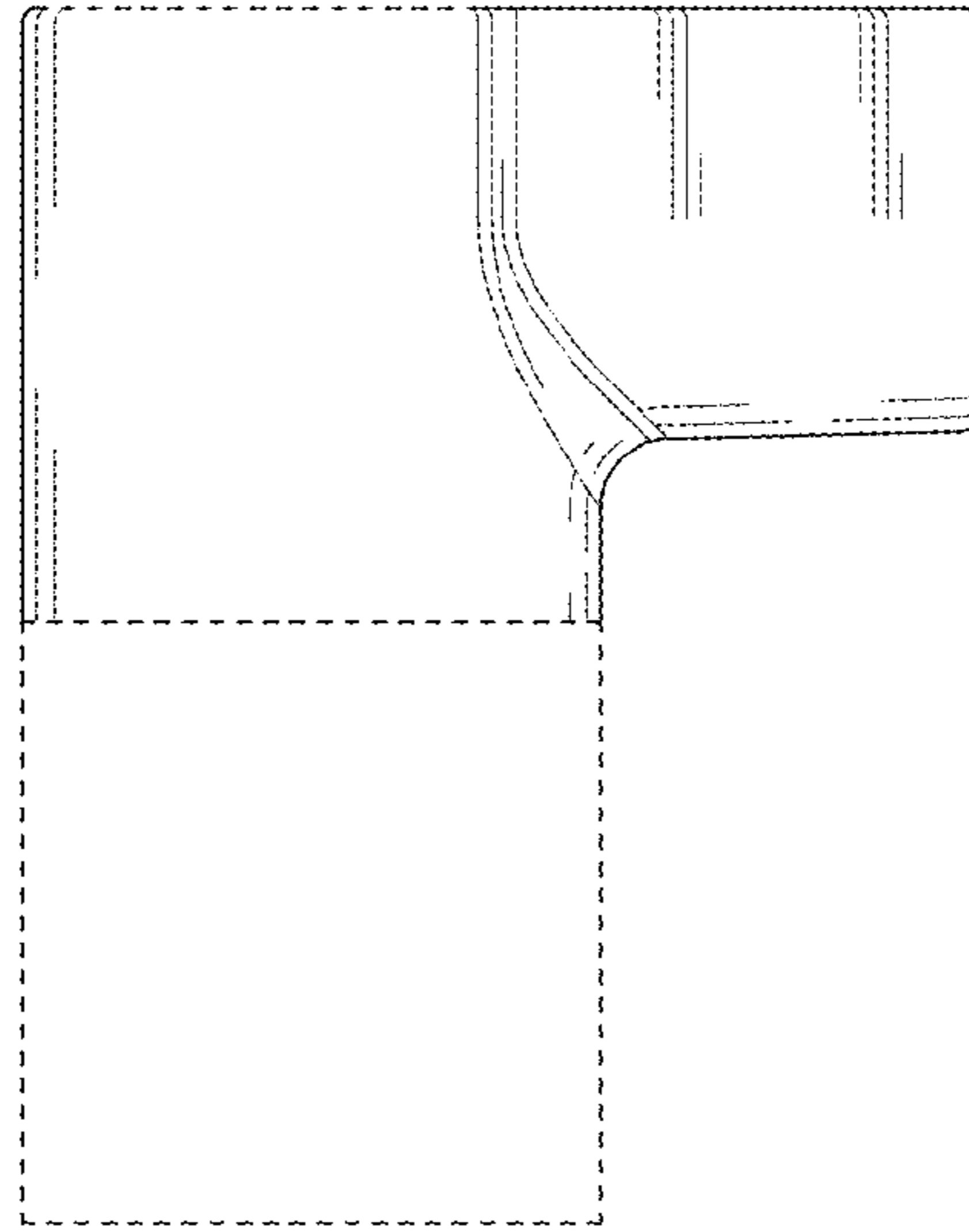


FIG. 2

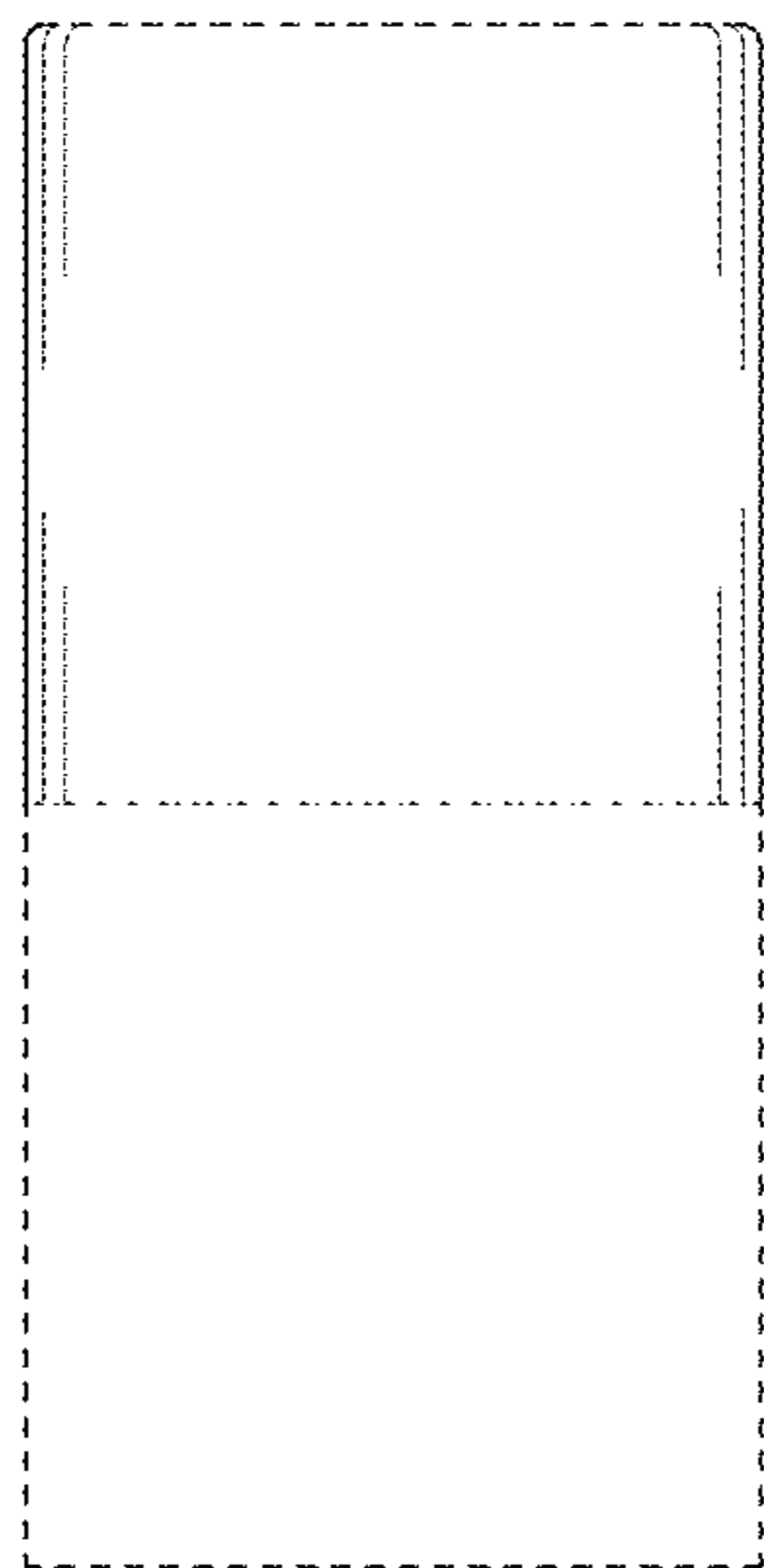


FIG. 3

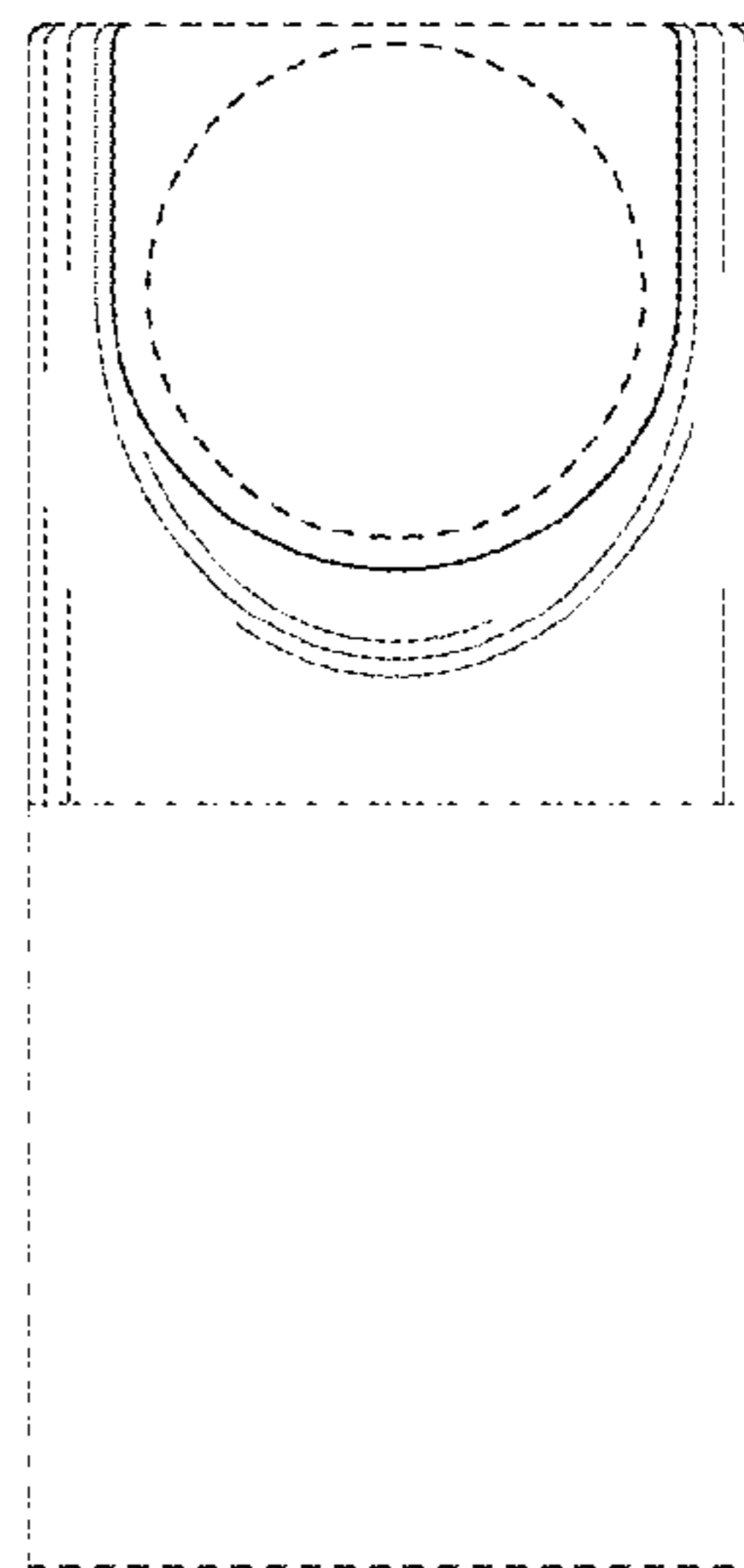


FIG. 4

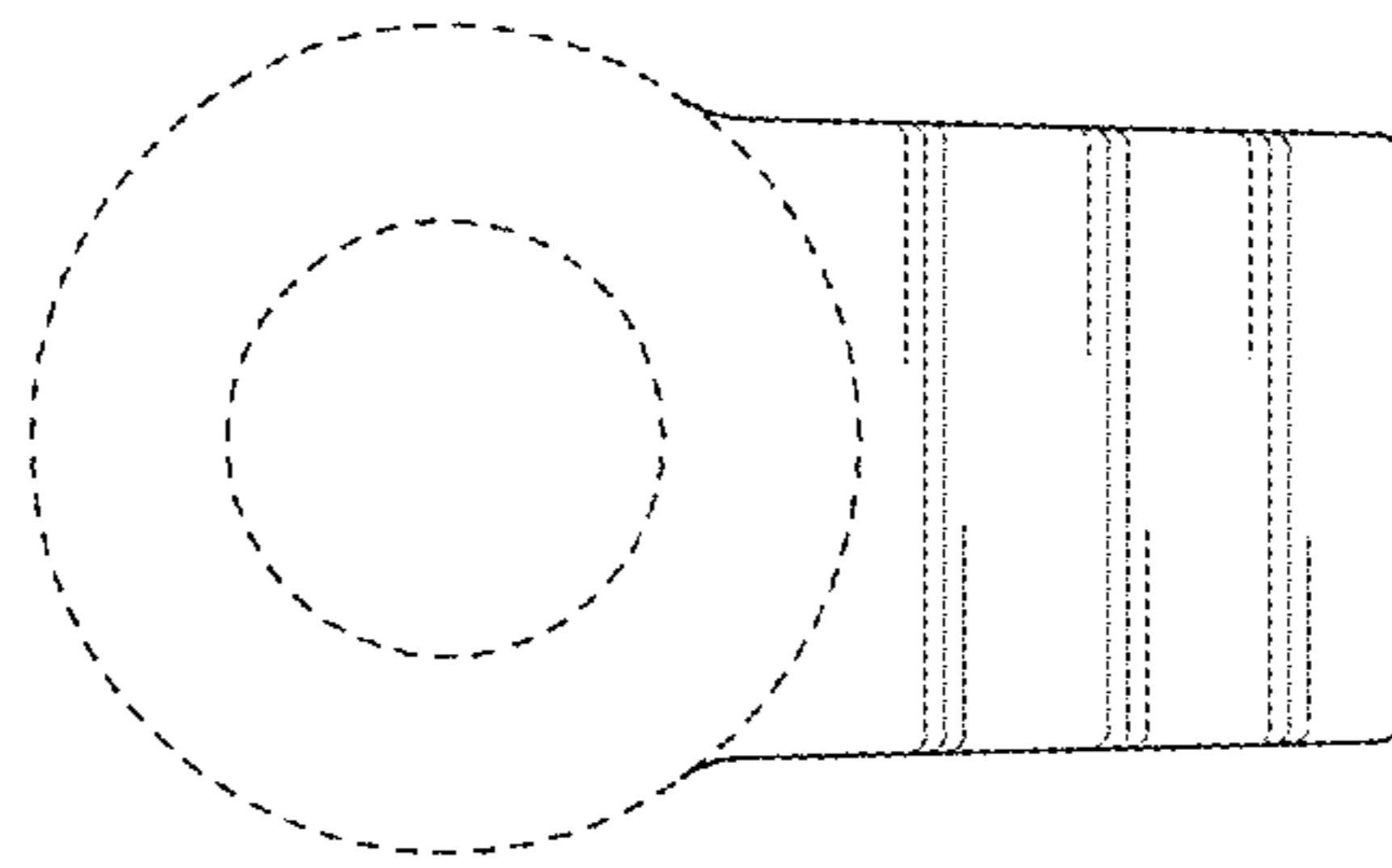


FIG. 5

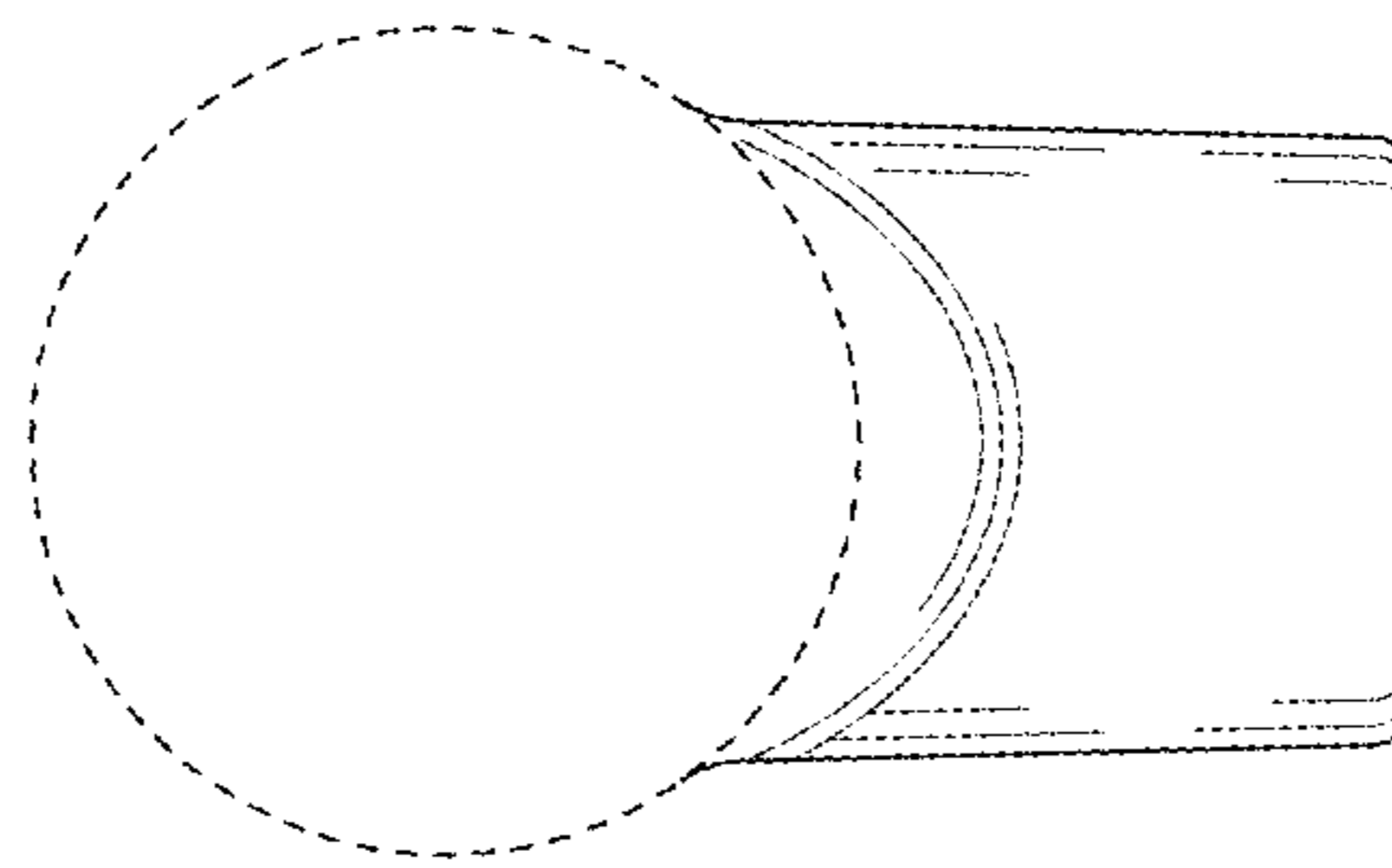


FIG. 6