



US00D698901S

(12) **United States Design Patent**  
**Narita**

(10) **Patent No.:** **US D698,901 S**

(45) **Date of Patent:** **\*\* Feb. 4, 2014**

(54) **ELECTROMAGNETIC VALVE**

(71) Applicant: **SMC Corporation**, Chiyoda-ku (JP)

(72) Inventor: **Masaru Narita**, Kashiwa (JP)

(73) Assignee: **SMC Corporation**, Tokyo (JP)

(\*\*) Term: **14 Years**

(21) Appl. No.: **29/454,789**

(22) Filed: **May 14, 2013**

(30) **Foreign Application Priority Data**

Mar. 4, 2013 (JP) ..... 2013-004638

(51) **LOC (10) Cl.** ..... **23-01**

(52) **U.S. Cl.**  
USPC ..... **D23/233**

(58) **Field of Classification Search**  
USPC ..... D23/233–237, 244–249; D15/5, 7, 199;  
137/554, 557, 560, 882, 884, 269, 271,  
137/343, 625.64; 251/15, 129.04, 130, 219,  
251/331, 596.16, 597.13, 30.01; 4/304  
See application file for complete search history.

(56) **References Cited**

**U.S. PATENT DOCUMENTS**

D524,910 S \* 7/2006 Matsumoto et al. .... D23/233  
D544,578 S \* 6/2007 Matsumoto et al. .... D23/233  
D544,581 S \* 6/2007 Matsumoto et al. .... D23/233  
D546,420 S \* 7/2007 Matsumoto et al. .... D23/233  
D563,512 S \* 3/2008 Mita et al. .... D23/233  
D563,513 S \* 3/2008 Mita et al. .... D23/233  
D563,516 S \* 3/2008 Mita et al. .... D23/233  
D564,072 S \* 3/2008 Yoshimura et al. .... D23/233

D564,629 S \* 3/2008 Miyazoe et al. .... D23/233  
D572,344 S \* 7/2008 Kato ..... D23/233  
D623,270 S \* 9/2010 Fukano et al. .... D23/233  
D639,393 S \* 6/2011 Hayashi ..... D23/233  
D653,307 S \* 1/2012 Senba ..... D23/233  
D668,321 S \* 10/2012 Senba ..... D23/233

**OTHER PUBLICATIONS**

U.S. Appl. No. 29/443,033, filed Jan. 11, 2013, Narita.  
U.S. Appl. No. 29/443,021, filed Jan. 11, 2013, Narita.  
U.S. Appl. No. 29/454,803, filed May 14, 2013, Narita.

\* cited by examiner

*Primary Examiner* — Cynthia Ramirez

(74) *Attorney, Agent, or Firm* — Oblon, Spivak,  
McClelland, Maier & Neustadt, L.L.P.

(57) **CLAIM**

The ornamental design for an electromagnetic valve, as shown and described.

**DESCRIPTION**

FIG. 1 is a front, top, and left side perspective view of an electromagnetic valve;  
FIG. 2 is a front, bottom, and right side perspective view thereof;  
FIG. 3 is a front elevational view thereof;  
FIG. 4 is a rear elevational view thereof;  
FIG. 5 is a top plan view thereof;  
FIG. 6 is a bottom plan view thereof; and  
FIG. 7 is a left side elevational view thereof.  
The broken lines in the drawings depict environmental subject matter only and form no part of the claimed design.

**1 Claim, 4 Drawing Sheets**

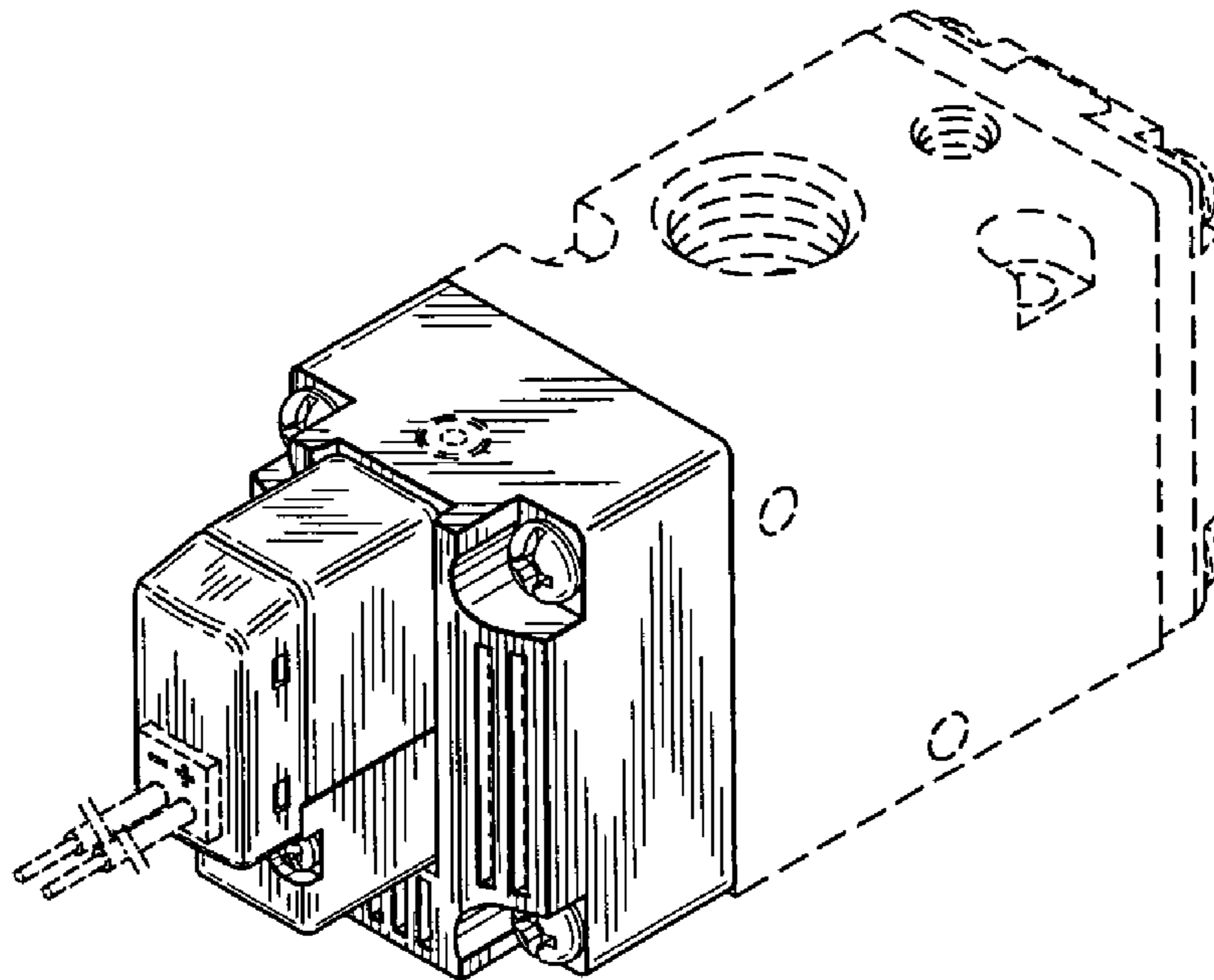


Fig. 1

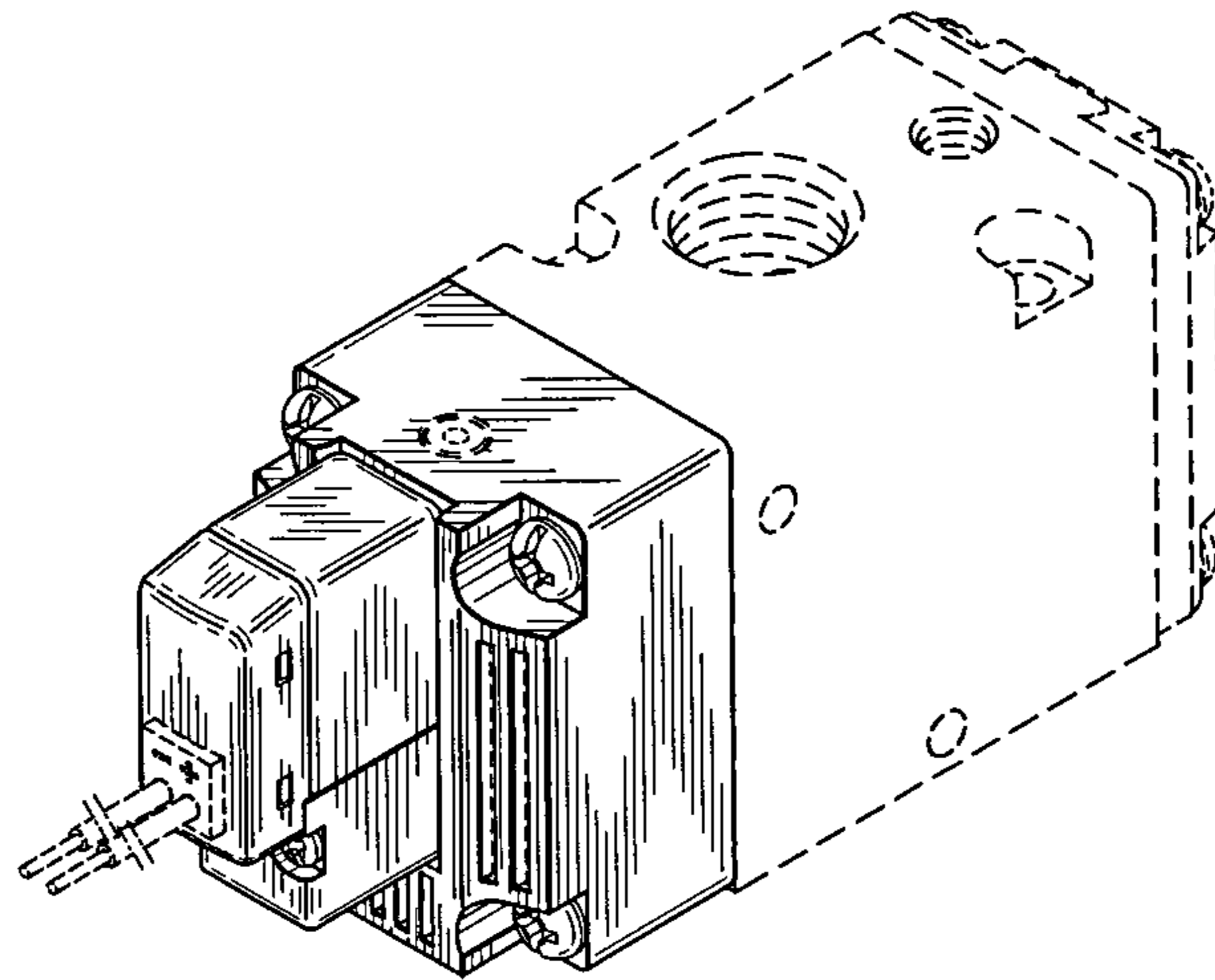


Fig. 2

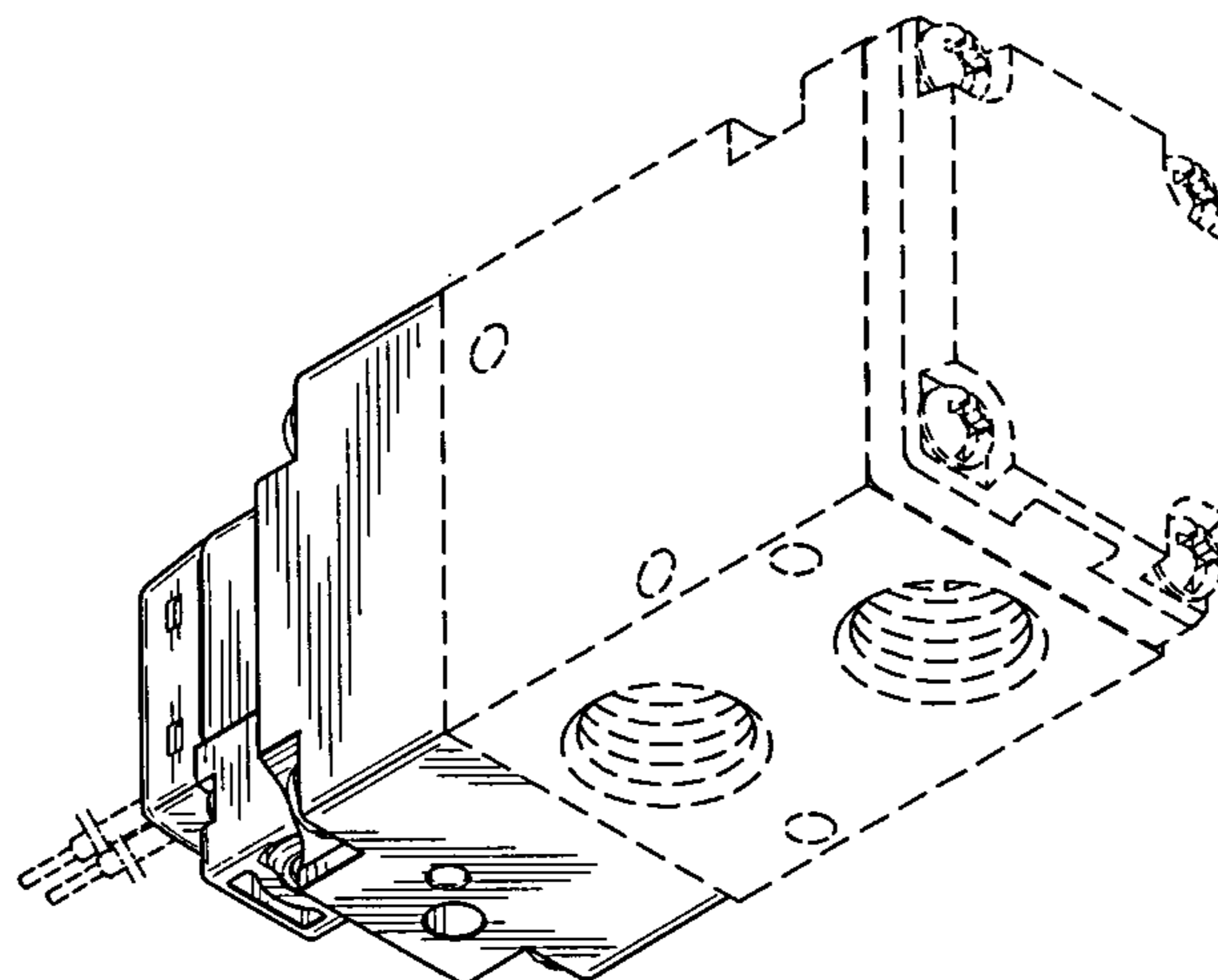


Fig. 3

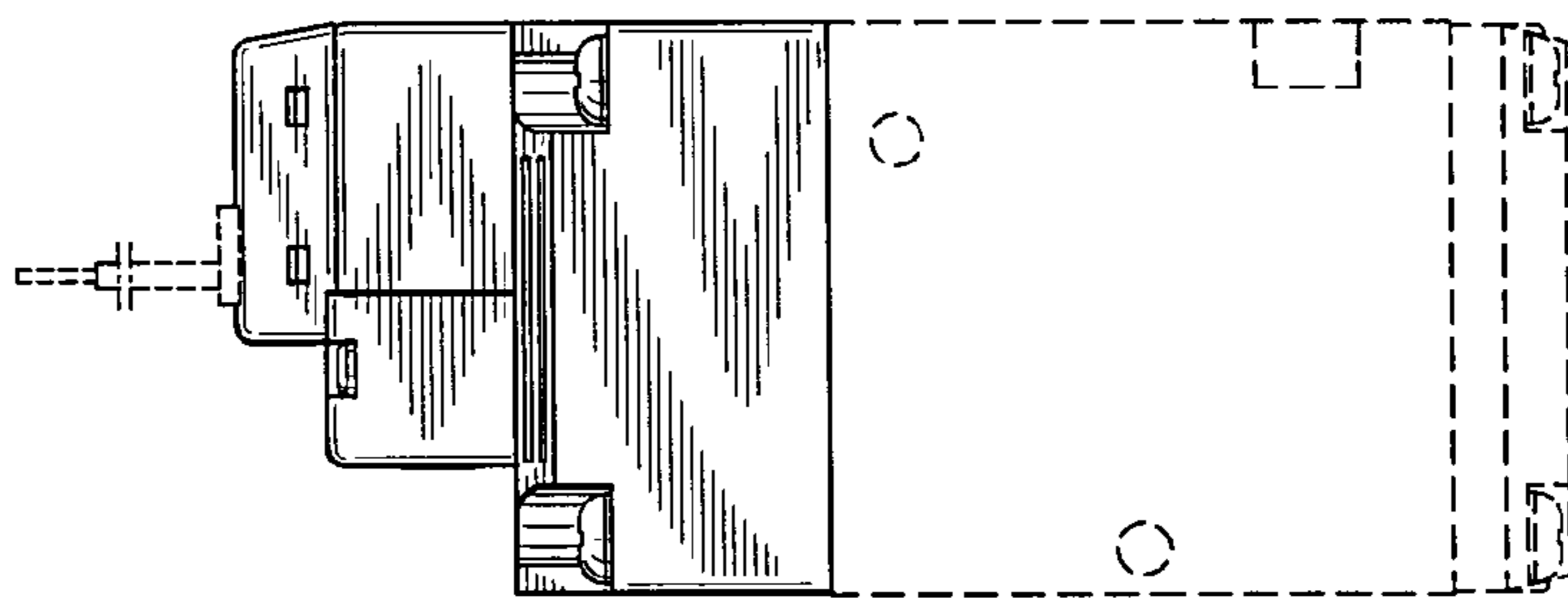


Fig. 4

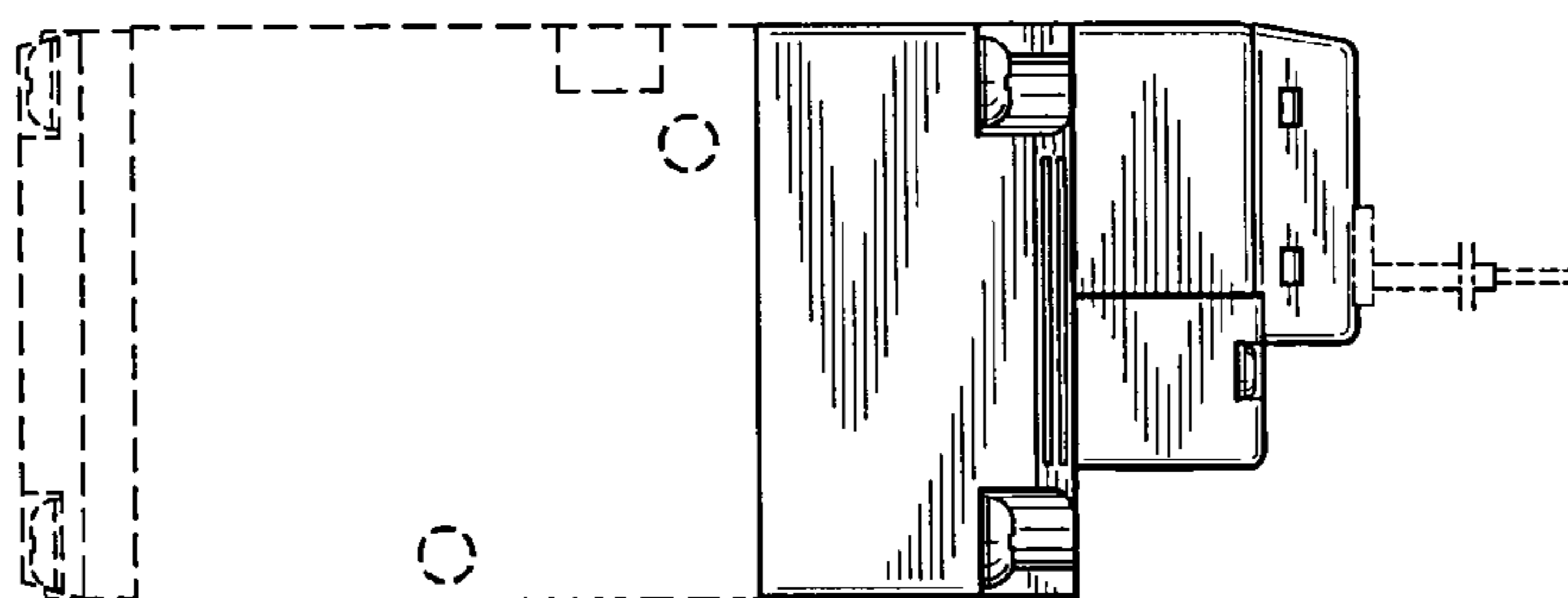


Fig. 5

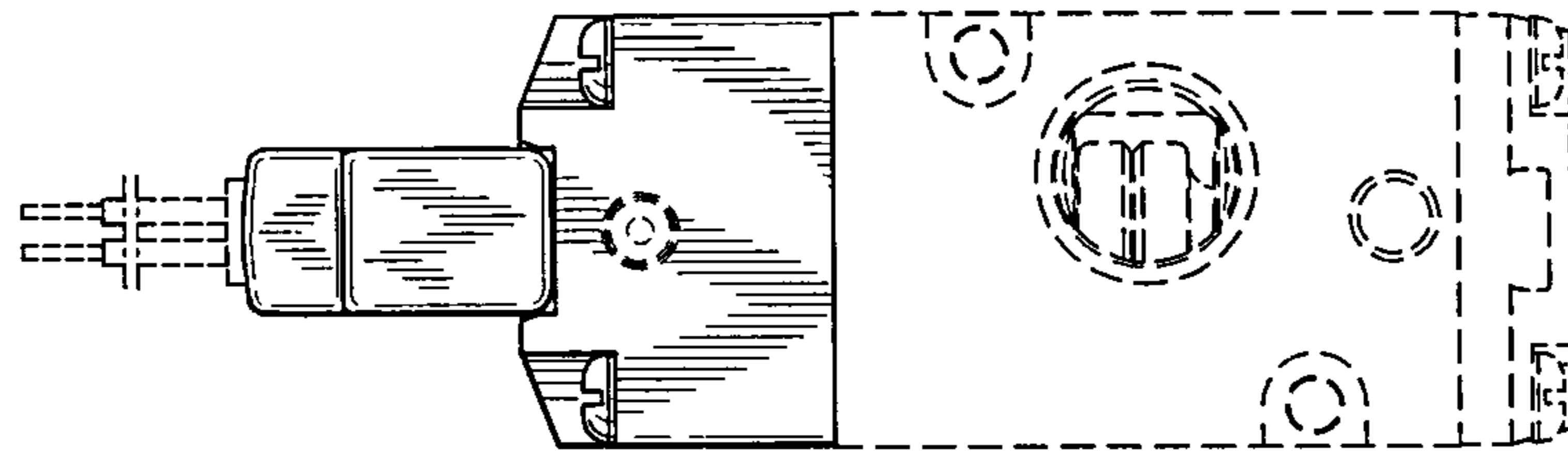


Fig. 6

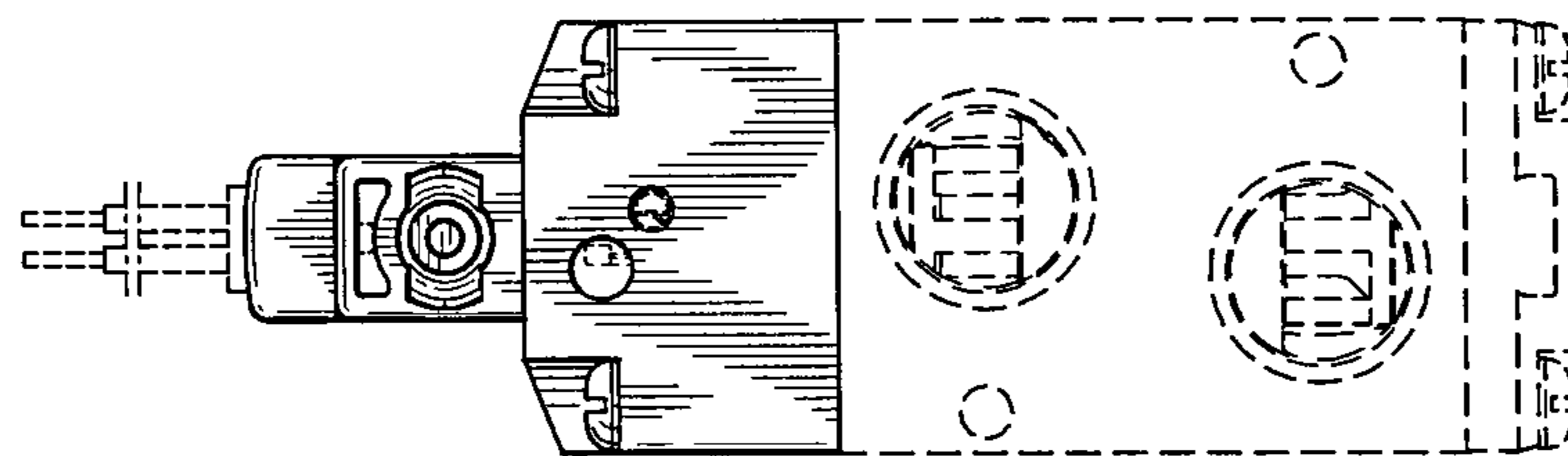


Fig. 7

