



US00D698900S

(12) **United States Design Patent**
Narita

(10) **Patent No.:** **US D698,900 S**

(45) **Date of Patent:** **** Feb. 4, 2014**

(54) **ELECTROMAGNETIC VALVE**

(71) Applicant: **SMC Corporation**, Tokyo (JP)

(72) Inventor: **Masaru Narita**, Kashiwa (JP)

(73) Assignee: **SMC Corporation**, Tokyo (JP)

(**) Term: **14 Years**

(21) Appl. No.: **29/453,908**

(22) Filed: **May 3, 2013**

(30) **Foreign Application Priority Data**

Mar. 7, 2013 (JP) 2013-005042

(51) **LOC (10) CL.** **23-01**

(52) **U.S. Cl.**
USPC **D23/233**

(58) **Field of Classification Search**
USPC D23/233–237, 244–249; D15/5, 7, 199;
137/554, 557, 560, 882, 884, 269, 271,
137/343, 625.64; 251/15, 129.04, 130, 219,
251/331, 596.16, 597.13, 30.01; 4/304
See application file for complete search history.

(56) **References Cited**

U.S. PATENT DOCUMENTS

D524,910 S *	7/2006	Matsumoto et al.	D23/233
D544,578 S *	6/2007	Matsumoto et al.	D23/233
D544,581 S *	6/2007	Matsumoto et al.	D23/233
D546,420 S *	7/2007	Matsumoto et al.	D23/233
D563,512 S *	3/2008	Mita et al.	D23/233
D563,513 S *	3/2008	Mita et al.	D23/233
D563,516 S *	3/2008	Mita et al.	D23/233

D564,072 S *	3/2008	Yoshimura et al.	D23/233
D564,629 S *	3/2008	Miyazoe et al.	D23/233
D572,344 S *	7/2008	Kato	D23/233
D623,270 S *	9/2010	Fukano et al.	D23/233
D639,393 S *	6/2011	Hayashi	D23/233
D653,307 S *	1/2012	Senba	D23/233
D668,321 S *	10/2012	Senba	D23/233

OTHER PUBLICATIONS

U.S. Appl. No. 29/443,166, filed Jan. 14, 2013, Narita.

U.S. Appl. No. 29/453,886, filed May 3, 2013, Narita.

* cited by examiner

Primary Examiner — Cynthia Ramirez

(74) *Attorney, Agent, or Firm* — Oblon, Spivak,
McClelland, Maier & Neustadt, L.L.P.

(57) **CLAIM**

The ornamental design for an electromagnetic valve, as shown and described.

DESCRIPTION

FIG. 1 is a front, top, and left side perspective view of an electromagnetic valve;

FIG. 2 is a front, bottom, and right side perspective view thereof;

FIG. 3 is a front elevational view thereof;

FIG. 4 is a rear elevational view thereof;

FIG. 5 is a top plan view thereof;

FIG. 6 is a bottom plan view thereof;

FIG. 7 is a left side elevational view thereof; and,

FIG. 8 is a right side elevational view thereof.

The broken lines in the drawings depict environmental subject matter only and form no part of the claimed design.

1 Claim, 4 Drawing Sheets

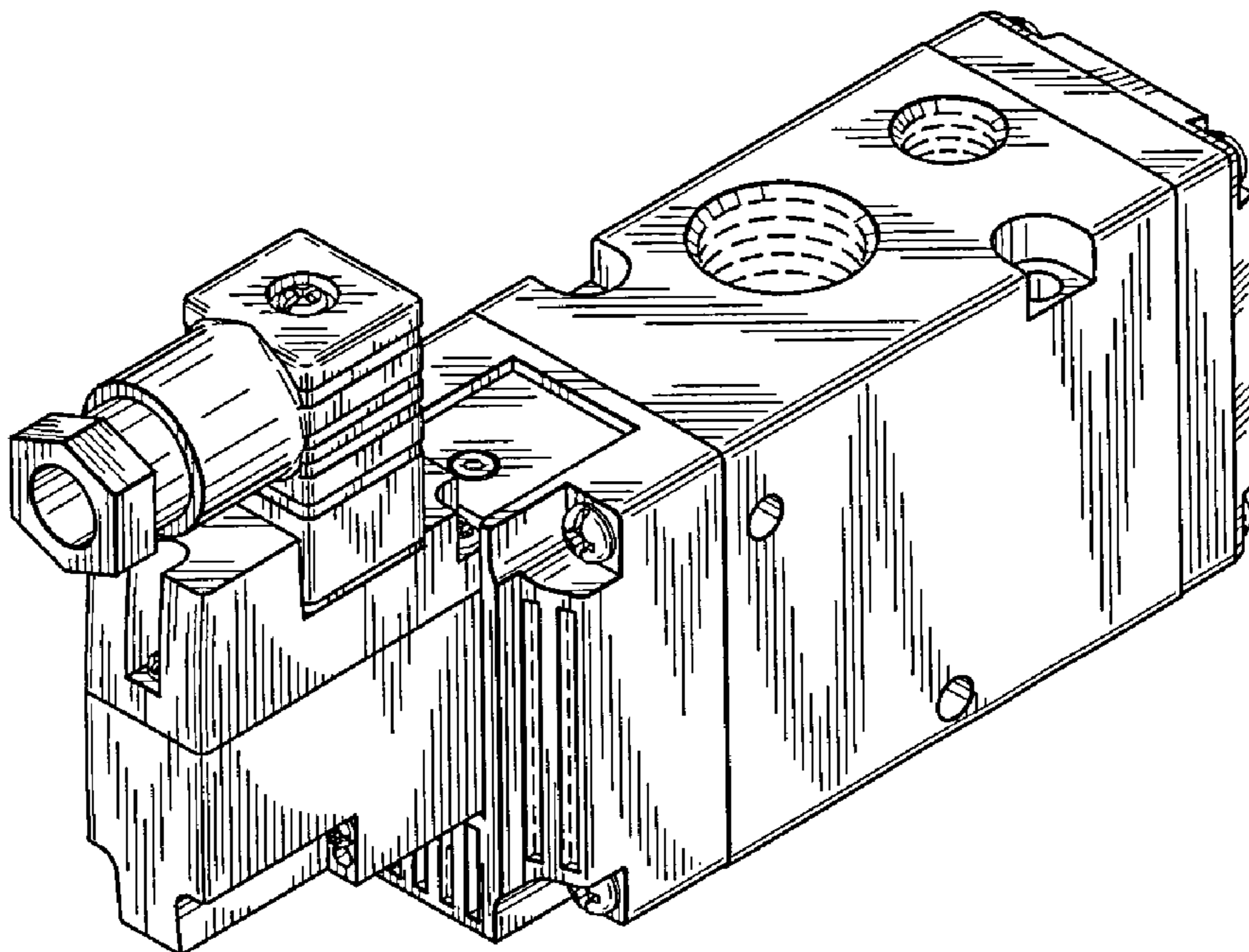


Fig. 1

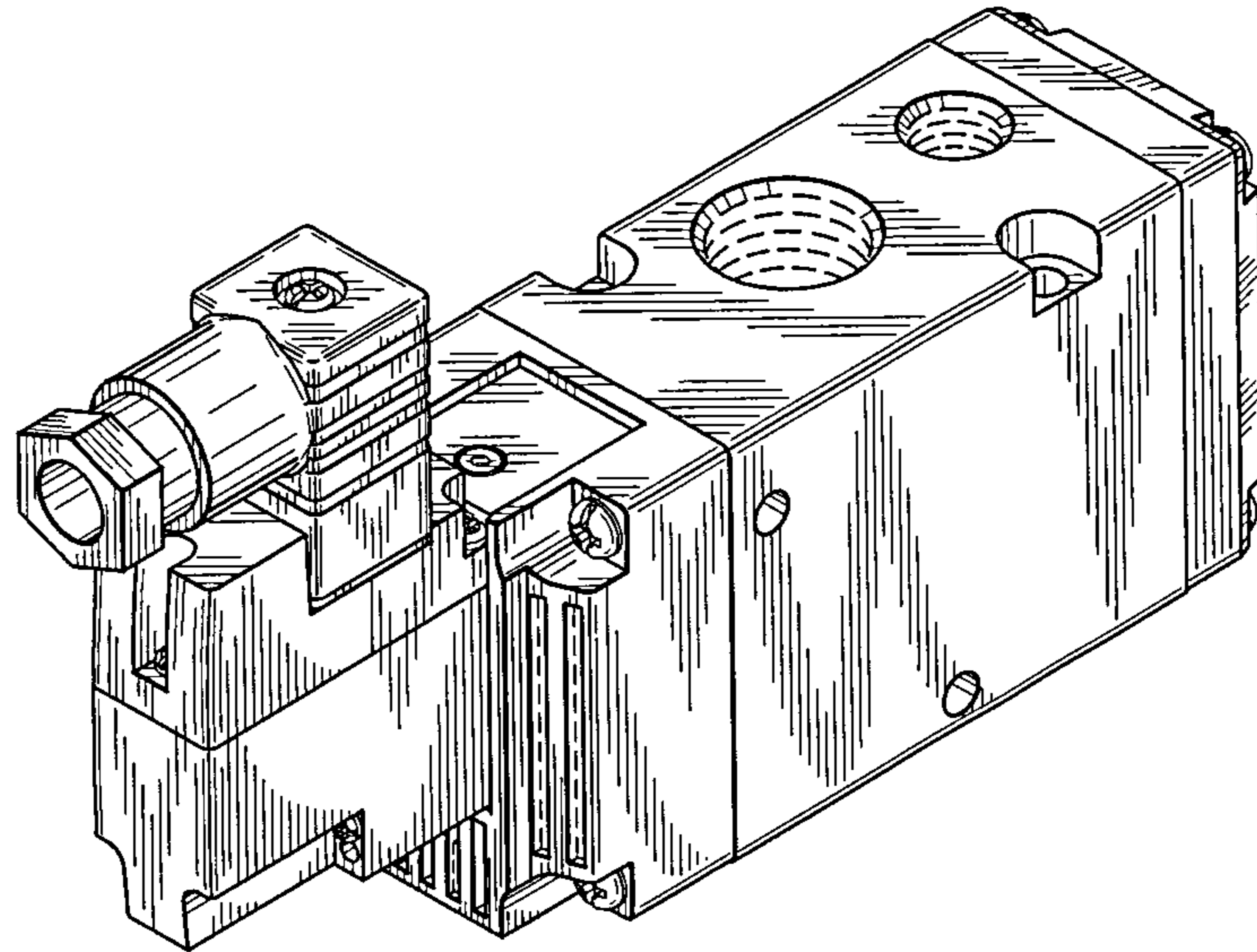
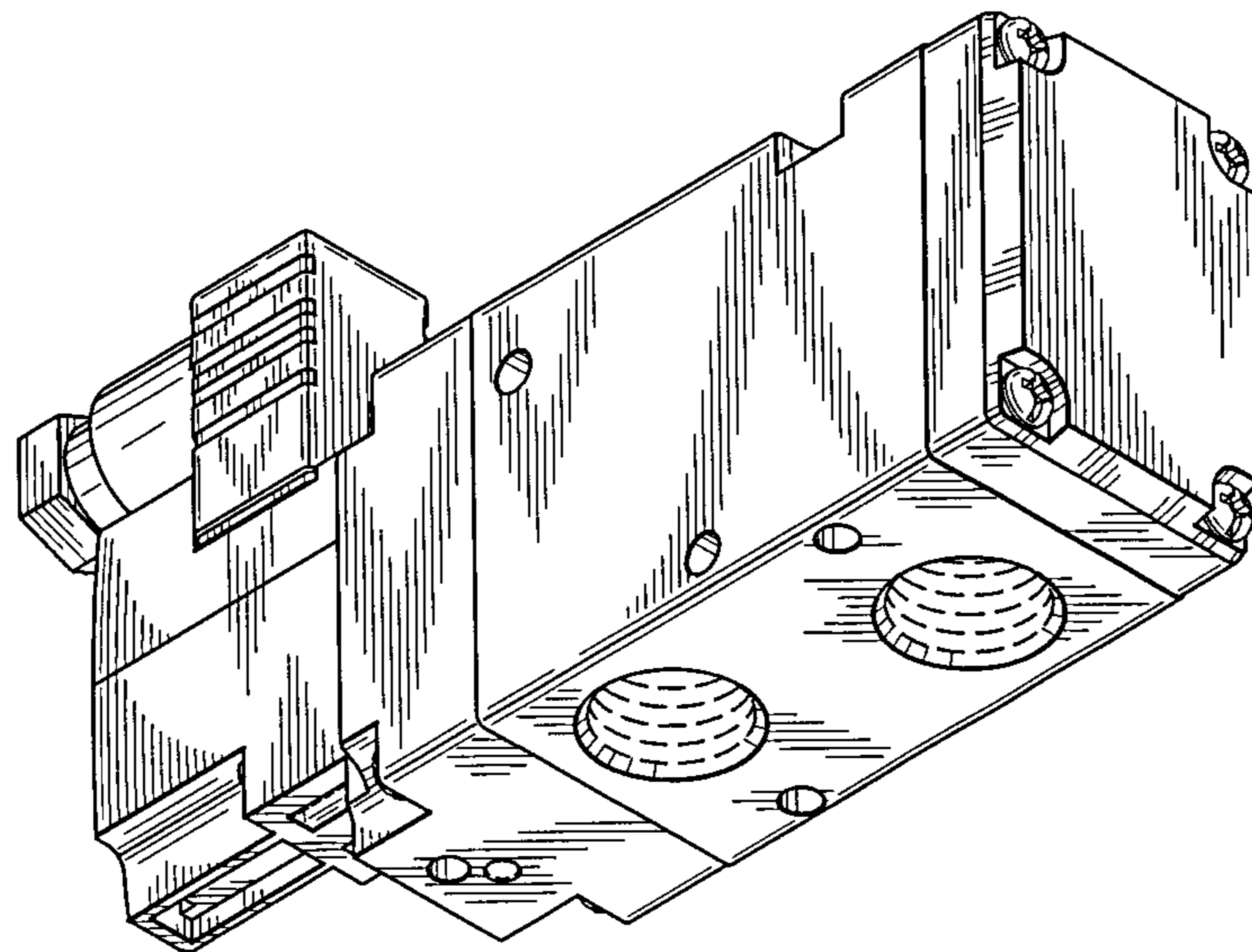


Fig. 2



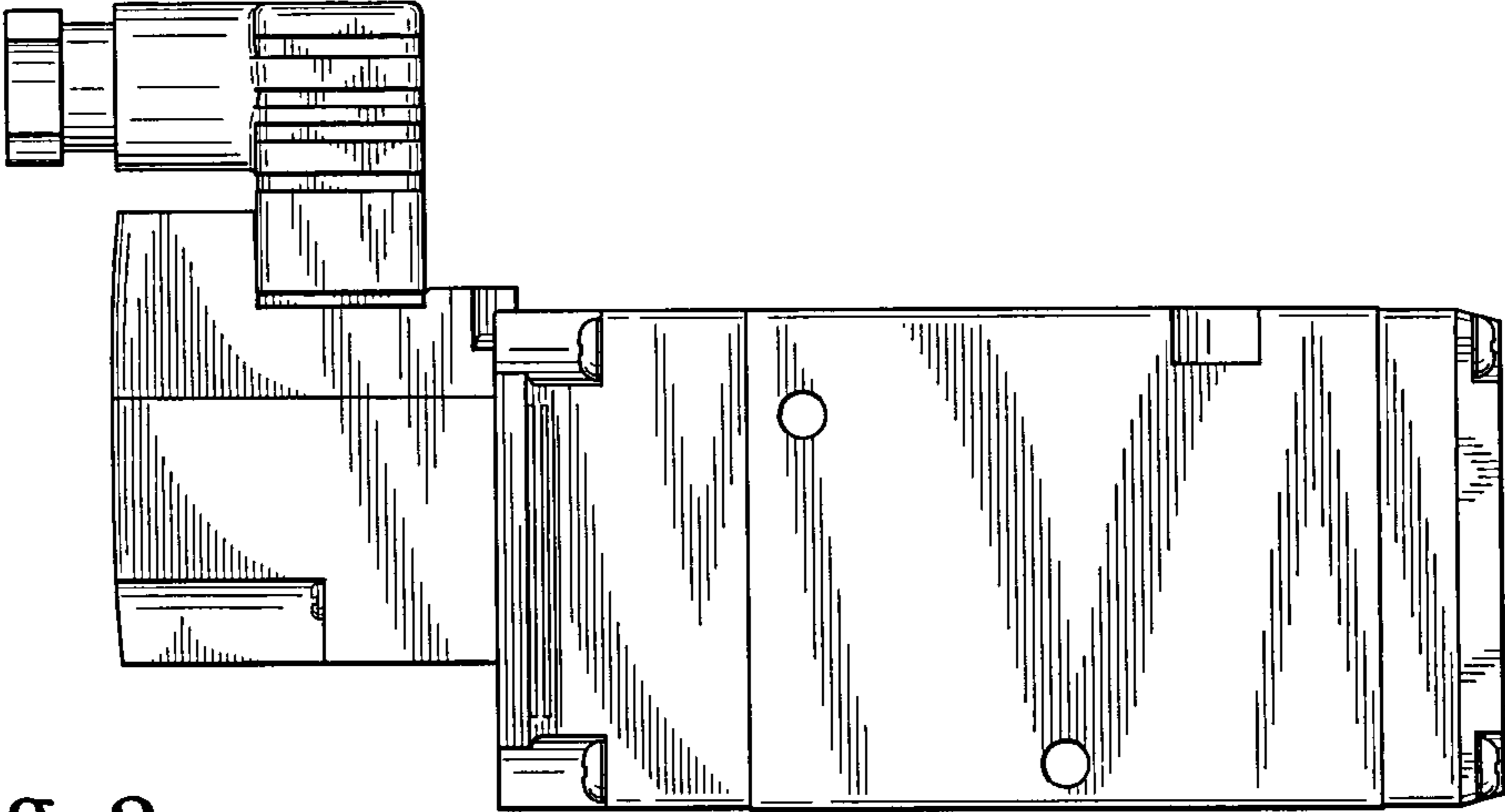


Fig. 3

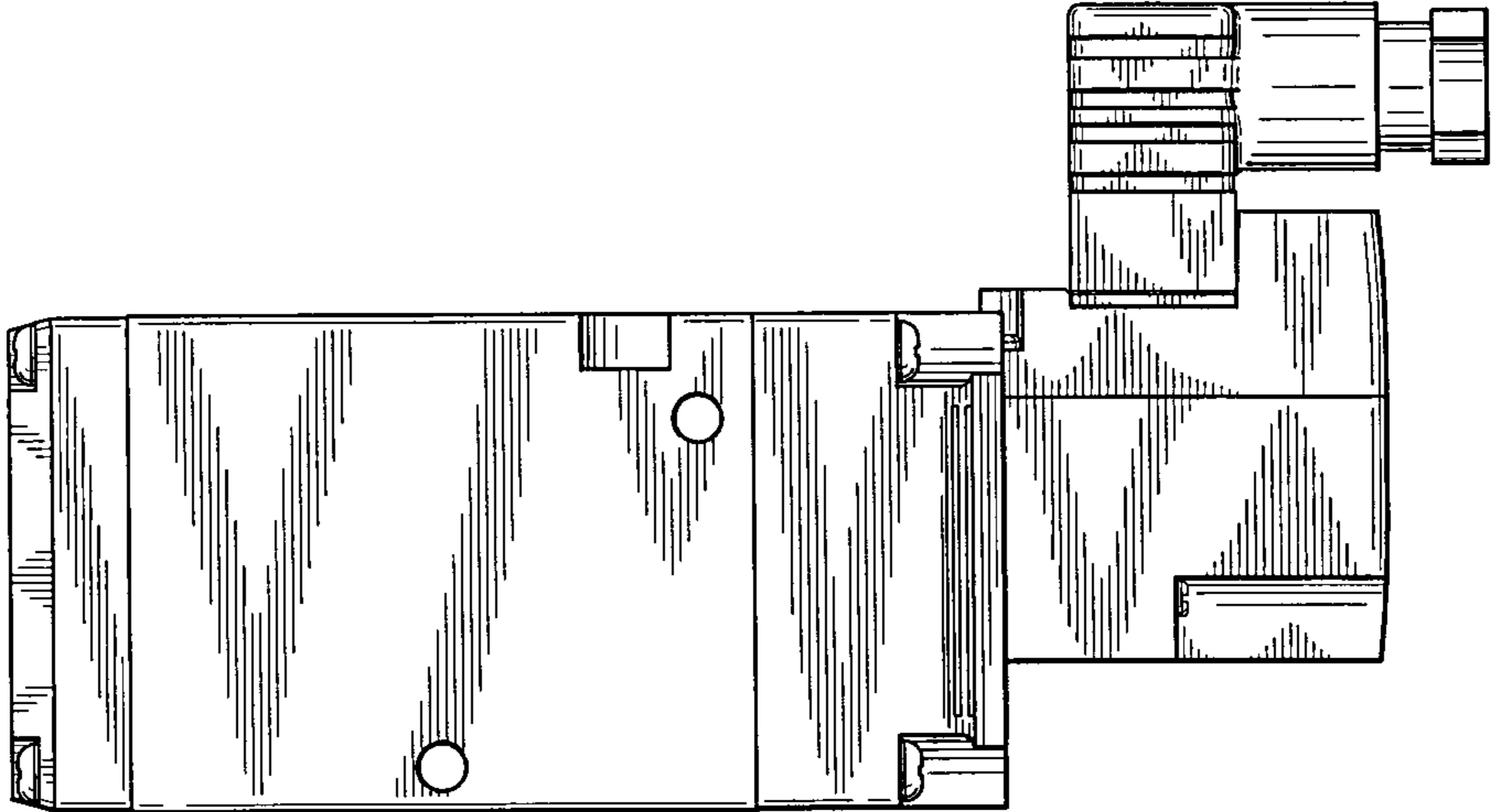


Fig. 4

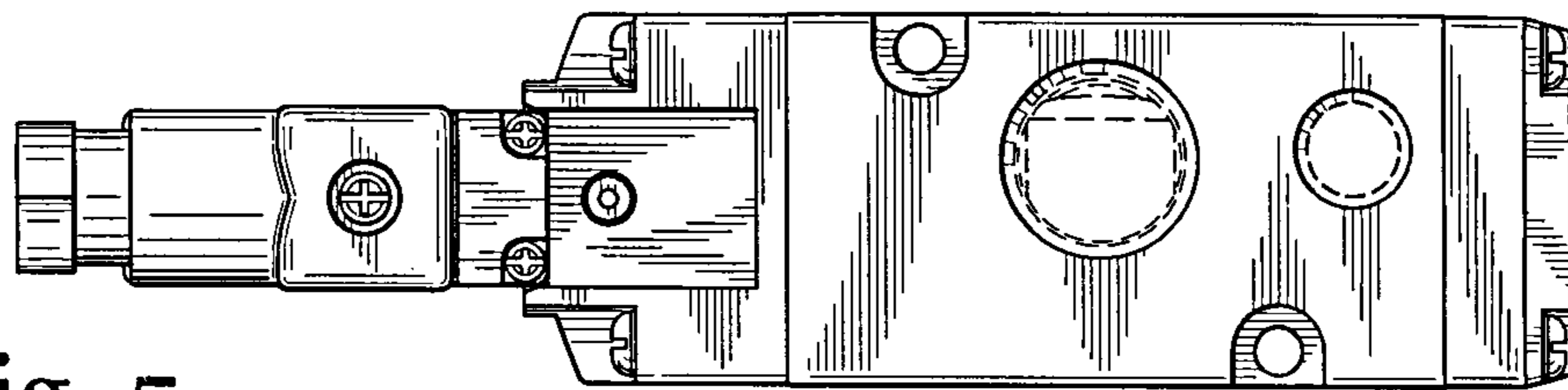


Fig. 5

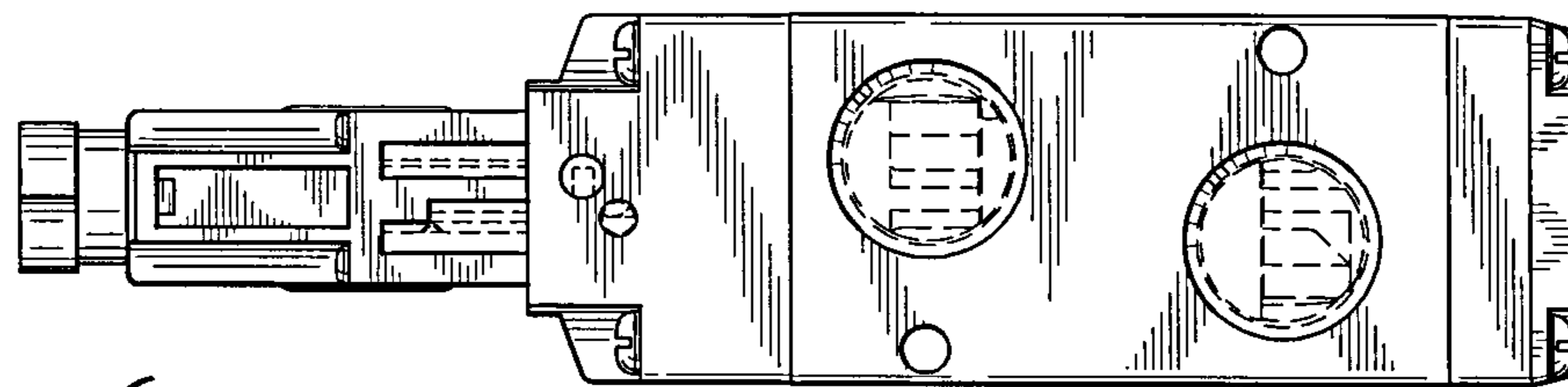


Fig. 6

Fig. 7

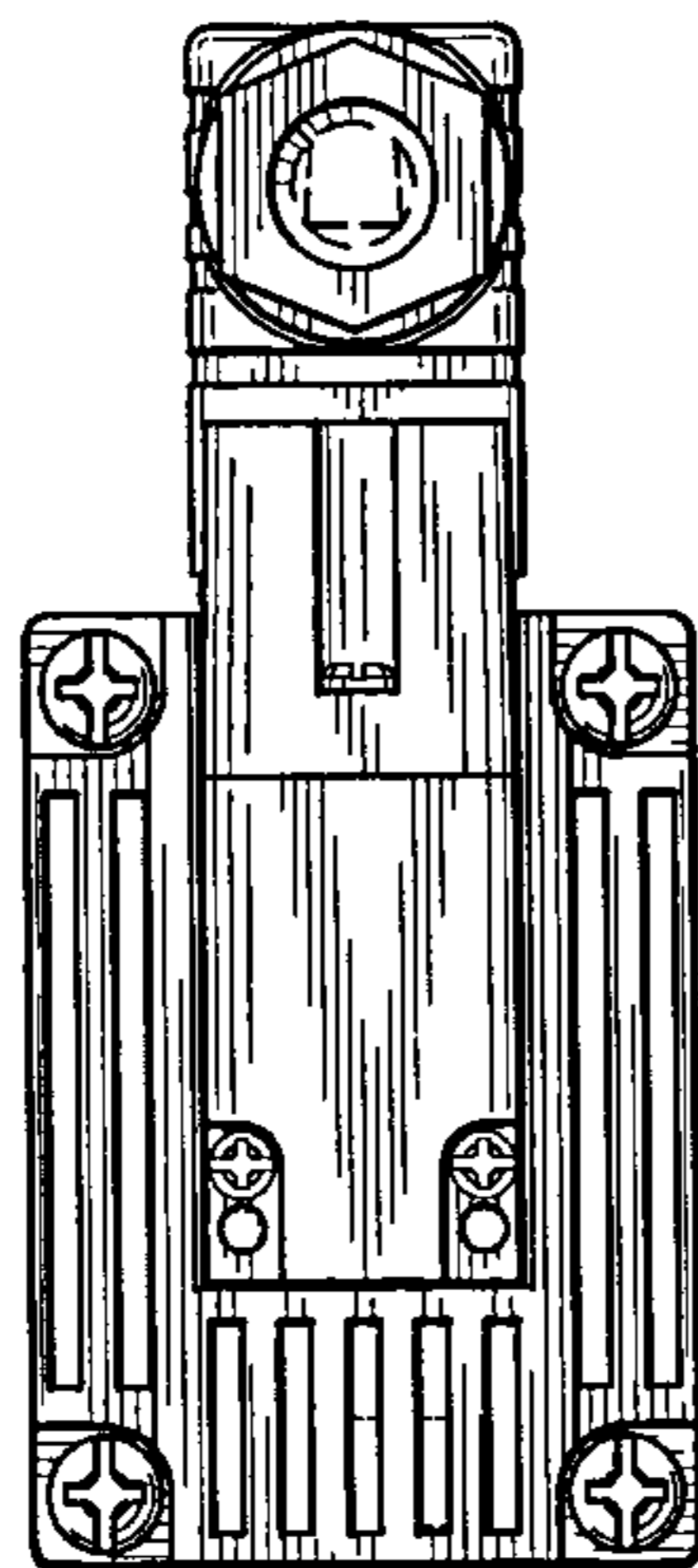


Fig. 8

