



US00D698896S

(12) **United States Design Patent**  
**Tsai**

(10) **Patent No.:** **US D698,896 S**  
(45) **Date of Patent:** **\*\* Feb. 4, 2014**

(54) **U-SHAPED SHOWER APPARATUS**

(71) Applicant: **Agreat Shower & Sanitary (Xiamen) Co., Ltd.**, Fujian Province (CN)

(72) Inventor: **Pi-Kuang Tsai**, Taichung (TW)

(73) Assignee: **Agreat Shower & Sanitary (Xiamen) Co., Ltd.**, Xiamen (CN)

(\*\*) Term: **14 Years**

(21) Appl. No.: **29/441,619**

(22) Filed: **Jan. 8, 2013**

(51) **LOC (10) Cl.** ..... **23-01**

(52) **U.S. Cl.**  
USPC ..... **D23/213**

(58) **Field of Classification Search**  
USPC ..... D23/213, 223, 229, 230; 239/282, 283, 239/556  
See application file for complete search history.

(56) **References Cited**

**U.S. PATENT DOCUMENTS**

D564,070 S \* 3/2008 Tsai ..... D23/229  
D628,676 S \* 12/2010 Lee ..... D23/213

D629,867 S \* 12/2010 Rexach et al. .... D23/213

\* cited by examiner

*Primary Examiner* — Robin V Webster

(74) *Attorney, Agent, or Firm* — Chun-Ming Shih

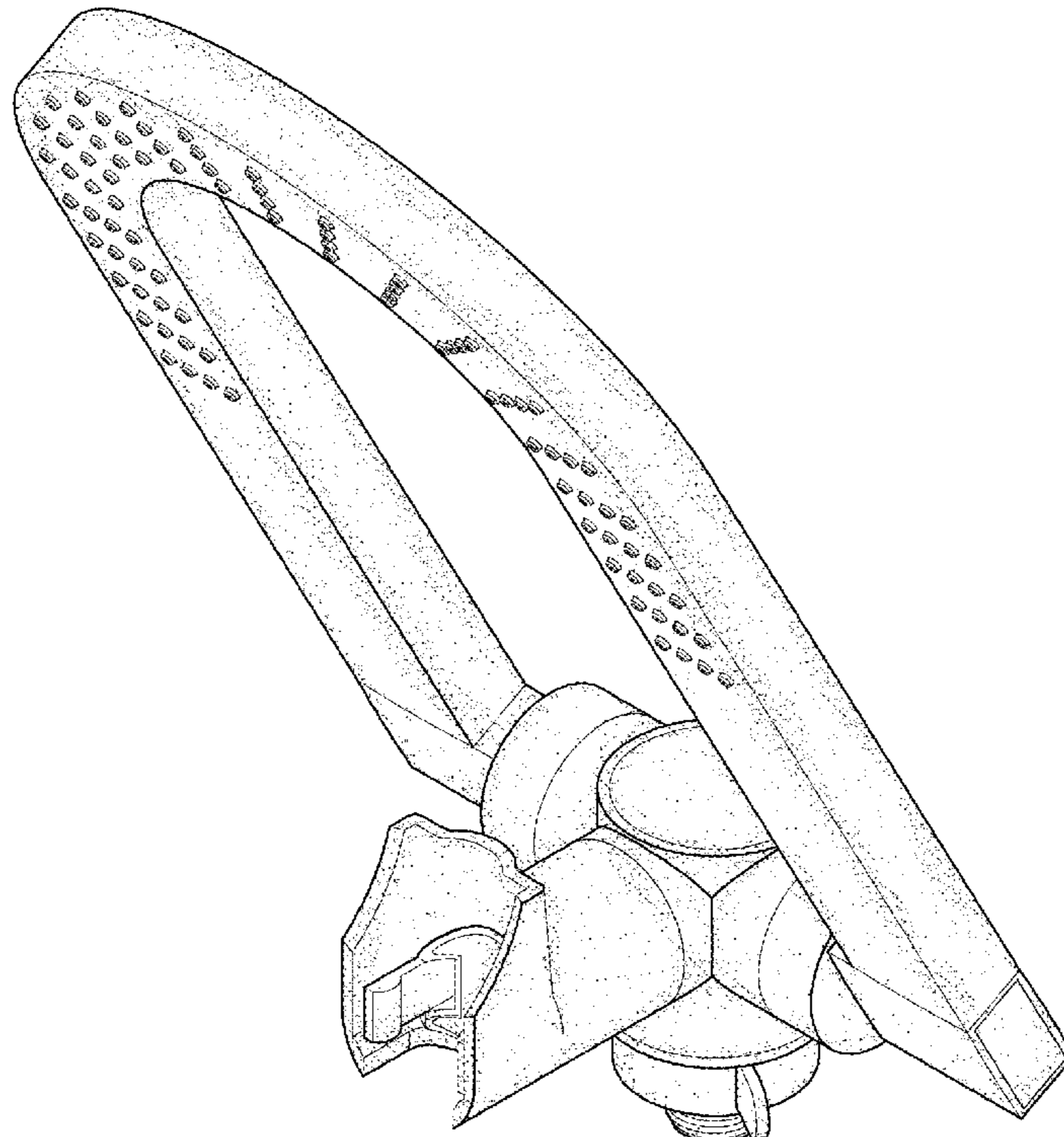
(57) **CLAIM**

The ornamental design for a U-shaped shower apparatus, as shown and described.

**DESCRIPTION**

FIG. 1 is a front right perspective view of a U-shaped shower apparatus showing my new design; FIG. 2 is a front perspective view thereof; FIG. 3 is a rear perspective view thereof; FIG. 4 is a left side elevation view thereof; FIG. 5 is a right side elevation view thereof; FIG. 6 is a top plan view thereof; FIG. 7 is a bottom plan view thereof; FIG. 8 is a front left perspective view; FIG. 9 is a front right bottom plan view thereof; FIG. 10 is a rear right perspective view thereof; and, FIG. 11 is an another perspective view illustrating the device the present invention in use. The broken line showing of a handheld shower head in FIG. 11 is included for the purpose of illustrating and forms no part of the claimed design.

**1 Claim, 11 Drawing Sheets**



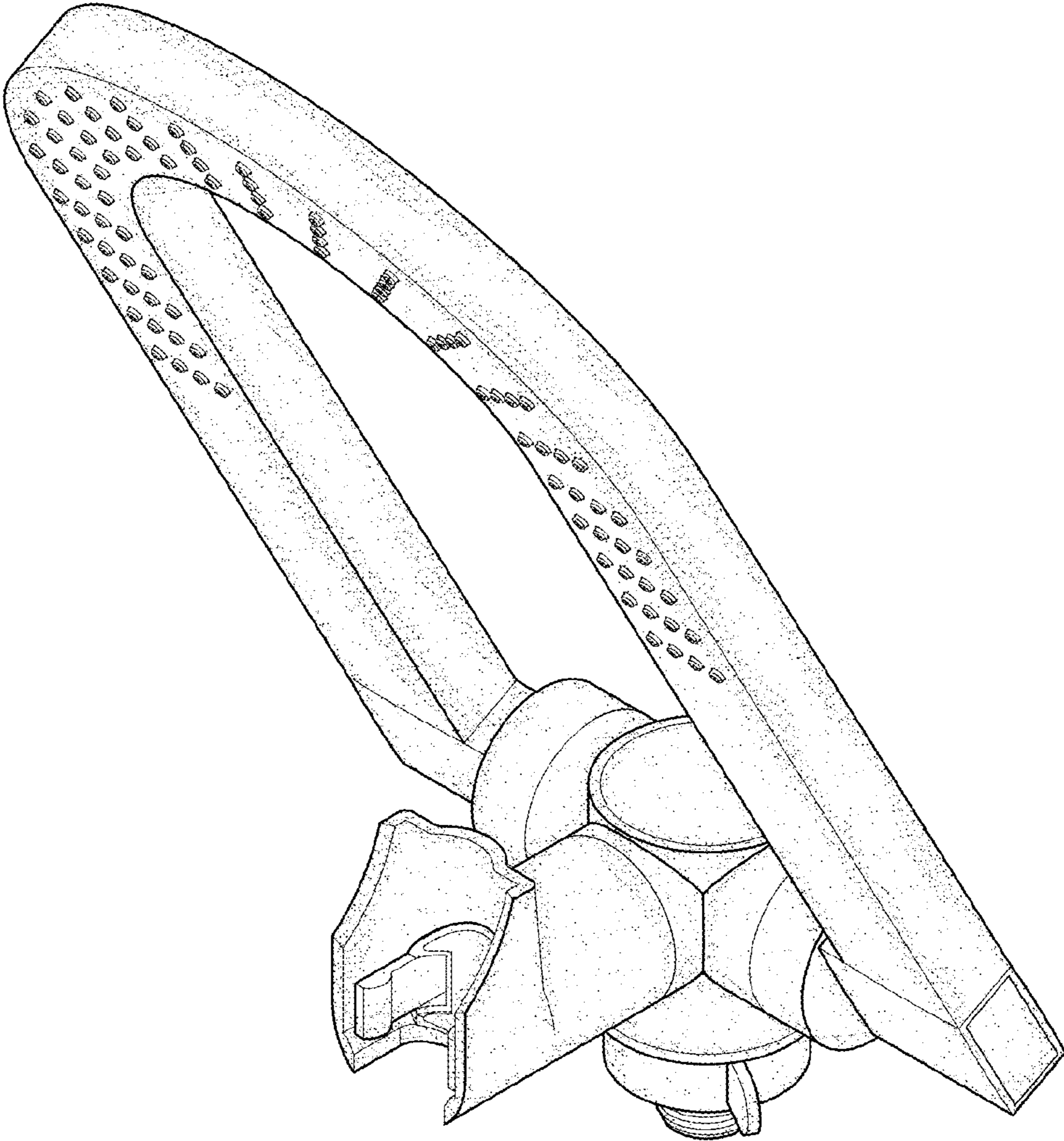


Fig. 1

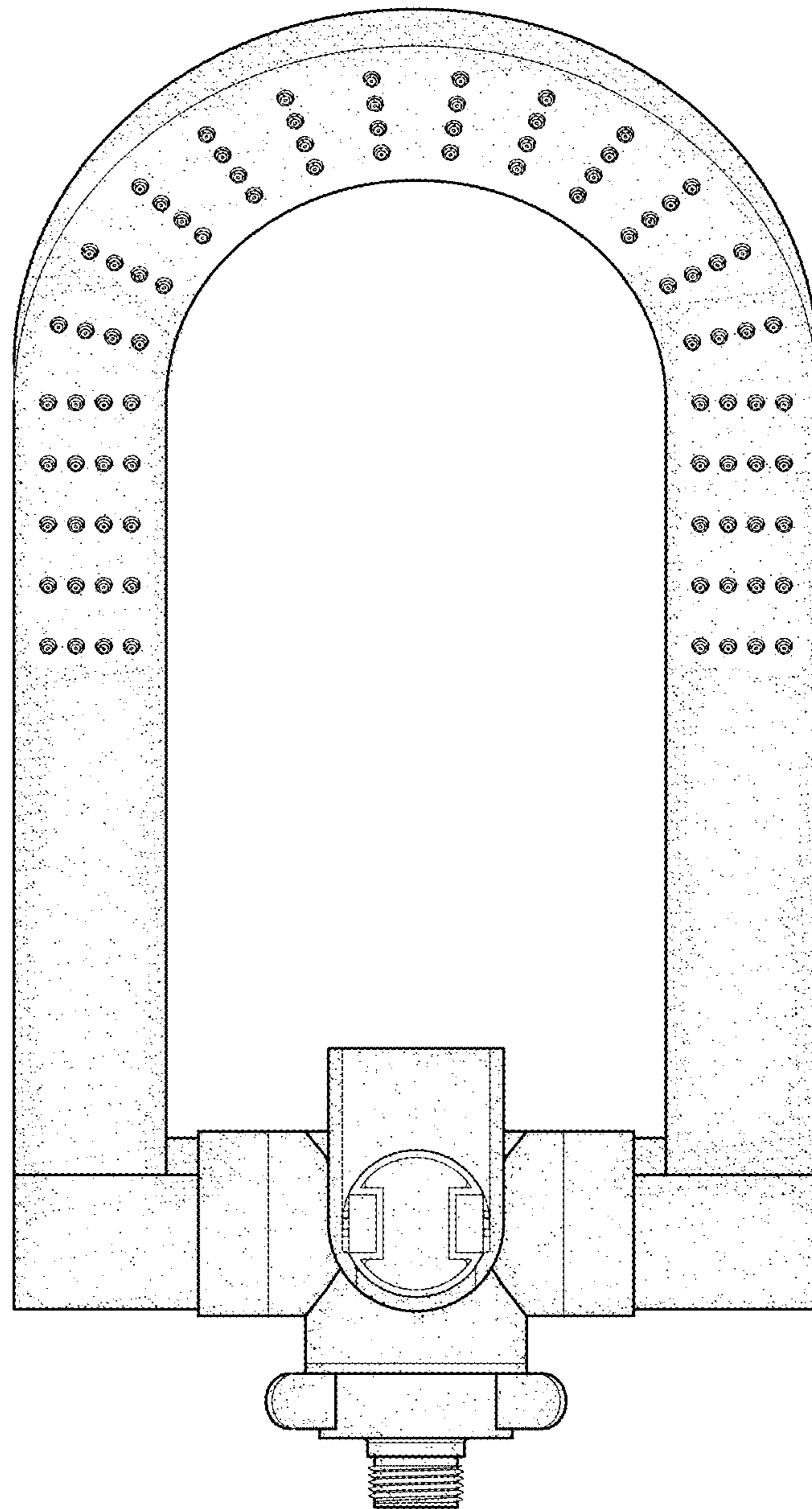


Fig. 2



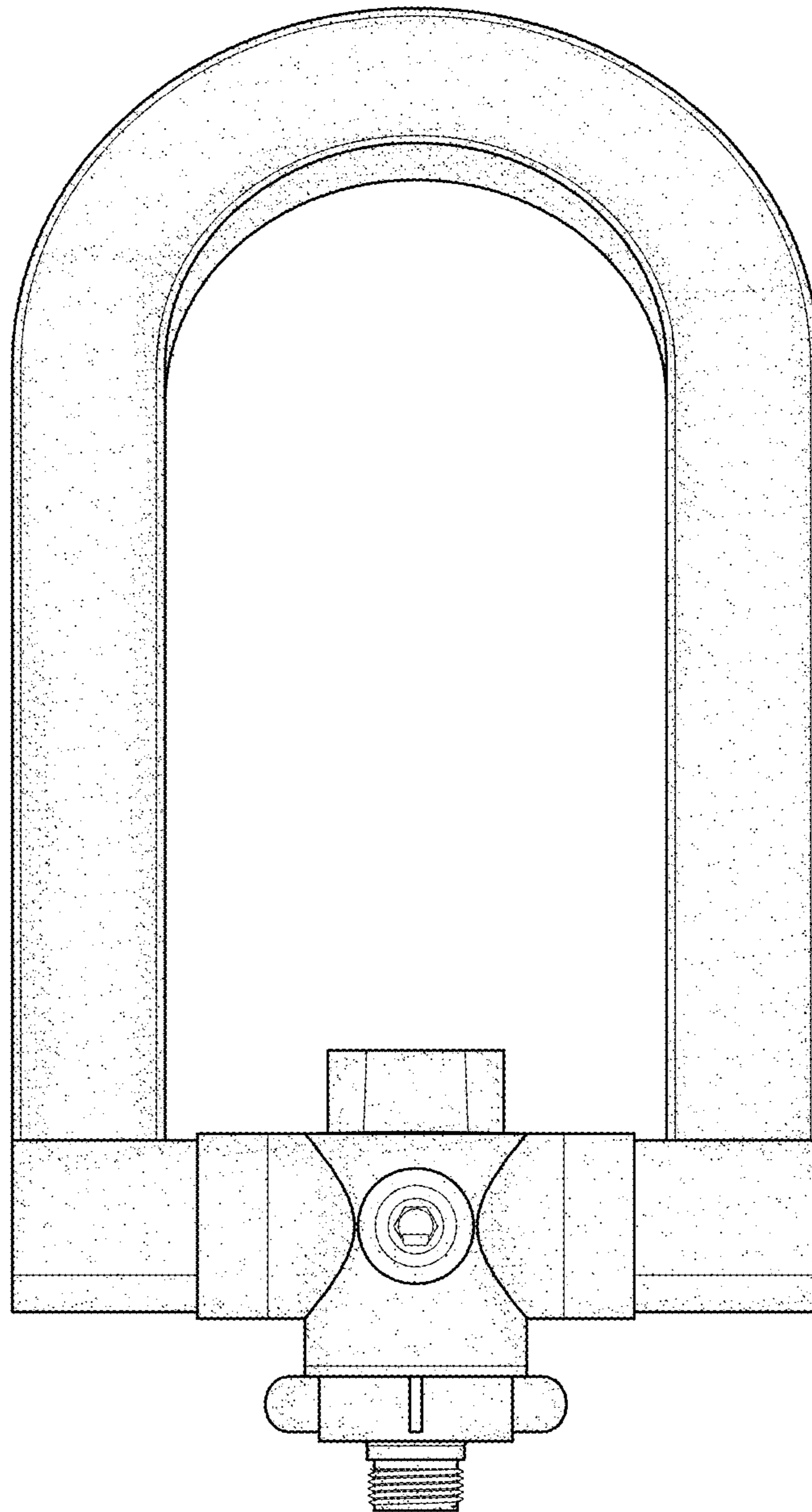


Fig. 3

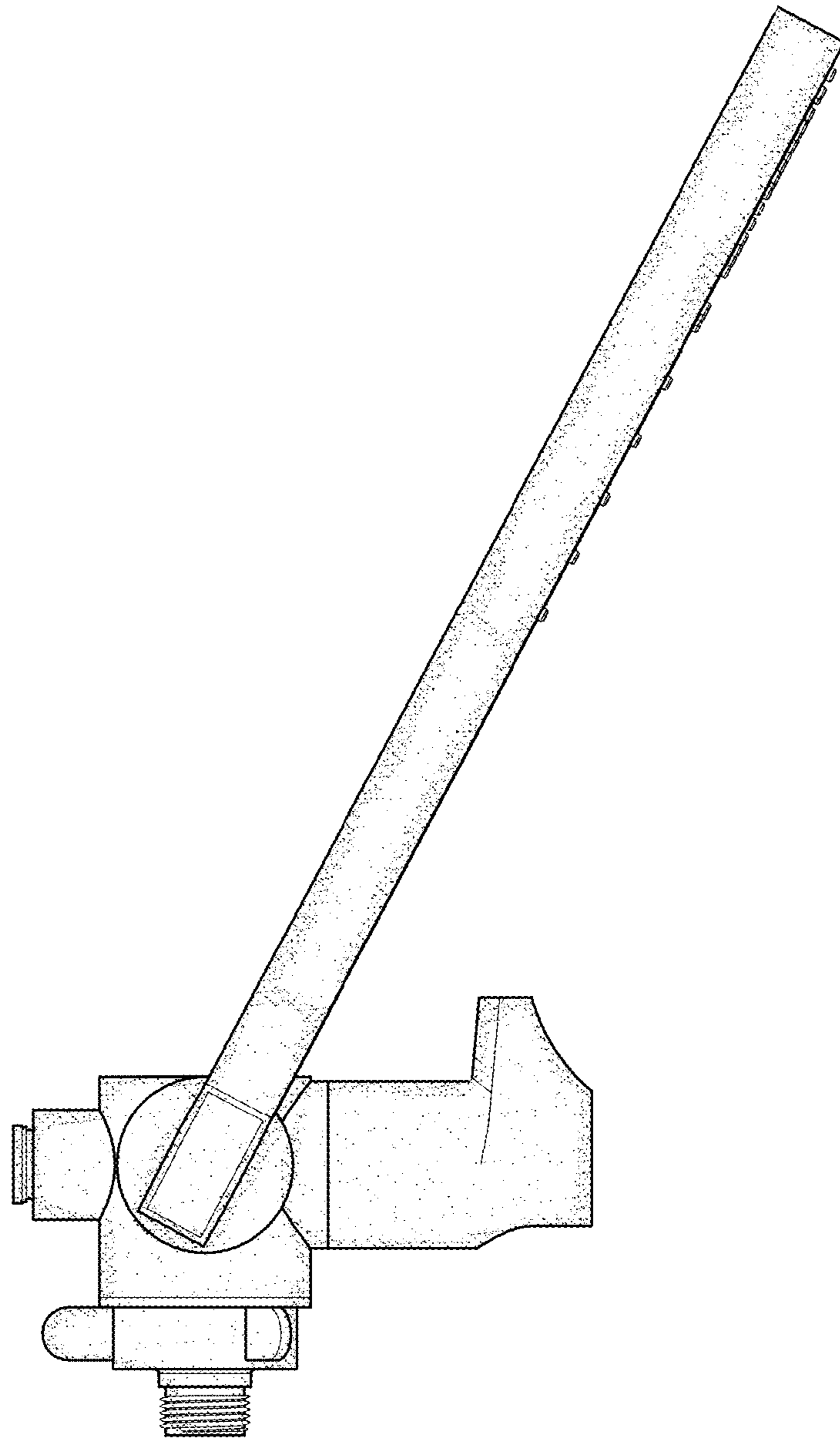


Fig. 4

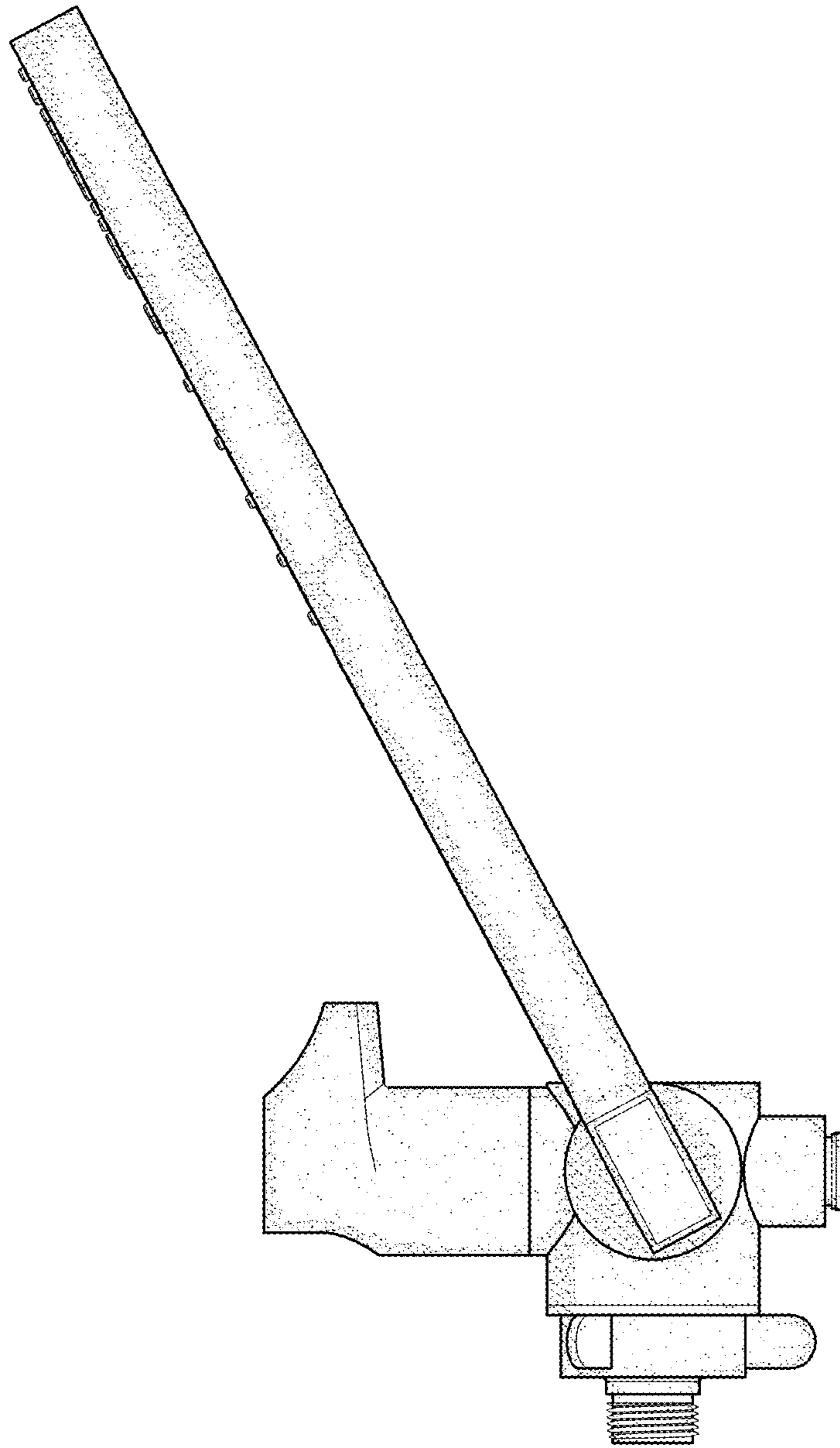


Fig. 5

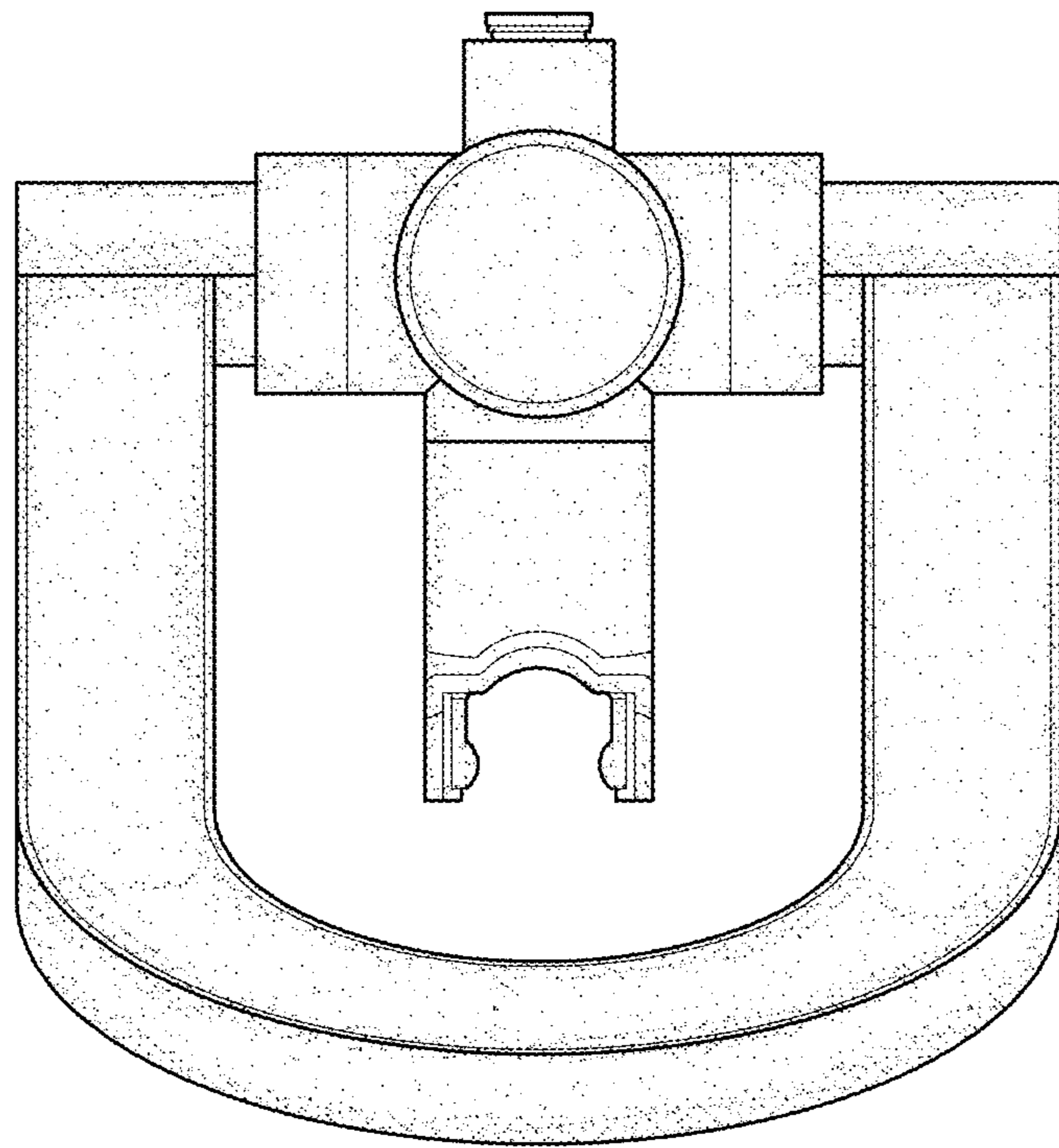


Fig. 6

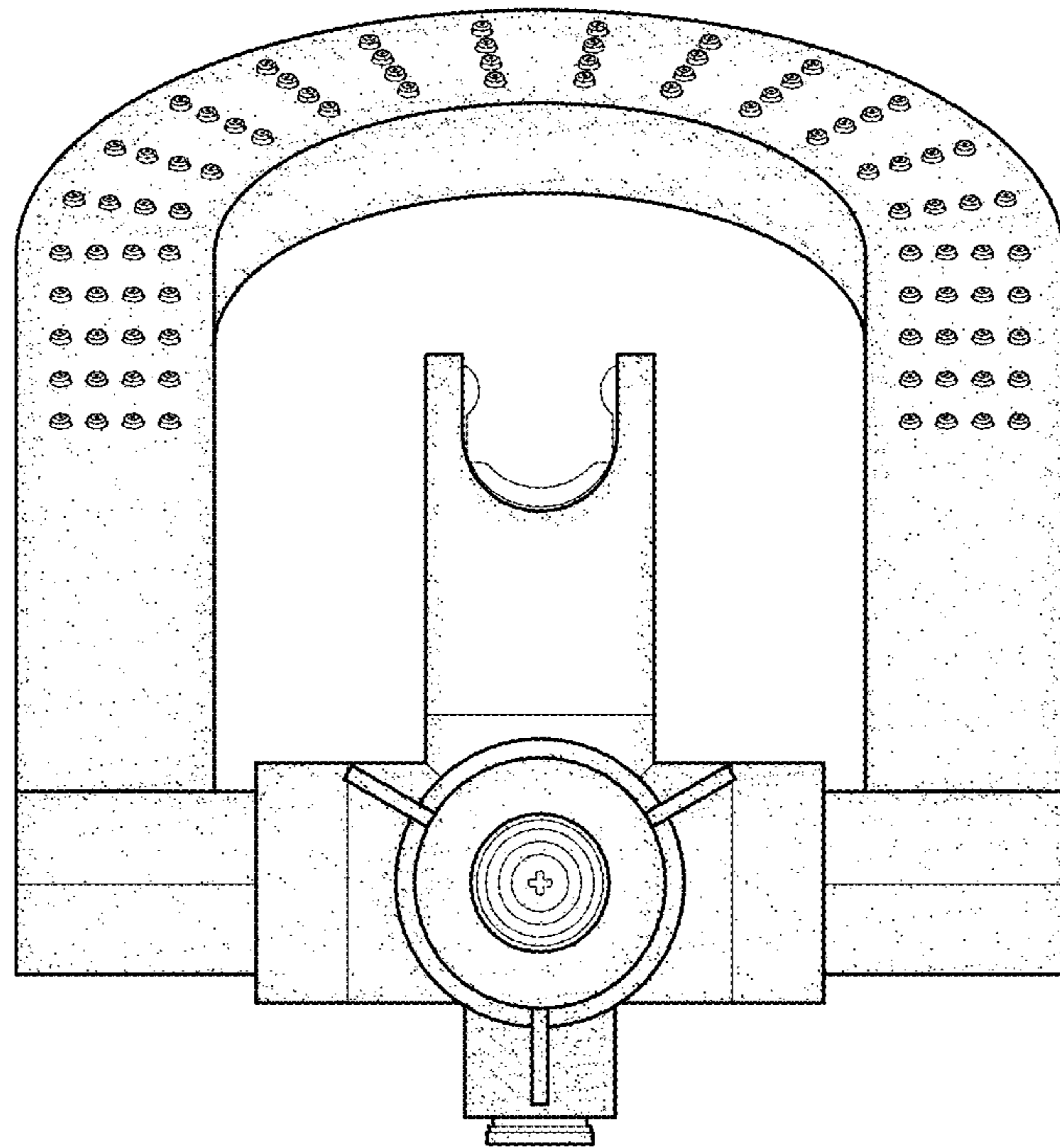


Fig. 7



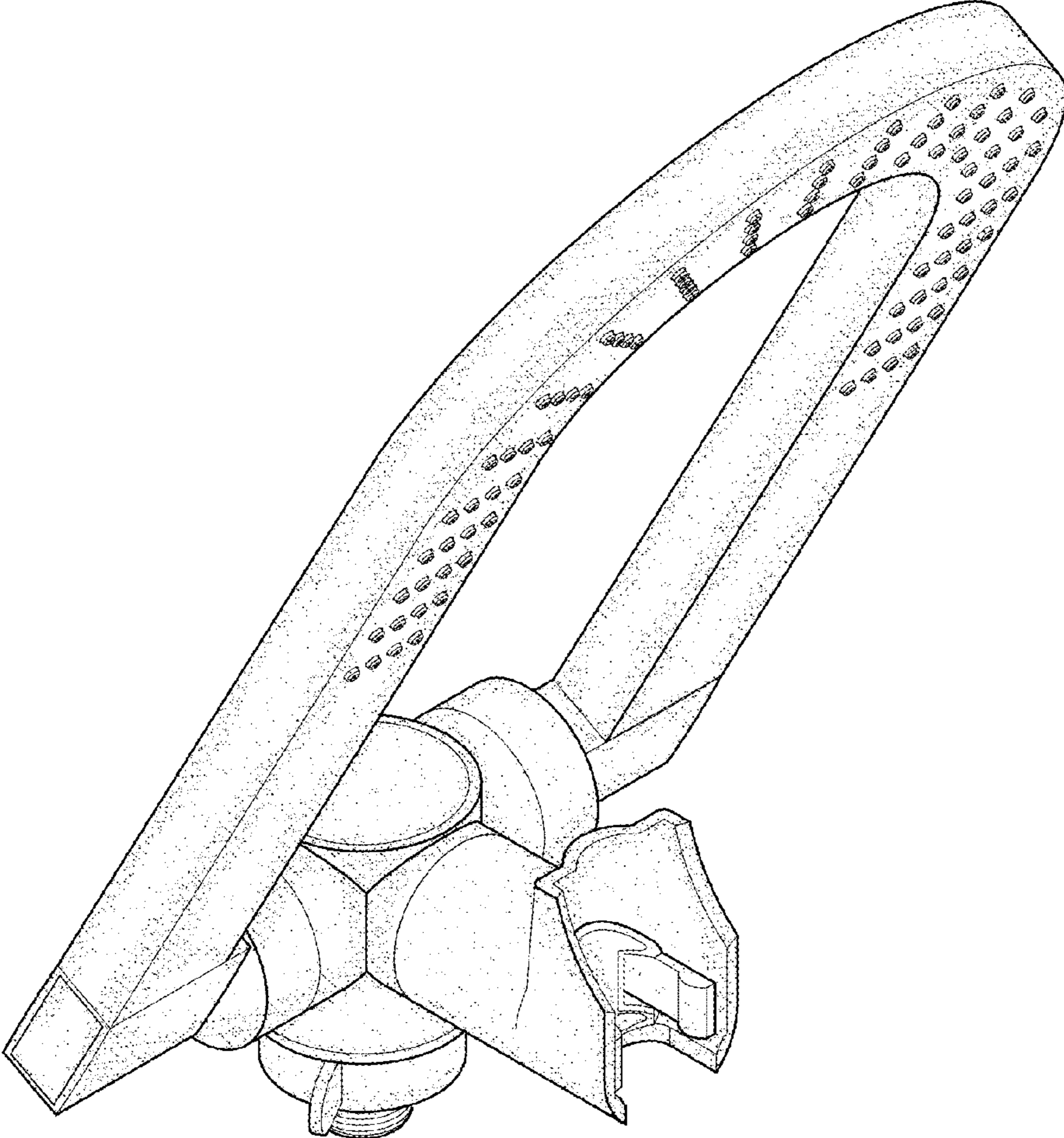


Fig. 8

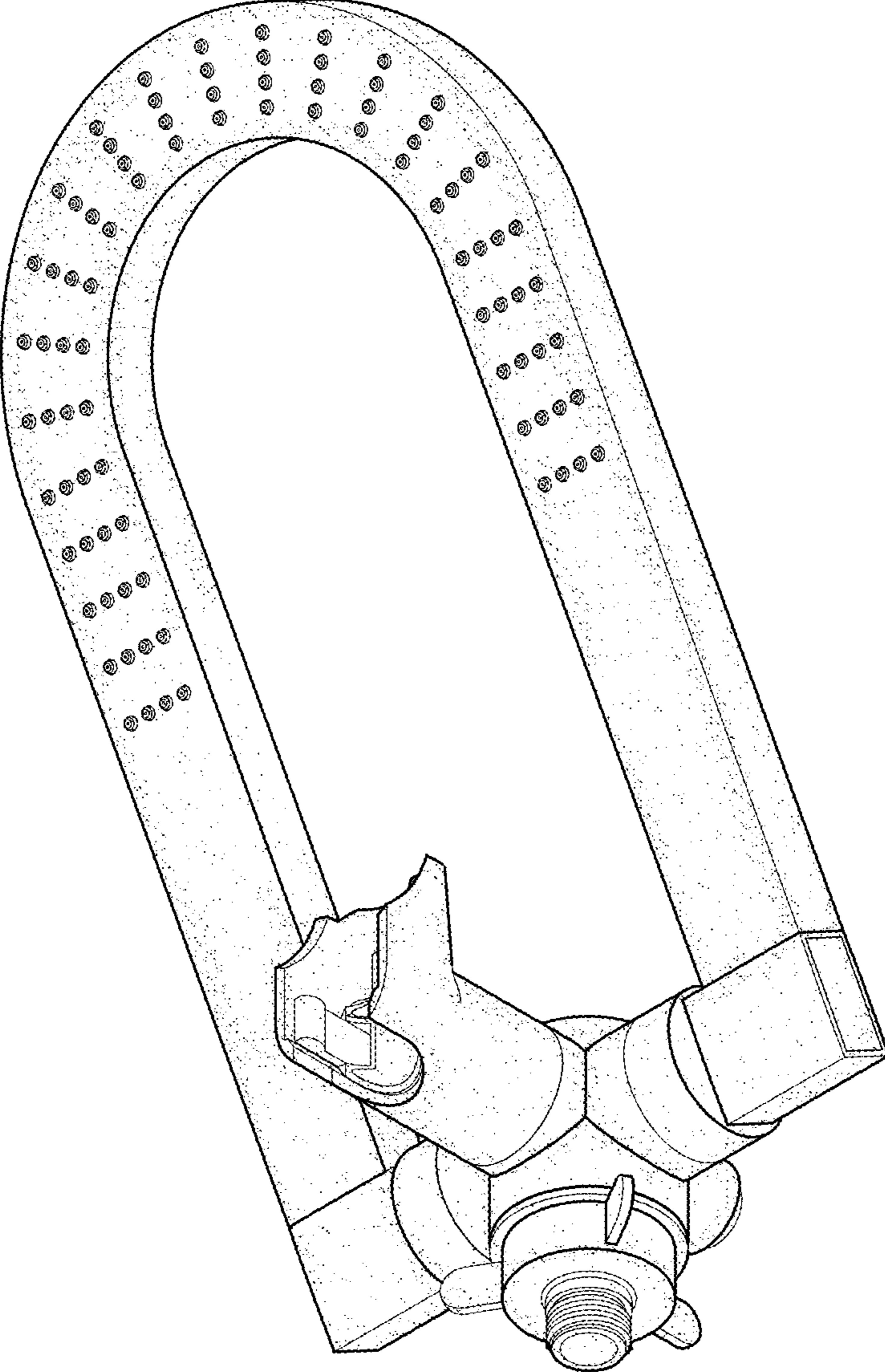


Fig. 9

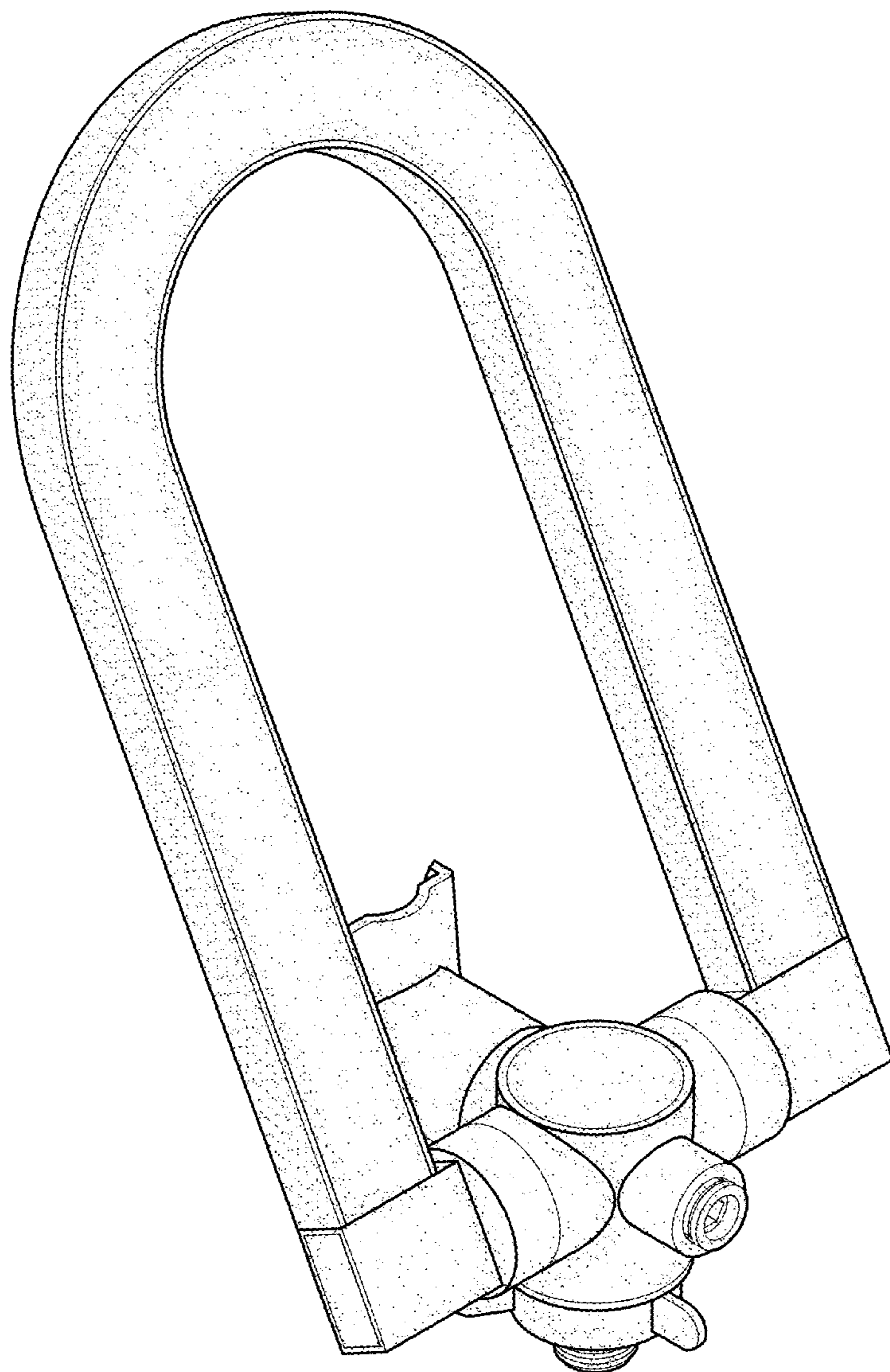


Fig. 10

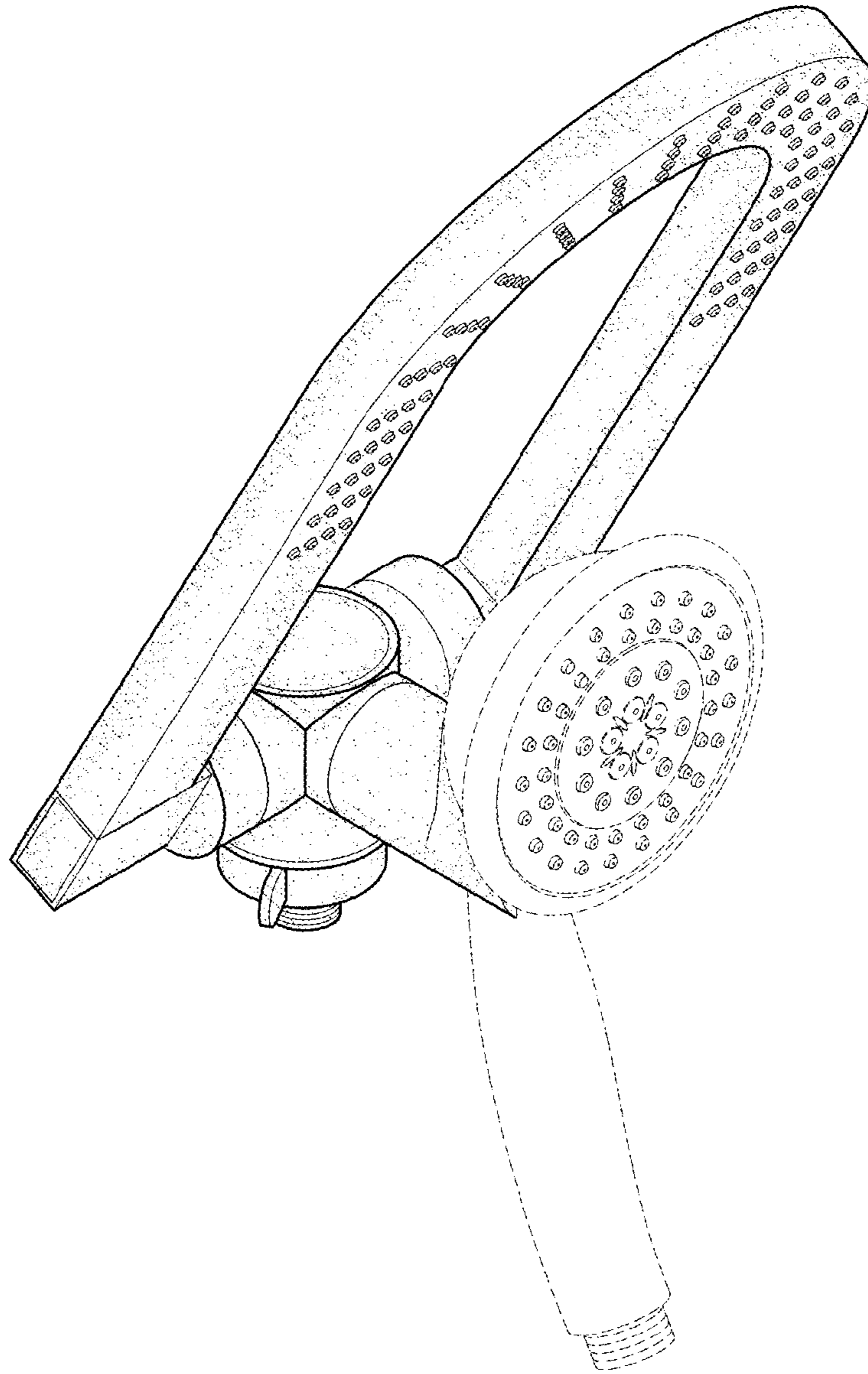


Fig. 11