



US00D698889S

(12) **United States Design Patent**
Zabalo Ondarra

(10) **Patent No.:** **US D698,889 S**

(45) **Date of Patent:** **** Feb. 4, 2014**

(54) **SPRAY CAN**

(71) Applicant: **Arkaitz Zabalo Ondarra**, Antzuola
(ES)

(72) Inventor: **Arkaitz Zabalo Ondarra**, Antzuola
(ES)

(73) Assignee: **Goizper, S. Coop.**, Antzuola (Gipuzkoa)
(ES)

(**) Term: **14 Years**

(21) Appl. No.: **29/447,762**

(22) Filed: **Mar. 6, 2013**

(30) **Foreign Application Priority Data**

Sep. 7, 2012 (EM) 002099127

(51) **LOC (10) Cl.** **23-01**

(52) **U.S. Cl.**
USPC **D23/202; D23/225**

(58) **Field of Classification Search**
USPC D23/202, 225, 213; 239/302, 308, 310,
239/332, 333, 337; 222/465.1

See application file for complete search history.

(56) **References Cited**

U.S. PATENT DOCUMENTS

5,609,272 A *	3/1997	Brass et al.	222/147
7,789,275 B2 *	9/2010	Englhard et al.	222/385
D652,111 S *	1/2012	DeLorme	D23/225
D664,236 S *	7/2012	Hudson et al.	D23/225

* cited by examiner

Primary Examiner — Robin V Webster

(74) *Attorney, Agent, or Firm* — Fross Zelnick Lehrman & Zissu, P.C.; Charles T. J. Weigell, Esq.

(57) **CLAIM**

The ornamental design for a spray can, as shown and described.

DESCRIPTION

FIG. 1 is a front perspective view of a spray can showing my new design;

FIG. 2 is a front view of the spray can shown in FIG. 1;

FIG. 3 is a rear view of the spray can shown in FIG. 1;

FIG. 4 is a left side view of the spray can shown in FIG. 1;

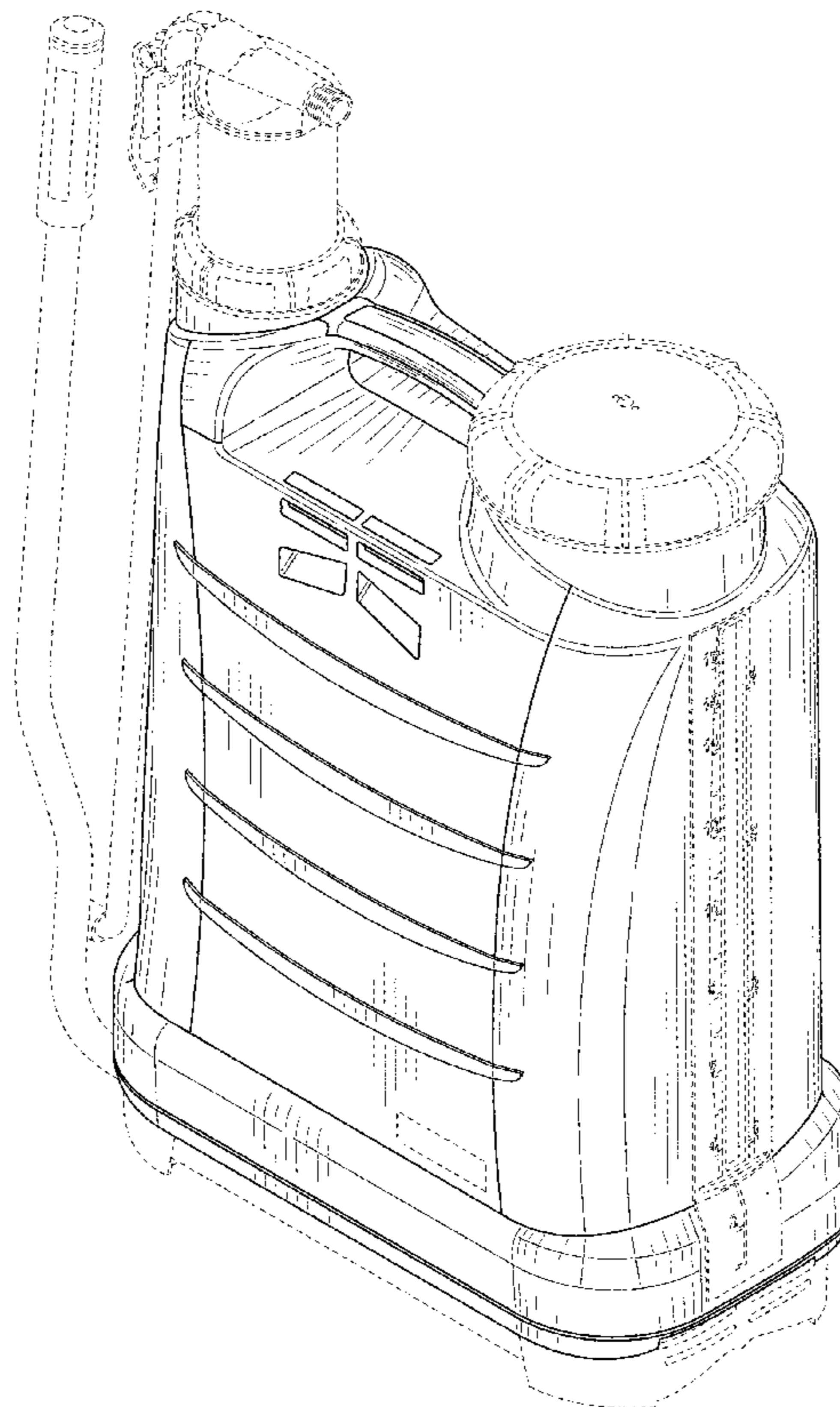
FIG. 5 is a right side view of the spray can shown in FIG. 1;

FIG. 6 is a top plan view of the spray can shown in FIG. 1; and,

FIG. 7 is a bottom view of the spray can shown in FIG. 1.

The broken line depicting the spray nozzle, hose, handle, side indicator, caps, portions of the bottom, and portion of the front, shows unclaimed subject matter.

1 Claim, 6 Drawing Sheets



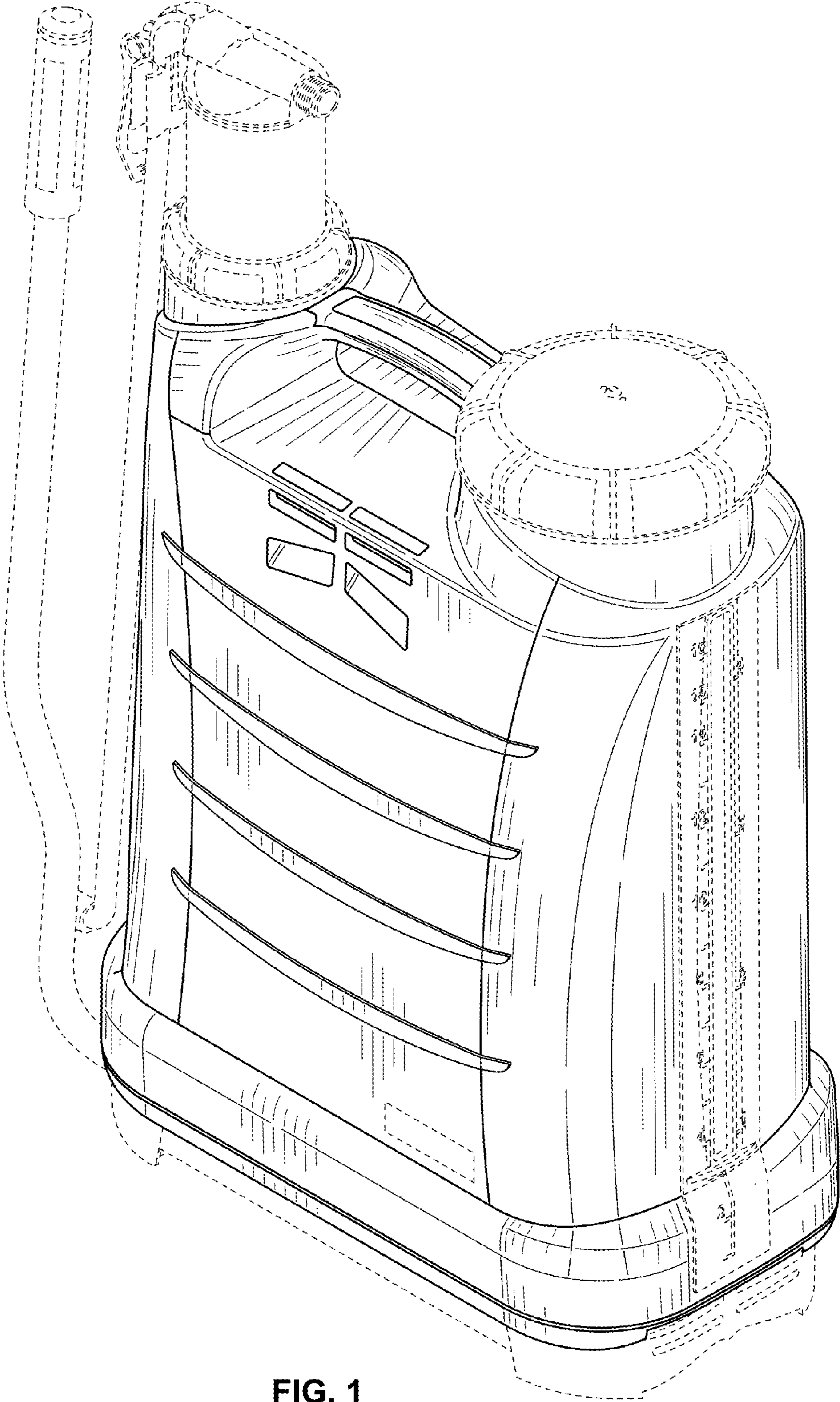


FIG. 1

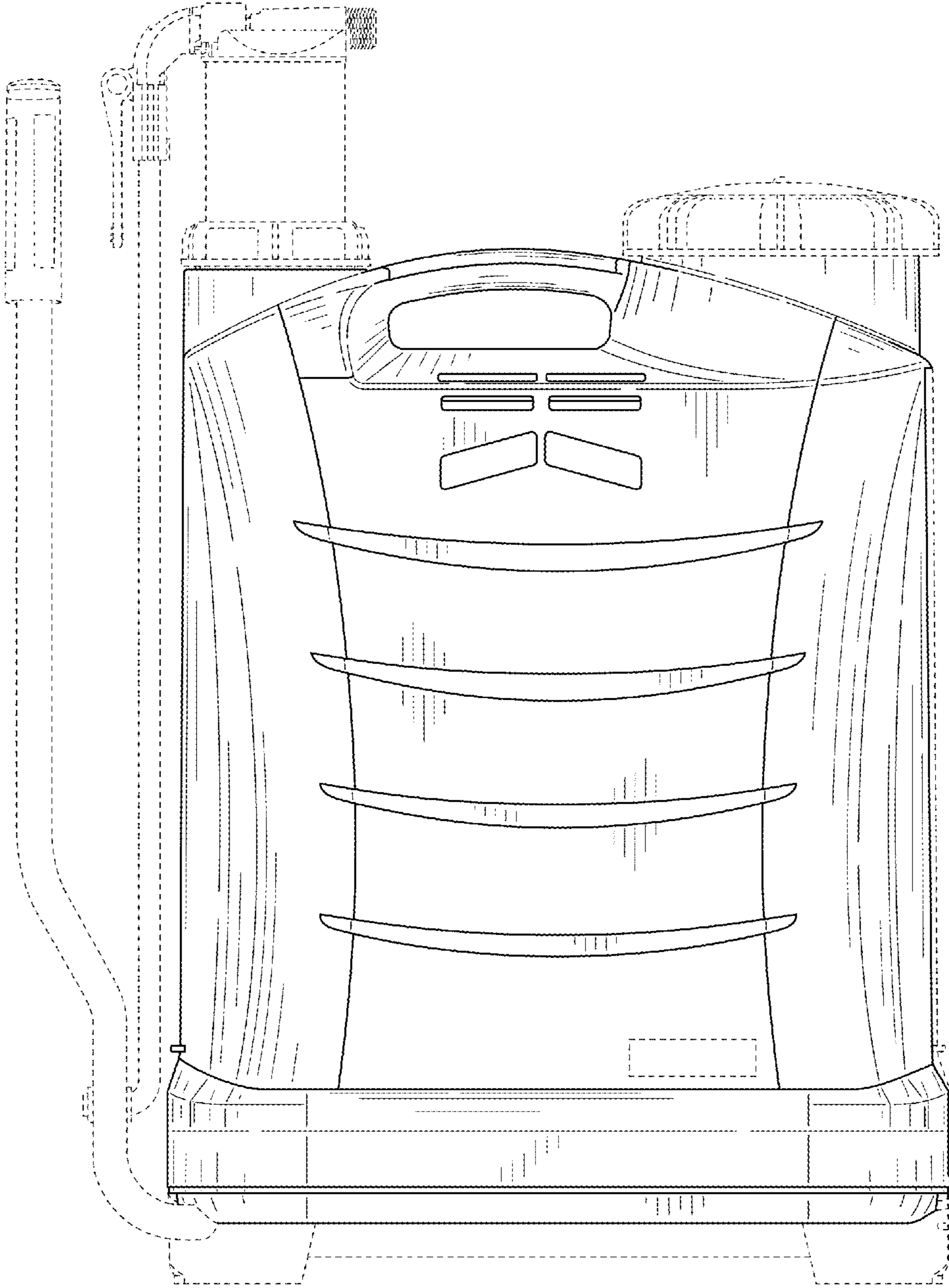


FIG. 2

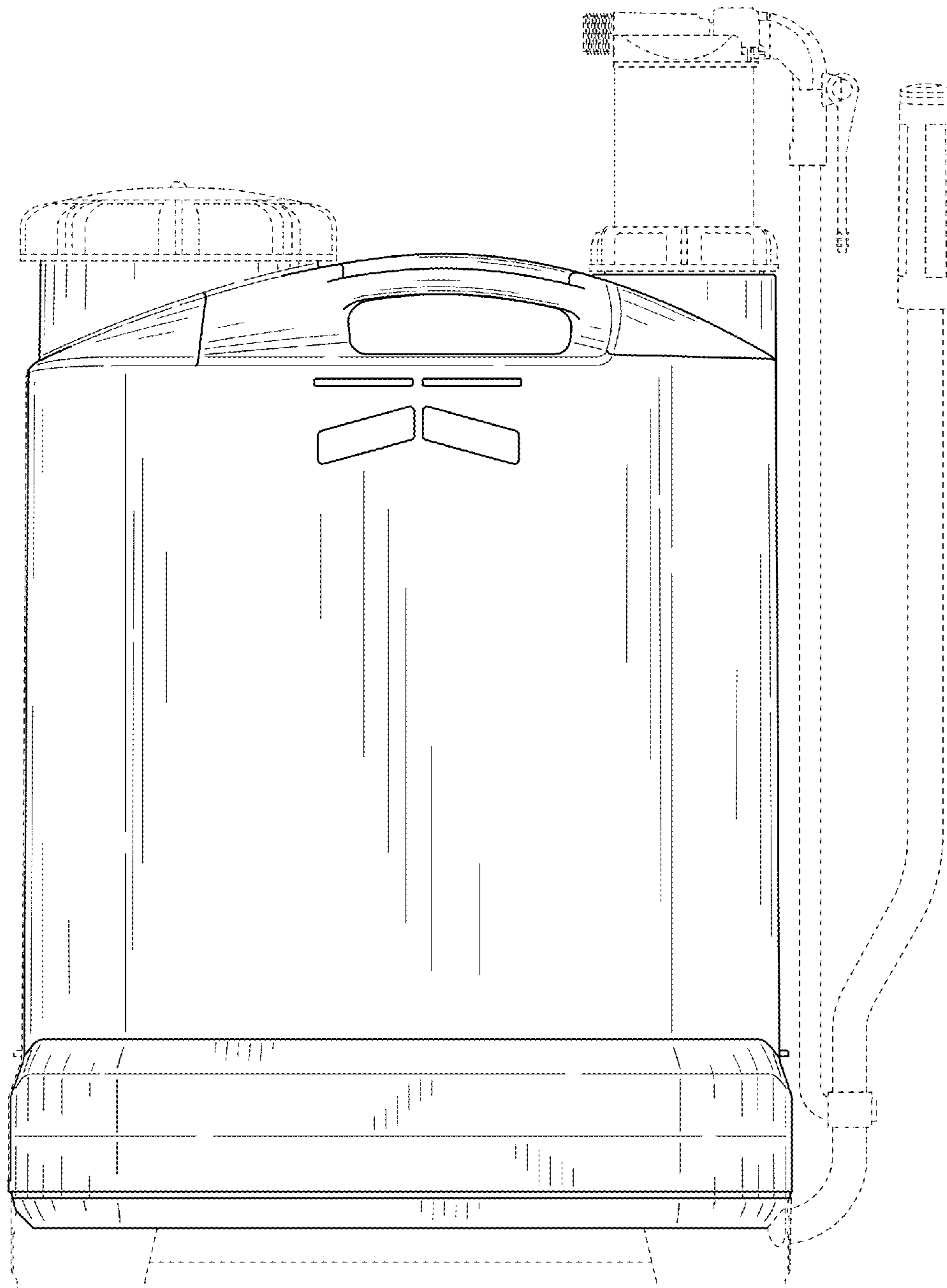


FIG. 3

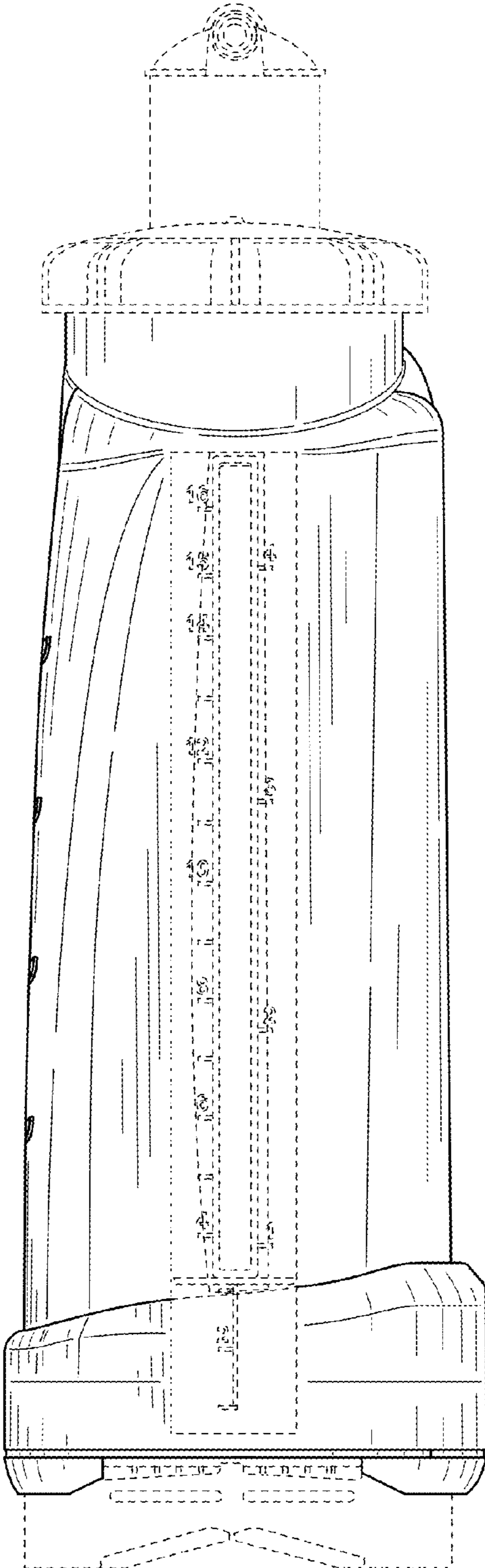


FIG. 4

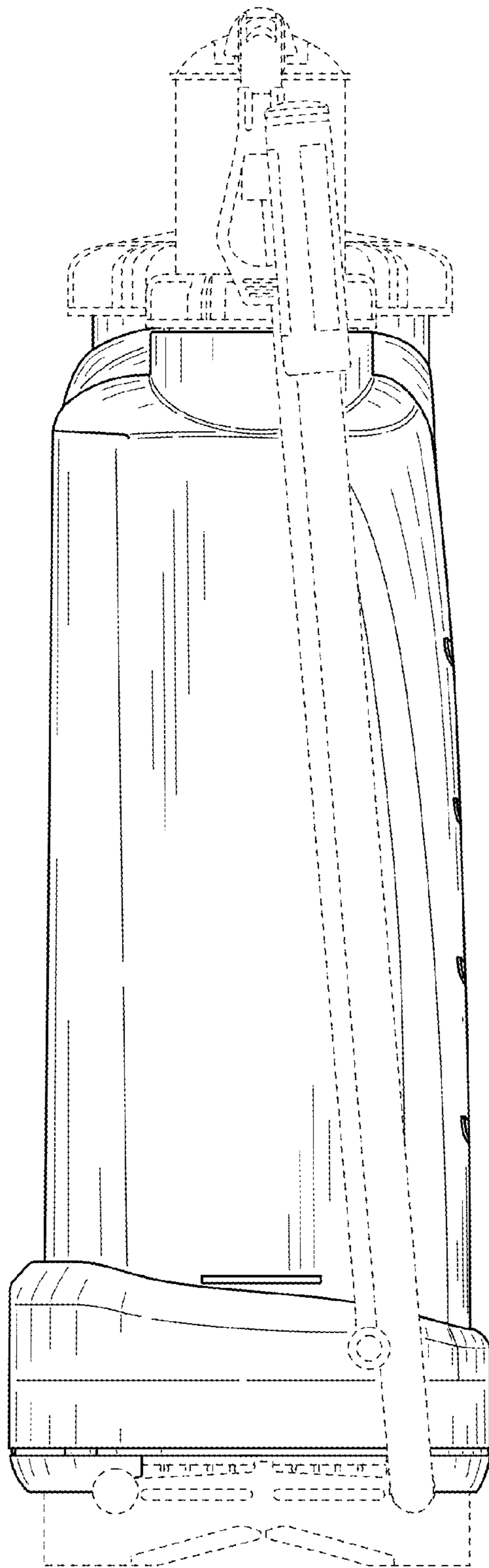


FIG. 5

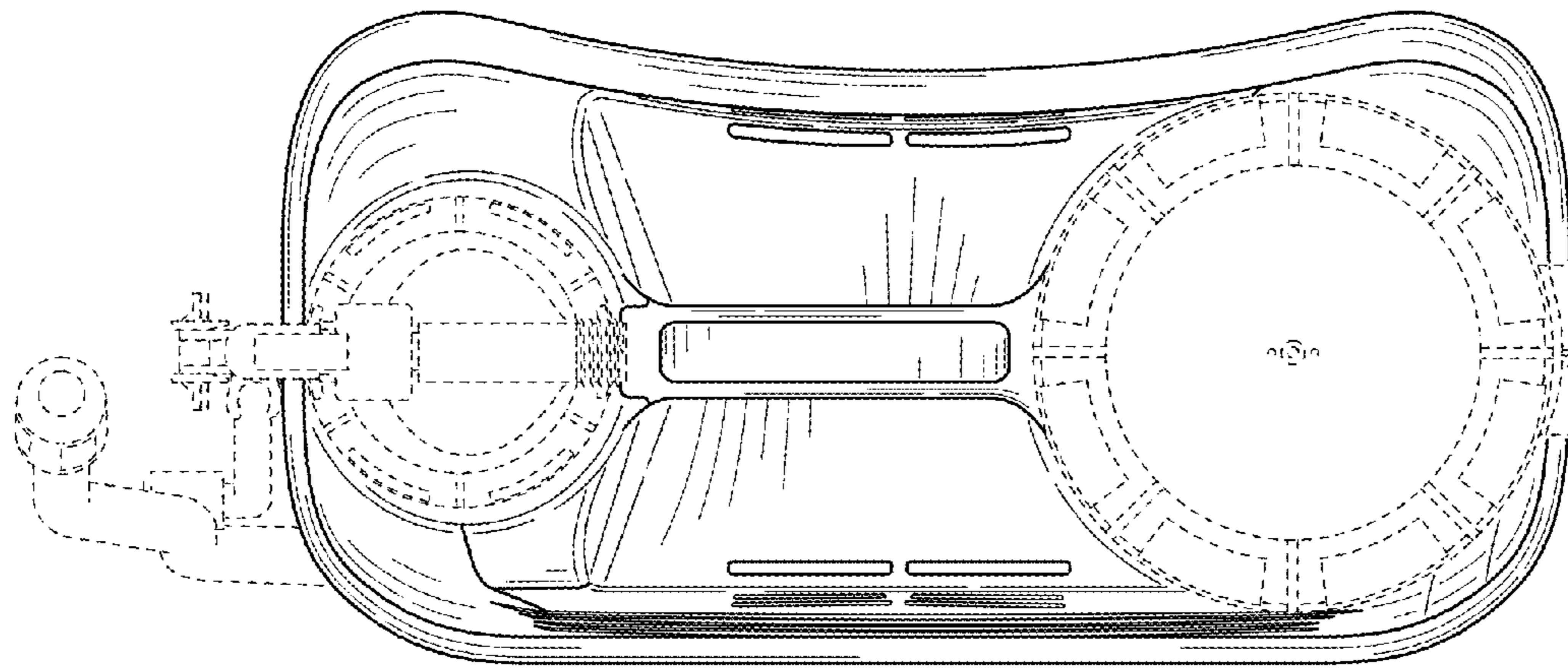


FIG. 6

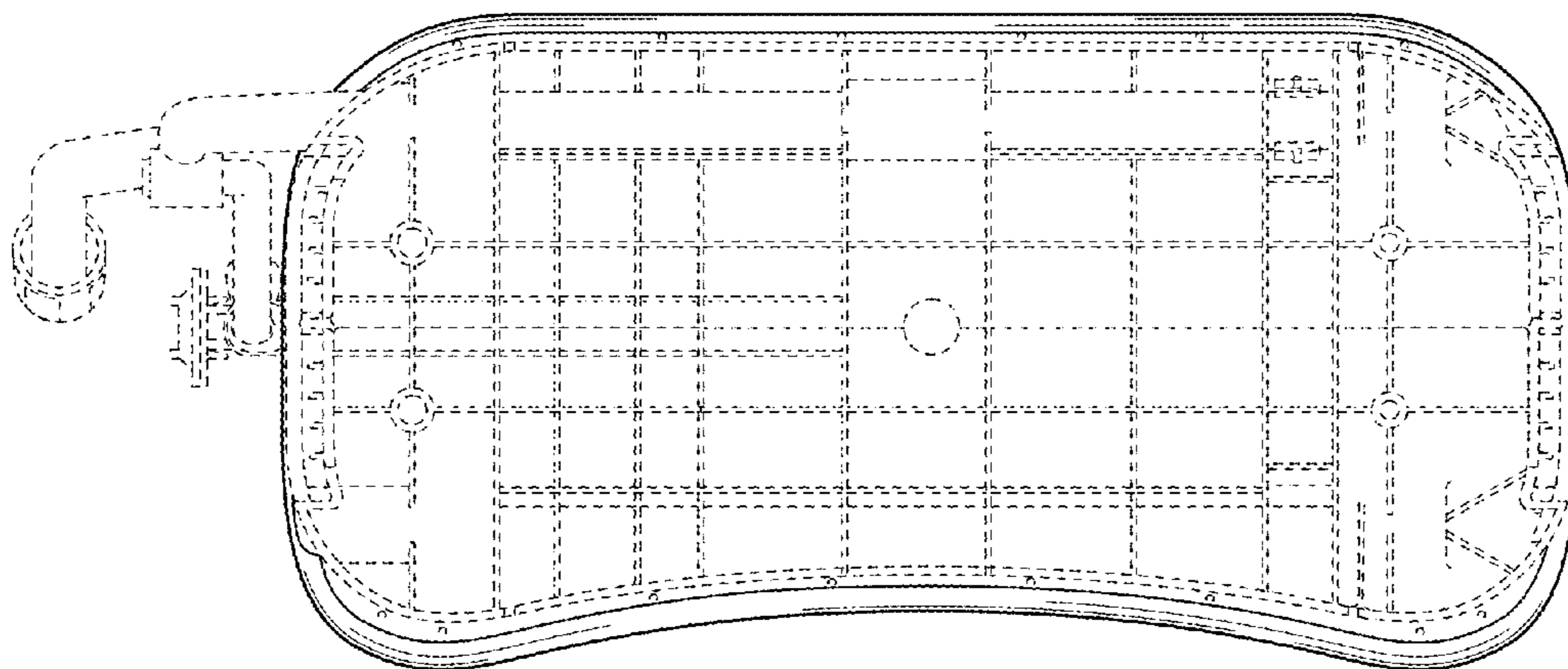


FIG. 7