



US00D698888S

(12) **United States Design Patent**
Hicks

(10) **Patent No.:** **US D698,888 S**

(45) **Date of Patent:** **** Feb. 4, 2014**

(54) **EXTENDED SHOOTING REST**
(75) **Inventor:** **Kim Melvin Hicks**, Fredericksburg, TX
(US)

(73) **Assignee:** **Real Hicks Properties, LLC.**,
Fredericksburg, TX (US)

(**) **Term:** **14 Years**

(21) **Appl. No.:** **29/431,928**

(22) **Filed:** **Sep. 12, 2012**

(51) **LOC (10) Cl.** **22-99**

(52) **U.S. Cl.**
USPC **D22/199**

(58) **Field of Classification Search**
USPC D22/108-110, 114, 199; 42/94; 211/64;
73/167; D6/368, 552; 224/149-150,
224/192-193, 198, 238, 243, 911-913;
89/37.04, 37.22, 40.01, 40.03,
89/40.06-40.08

See application file for complete search history.

(56) **References Cited**

U.S. PATENT DOCUMENTS

3,361,265	A *	1/1968	Wernimont	211/64
3,445,082	A	5/1969	Proctor et al.		
4,007,554	A	2/1977	Helmstadter		
4,026,057	A	5/1977	Cady		
4,409,751	A	10/1983	Goda et al.		
5,070,636	A	12/1991	Mueller		
5,081,783	A	1/1992	Jarvis		
5,622,341	A	4/1997	Stana		
6,446,848	B1	9/2002	Swisher		
6,484,913	B1	11/2002	Hancock		
D476,290	S	6/2003	Gates et al.		
6,574,899	B1	6/2003	Mostello		
6,588,637	B2 *	7/2003	Gates et al.	224/546
6,637,707	B1 *	10/2003	Gates et al.	248/224.7
6,695,183	B2 *	2/2004	Hancock et al.	224/401
6,877,266	B1	4/2005	Brownlee		
D519,183	S	4/2006	Minneman		

D540,904	S	4/2007	Werner		
7,281,347	B2	10/2007	Carpenter		
7,337,934	B2	3/2008	Alling et al.		
7,356,960	B1	4/2008	Knitt		
7,584,690	B2	9/2009	Cauley		
7,587,854	B2	9/2009	Werner		
D617,532	S	6/2010	Zeller et al.		
D626,620	S	11/2010	Hicks		
D627,033	S	11/2010	Hicks		
8,444,034	B2 *	5/2013	Bennett	224/405
2003/0173388	A1	9/2003	Hancock et al.		
2004/0113041	A1	6/2004	Hancock et al.		
2005/0115137	A1	6/2005	Minneman		

(Continued)

OTHER PUBLICATIONS

Disclosure Statement of Kim Melvin Hicks, signed Apr. 22, 2010.

(Continued)

Primary Examiner — Michael A Pratt
(74) *Attorney, Agent, or Firm* — Wong, Cabello, Lutsch,
Rutherford & Bruculeri, LLP

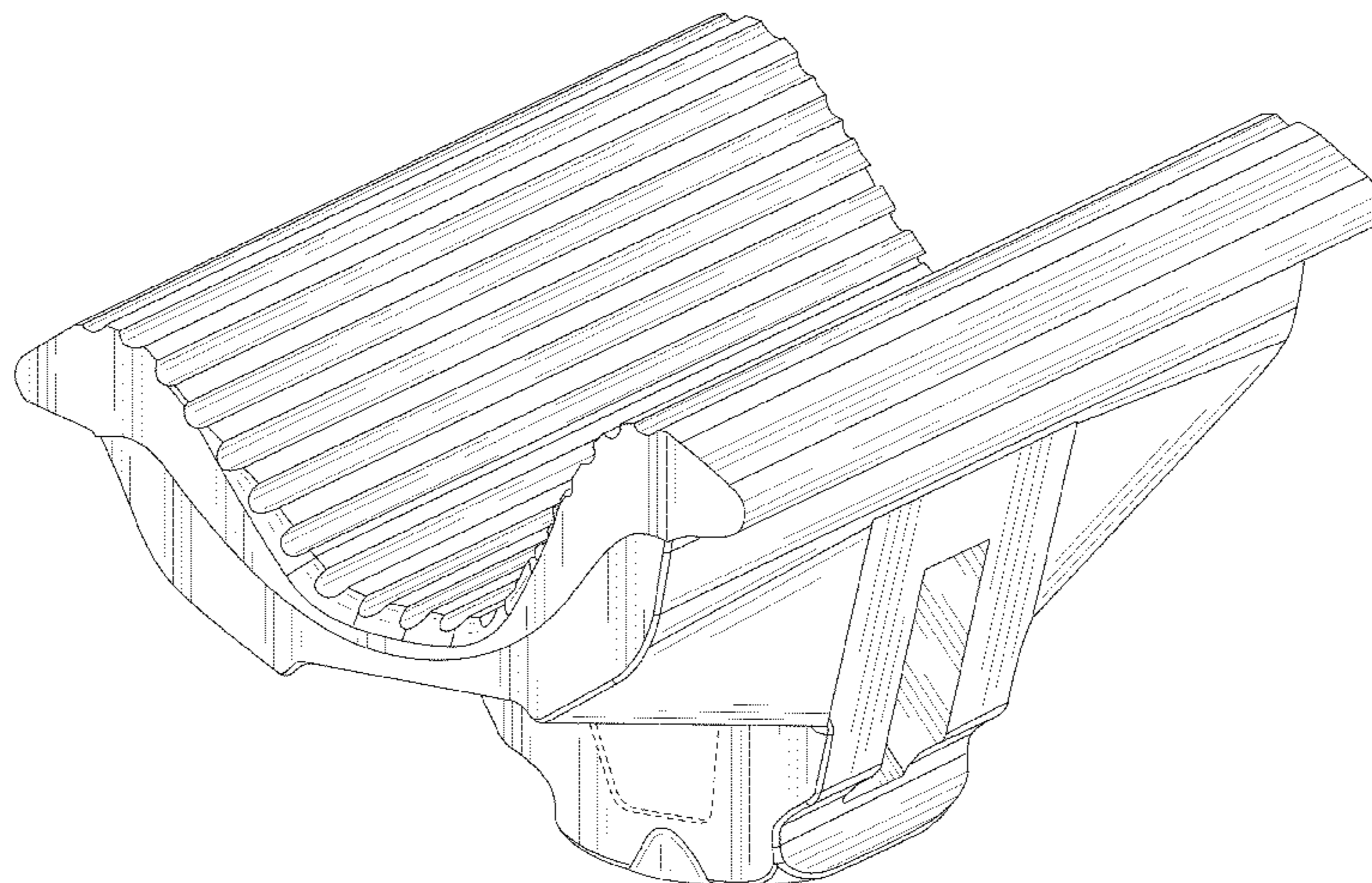
(57) **CLAIM**

The ornamental design for a extended shooting rest, as shown and described.

DESCRIPTION

FIG. 1 is a top perspective view of a extended shooting rest showing my new design.
FIG. 2 is a bottom perspective view thereof.
FIG. 3 is a front view thereof, the back view being a mirror image thereof.
FIG. 4 is a right side view thereof, the left side view being a mirror image thereof.
FIG. 5 is a top view thereof; and,
FIG. 6 is a bottom view thereof.
The broken lines immediately adjacent to the shaded areas in FIGS. 1-3 and 6 represent unclaimed boundaries of the design.

1 Claim, 6 Drawing Sheets



(56)

References Cited

U.S. PATENT DOCUMENTS

2007/0068379 A1 3/2007 Sween et al.
2009/0205238 A1 8/2009 Willis, Jr.
2009/0249675 A1 10/2009 Cauley
2012/0174460 A1 7/2012 Hicks

OTHER PUBLICATIONS

BogGear Advertising Materials submitted in Trademark Application Ser. No. 77738468, Attachments #1-20, generated Jun. 30, 2009.

Other Advertising Materials submitted in Trademark Application Ser. No. 77738468, Attachments #21-33, generated Jun. 30, 2009.

“Bog-Pod Advertisement,” Blackpowder Guns & Hunting Magazine, Fall 2007.

“Bog-Pod Advertisement,” America’s Freedom Magazine, Jul. 2007.

Bog-Pod Advertisement, Gun Hunter Magazine, Aug. 2007.

“Western . . .,” Gun World Magazine, Oct. 2007.

“Bog-Pod Tri-Pod,” Guns Magazine, Nov. 2007.

“Bog-Pod,” Guns Magazine, Aug. 2007.

“New Load for an Old Favorite,” Guns & Ammo Magazine, Sep. 2007.

“The Right Stuff,” Heartland USA Magazine, Sep./Oct. 2007.

“Bog-Pod featured,” North American Hunter Magazine, Nov. 2007.

“Bog-Pod Advertisement,” Outdoor Life Magazine, Apr. 2007.

“Bog-Pod-3 Tripod,” Rifle Magazine, Jul. 2007.

“Warm Layers for Cool Safaris,” Sports Afield Magazine, Nov. 2007.

“Bog Gear Bog-Pods,” Sports Afield Magazine, Jan. 2008.

“Bog Gear,” Turkey Call Magazine, Sep./Oct. 2007.

“Pro-Hunter Series Accessories,” Ultrec Engineered Produces, LLC., obtained from www.ultrec.com, generated Jan. 28, 2010.

“Pro-Hunter Sticks—Tripod,” Ultrec Engineered Produces, LLC., obtained from www.ultrec.com, generated Jan. 28, 2010.

“Pro-Hunter Sticks—Monopod,” Ultrec Engineered Produces, LLC., obtained from www.ultrec.com, generated Jan. 28, 2010.

“Pro-Hunter Sticks—Bipod,” Ultrec Engineered Produces, LLC., obtained from www.ultrec.com, generated Jan. 28, 2010.

* cited by examiner

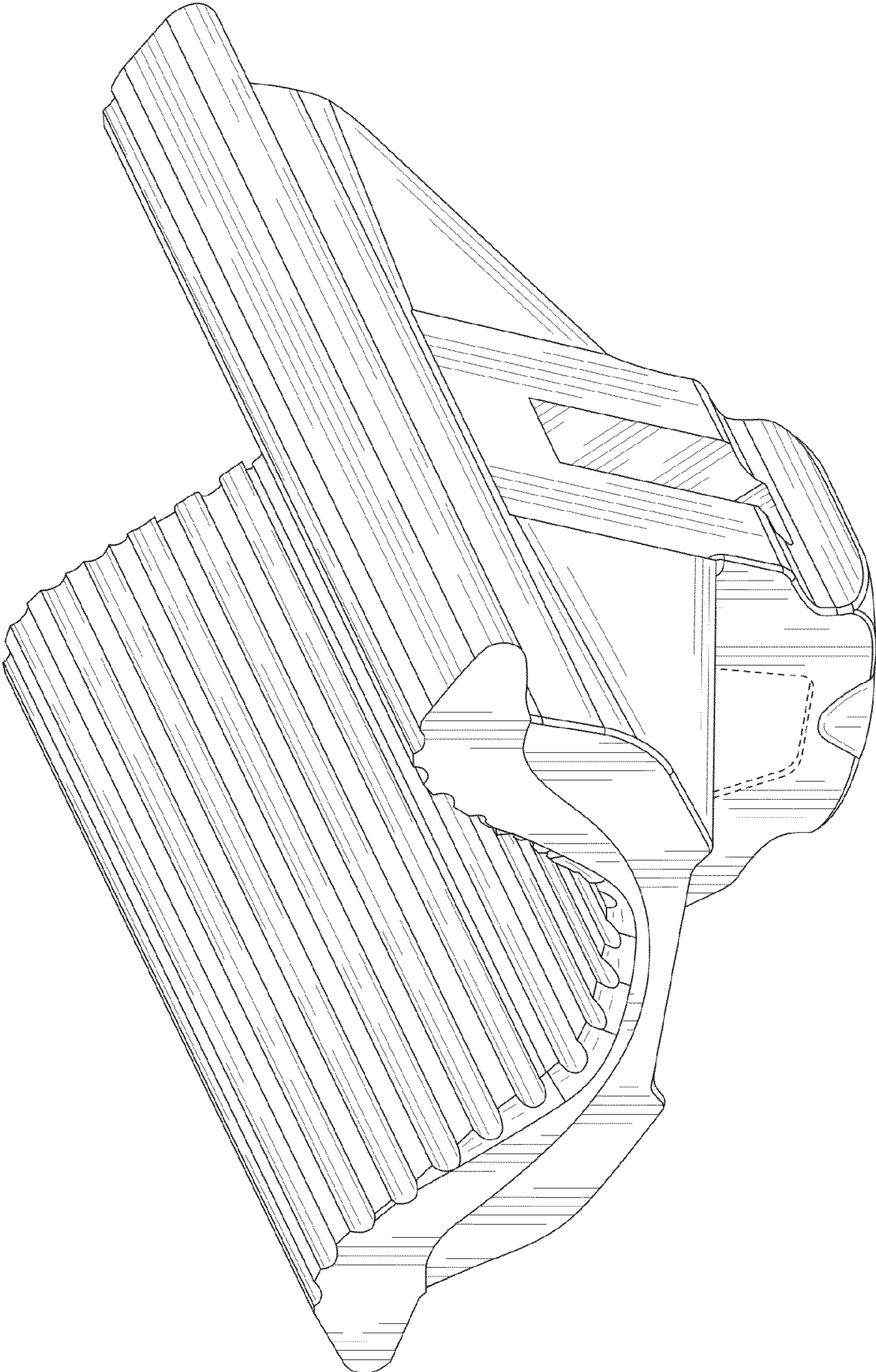


FIG. 1

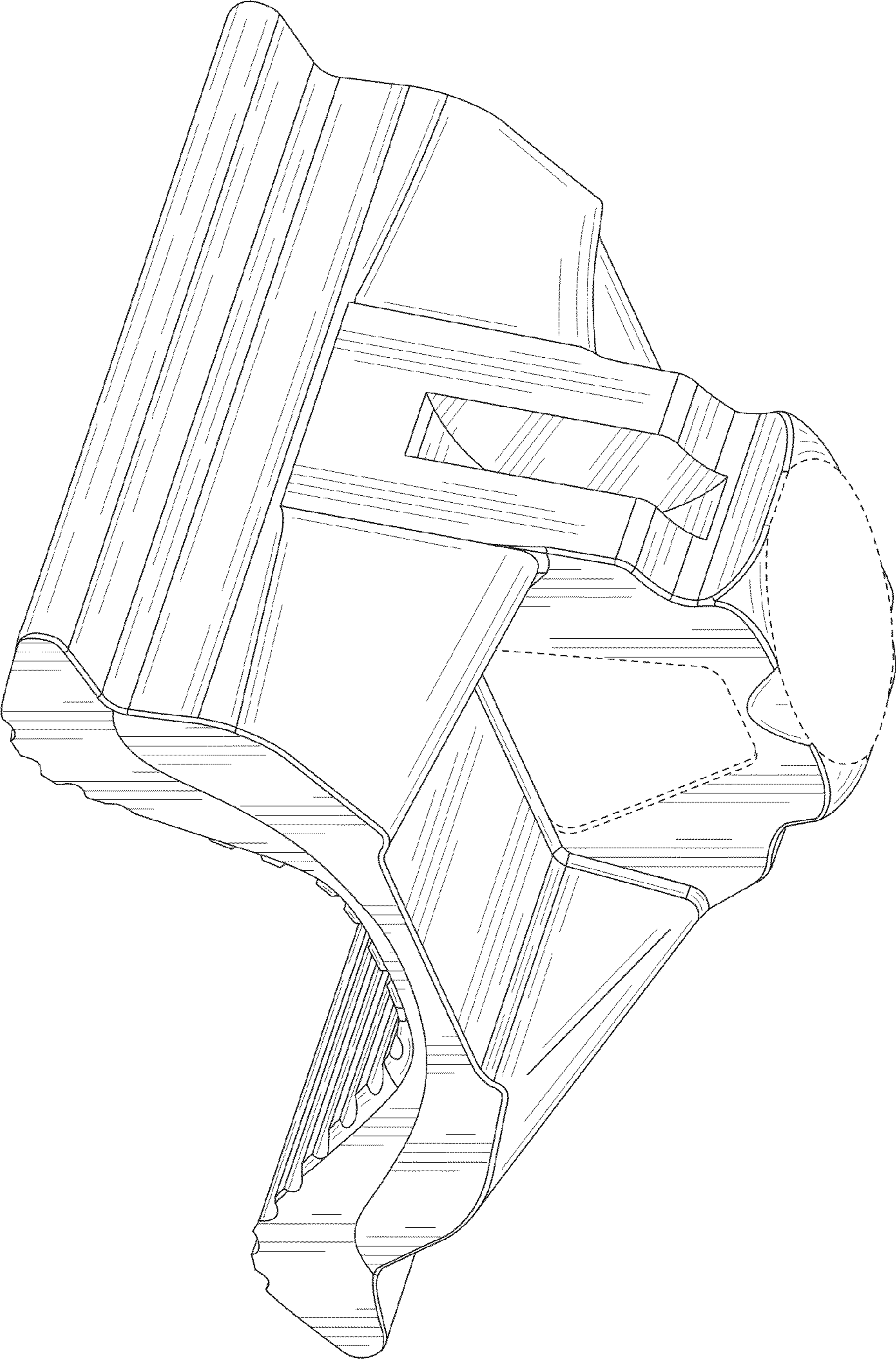


FIG. 2

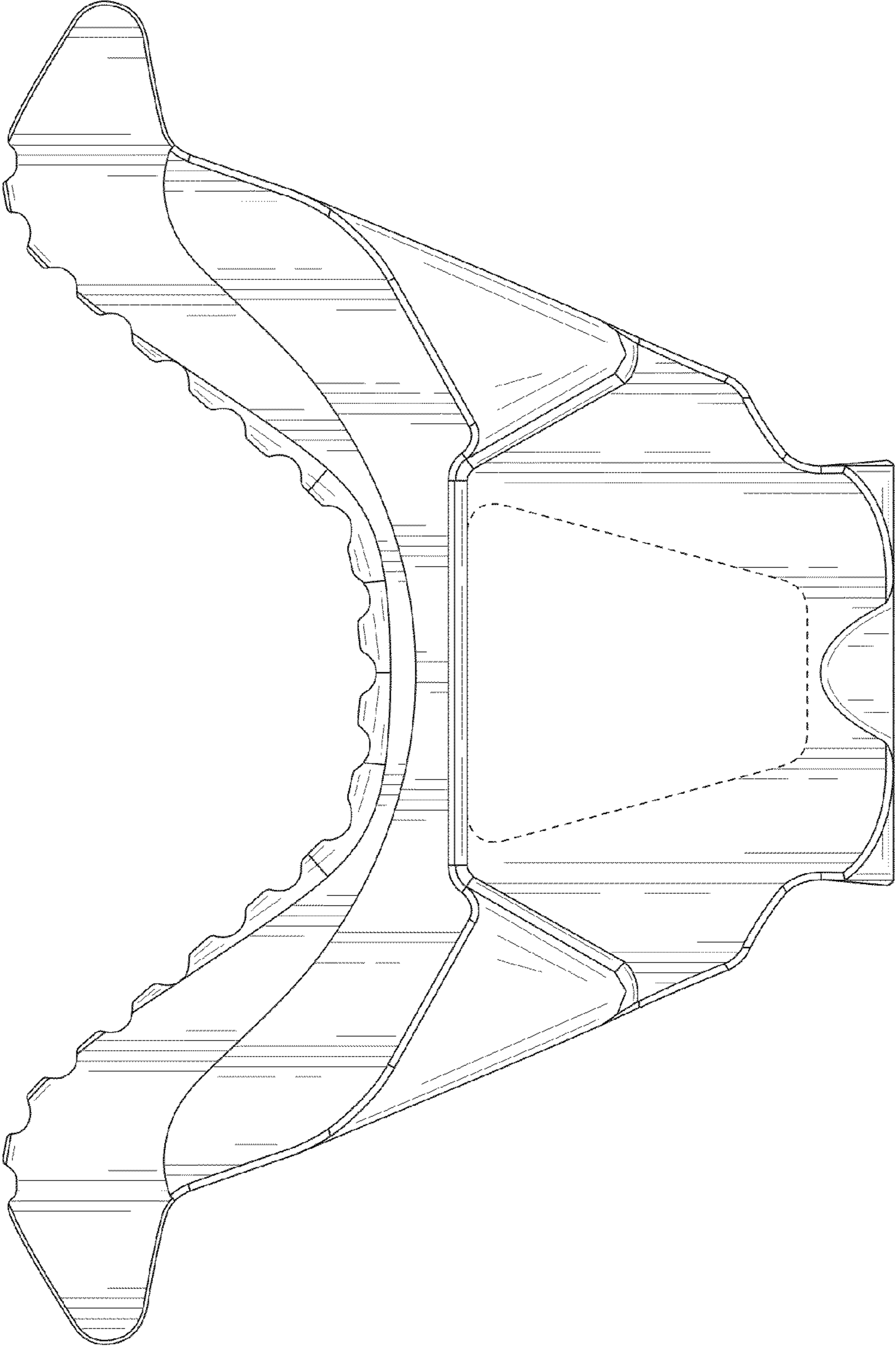


FIG. 3

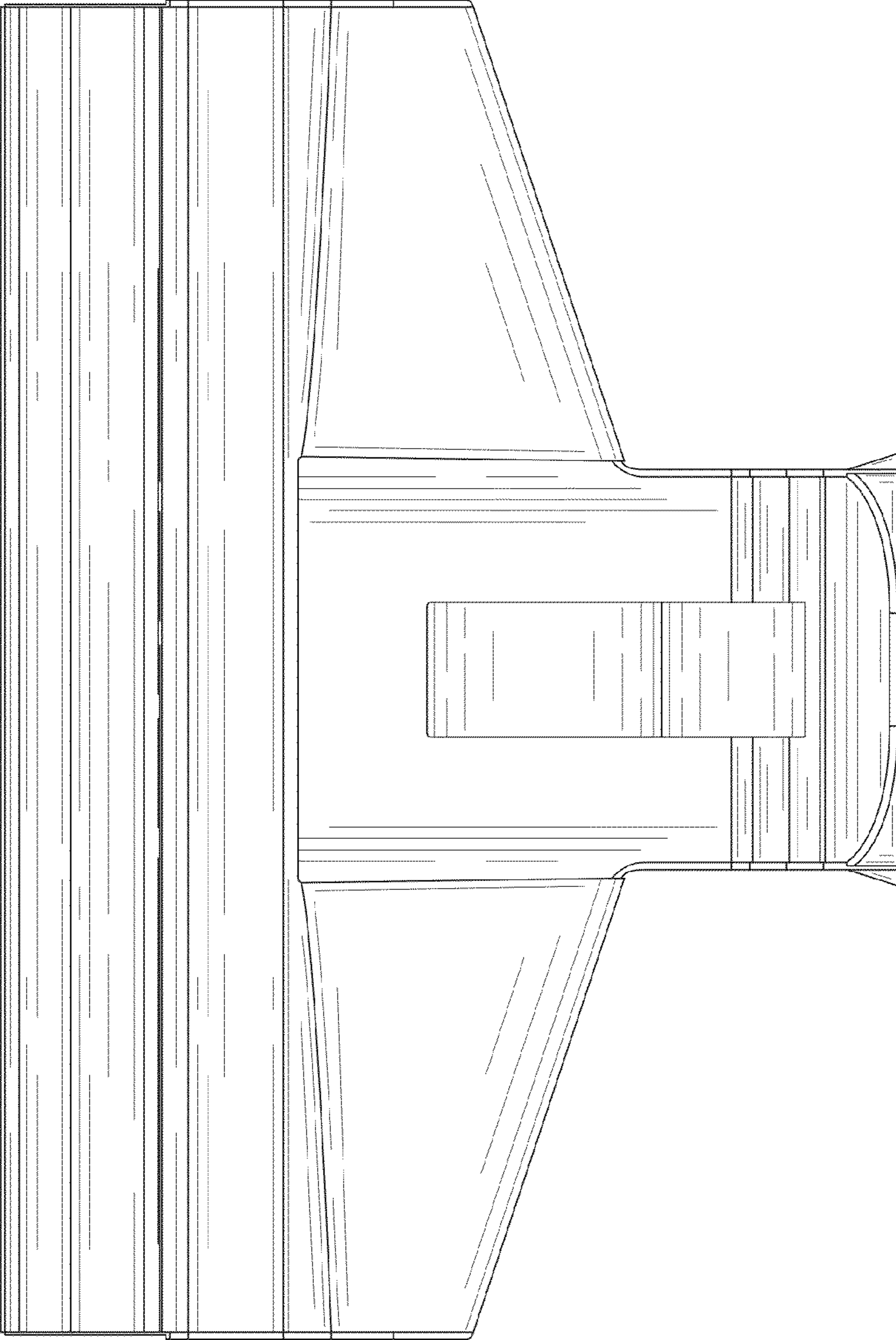


FIG. 4

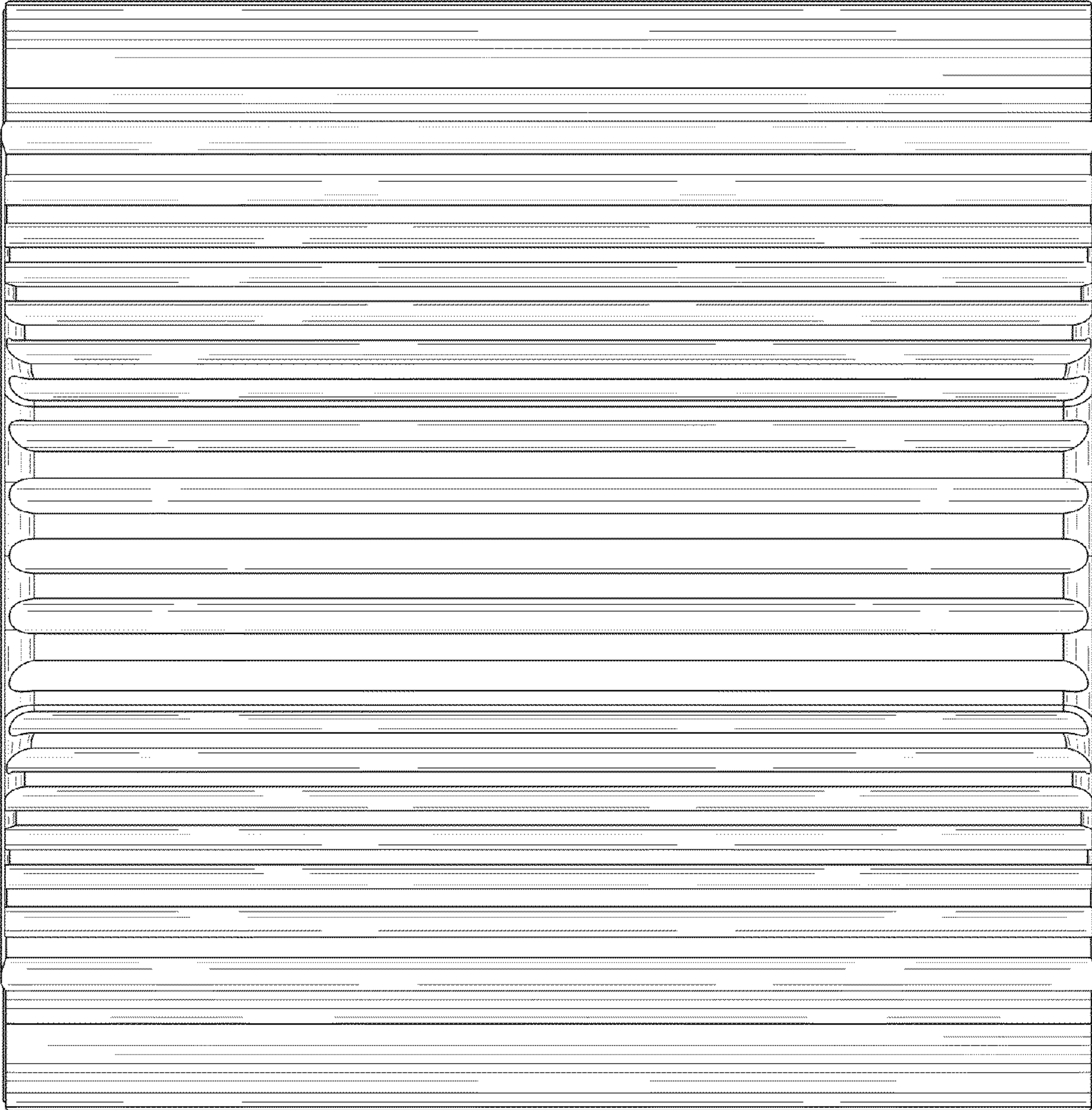


FIG. 5

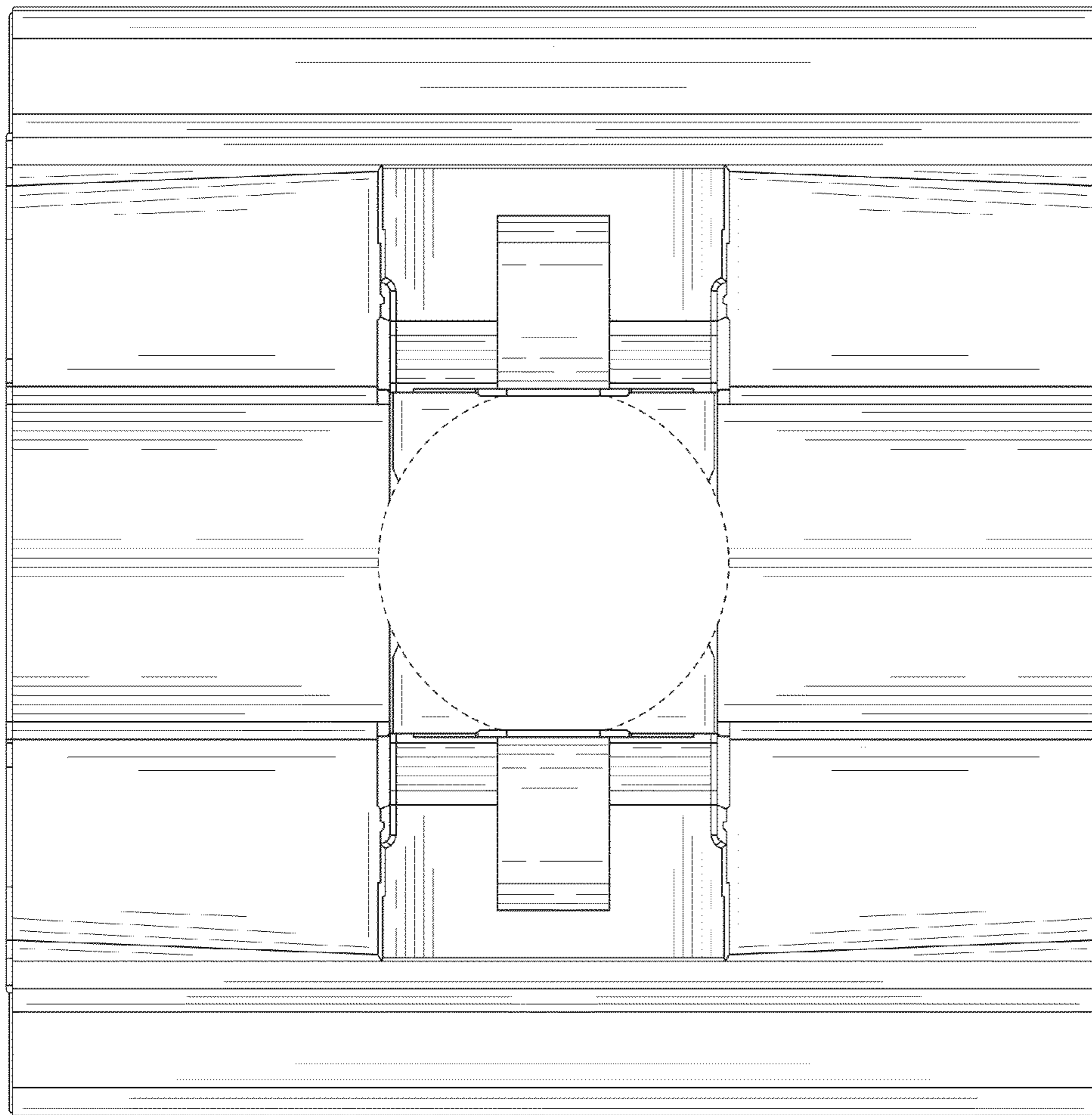


FIG. 6