



US00D698886S

(12) **United States Design Patent**
Nishibori

(10) **Patent No.:** **US D698,886 S**

(45) **Date of Patent:** **** Feb. 4, 2014**

(54) **INSECT CATCHING DEVICE WITH LIGHT SOURCE**

(75) Inventor: **Michio Nishibori**, Shiga (JP)

(73) Assignee: **Shimado Co., Ltd.**, Shiga (JP)

(**) Term: **14 Years**

(21) Appl. No.: **29/371,924**

(22) Filed: **Jan. 27, 2012**

(30) **Foreign Application Priority Data**

Jul. 28, 2011 (JP) D2011-017334

(51) **LOC (10) CL.** **22-06**

(52) **U.S. CL.**
USPC **D22/122**

(58) **Field of Classification Search**
USPC D22/119-124; 43/112-113, 124, 131,
43/132.1, 139; D26/42-43, 46-47, 51,
D26/56-57, 67-68; 362/158, 183, 171-174

See application file for complete search history.

(56) **References Cited**

U.S. PATENT DOCUMENTS

5,044,112 A *	9/1991	Williams	43/113
D324,559 S *	3/1992	Moraes	D22/122
D349,745 S *	8/1994	Vaudry	D22/122
D491,247 S *	6/2004	Chuang et al.	D22/122
D524,902 S *	7/2006	Masters et al.	D22/122
D678,457 S *	3/2013	English et al.	D22/122

* cited by examiner

Primary Examiner — Catheri Oliver-Garcia

(74) *Attorney, Agent, or Firm* — Rader, Fishman & Grauer PLLC

(57) **CLAIM**

The ornamental design for an insect catching device with light source, as shown and described.

DESCRIPTION

FIG. 1 is a front, top, right perspective view of an insect catching device with light source showing my new design; FIG. 2 is a front perspective view thereof; FIG. 3 is a rear perspective view thereof; FIG. 4 is a left side elevational view thereof; and FIG. 5 is a right side elevational view thereof. FIG. 6 is a top plan view thereof; and, FIG. 7 is a bottom plan view thereof. Portions shown as broken lines are for illustrative purposes only and form no part of the claimed design.

1 Claim, 3 Drawing Sheets

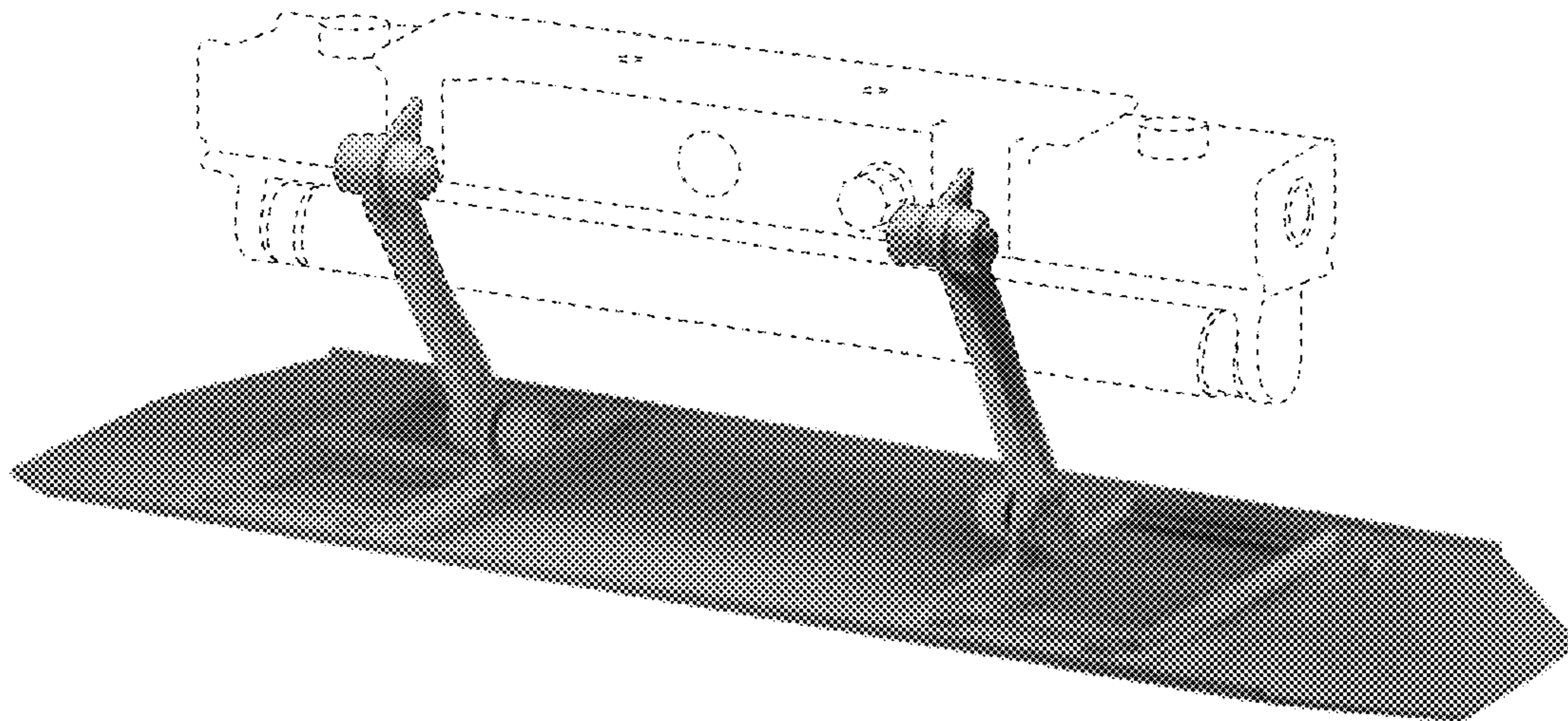


FIG.1

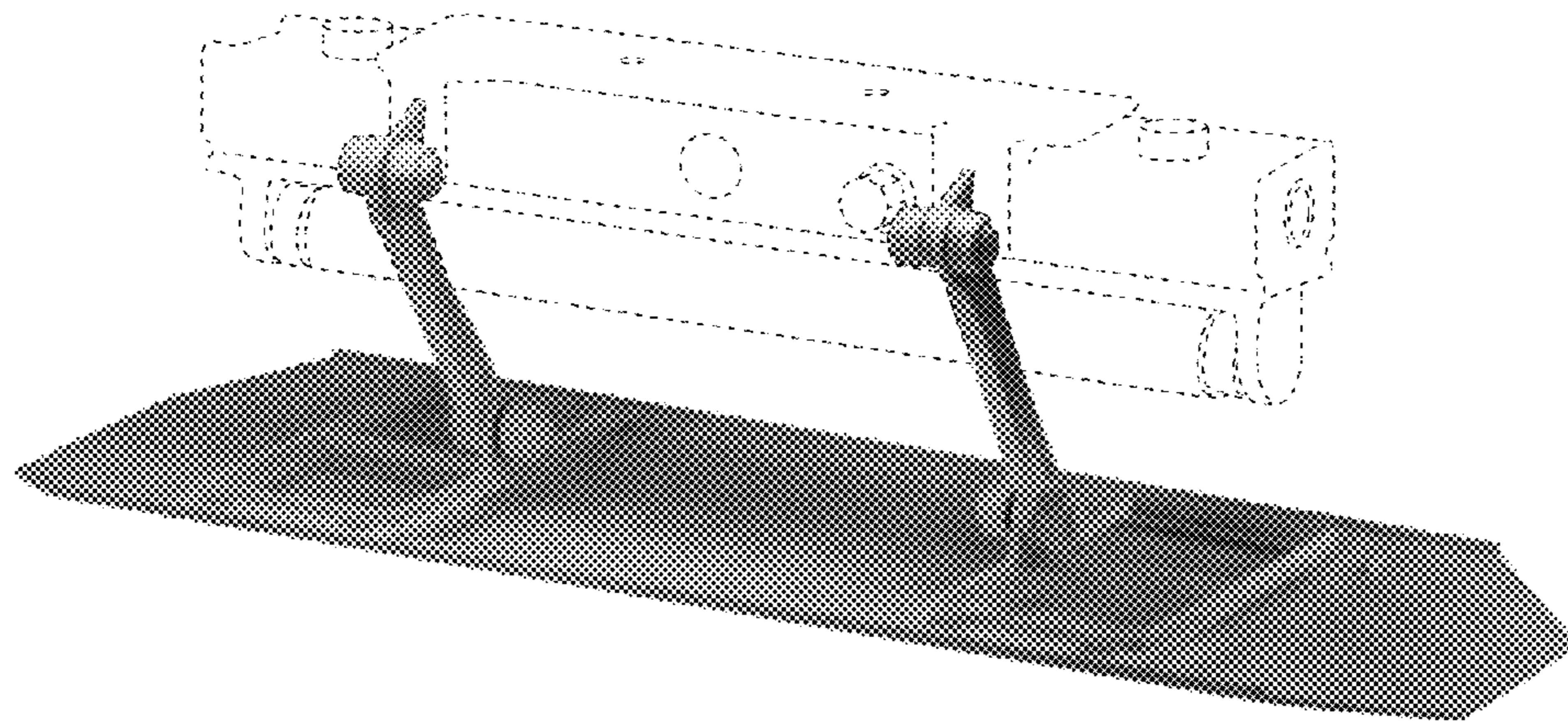


FIG.2

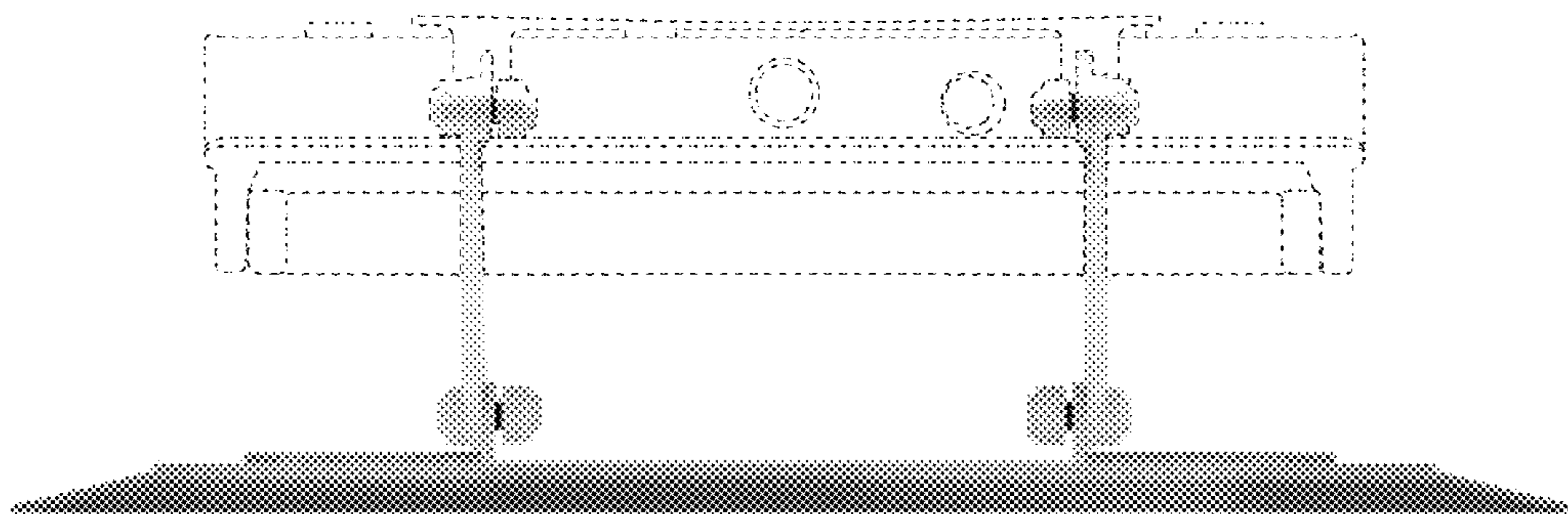


FIG.3

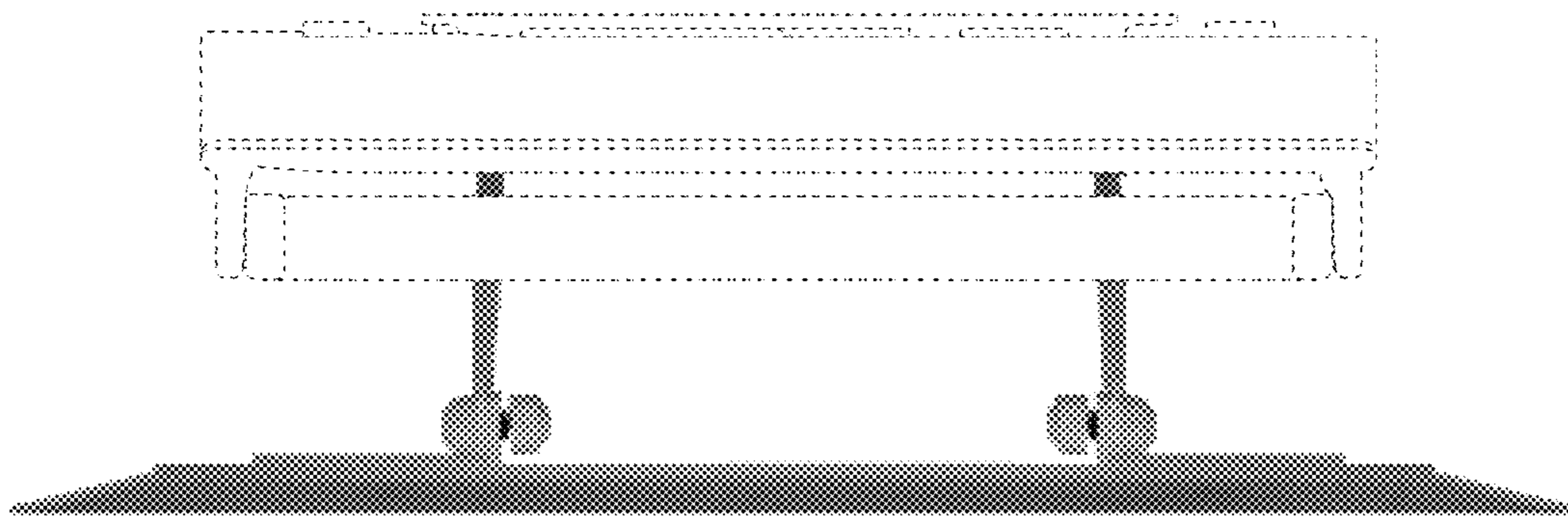


FIG.4

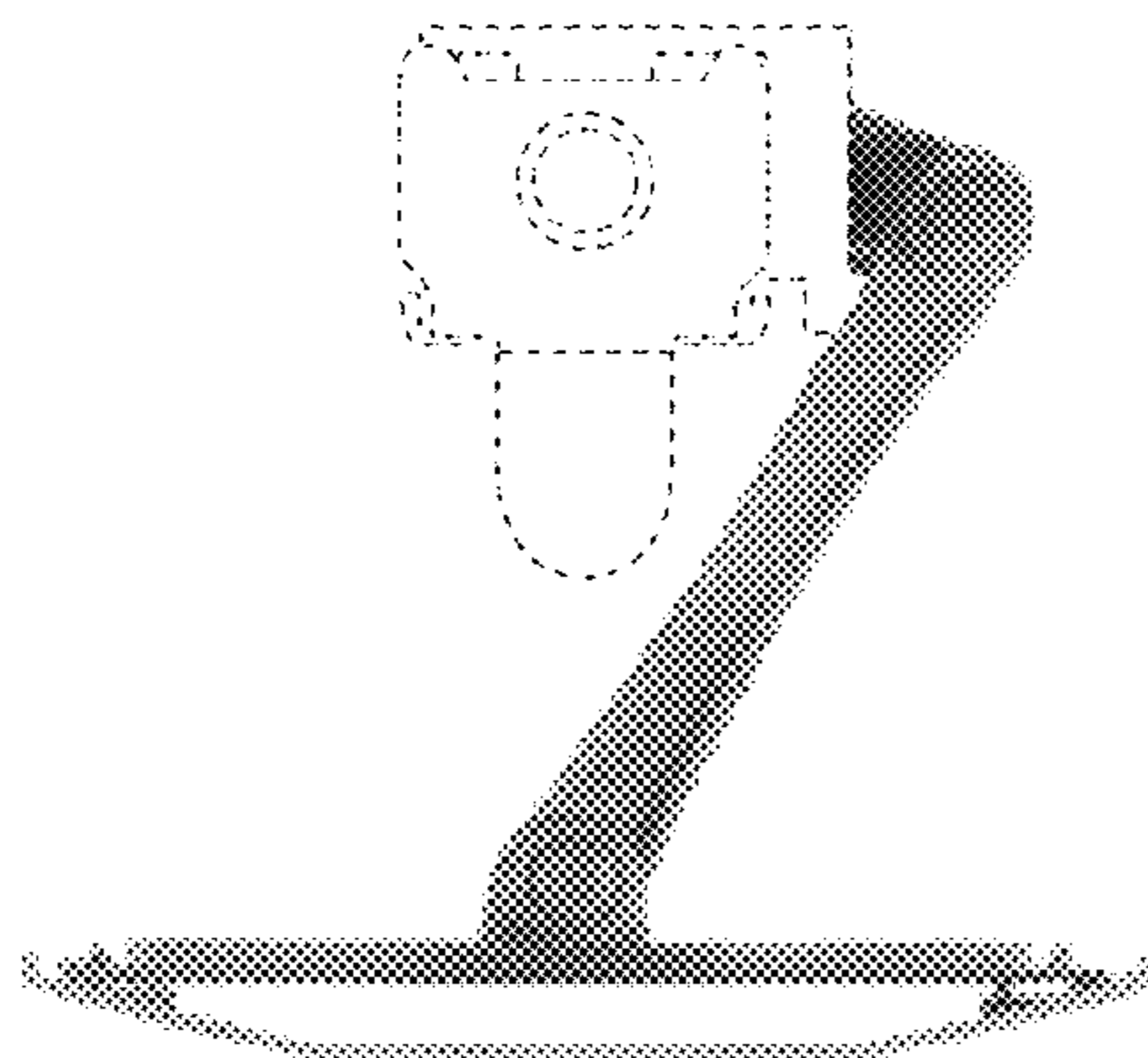


FIG.5

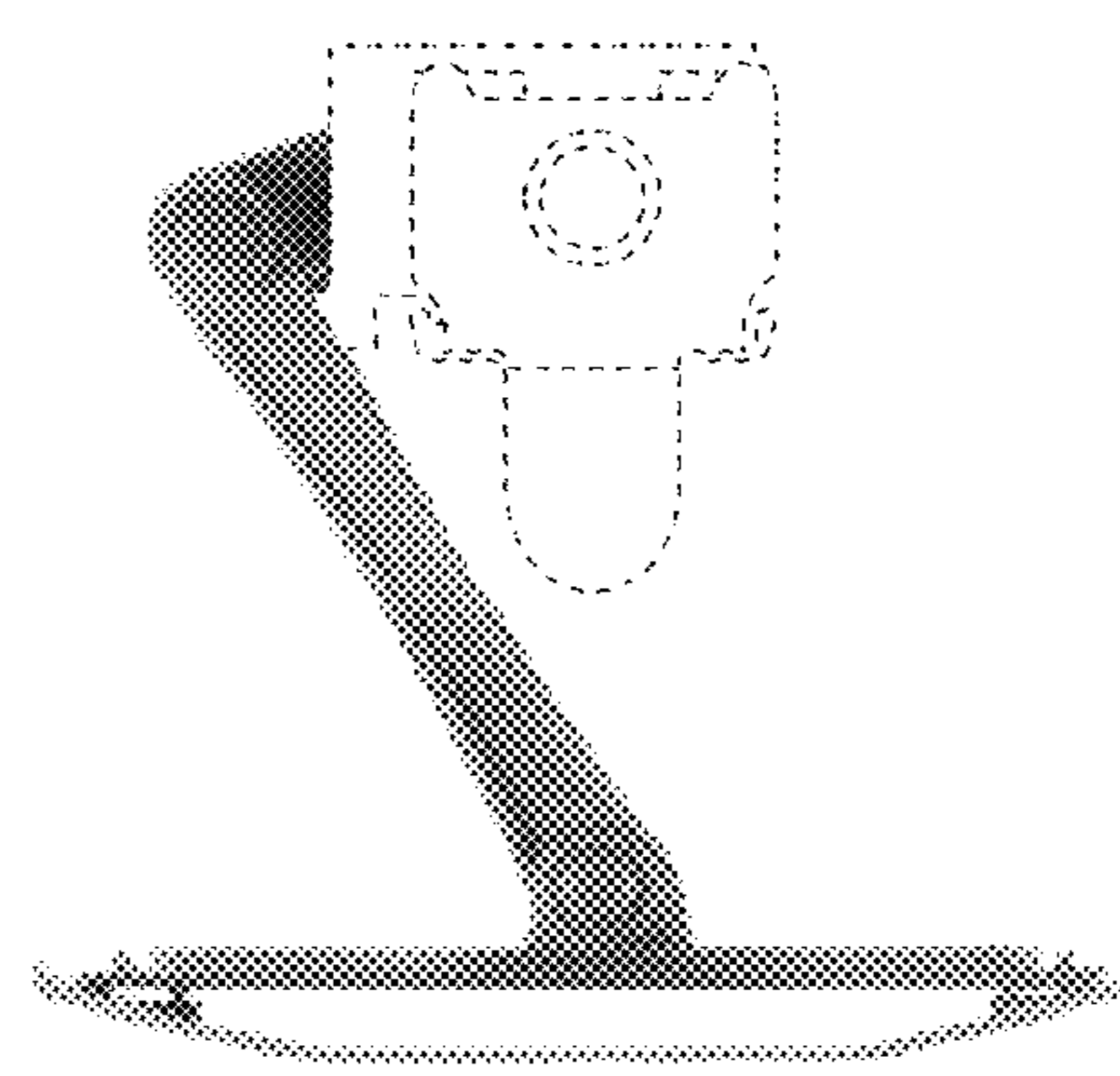


FIG.6

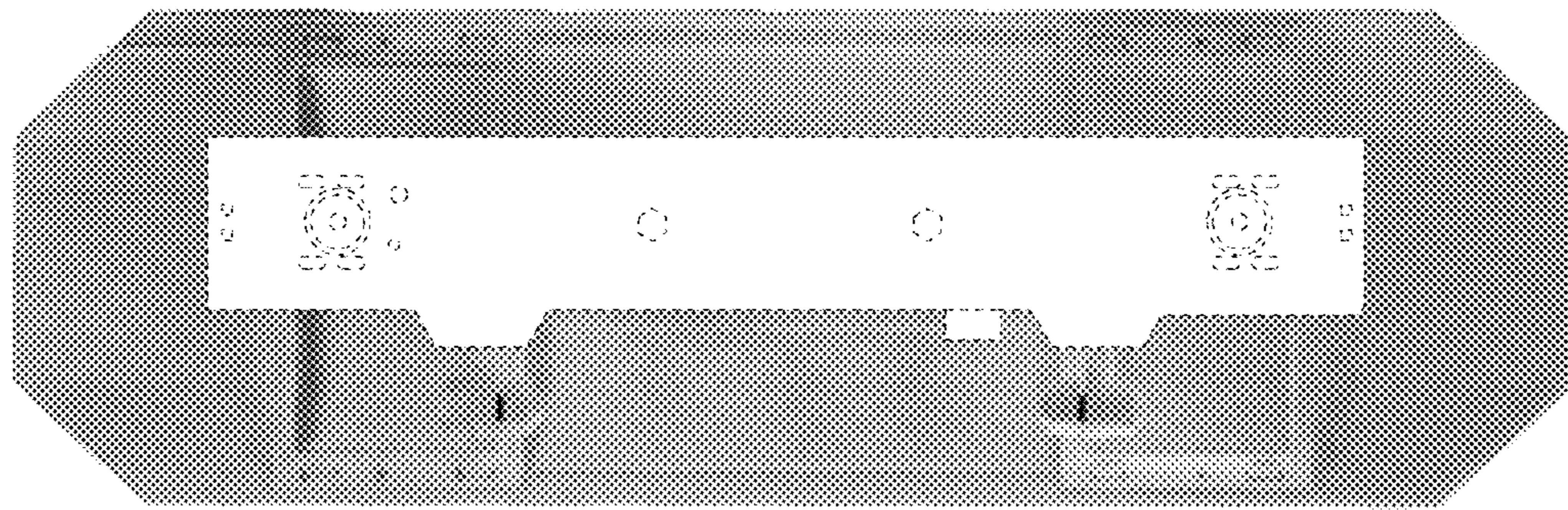
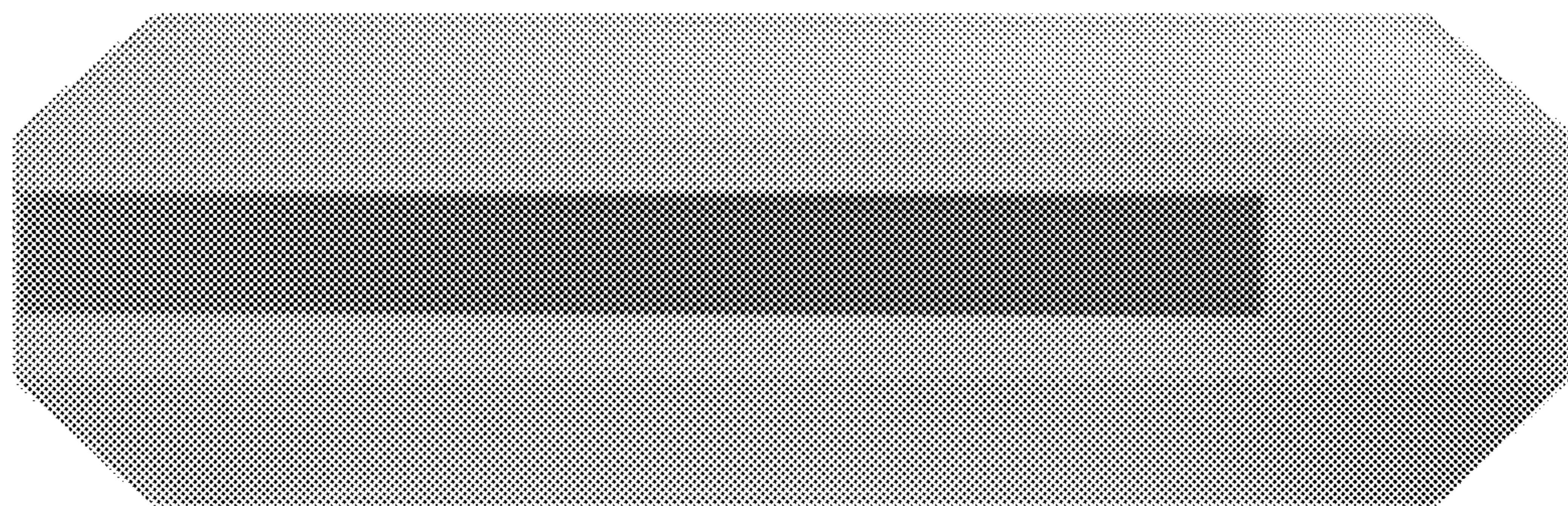


FIG.7



UNITED STATES PATENT AND TRADEMARK OFFICE
CERTIFICATE OF CORRECTION

PATENT NO. : D698,886 S
APPLICATION NO. : 29/371924
DATED : February 4, 2014
INVENTOR(S) : Michio Nishibori

Page 1 of 1

It is certified that error appears in the above-identified patent and that said Letters Patent is hereby corrected as shown below:

On the Title Page, item (73):

“Shimado Co. Ltd.” should read --Shimada Co. Ltd.--.

Signed and Sealed this
Thirteenth Day of May, 2014



Michelle K. Lee
Deputy Director of the United States Patent and Trademark Office