



US00D698881S

(12) **United States Design Patent**
Hamborg et al.

(10) **Patent No.:** **US D698,881 S**

(45) **Date of Patent:** **** Feb. 4, 2014**

(54) **SKATEBOARD**

(71) Applicant: **Hamboards Holdings, LLC**, Ocean View, DE (US)

(72) Inventors: **Peter Mark Hamborg**, Huntington Beach, CA (US); **Peter Gustaf Hamborg**, Huntington Beach, CA (US)

(73) Assignee: **Hamboards Holdings, LLC**, Ocean View, DE (US)

(**) Term: **14 Years**

(21) Appl. No.: **29/450,826**

(22) Filed: **Mar. 24, 2013**

(51) **LOC (10) Cl.** **21-01**

(52) **U.S. Cl.**
USPC **D21/765**

(58) **Field of Classification Search**
USPC D21/760, 765, 771, 423, 779; 280/7.14, 280/11.115, 11.27, 11.28, 14.21, 87.01, 280/87.021, 87.03, 87.041, 87.042, 809; 180/180, 181, 220; 362/103, 459
See application file for complete search history.

(56) **References Cited**

U.S. PATENT DOCUMENTS

D150,401 S * 8/1948 Brickson D21/765
4,152,001 A 5/1979 Christianson

D300,159 S * 3/1989 Papas D21/765
D413,954 S 9/1999 Gerlach
D504,930 S * 5/2005 Joung et al. D21/765
D556,283 S 11/2007 Hamborg et al.
D564,613 S * 3/2008 Hamborg D21/765
D608,851 S * 1/2010 Hillman D21/765
2003/0124923 A1 * 7/2003 Mercer 441/74

OTHER PUBLICATIONS

Pending U.S. Appl. No. 29/440,872, filed Dec. 28, 2012; First Named Inventor: Peter Mark Hamborg.

* cited by examiner

Primary Examiner — Cynthia M Chin

(74) *Attorney, Agent, or Firm* — McCarter & English

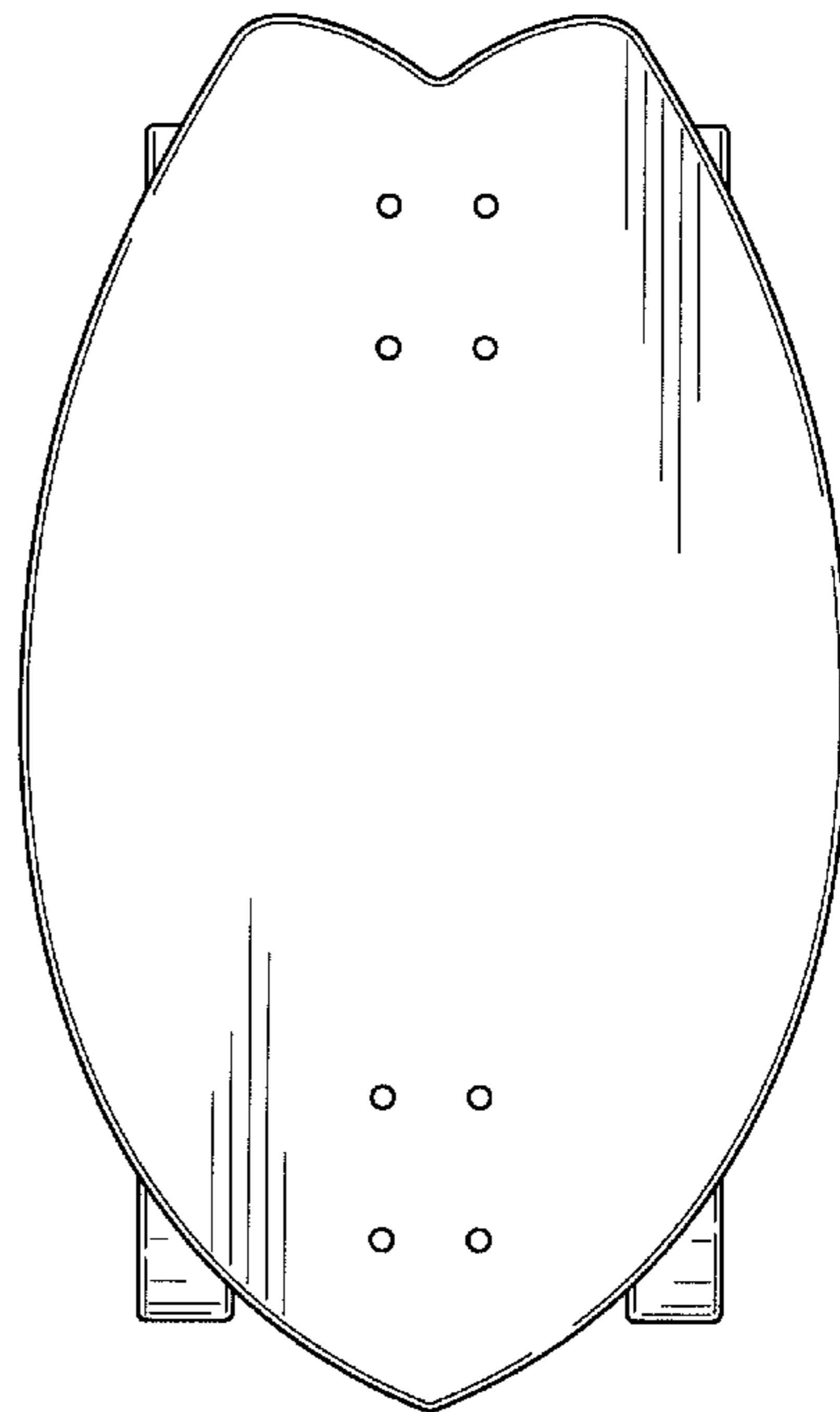
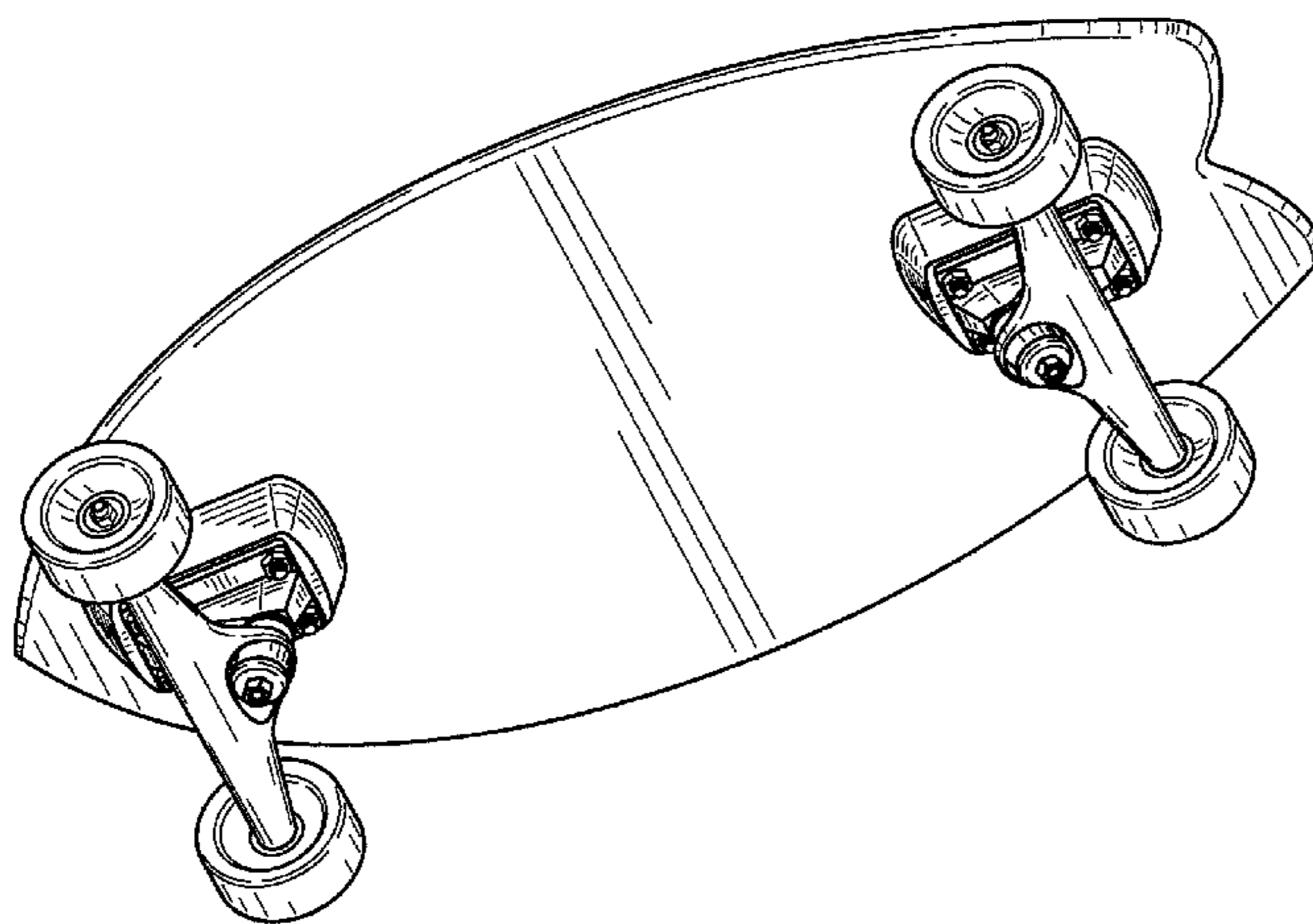
(57) **CLAIM**

The ornamental design for a skateboard, as shown and described.

DESCRIPTION

FIG. 1 is a perspective view of the present invention showing a bottom thereof;
FIG. 2 is a front view thereof;
FIG. 3 is a rear view thereof;
FIG. 4 is a side view thereof, the opposite side being a mirror image thereof;
FIG. 5 is a top view thereof; and,
FIG. 6 is a bottom view thereof.

1 Claim, 3 Drawing Sheets



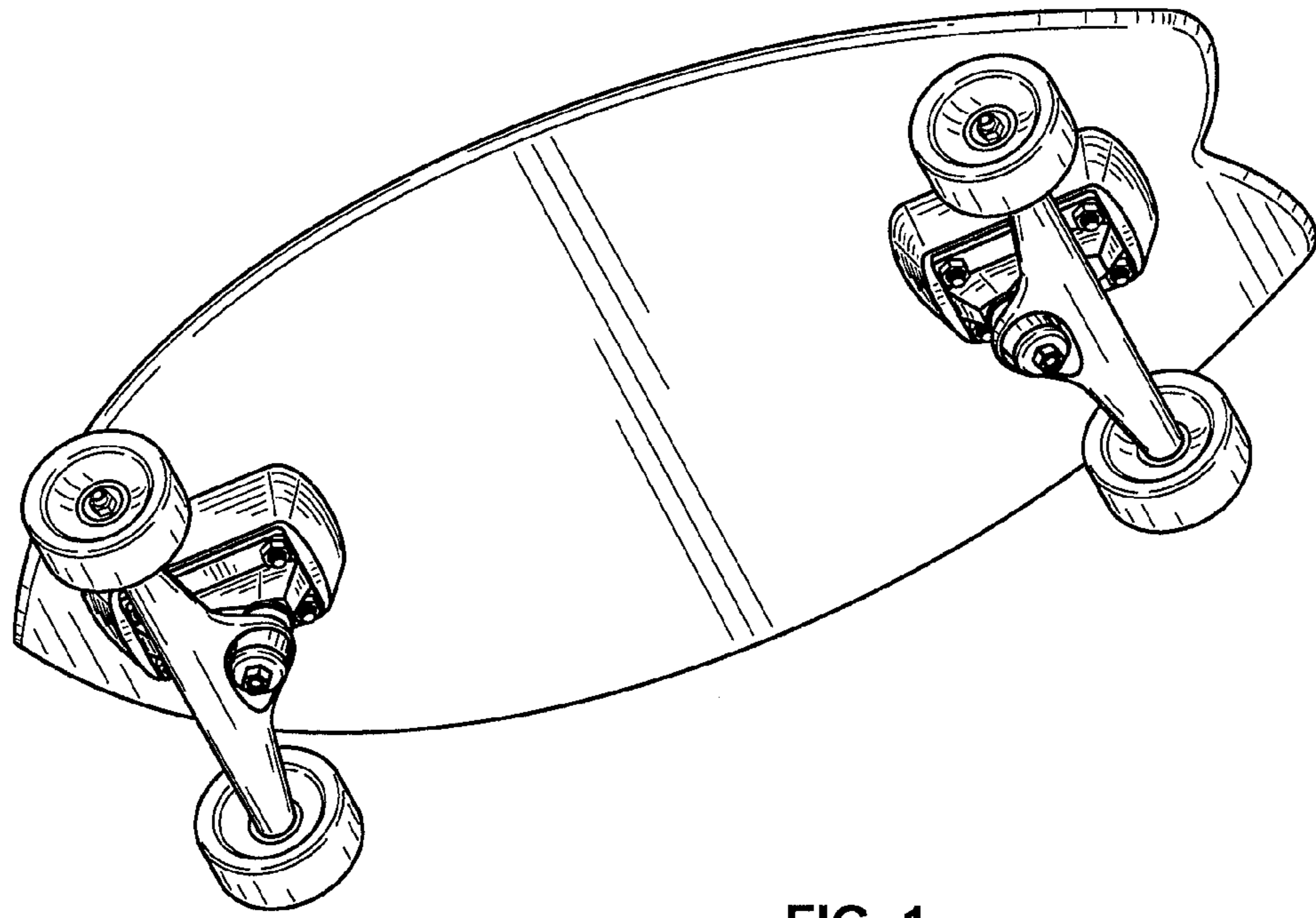


FIG. 1

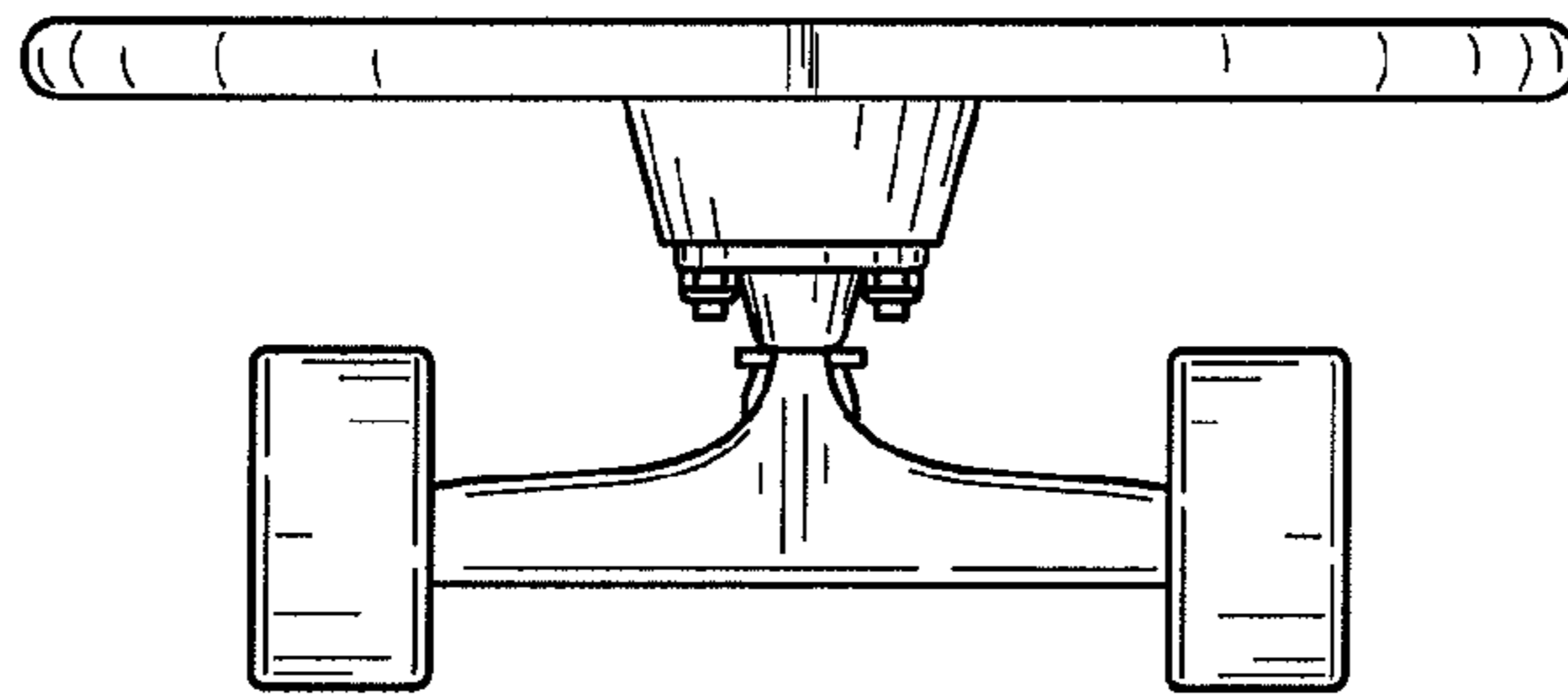


FIG. 2

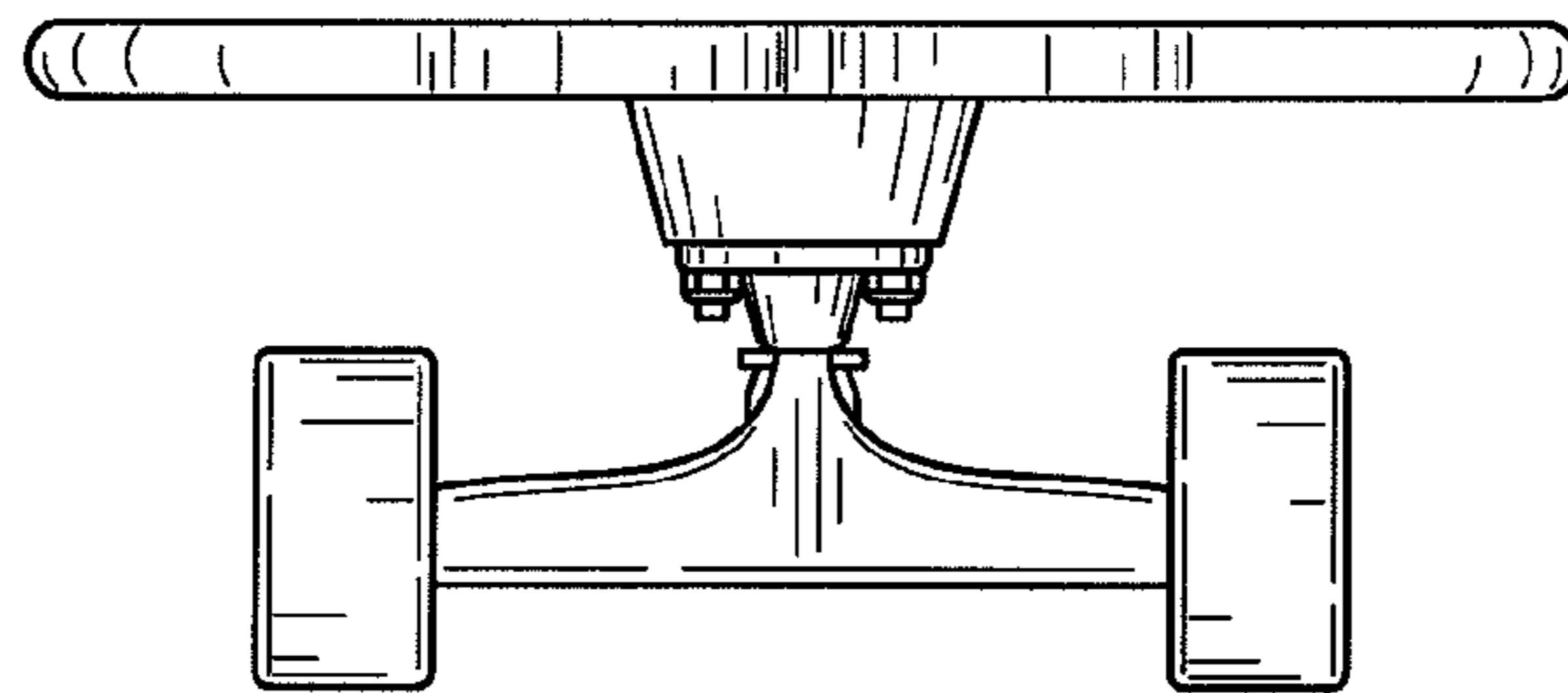


FIG. 3

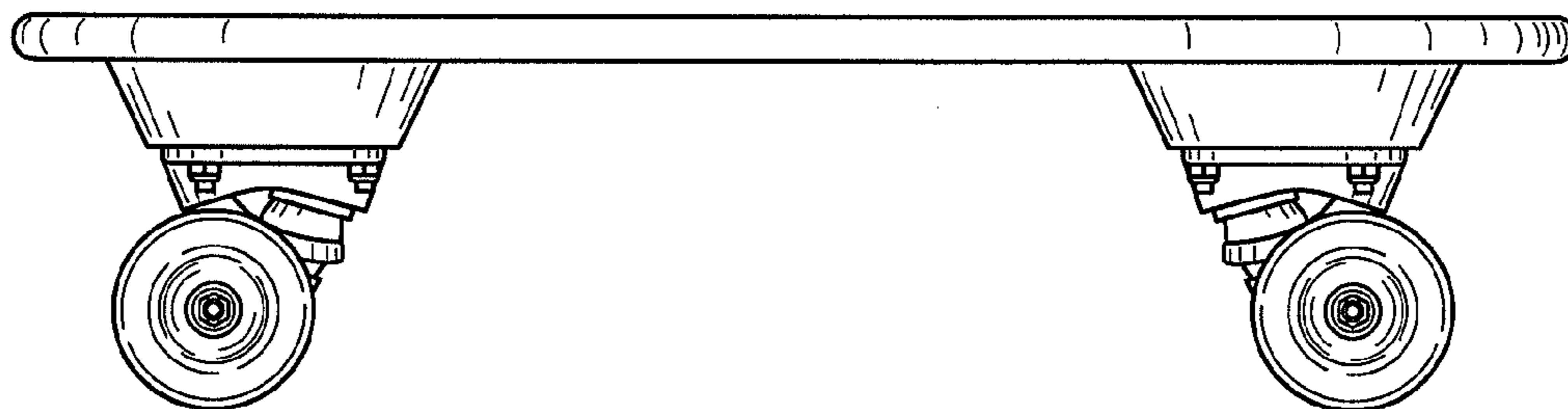


FIG. 4

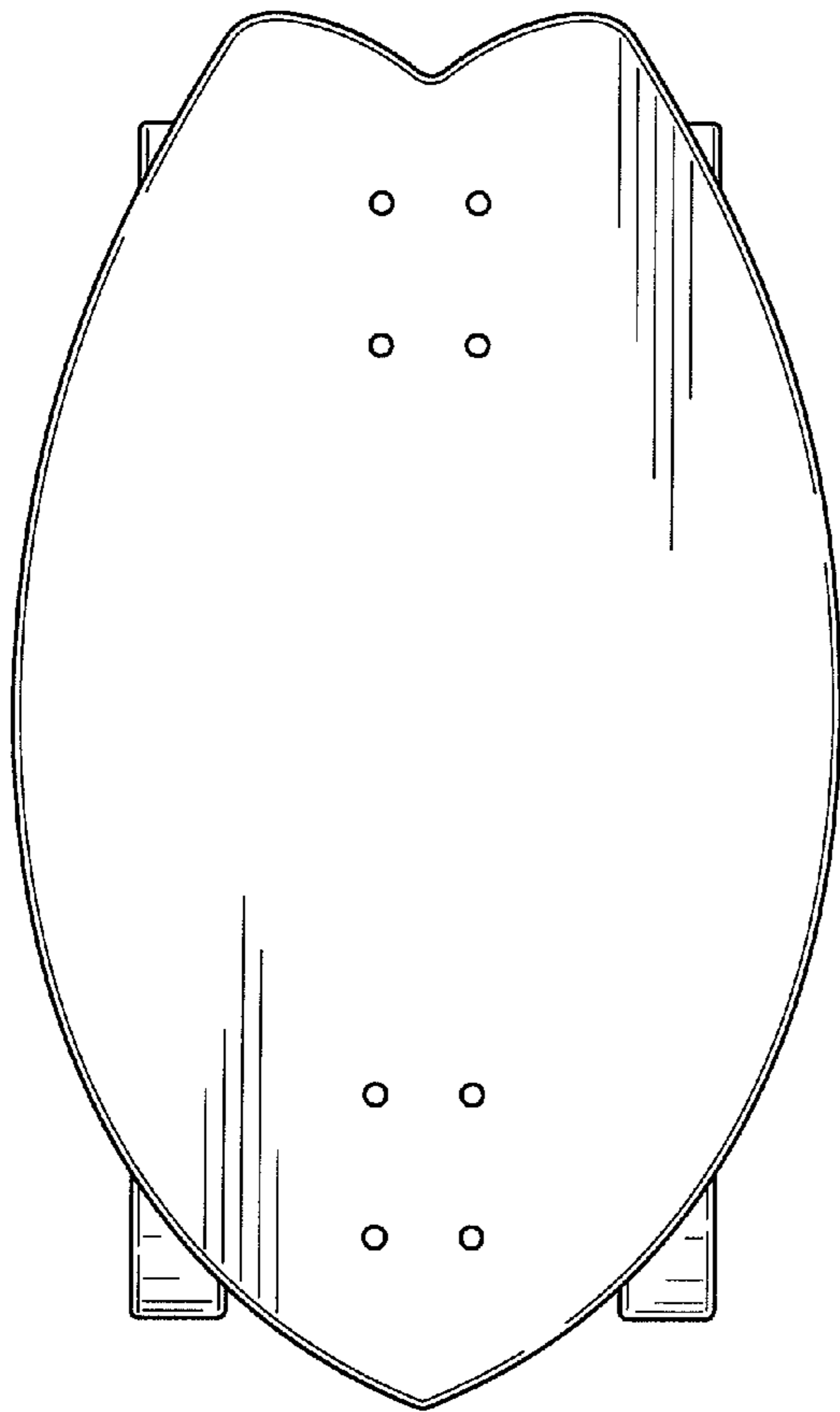


FIG. 5

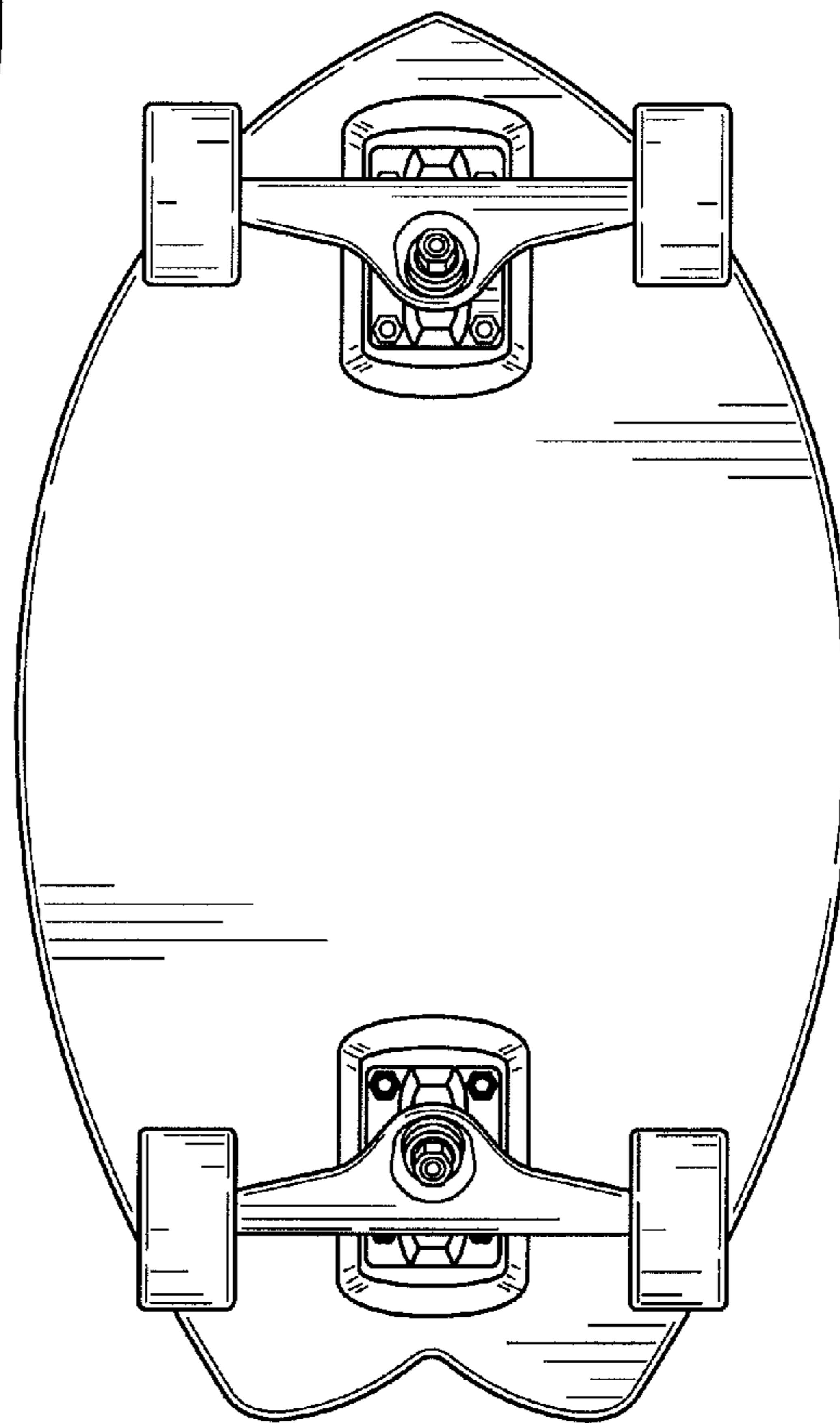


FIG. 6