



US00D698876S

(12) **United States Design Patent**
Ho et al.

(10) **Patent No.:** **US D698,876 S**
(45) **Date of Patent:** **** Feb. 4, 2014**

- (54) **MINI WAVE EXERCISER**
- (71) Applicants: **Wei-Teh Ho**, Taipei (TW); **Willy Ho**, Taipei (TW)
- (72) Inventors: **Wei-Teh Ho**, Taipei (TW); **Willy Ho**, Taipei (TW)
- (**) Term: **14 Years**
- (21) Appl. No.: **29/443,882**
- (22) Filed: **Jan. 23, 2013**
- (51) **LOC (10) Cl.** **21-02**
- (52) **U.S. Cl.**
USPC **D21/688**; D21/689
- (58) **Field of Classification Search**
USPC D21/662, 674, 676, 686, 687, 688, 689, D21/694, 695; 482/51, 71-72, 96, 112, 121, 482/130-132, 140, 142
See application file for complete search history.

7,803,096 B2 *	9/2010	Mehta	482/140
D647,153 S *	10/2011	Mishan et al.	D21/687
D663,366 S *	7/2012	Ho	D21/689
D668,727 S *	10/2012	Ho	D21/688
2012/0238419 A1 *	9/2012	Ho	482/131

* cited by examiner

Primary Examiner — Susan E Krakower

(74) *Attorney, Agent, or Firm* — Blakely Sokoloff Taylor & Zafman LLP

(57) **CLAIM**

The ornamental design for a mini wave exerciser, as shown and described.

DESCRIPTION

FIG. 1 is a perspective view showing our new design for a mini wave exerciser;
 FIG. 2 is a front view thereof;
 FIG. 3 is rear view thereof;
 FIG. 4 is a right side view thereof;
 FIG. 5 is a left side view thereof;
 FIG. 6 is a top view thereof; and
 FIG. 7 is a bottom view thereof.

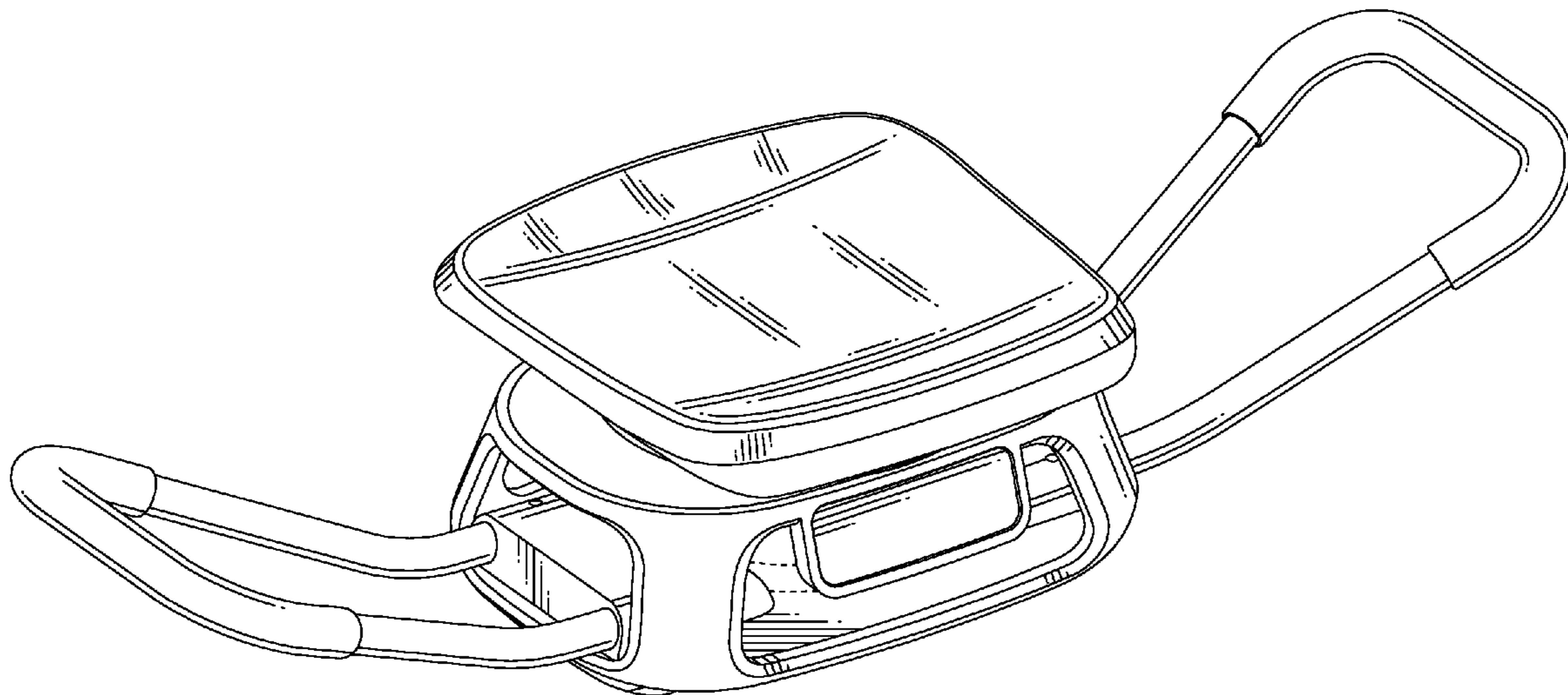
Broken lines illustrate portions of the abdomen exerciser outside the scope of the claimed design.

1 Claim, 7 Drawing Sheets

(56) **References Cited**

U.S. PATENT DOCUMENTS

7,438,675 B2 *	10/2008	Lin	482/140
D582,996 S *	12/2008	Mehta	D21/689
D603,001 S *	10/2009	Wong	D21/688
7,625,323 B1 *	12/2009	Lin	482/112



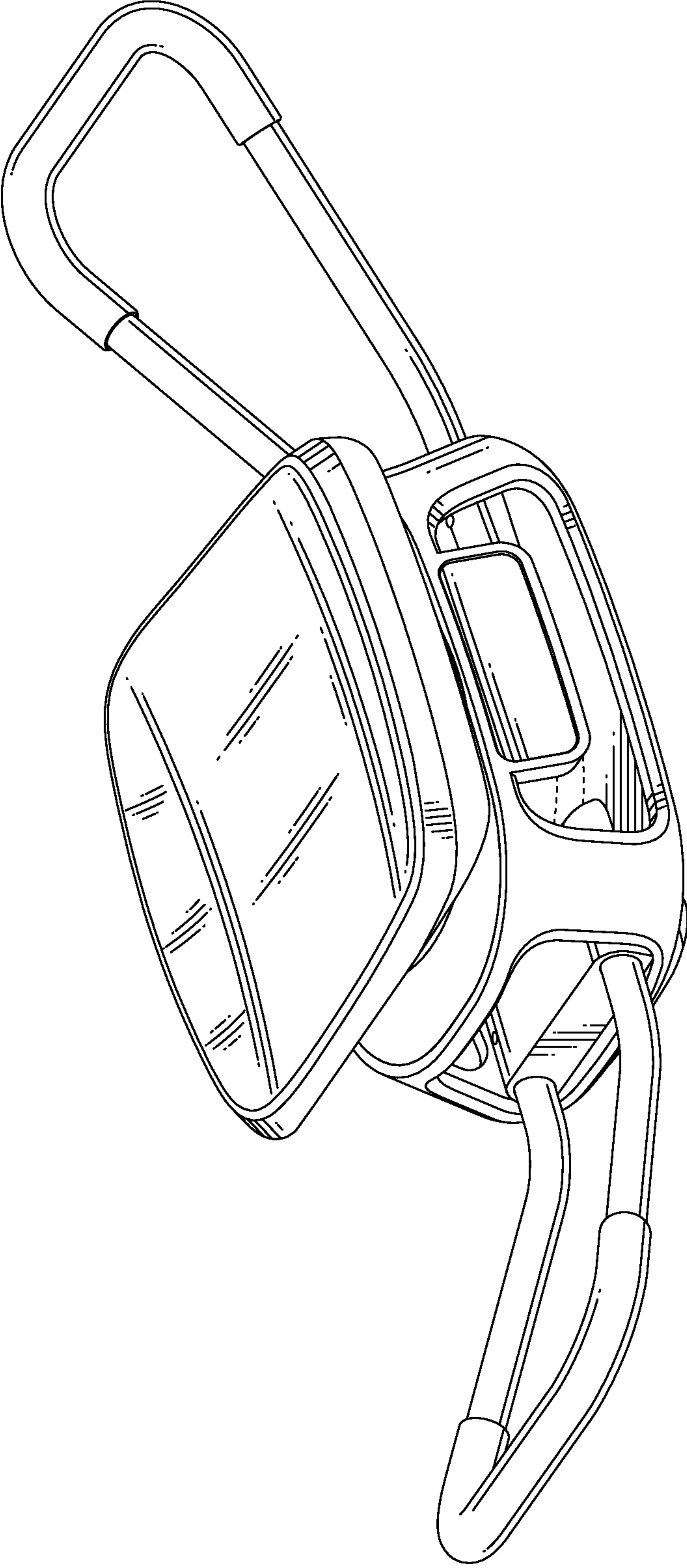


FIG.1

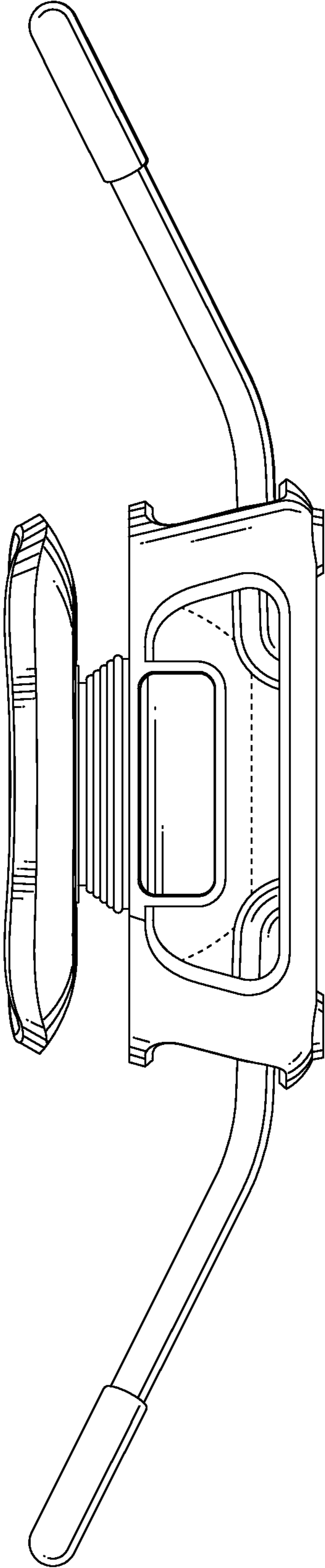


FIG.2

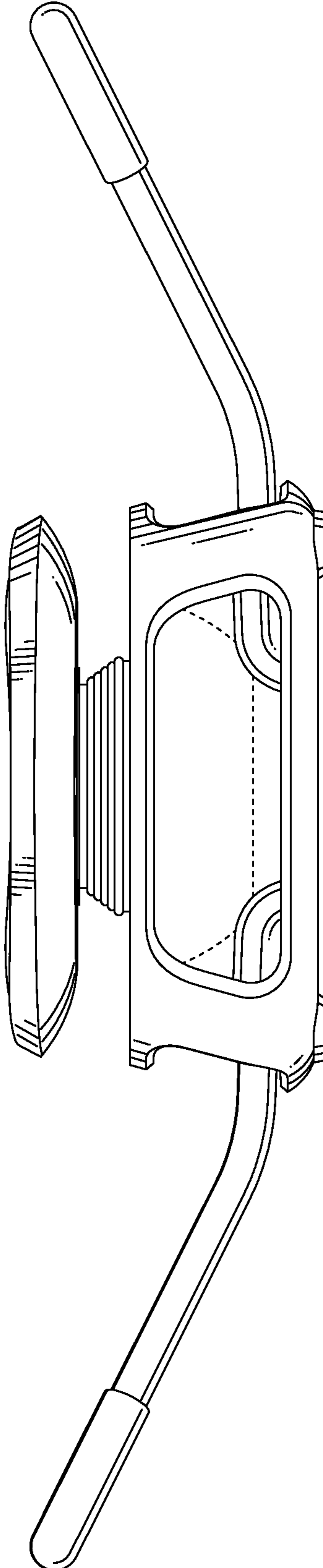


FIG.3

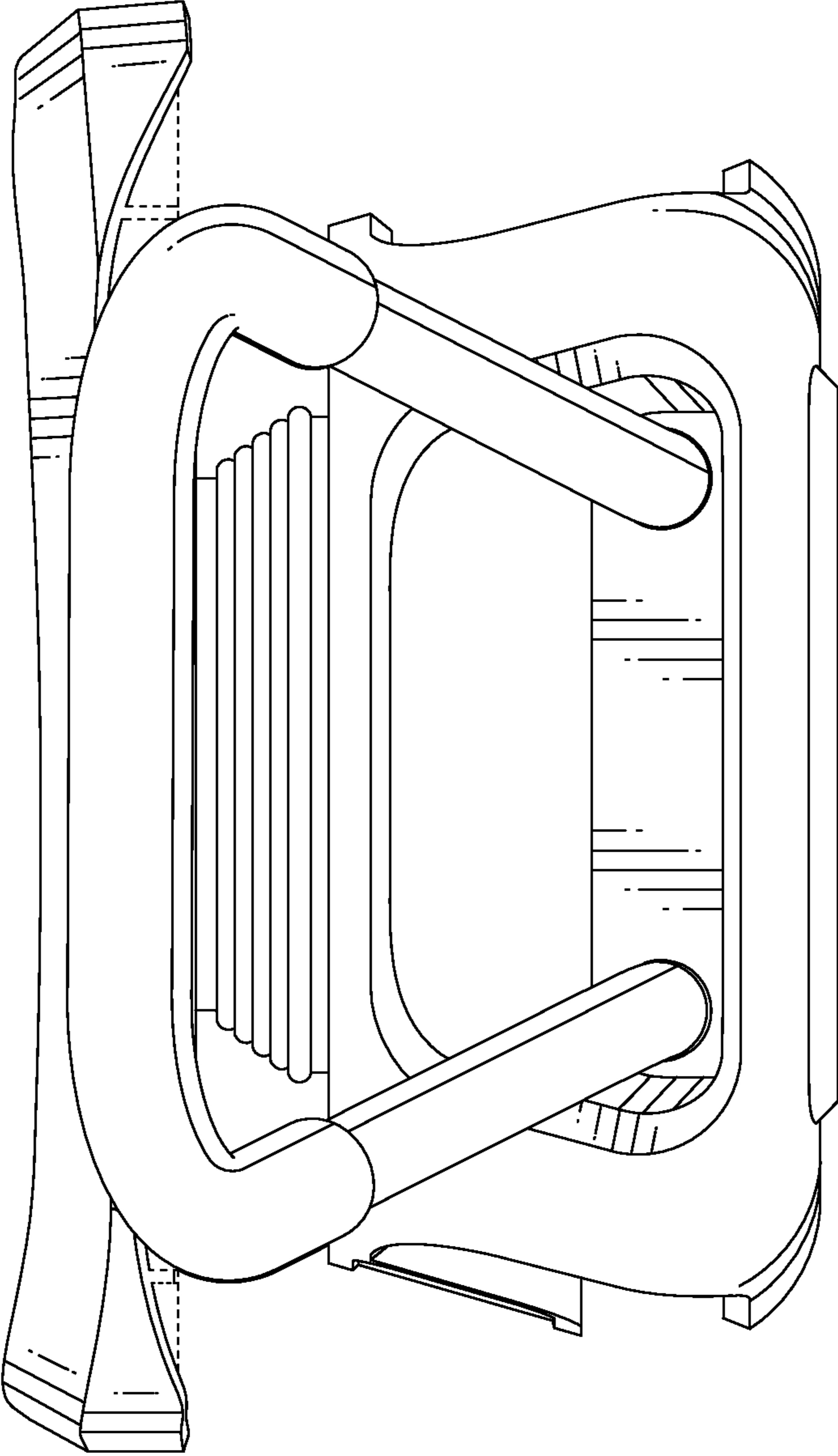


FIG.4

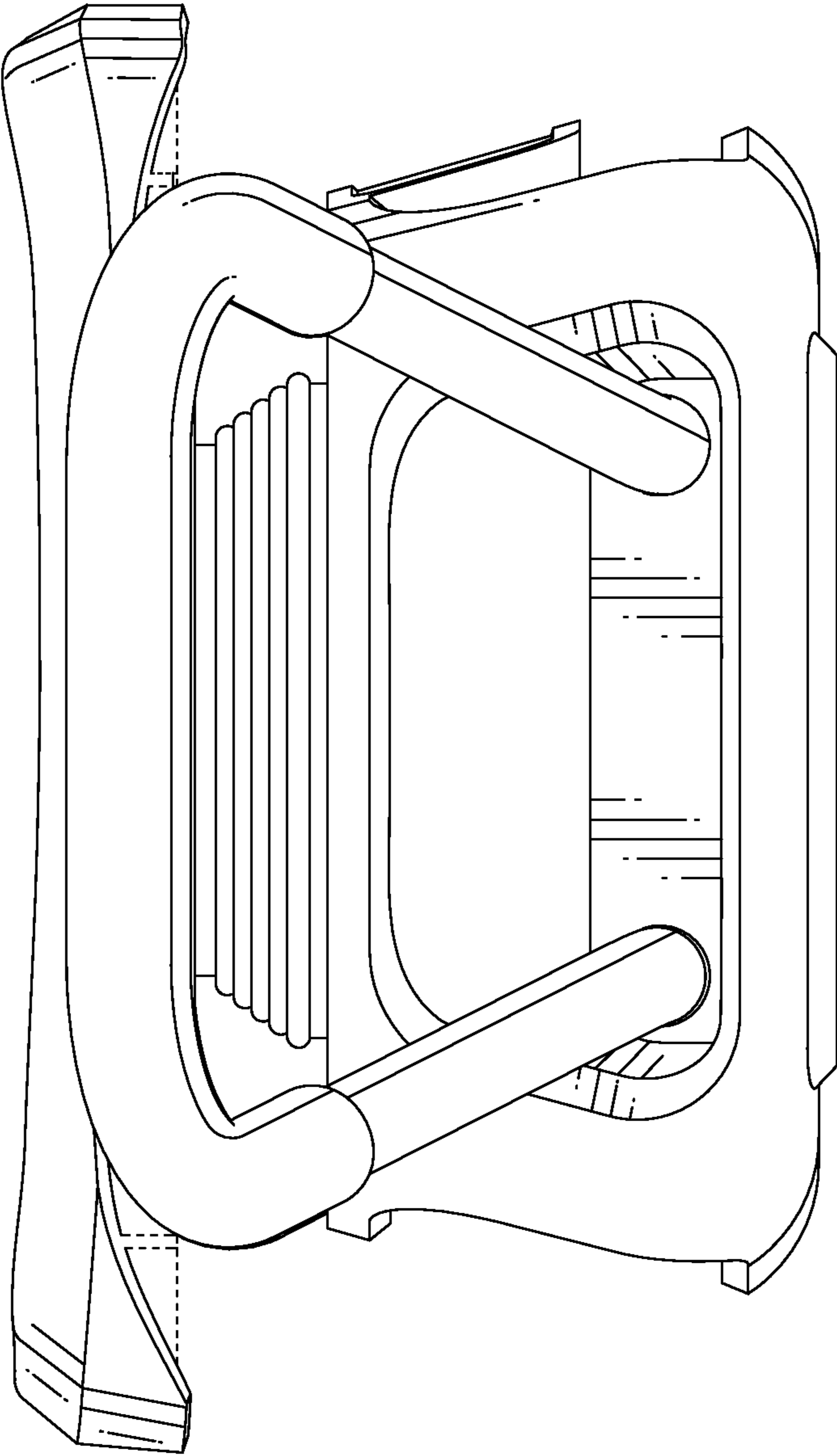


FIG.5

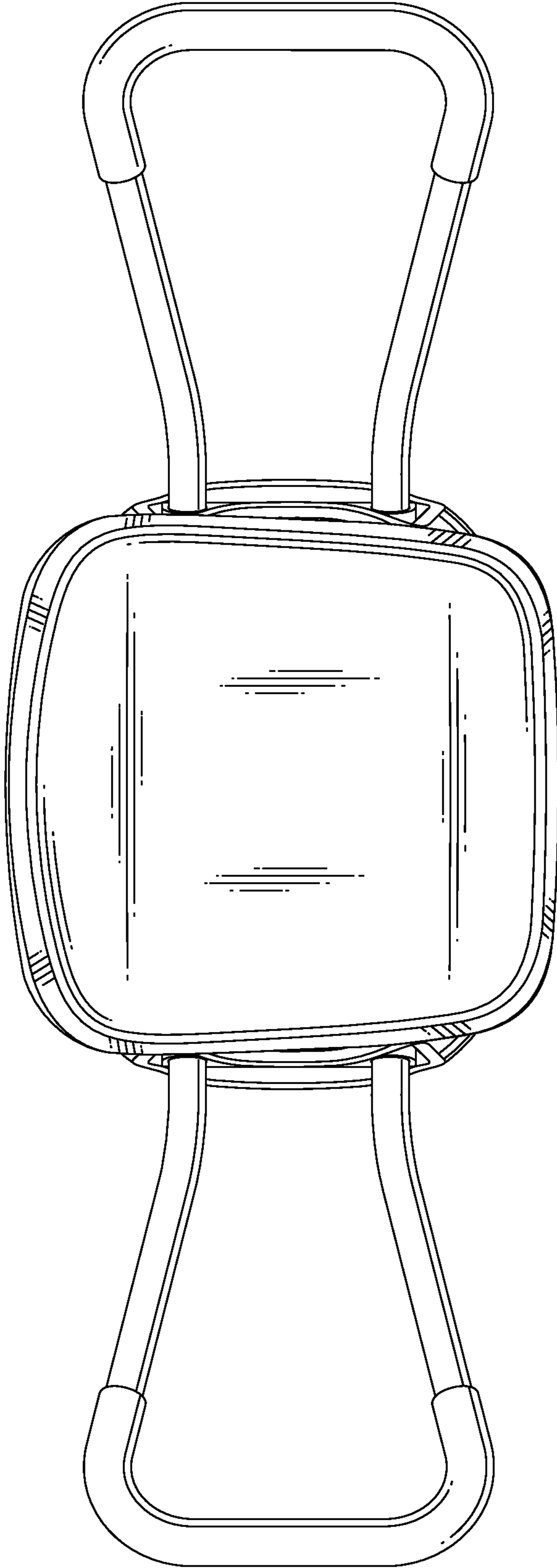


FIG.6

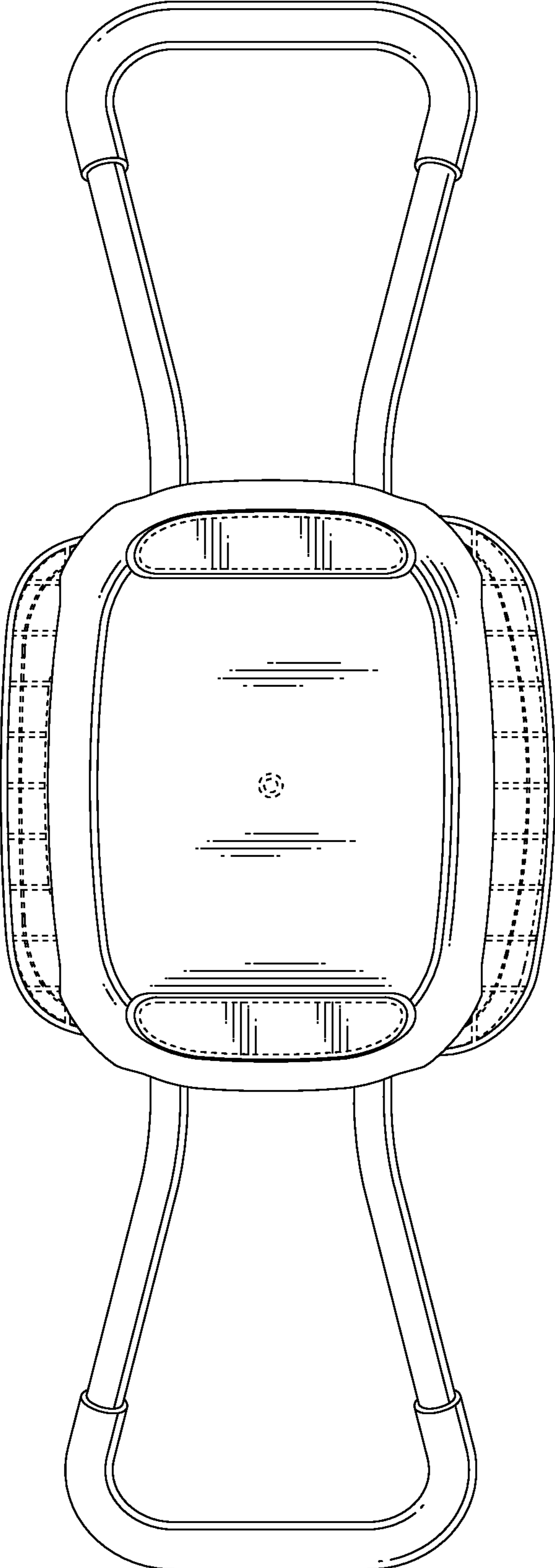


FIG.7