



US00D698872S

(12) **United States Design Patent**  
**Cummings**

(10) **Patent No.:** **US D698,872 S**

(45) **Date of Patent:** **\*\* Feb. 4, 2014**

(54) **TOY PROJECTILE**

(71) Applicant: **Peter Cummings**, Tsim Sha Tsui (HK)

(72) Inventor: **Peter Cummings**, Tsim Sha Tsui (HK)

(73) Assignee: **KMA Concepts Limited**, Hong Kong (HK)

(\*\*) Term: **14 Years**

(21) Appl. No.: **29/455,280**

(22) Filed: **May 19, 2013**

(51) **LOC (10) Cl.** ..... **21-01**

(52) **U.S. Cl.**

USPC ..... **D21/570**; D21/387

(58) **Field of Classification Search**

USPC ..... D21/301, 312, 385, 387, 436, 567, 570,  
D21/571; D22/115, 116; 473/578, 582, 613;  
273/348, 398, 408

See application file for complete search history.

(56) **References Cited**

**U.S. PATENT DOCUMENTS**

2,611,999 A \* 9/1952 Mikolay ..... 446/400  
D258,742 S \* 3/1981 Adamson et al. .... D21/572

D277,597 S \* 2/1985 Wik et al. .... D22/115  
D425,572 S \* 5/2000 Kurtz ..... D21/387  
D562,411 S \* 2/2008 Jones et al. .... D21/387  
D692,065 S \* 10/2013 Williams ..... D21/387  
D692,504 S \* 10/2013 Williams ..... D21/387

\* cited by examiner

*Primary Examiner* — Cynthia M Chin

(74) *Attorney, Agent, or Firm* — LaMorte & Associates, P.C.

(57) **CLAIM**

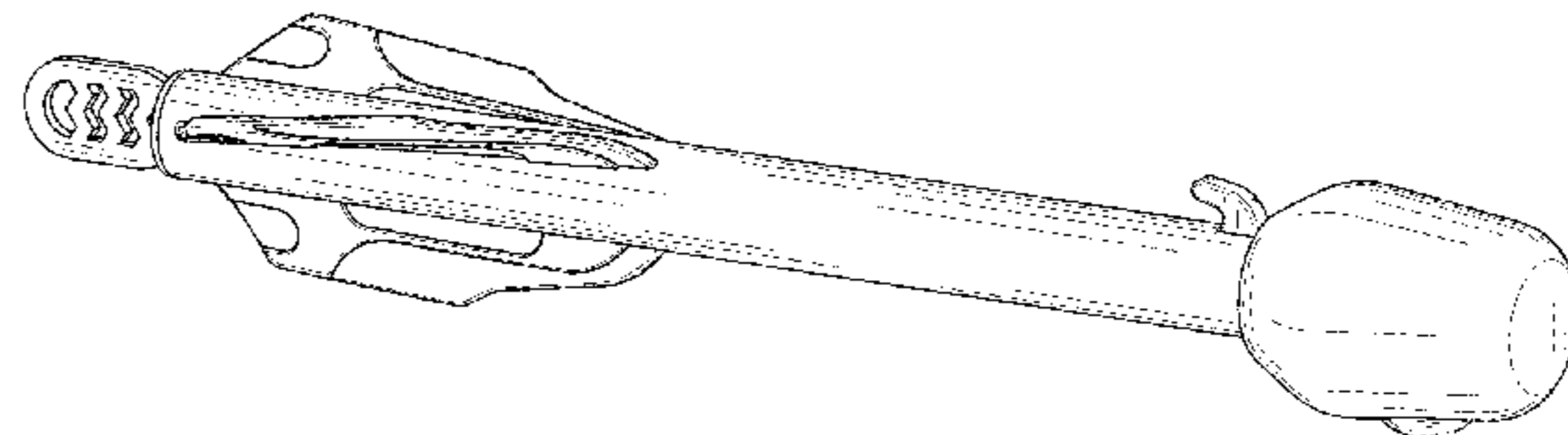
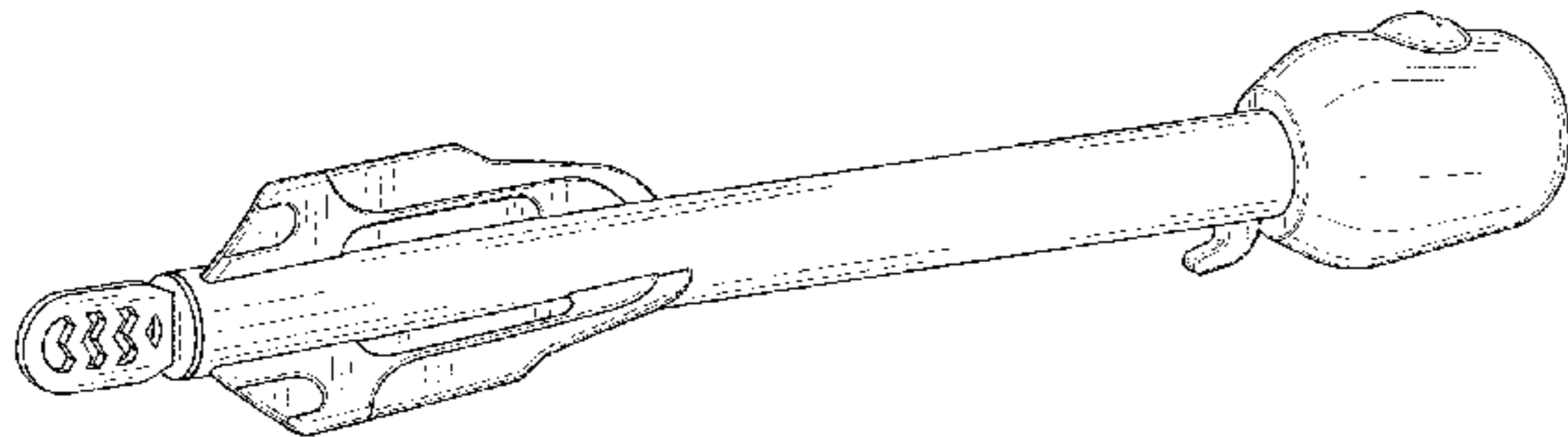
The ornamental design for a toy projectile, as shown and described.

**DESCRIPTION**

FIG. 1 is a top perspective view of a toy projectile;  
FIG. 2 is a rear perspective view thereof;  
FIG. 3 is a left side view thereof;  
FIG. 4 is a right side view thereof;  
FIG. 5 is a bottom view thereof;  
FIG. 6 is a top view thereof;  
FIG. 7 is a front view thereof; and,  
FIG. 8 is a rear view thereof.

The broken lines represent portions of the article that form no part of the claim.

**1 Claim, 5 Drawing Sheets**



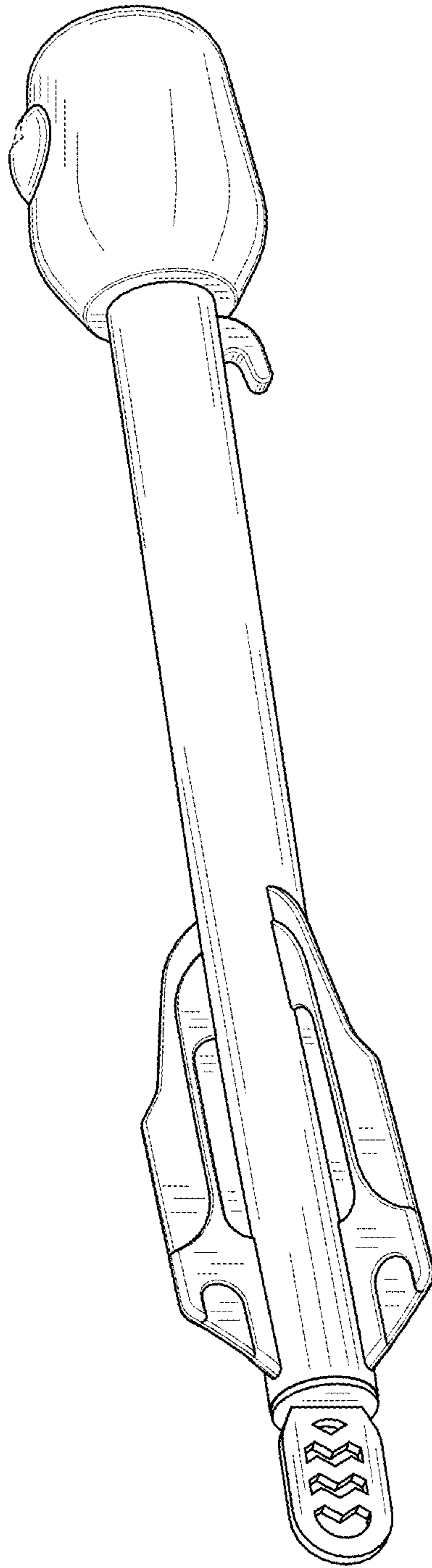


FIG. 1

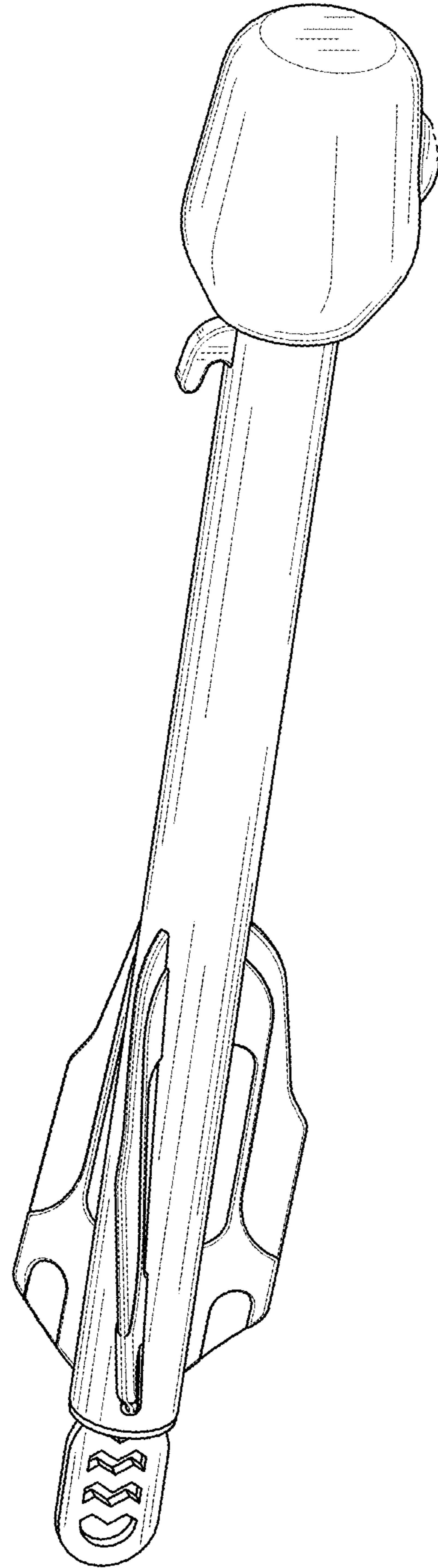


FIG. 2

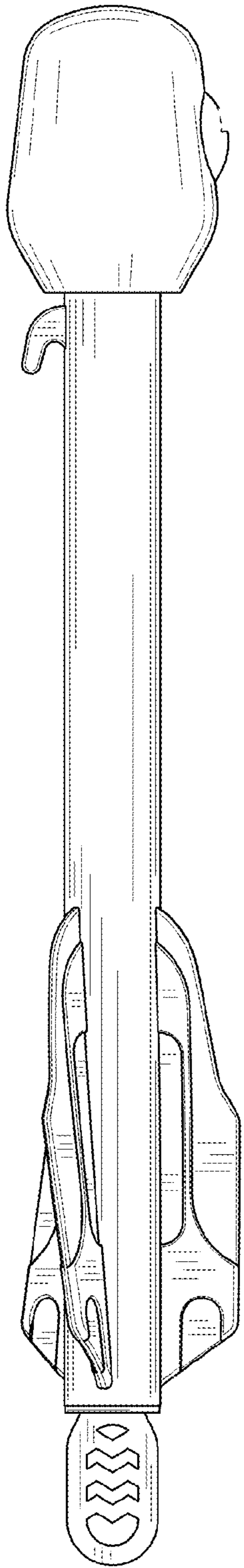


FIG. 3

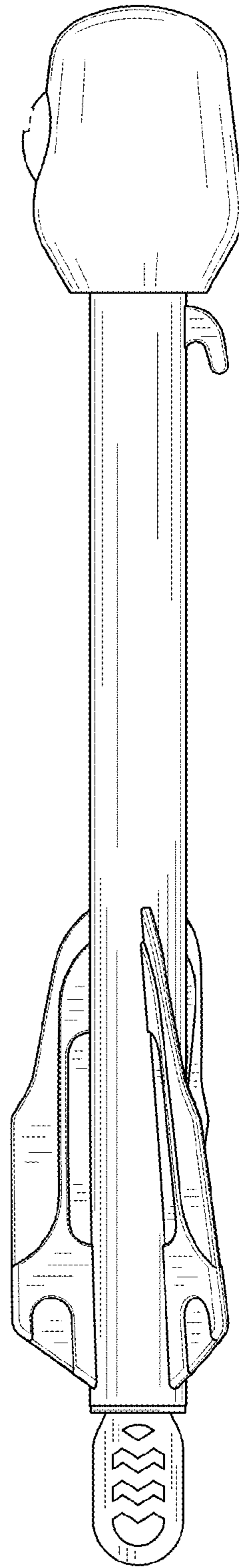


FIG. 4

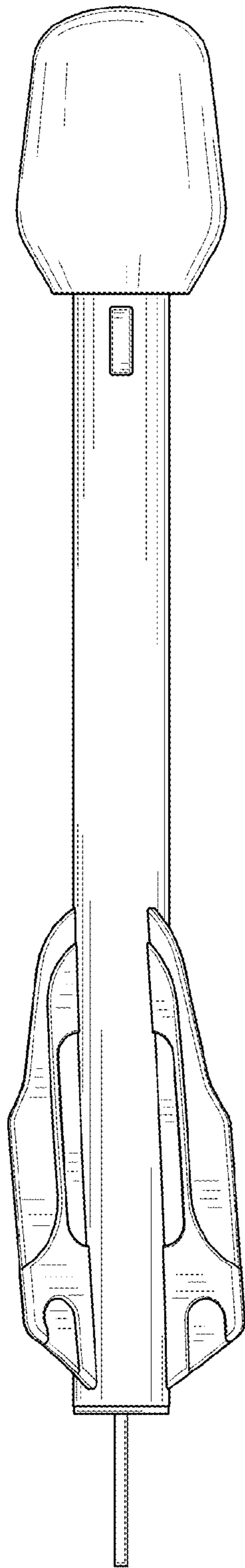


FIG. 5

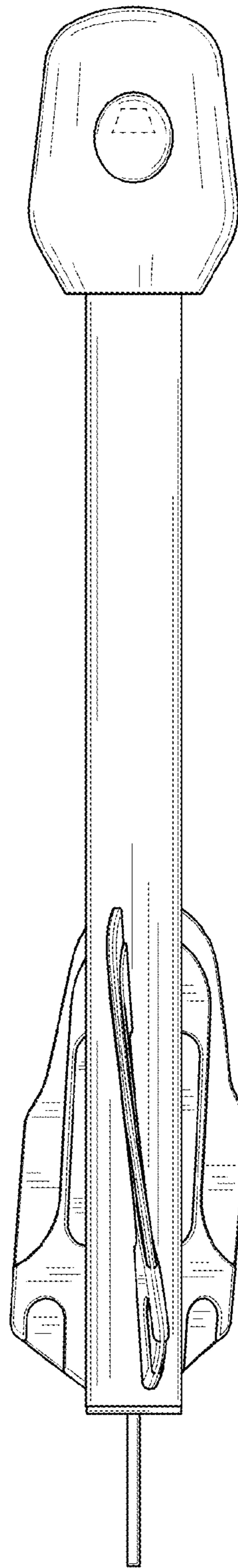


FIG. 6

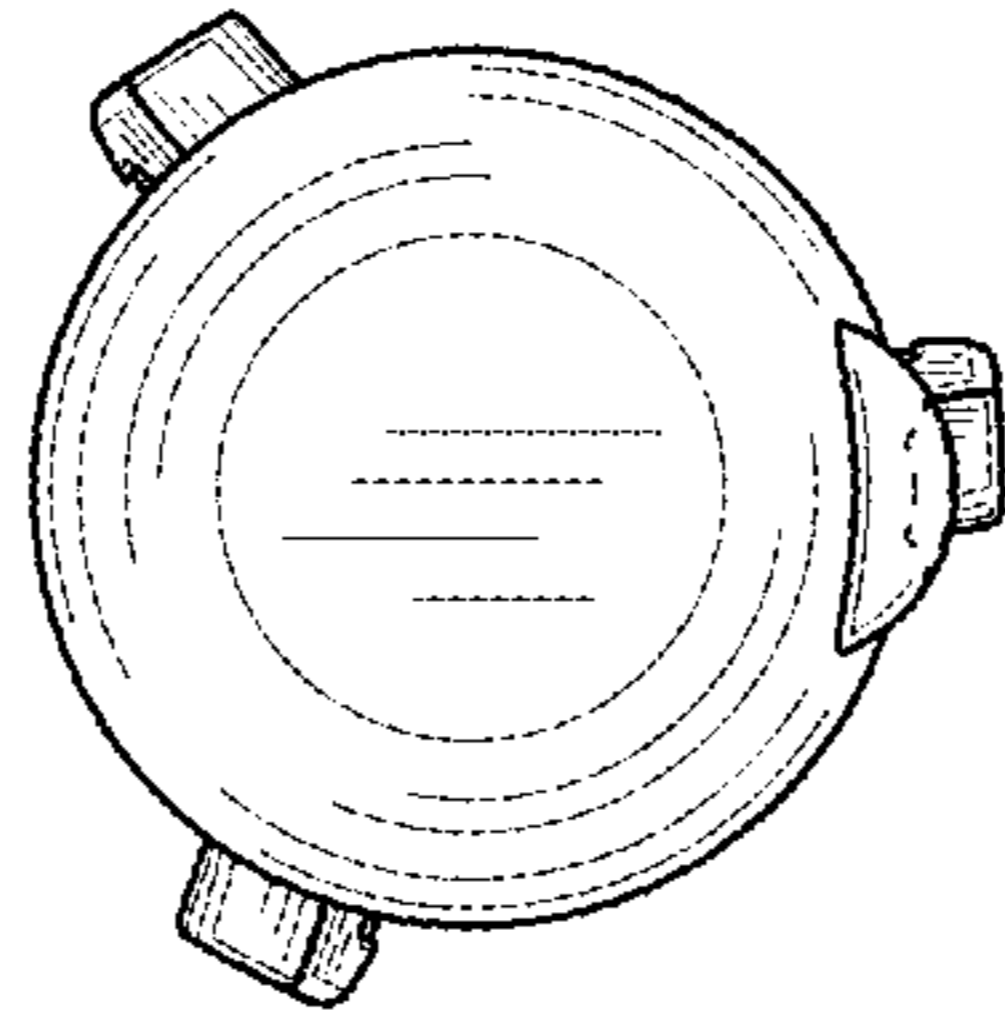


FIG. 7

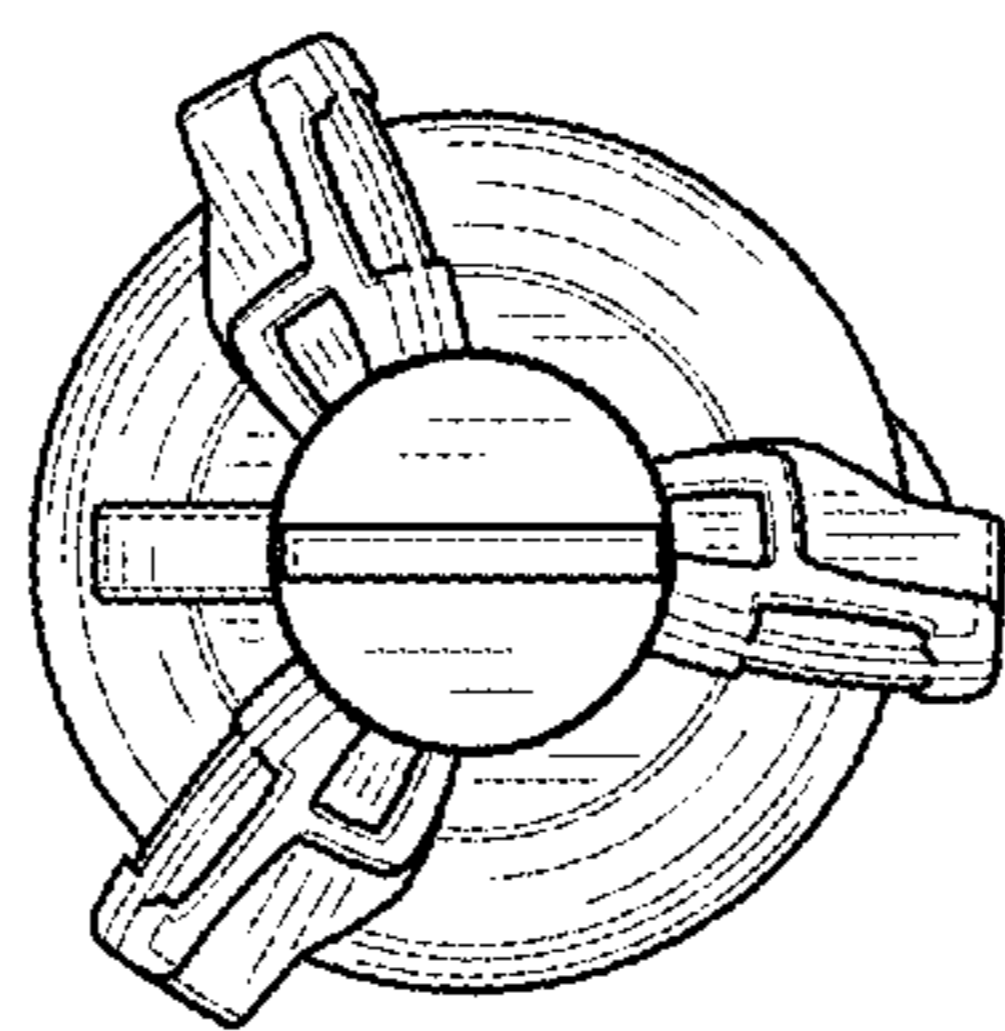


FIG. 8