



US00D698870S

(12) **United States Design Patent**
Lee

(10) **Patent No.:** **US D698,870 S**
(45) **Date of Patent:** **** Feb. 4, 2014**

- (54) **SOLAR-POWERED TOY CAR**
- (71) Applicant: **Wen-Hsien Lee**, New Taipei (TW)
- (72) Inventor: **Wen-Hsien Lee**, New Taipei (TW)
- (**) Term: **14 Years**
- (21) Appl. No.: **29/447,620**
- (22) Filed: **Mar. 5, 2013**
- (51) **LOC (10) Cl.** **21-01**
- (52) **U.S. Cl.**
USPC **D21/551**
- (58) **Field of Classification Search**
USPC D21/533, 548, 549, 550, 551, 552, 561,
D21/562, 433; 446/251, 268, 272, 274, 275,
446/277, 465, 468, 470, 471, 431, 454-456
See application file for complete search history.

(56) **References Cited**

U.S. PATENT DOCUMENTS

D246,676 S *	12/1977	Nakao	D21/550
D260,665 S *	9/1981	Yamashina	D21/551
D262,564 S *	1/1982	Yamashina	D21/549
D314,998 S *	2/1991	Berggren	D21/548
D315,931 S *	4/1991	Berggren	D21/551
D317,484 S *	6/1991	Berggren	D21/551
D329,475 S *	9/1992	Revell	D21/551

D384,377 S *	9/1997	Lun	D21/551
D402,712 S *	12/1998	Lun	D21/533
D410,260 S *	5/1999	Lun	D21/548
D433,467 S *	11/2000	Tsai	D21/552
D455,799 S *	4/2002	Yamazaki	D21/551
D462,097 S *	8/2002	Jacquard	D21/533

* cited by examiner

Primary Examiner — Cynthia M Chin

(74) *Attorney, Agent, or Firm* — patenttm.us

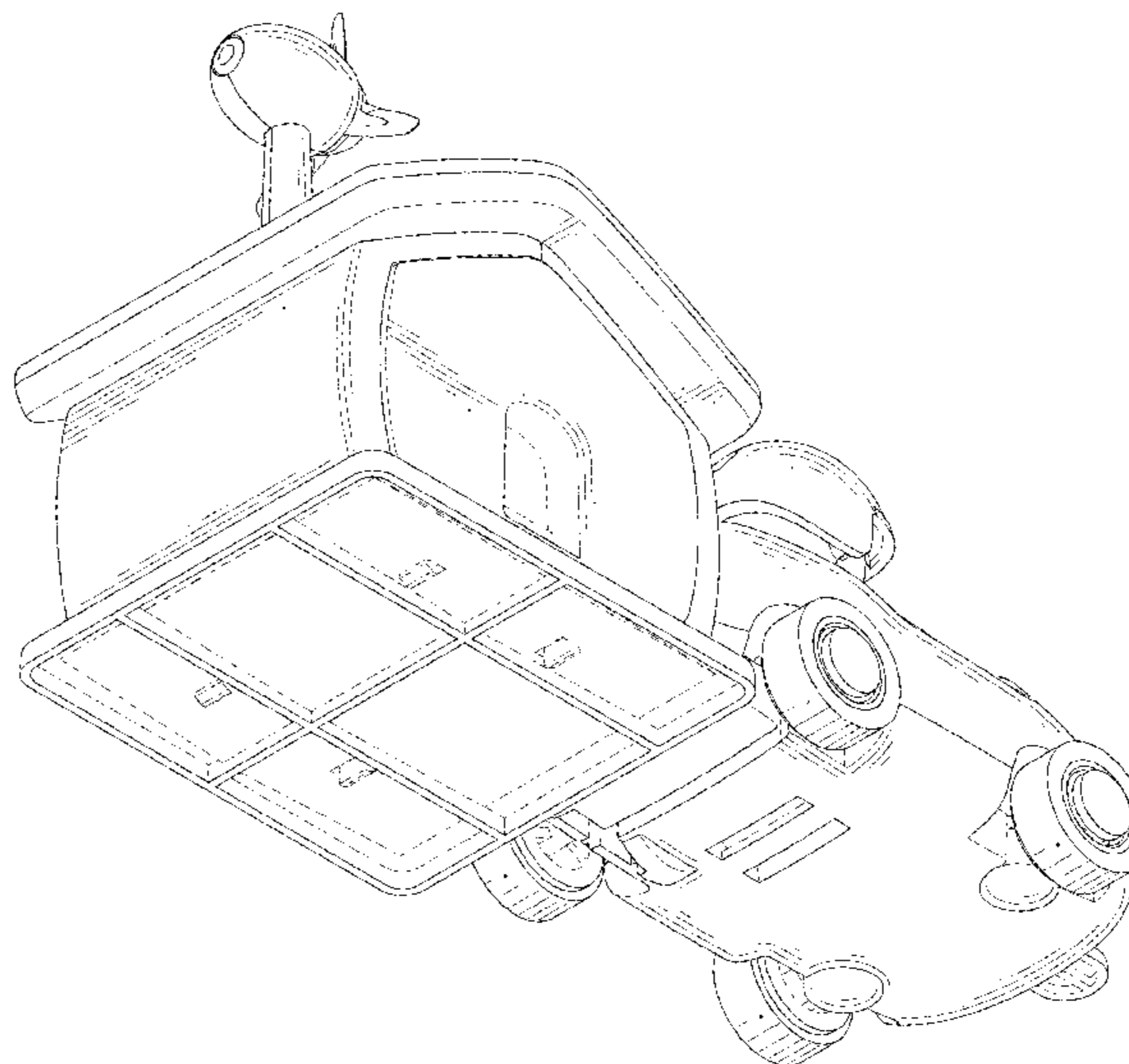
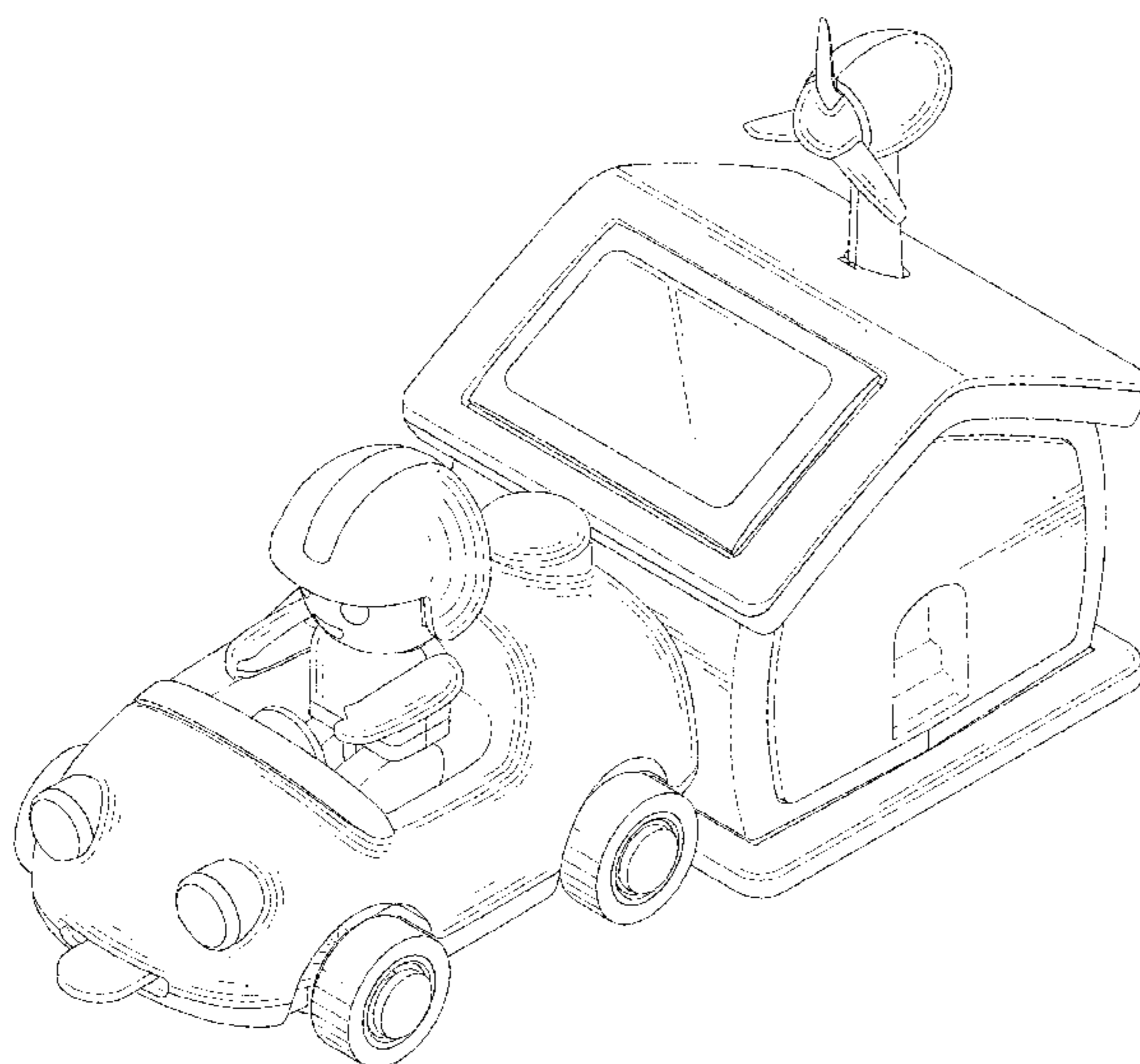
(57) **CLAIM**

The ornamental design for a solar-powered toy car, as shown and described.

DESCRIPTION

FIG. 1 is a perspective view of a solar-powered toy car showing my new design;
 FIG. 2 is a front view thereof;
 FIG. 3 is a rear view thereof;
 FIG. 4 is a left side view thereof;
 FIG. 5 is a right side view thereof;
 FIG. 6 is a top view thereof;
 FIG. 7 is a bottom view thereof; and,
 FIG. 8 is another perspective view thereof.
 The broken lines shown are included for the purpose of illustrating the unclaimed portions of the article and form no part of the claimed design.

1 Claim, 8 Drawing Sheets



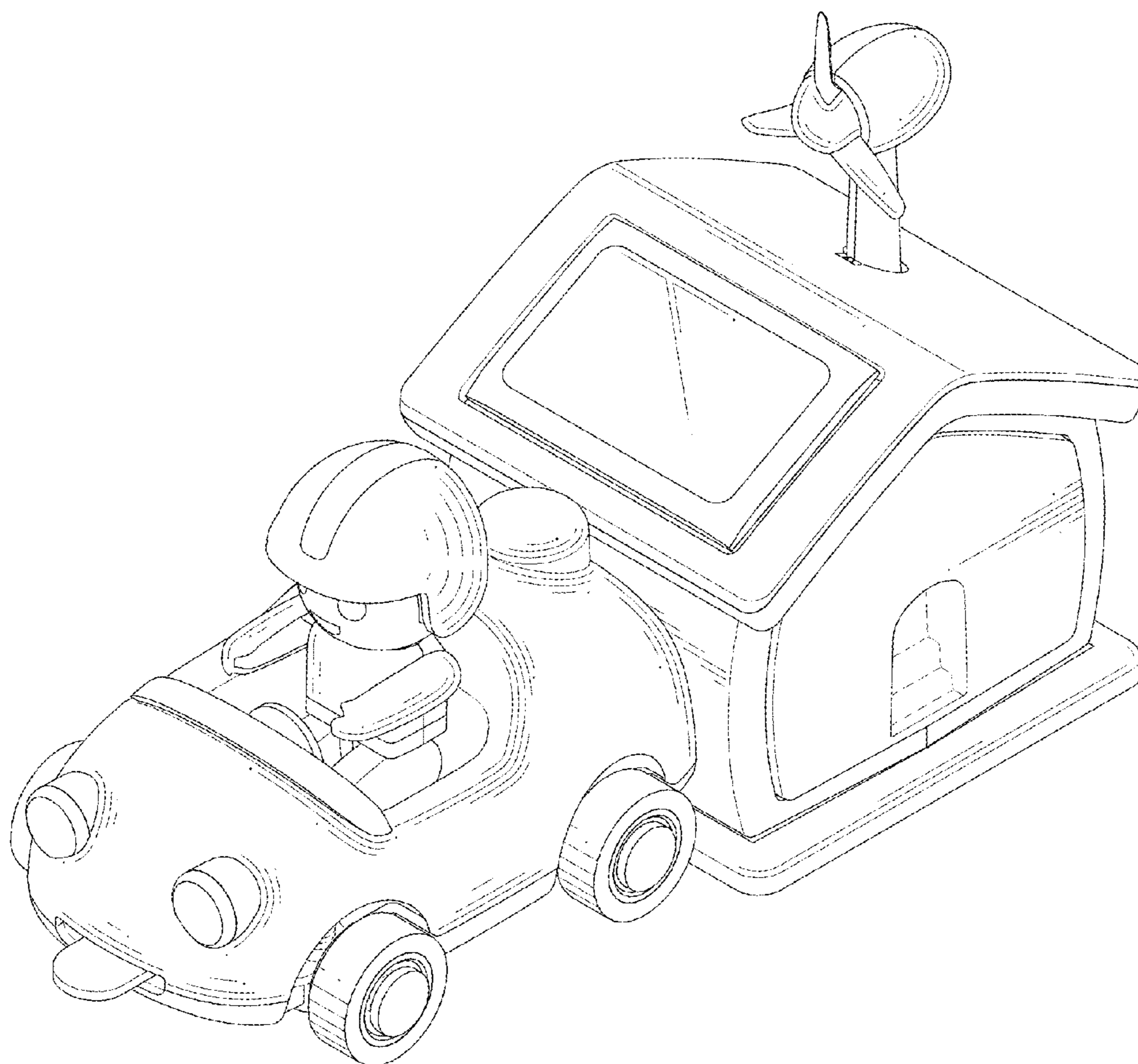


FIG. 1

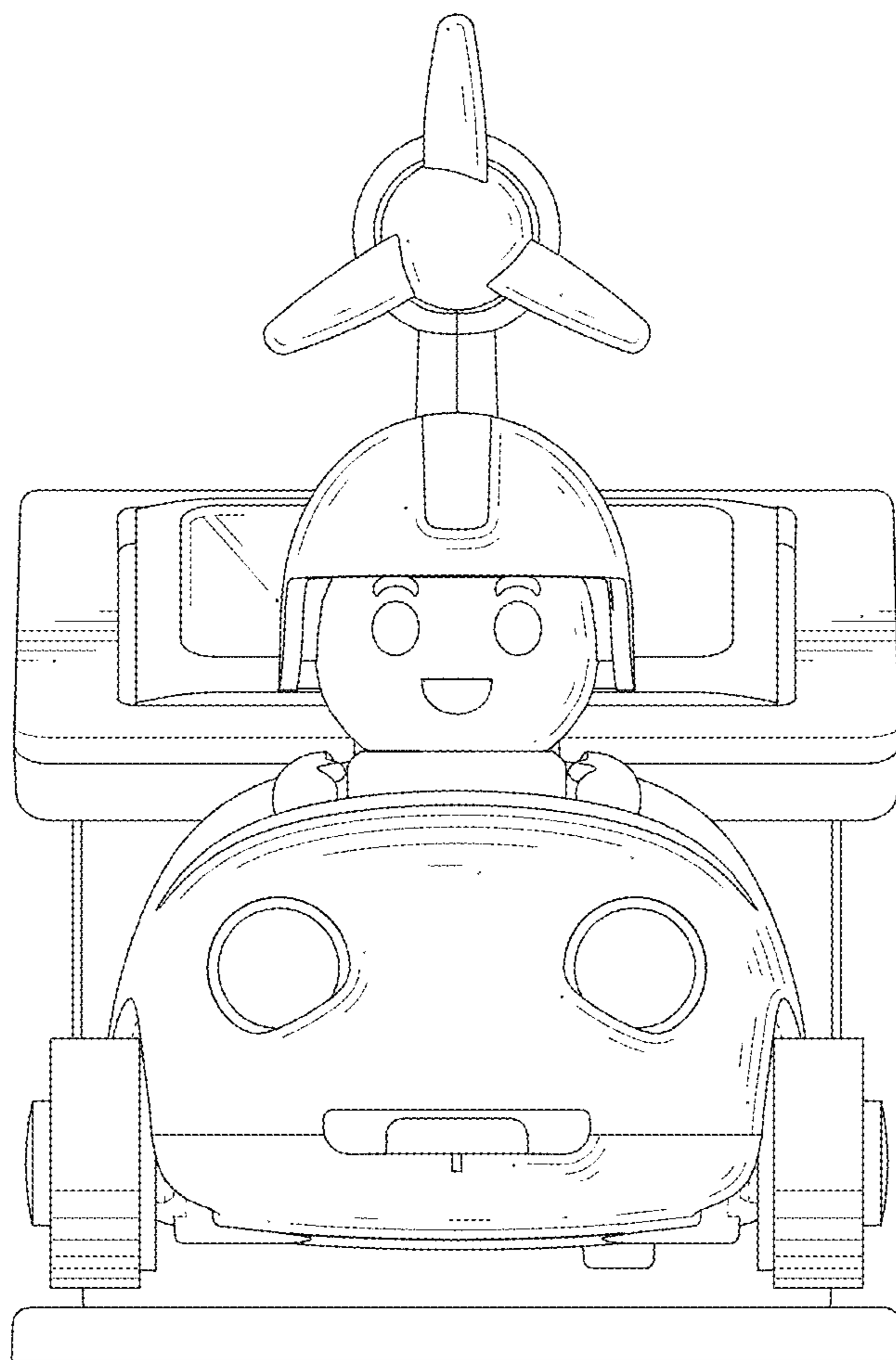


FIG. 2

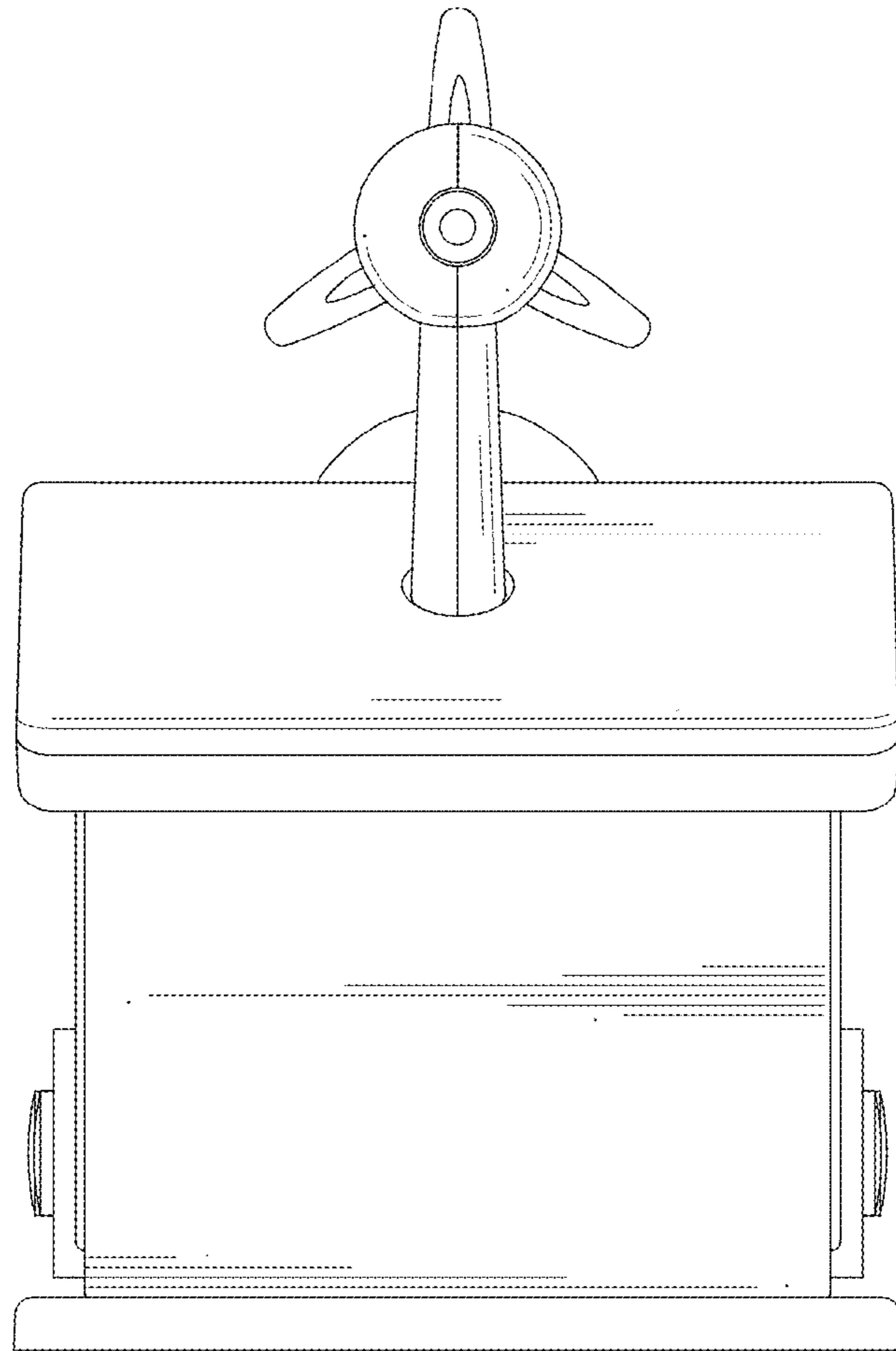


FIG. 3

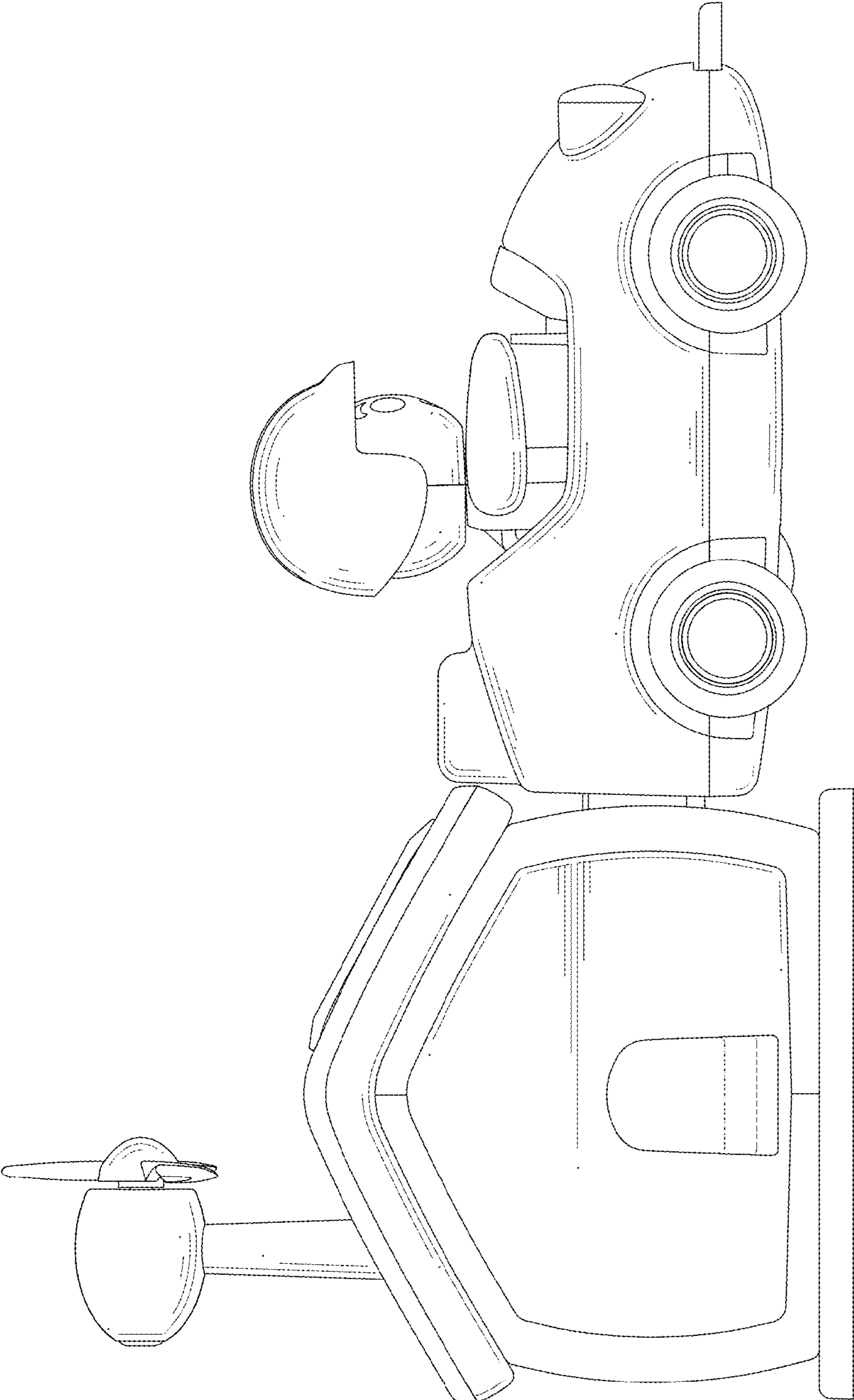


FIG. 4

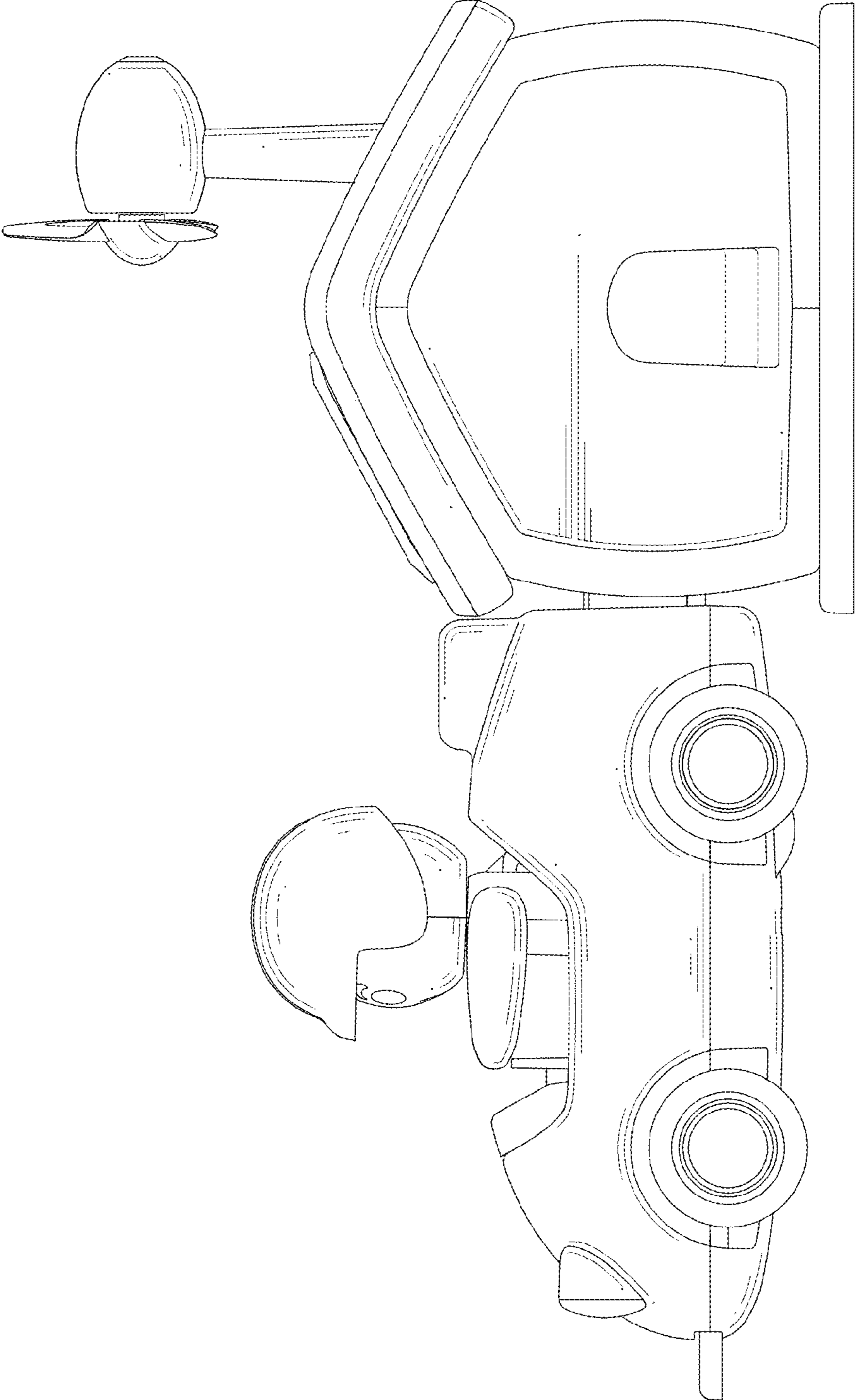


FIG. 5

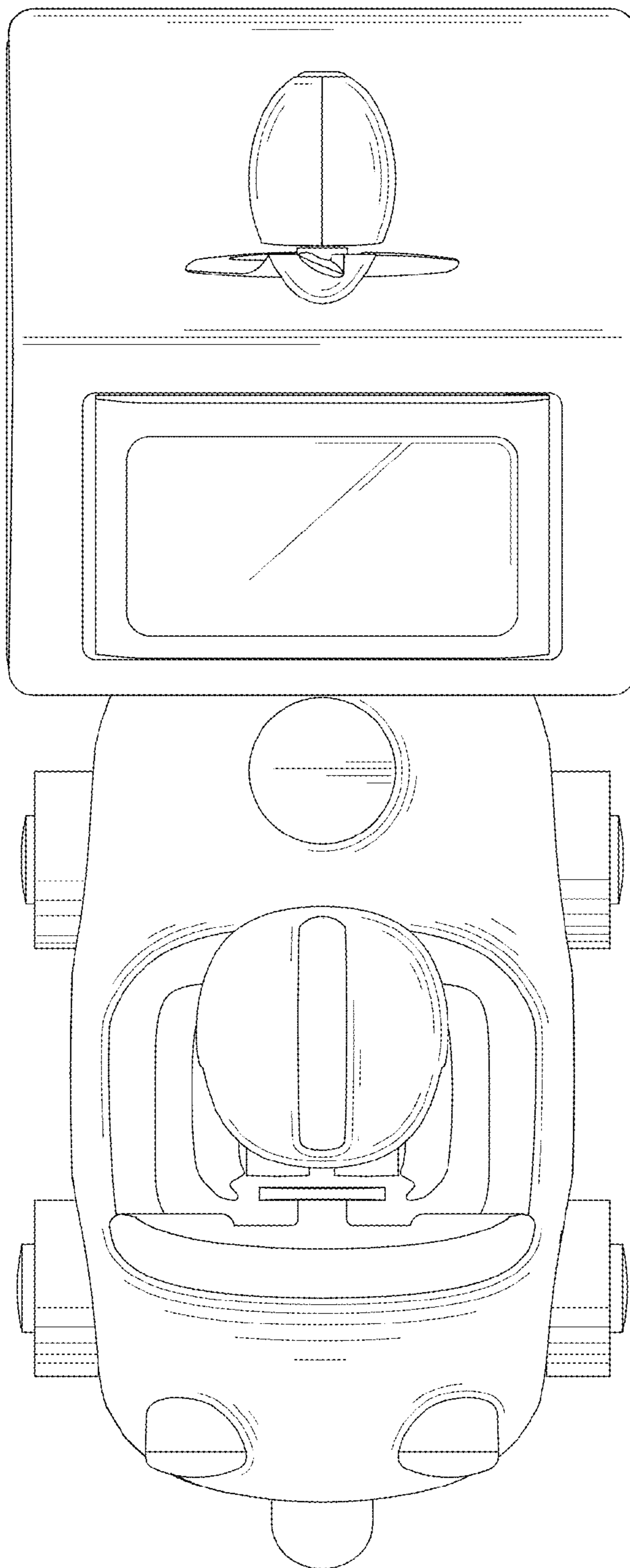


FIG. 6

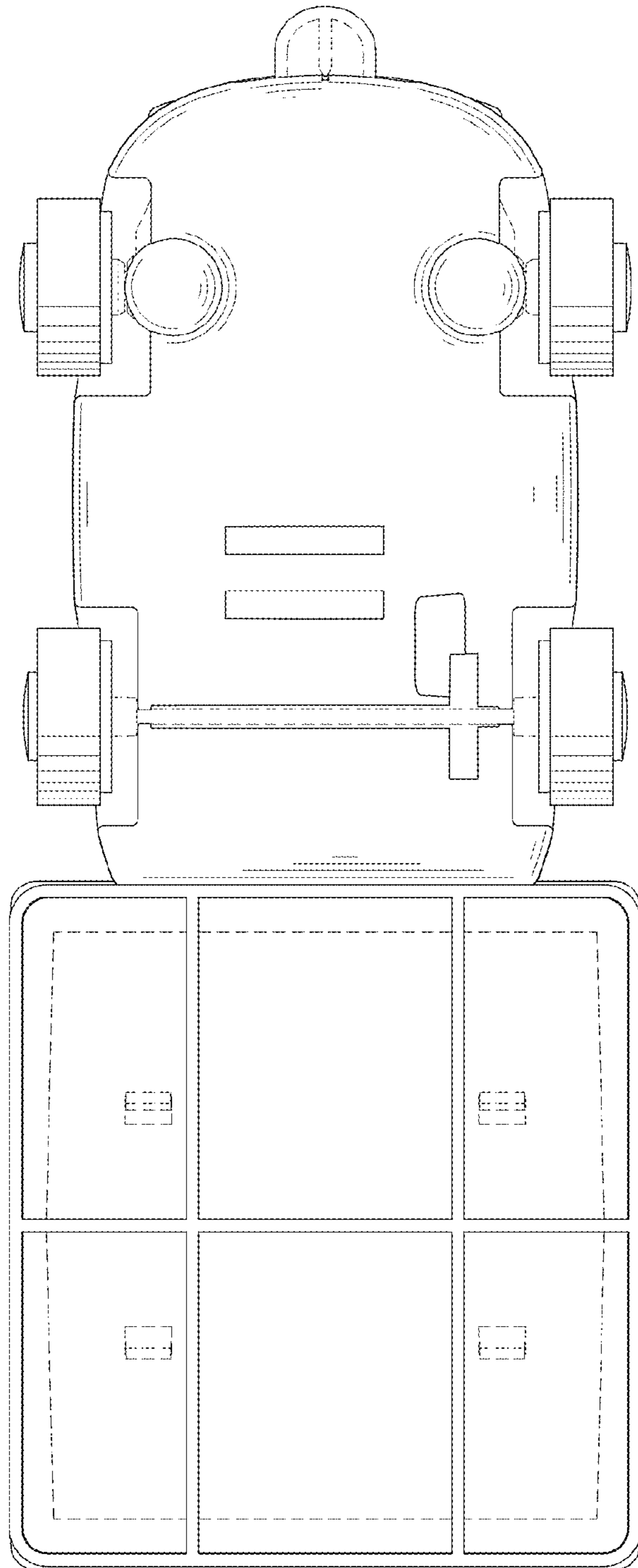


FIG. 7

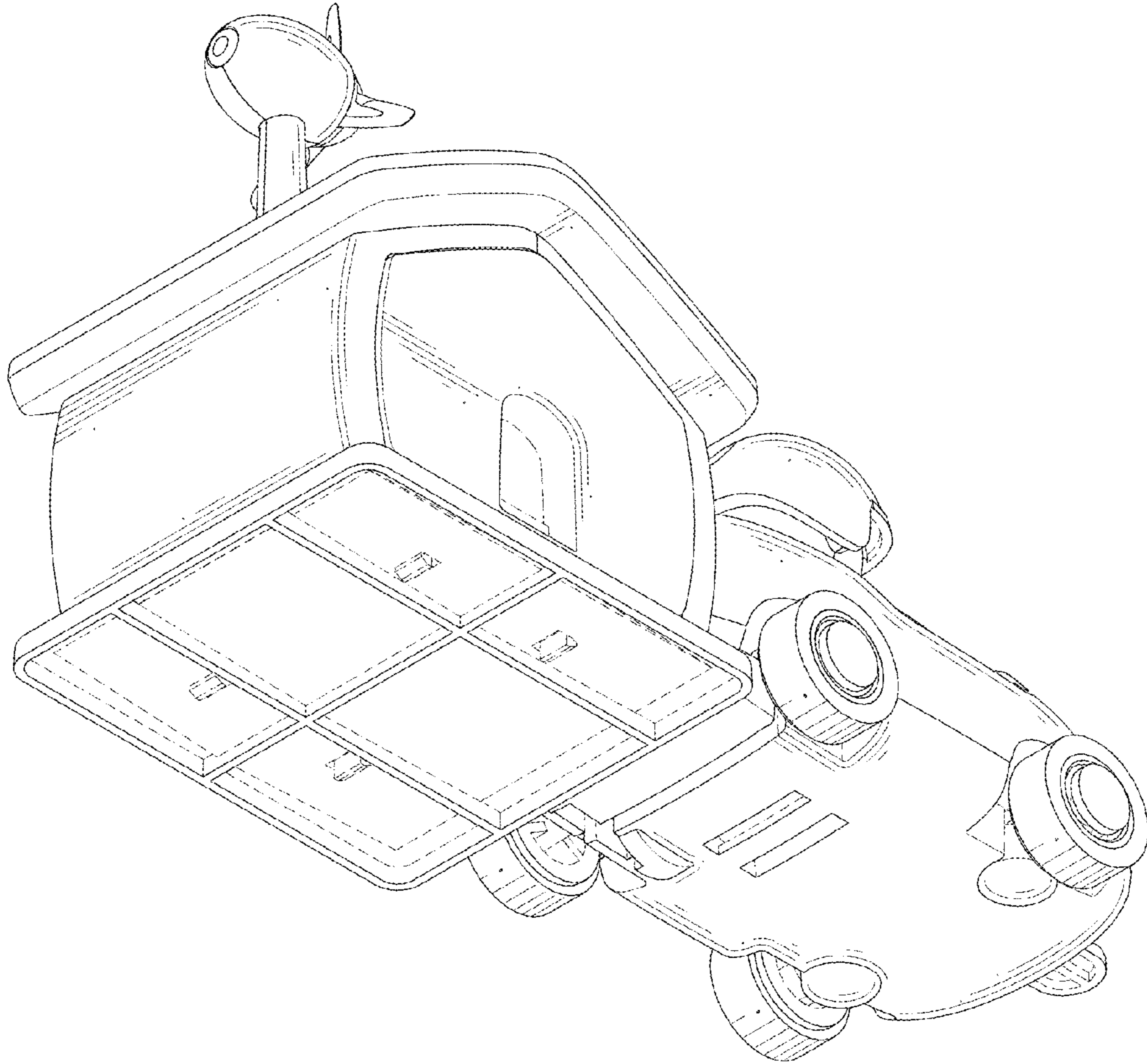


FIG. 8