



US00D698869S

(12) **United States Design Patent**  
**Strzelewicz et al.**

(10) **Patent No.:** **US D698,869 S**  
(45) **Date of Patent:** **\*\* Feb. 4, 2014**

- (54) **CUBE**
- (71) Applicants: **Patryk Strzelewicz**, Poznan (PL);  
**Michal Bak**, Murowana Goslina (PL);  
**Tomasz Watorowski**, Bydgoszcz (PL)
- (72) Inventors: **Patryk Strzelewicz**, Poznan (PL);  
**Michal Bak**, Murowana Goslina (PL);  
**Tomasz Watorowski**, Bydgoszcz (PL)
- (73) Assignee: **Game Technologies S.A.**, Poznan (PL)

5,035,666	A *	7/1991	Kang	446/118
5,310,071	A *	5/1994	Rivlin et al.	220/23.4
D359,315	S *	6/1995	Tacey	D21/499
D369,100	S *	4/1996	Johnson	D21/499
D481,767	S *	11/2003	May et al.	D21/499
D482,742	S *	11/2003	May et al.	D21/499
D497,399	S *	10/2004	May et al.	D21/499
D509,858	S *	9/2005	May et al.	D21/499
D610,212	S *	2/2010	Pedersen	D21/499
D616,044	S *	5/2010	Tervo	D21/499
D616,045	S *	5/2010	Tervo	D21/499
D681,548	S *	5/2013	Zhang et al.	D13/102
D684,215	S *	6/2013	Markowitz	D21/333
D685,080	S *	6/2013	Ferguson et al.	D24/101

(\*\*) Term: **14 Years**

\* cited by examiner

(21) Appl. No.: **29/436,570**

*Primary Examiner* — Cynthia M Chin

(22) Filed: **Nov. 7, 2012**

(74) *Attorney, Agent, or Firm* — Andrew F. Young, Esq.;  
Lackebach Siegel, LLP

(30) **Foreign Application Priority Data**

Jun. 28, 2012 (EM) ..... 002064824-0001

(51) **LOC (10) Cl.** ..... **21-01**

(52) **U.S. Cl.**  
USPC ..... **D21/499**

(58) **Field of Classification Search**  
USPC ..... D21/333, 386, 389, 404, 468, 470, 471,  
D21/484–505; 446/69, 85, 102–128;  
434/208, 259, 403; 273/153, 156, 160;  
D25/113–116, 118; D24/101  
See application file for complete search history.

(56) **References Cited**

U.S. PATENT DOCUMENTS

3,577,671	A *	5/1971	Woollett	446/124
D255,473	S *	6/1980	Chase et al.	D21/499
4,651,613	A *	3/1987	Harrison	446/297

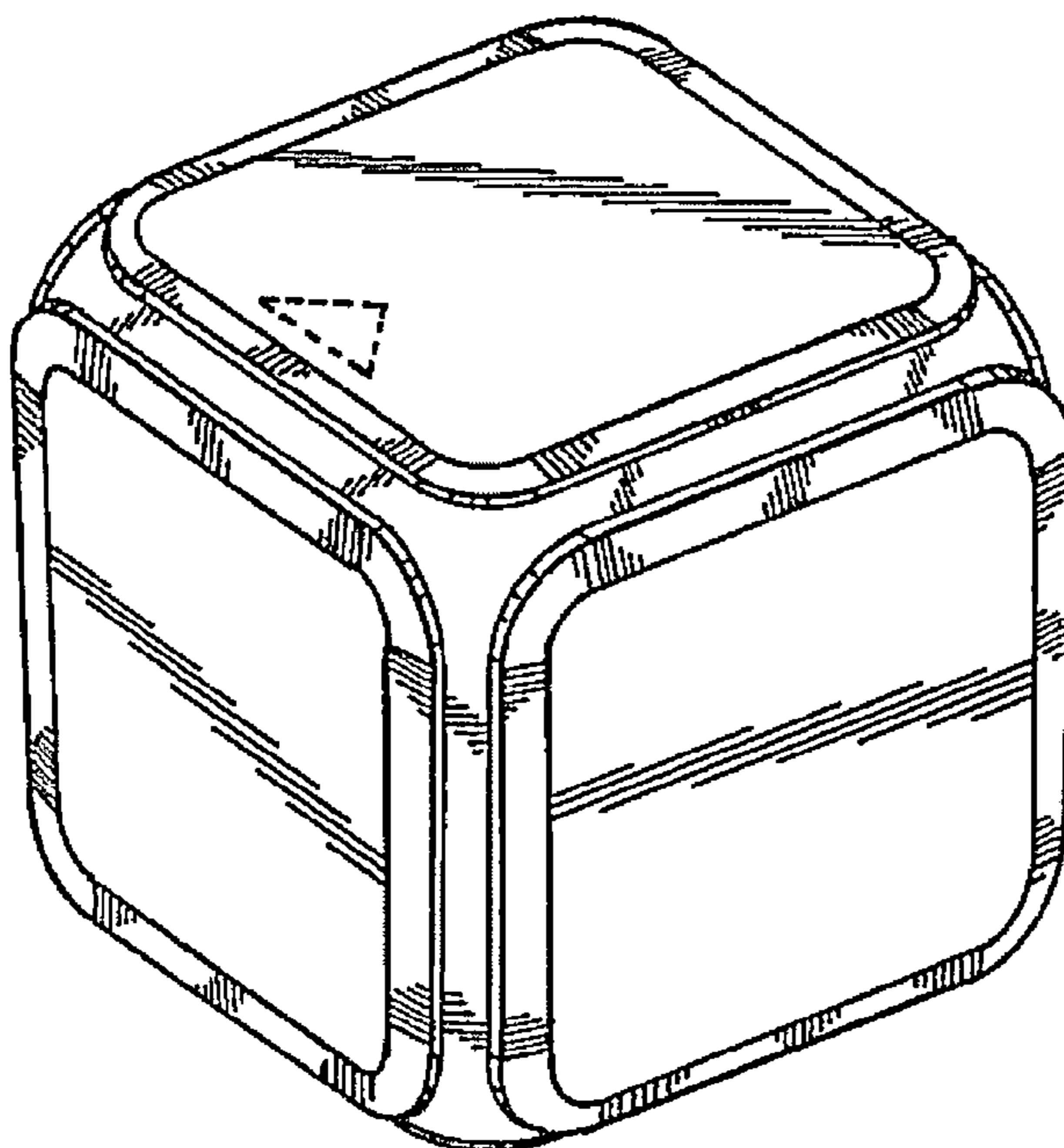
(57) **CLAIM**

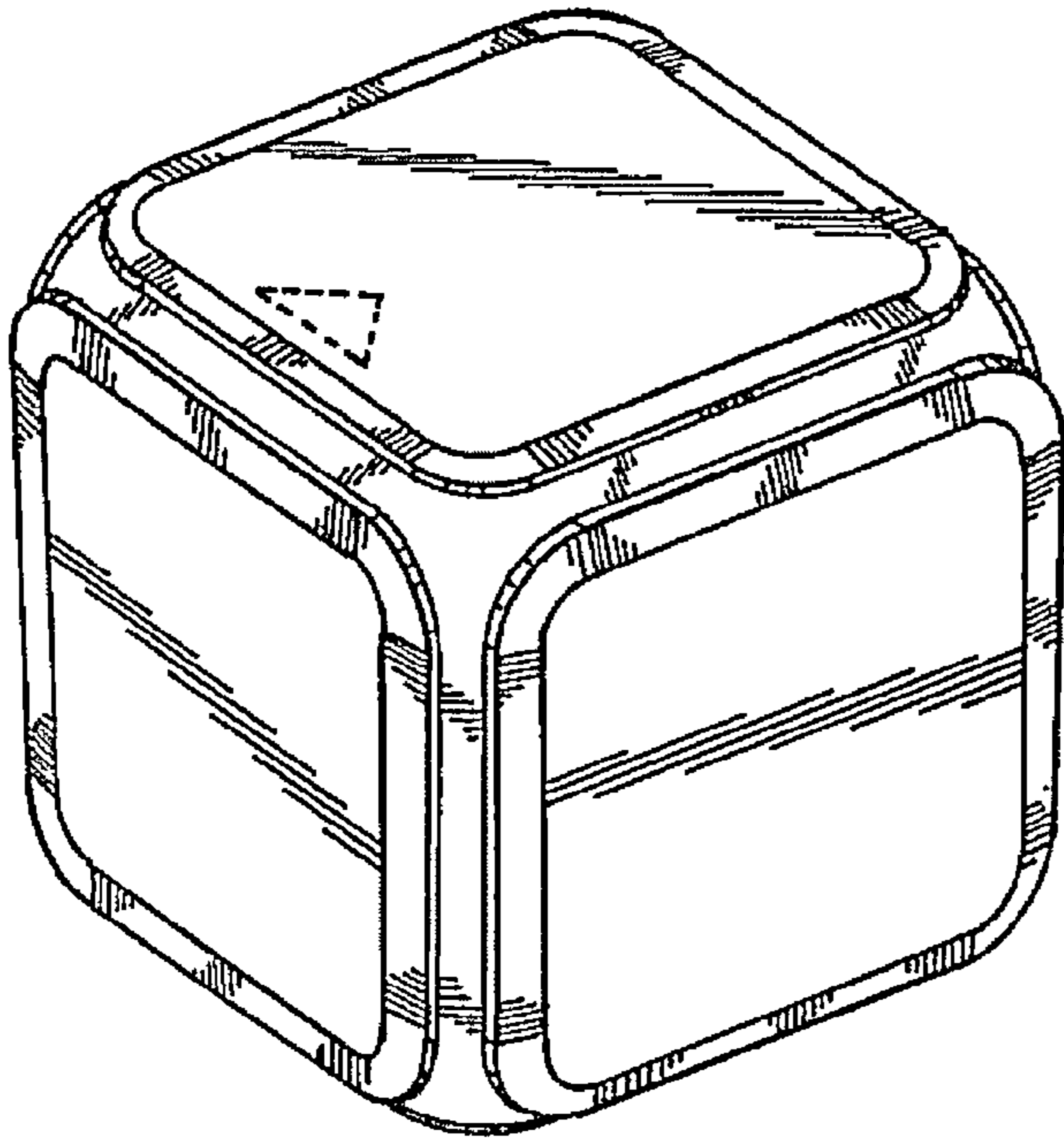
The ornamental design for a cube, as shown and described.

**DESCRIPTION**

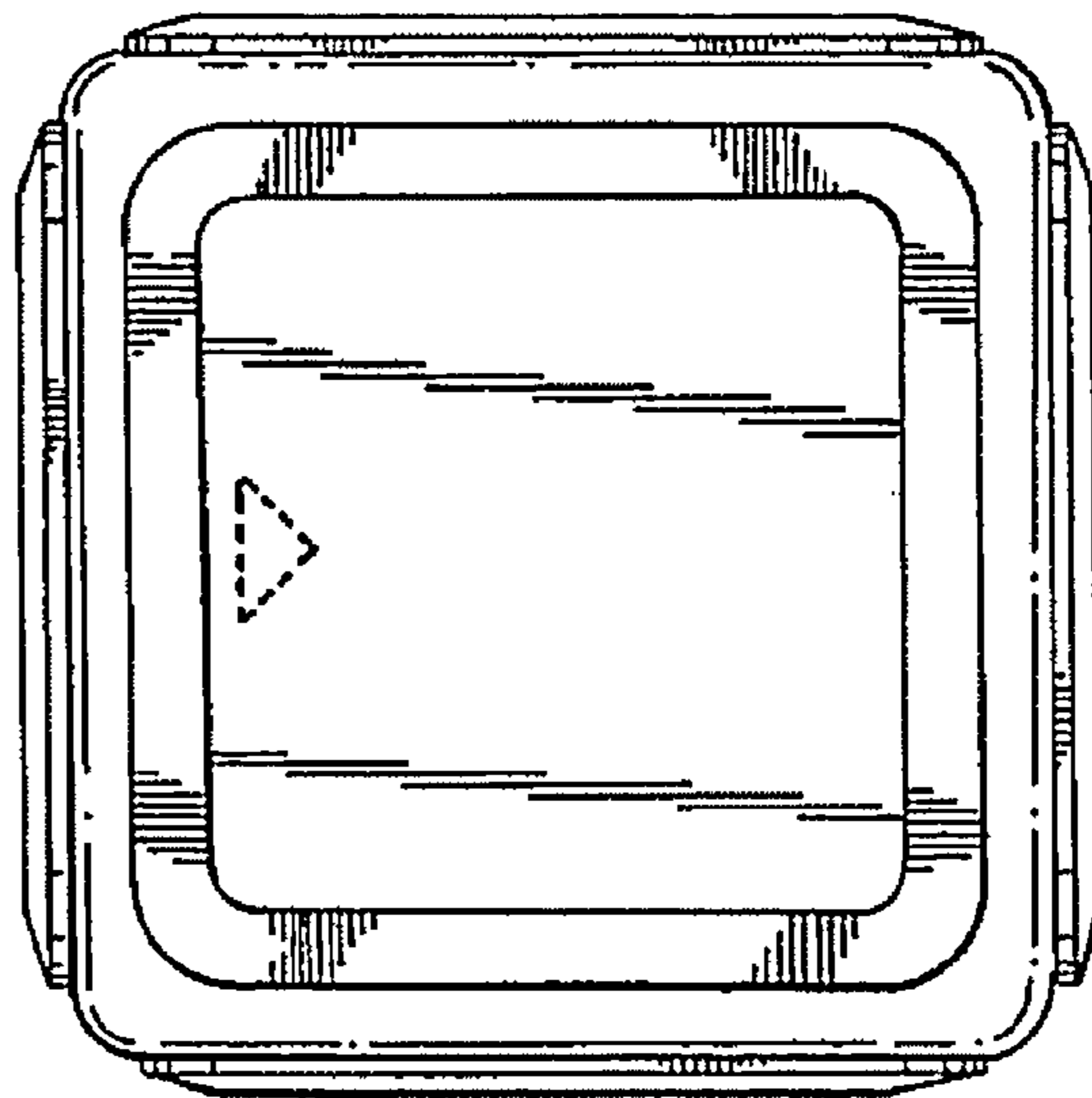
FIG. 1 is a front perspective view of a cube.  
 FIG. 2 is a top plan view of the cube of FIG. 1, the bottom plan view being a mirror image thereof.  
 FIG. 3 is a left side elevational view of the cube of FIG. 1, the right side elevation view being a mirror image thereof; and,  
 FIG. 4 is a front elevational view of the cube of FIG. 1, the rear elevation view being a mirror image thereof.  
 The broken line showing is for illustrative purposes only and forms no part of the claimed design, namely the broken line arrow shown in FIGS. 1 and 2 illustrates a direction motion for a sliding access to the cube during a use, and forms no part of the claimed design.

**1 Claim, 2 Drawing Sheets**

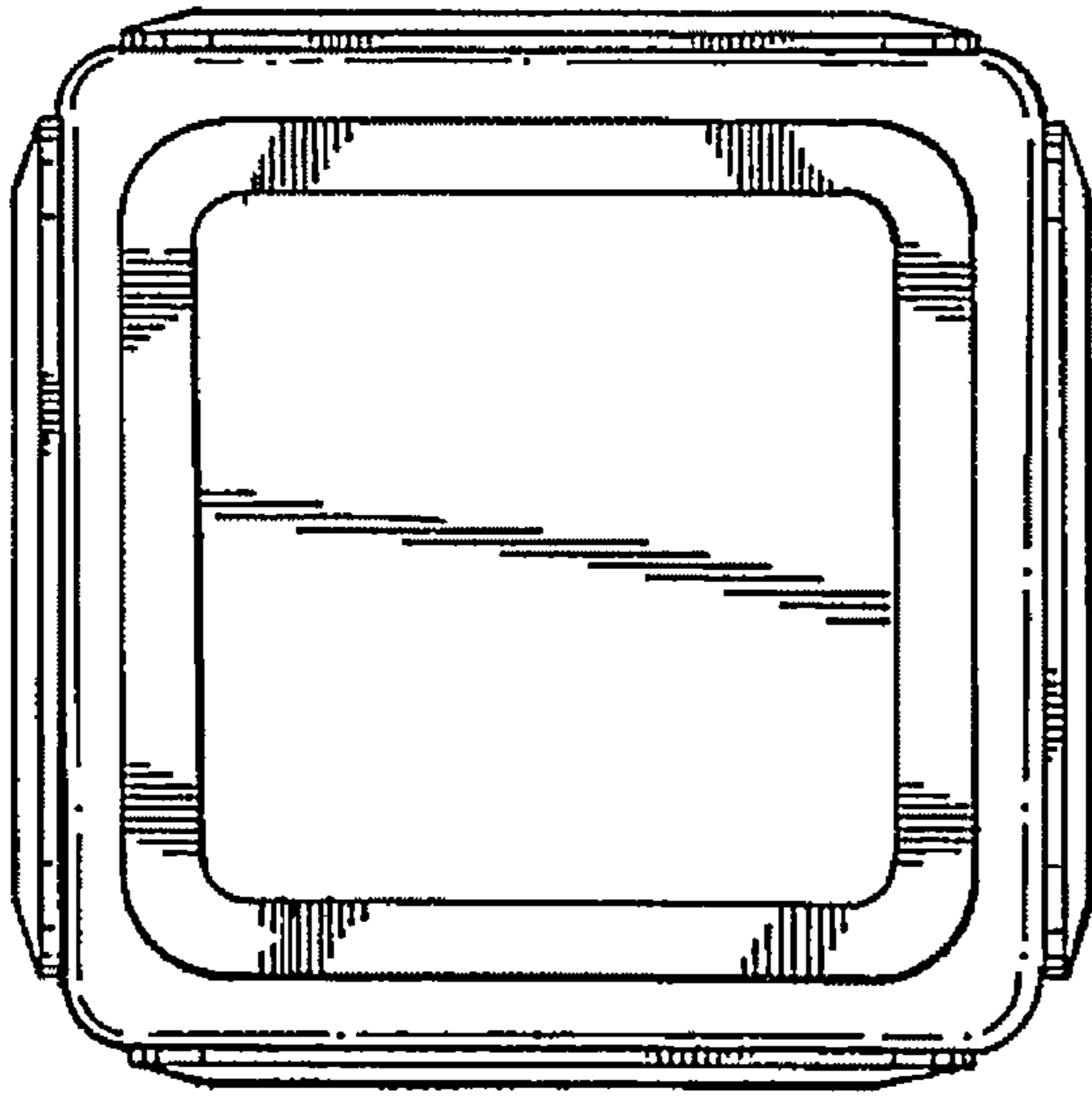




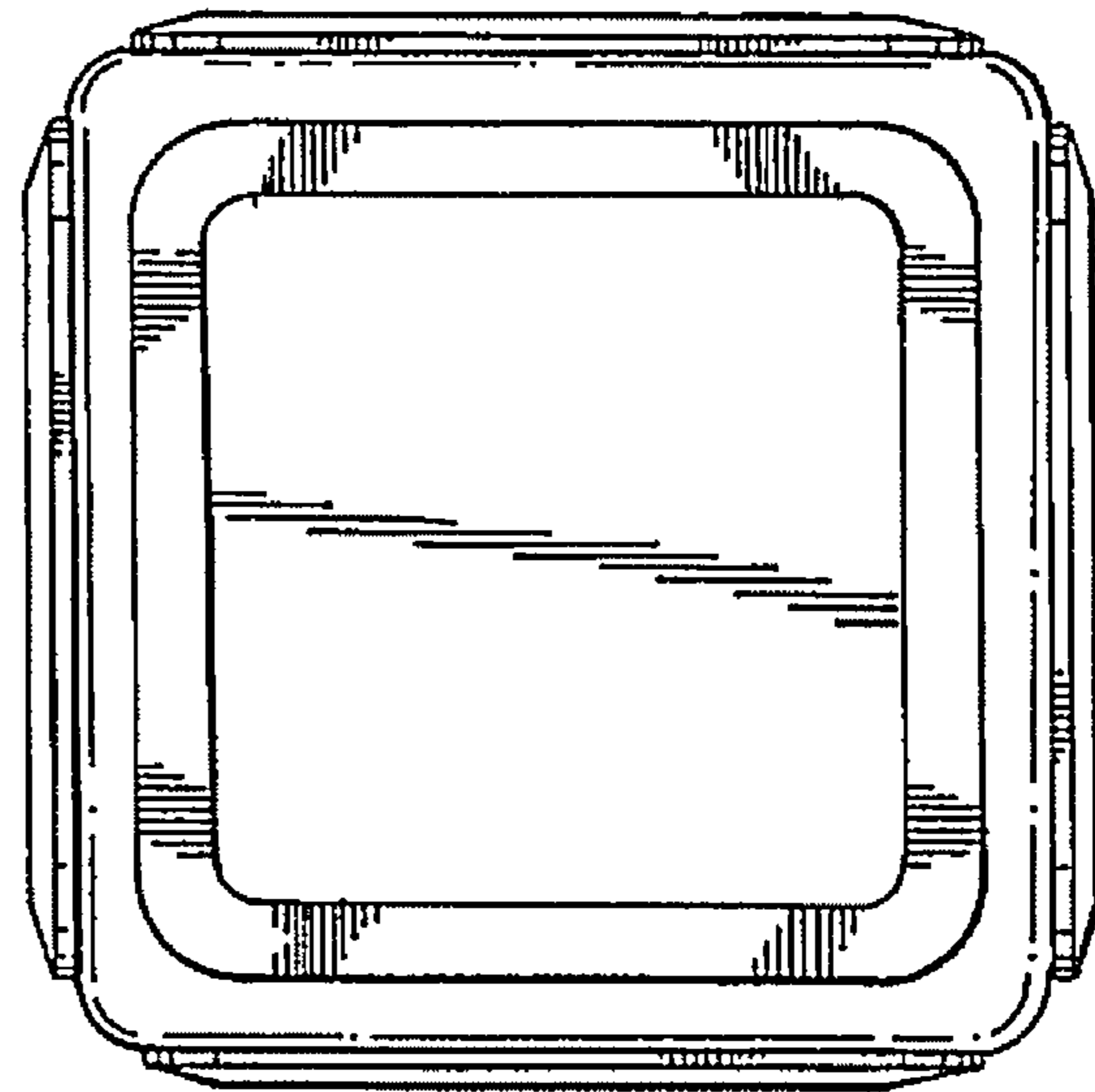
***Fig. 1***



***Fig. 2***



***Fig. 3***



***Fig. 4***