



US00D698868S

(12) **United States Design Patent**
Chan

(10) **Patent No.:** **US D698,868 S**

(45) **Date of Patent:** **** Feb. 4, 2014**

(54) **SCOOTER**

(75) Inventor: **Yui Chan**, Hong Kong (HK)

(73) Assignee: **Nicer Holdings Limited**, Hong Kong (HK)

(**) Term: **14 Years**

(21) Appl. No.: **29/429,176**

(22) Filed: **Aug. 8, 2012**

(51) **LOC (10) Cl.** **21-01**

(52) **U.S. Cl.**
USPC **D21/423**

(58) **Field of Classification Search**
USPC D21/419, 421, 423, 426, 769, 760, 765,
D21/771, 803; D12/1, 8; 280/14.21, 14.25,
280/14.26, 87.041, 87.042, 263, 288.1,
280/288.2, 288.4, 200, 214, 809; 180/180,
180/181

See application file for complete search history.

(56) **References Cited**

U.S. PATENT DOCUMENTS

D460,788 S *	7/2002	Kwok	D21/423
D475,093 S *	5/2003	Furter et al.	D21/423
D564,037 S *	3/2008	Cramer et al.	D21/423
D654,965 S *	2/2012	Herlitz et al.	D21/423
D672,400 S *	12/2012	Pizzi	D21/423
2012/0018967 A1 *	1/2012	Chen	280/87.041

* cited by examiner

Primary Examiner — Cynthia M Chin

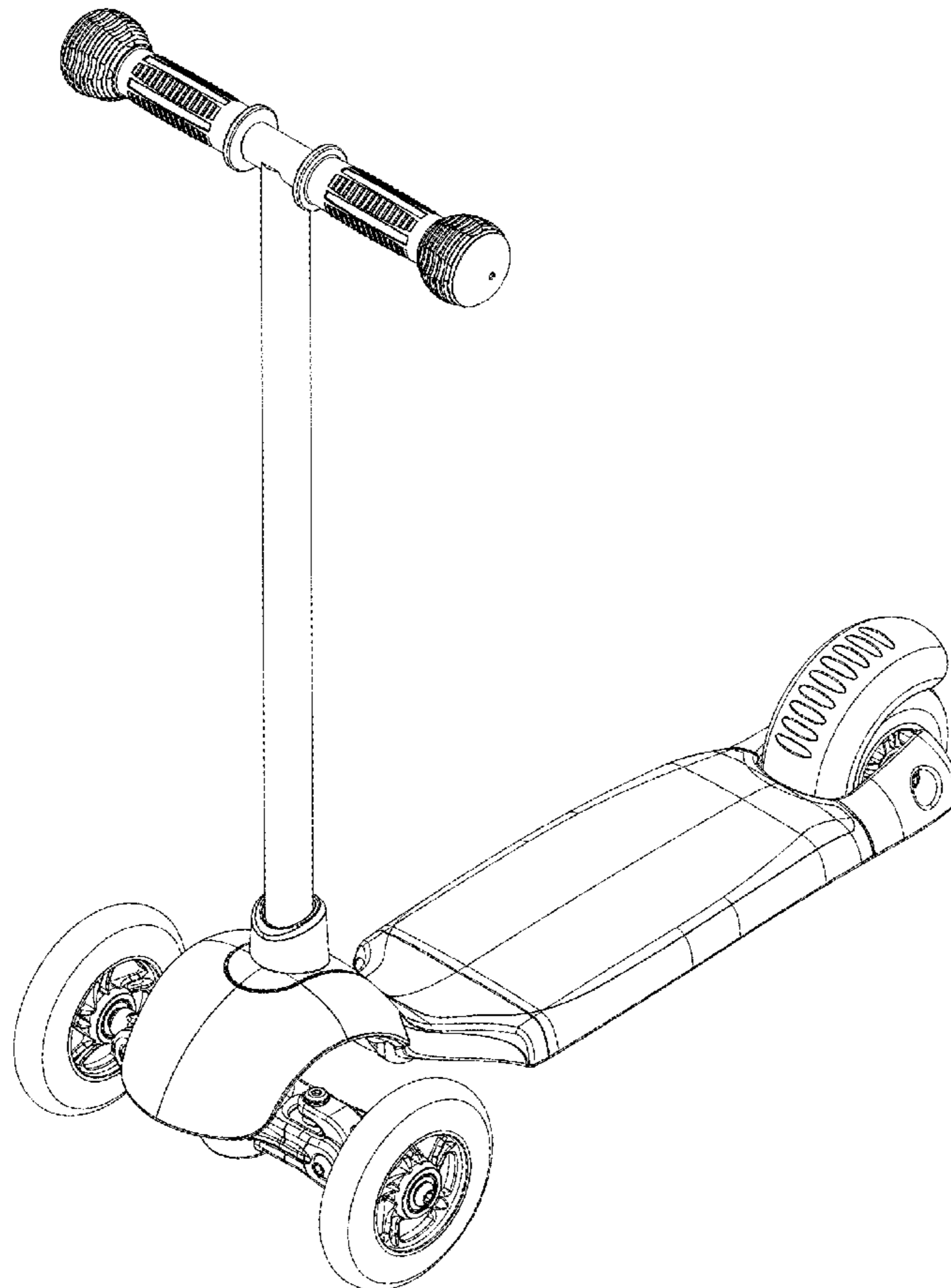
(57) **CLAIM**

The ornamental design for a scooter, as shown and described.

DESCRIPTION

FIG. 1 is a front view of a scooter of my new design;
FIG. 2 is a rear view of the scooter thereof;
FIG. 3 is a right view of the scooter thereof;
FIG. 4 is a left view of the scooter thereof;
FIG. 5 is a top view of the scooter thereof; and,
FIG. 6 is a perspective view of the scooter thereof.
The broken lines represent portions of the article that form no part of the claim.

1 Claim, 6 Drawing Sheets



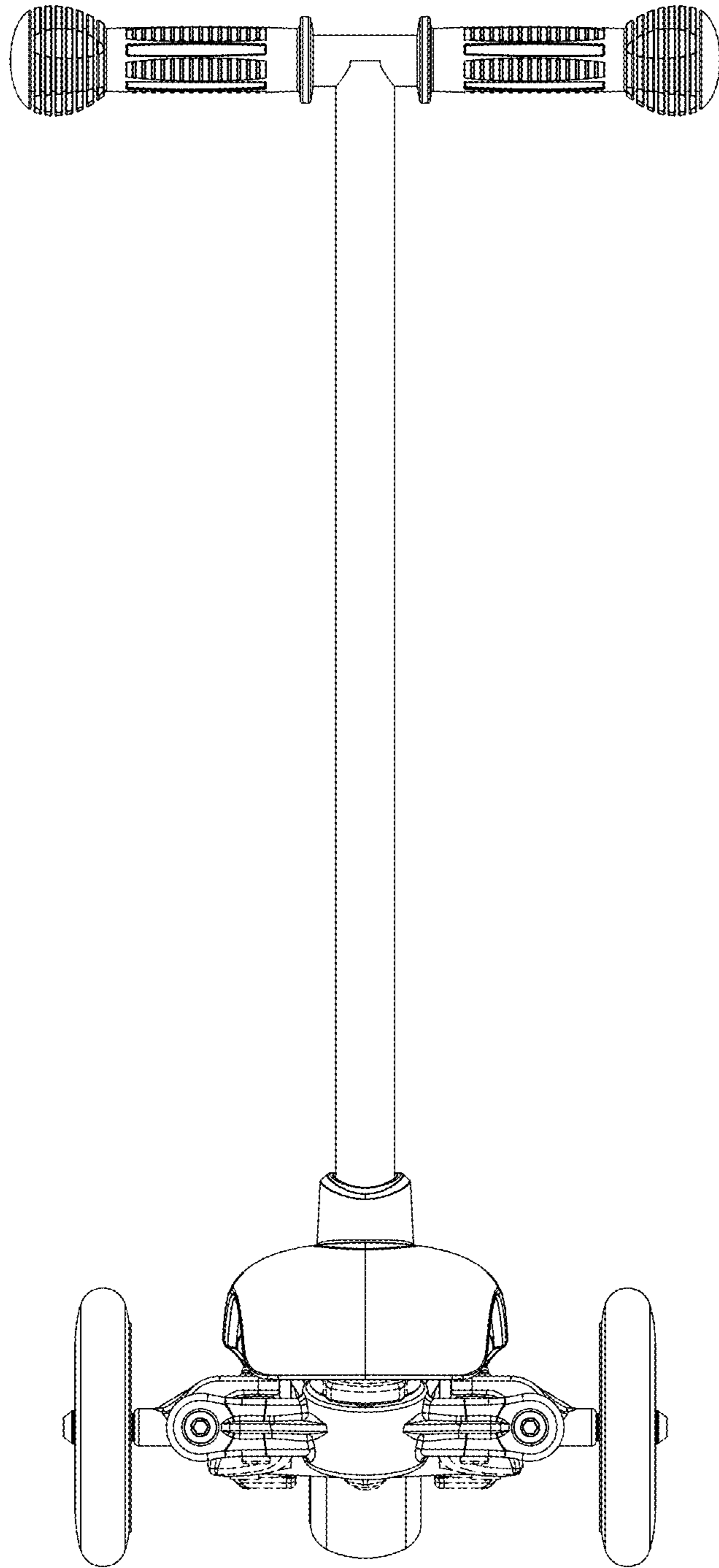


Fig. 1

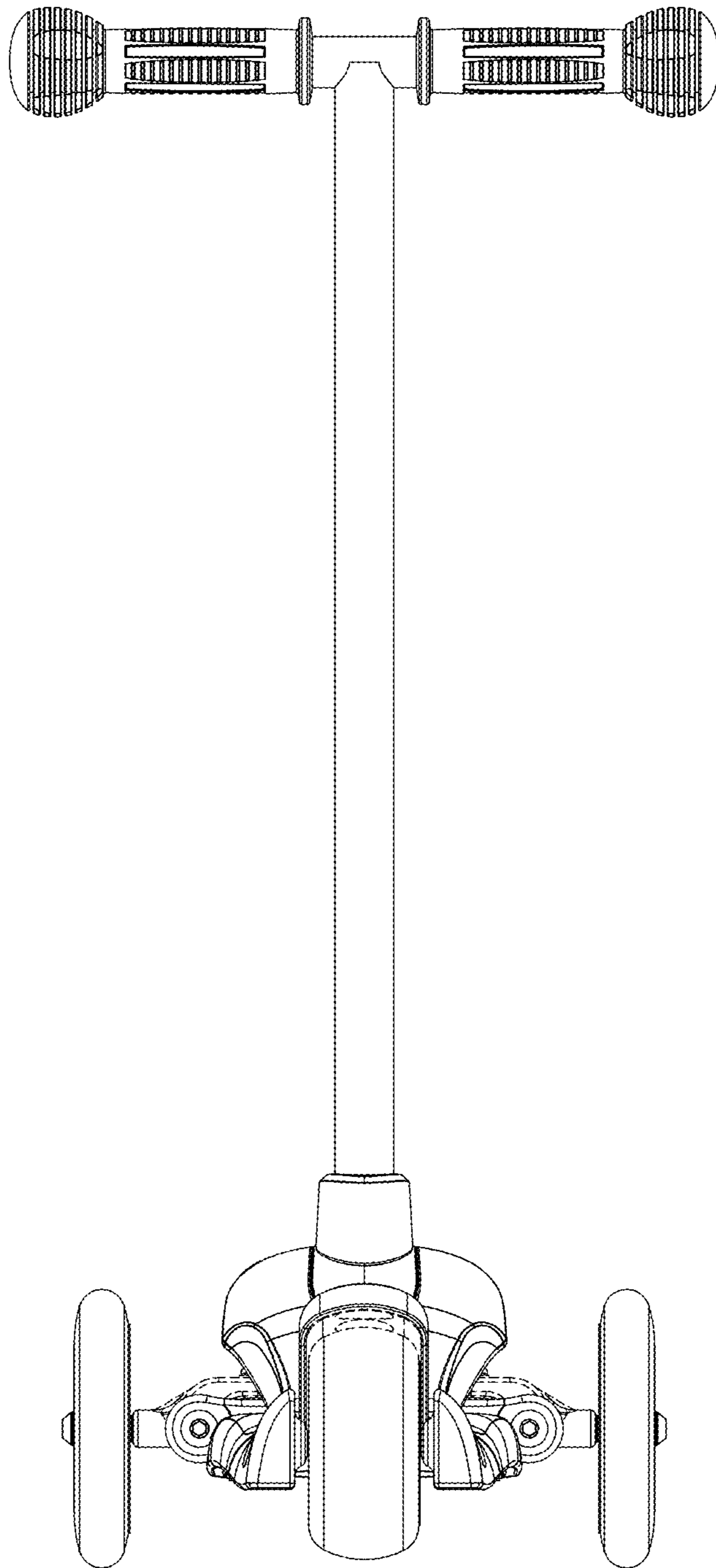


Fig. 2

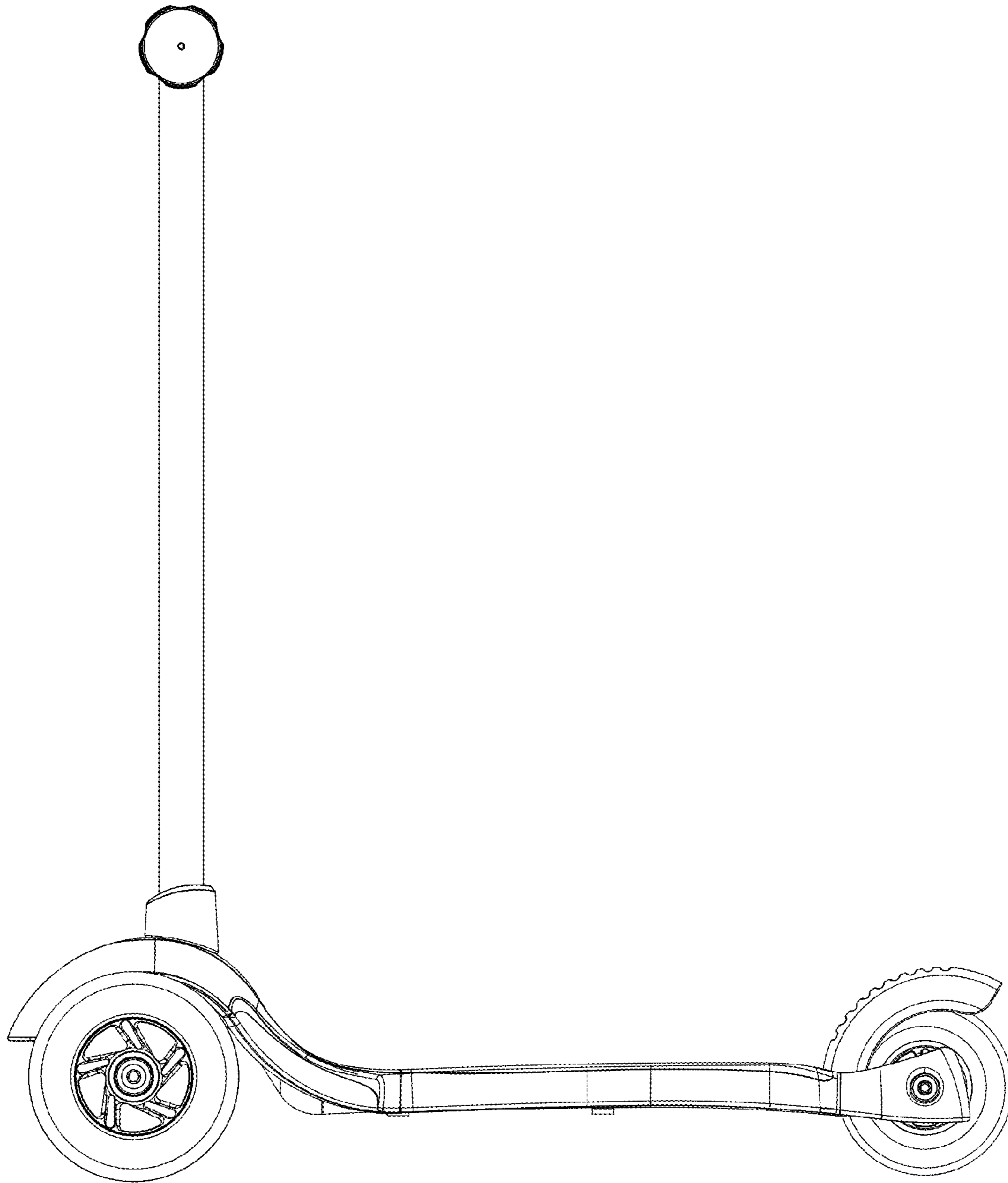


Fig. 3

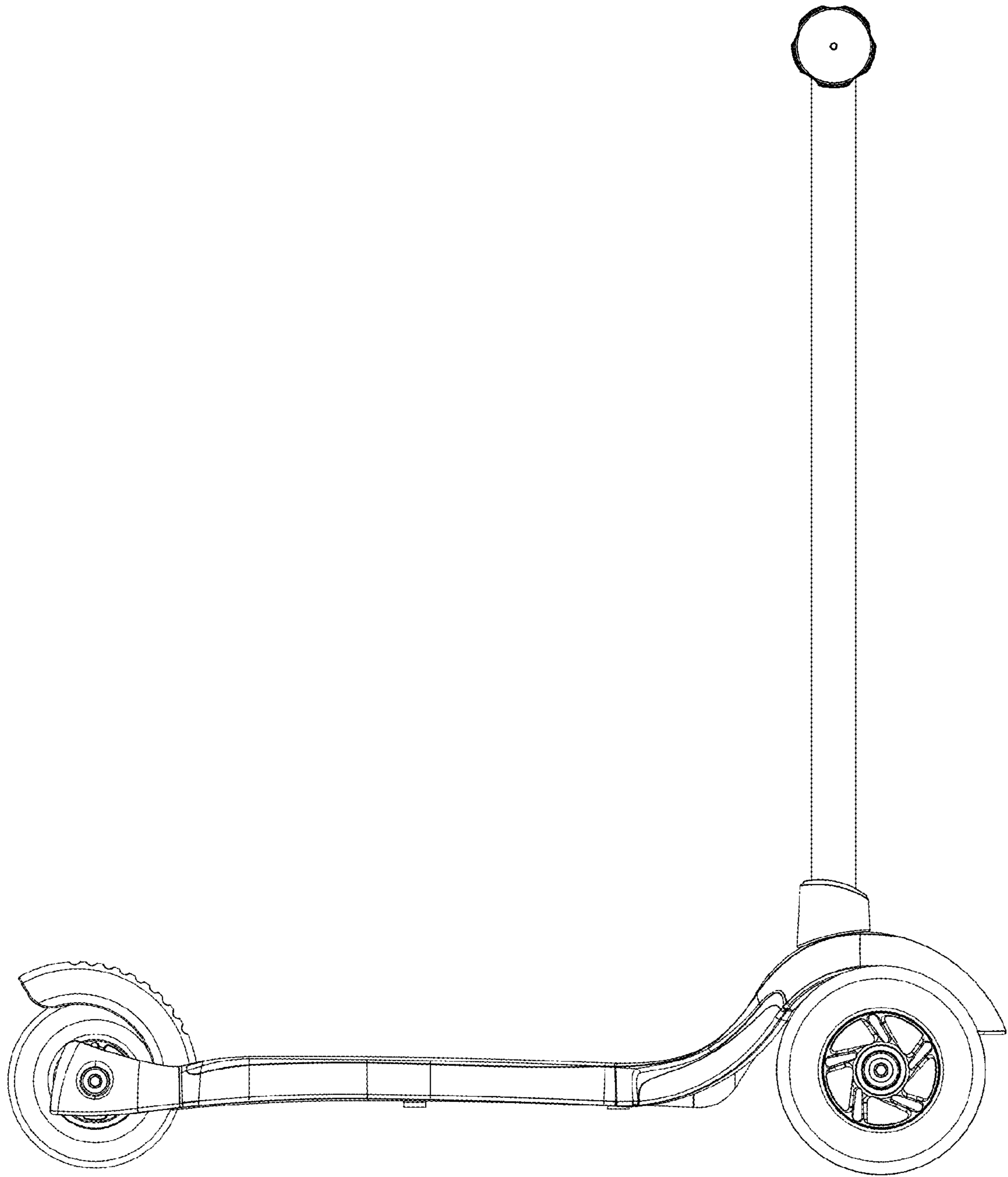


Fig. 4

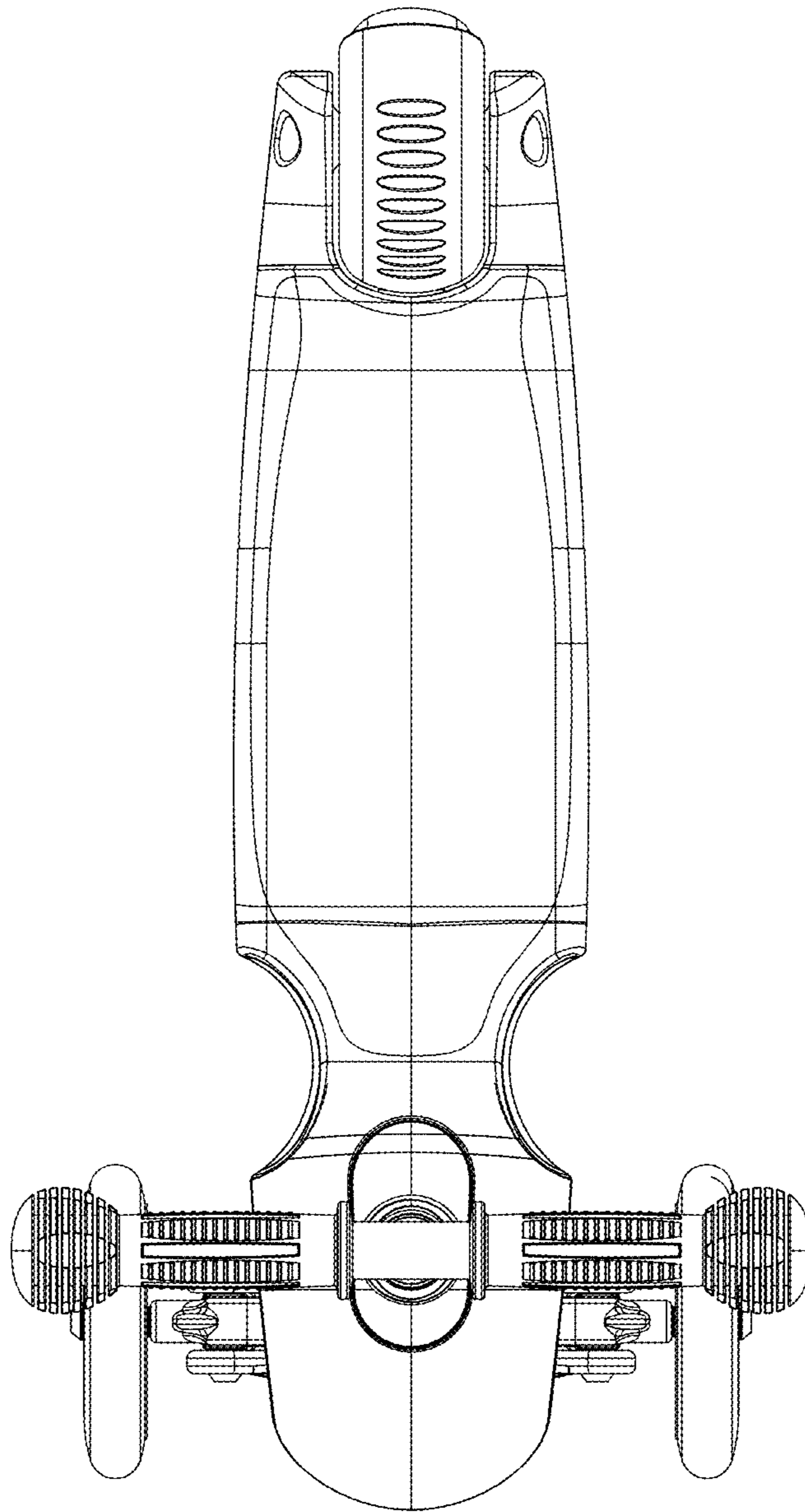


Fig. 5

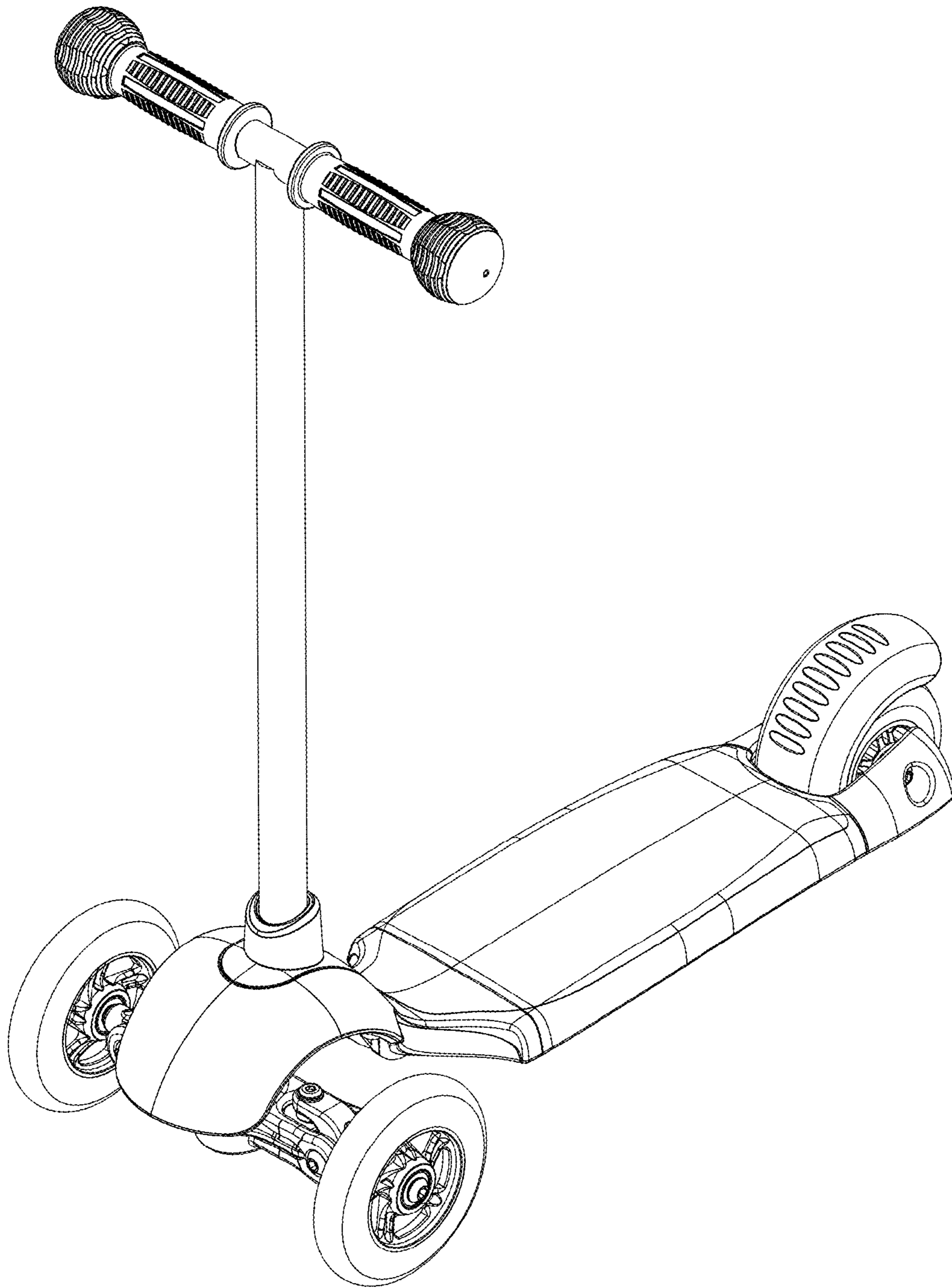


Fig. 6