



US00D698866S

(12) **United States Design Patent**  
**Abdullah**

(10) **Patent No.:** **US D698,866 S**

(45) **Date of Patent:** **\*\* Feb. 4, 2014**

(54) **MULTI-COMPARTMENT CONTAINER**

(76) Inventor: **Adel M. A. Abdullah**, Al-Romitheya  
(KW)

(\*\*) Term: **14 Years**

(21) Appl. No.: **29/425,858**

(22) Filed: **Jun. 27, 2012**

(51) **LOC (10) Cl.** ..... **19-02**

(52) **U.S. Cl.**  
USPC ..... **D19/77**

(58) **Field of Classification Search**  
USPC ..... D3/273; D7/549, 596, 597, 600.1-701,  
D7/614, 629, 630, 706, 707; D9/424, 428,  
D9/437, 756, 761; D19/75-85; 206/371,  
206/528; 220/23.4

See application file for complete search history.

(56) **References Cited**

**U.S. PATENT DOCUMENTS**

D94,099 S *	12/1934	Scurlock	.....	D7/614
2,207,520 A *	7/1940	Rhody	.....	206/229
D156,860 S *	1/1950	Zaikaner	.....	D7/610
3,385,465 A *	5/1968	Bliss	.....	220/23.4
D212,109 S *	8/1968	Taylor	.....	D7/614
D223,056 S *	3/1972	Majewski	.....	D18/17
D280,965 S *	10/1985	Prophet et al.	.....	D7/614
4,990,345 A *	2/1991	Webb	.....	426/123
D367,291 S *	2/1996	Winston	.....	D18/17
D370,307 S *	5/1996	Chen	.....	
D384,554 S *	10/1997	Ancona et al.	.....	D7/505
D391,808 S *	3/1998	Voegel	.....	D7/629

D425,790 S *	5/2000	Rondolino	.....	D9/430
D439,161 S *	3/2001	Rondolino	.....	D9/430
D474,107 S *	5/2003	Osborne	.....	
D494,338 S *	8/2004	Baumhogger et al.	.....	D99/34
D546,062 S *	7/2007	Tate	.....	
D552,487 S *	10/2007	Chou	.....	D9/737
7,878,337 B2	2/2011	Abdullah	.....	
D637,903 S *	5/2011	Ghiotti et al.	.....	D9/428
D650,862 S *	12/2011	Chuang	.....	
D665,675 S *	8/2012	Wu	.....	D9/761
2007/0138048 A1	6/2007	Coe et al.	.....	

\* cited by examiner

*Primary Examiner* — Elizabeth Albert

(74) *Attorney, Agent, or Firm* — Richard C. Litman

(57) **CLAIM**

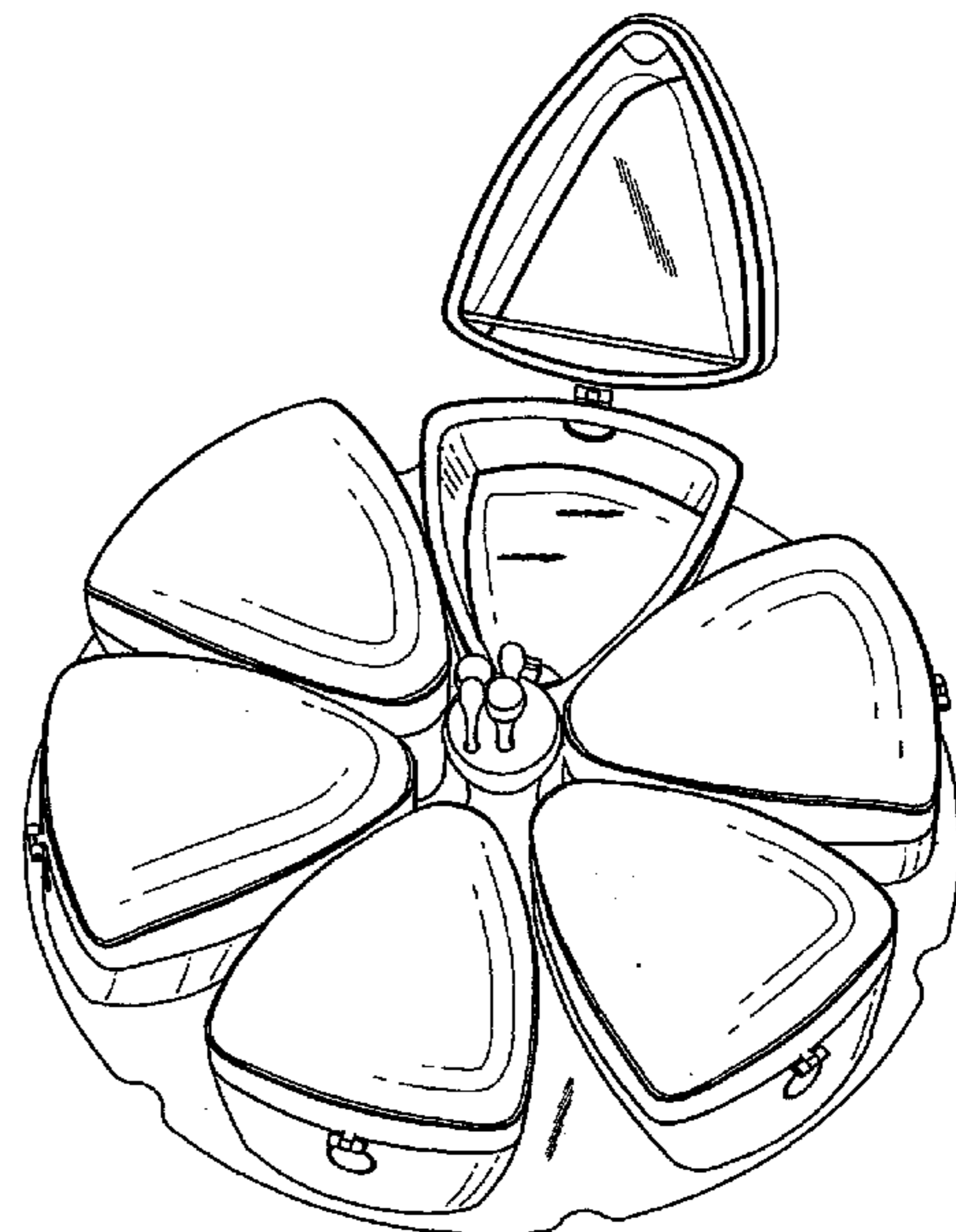
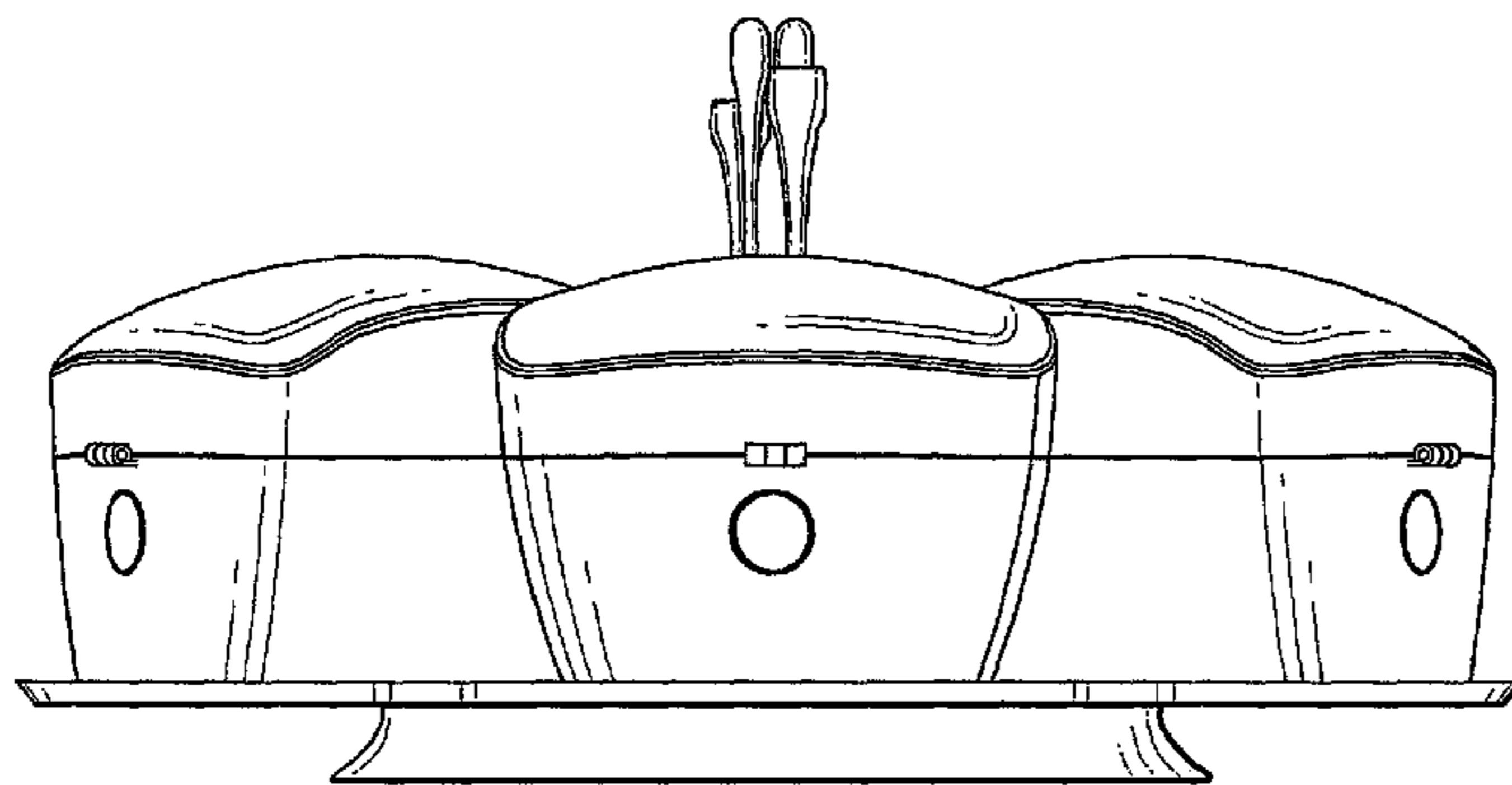
The ornamental design for a multi-compartment container, as shown and described.

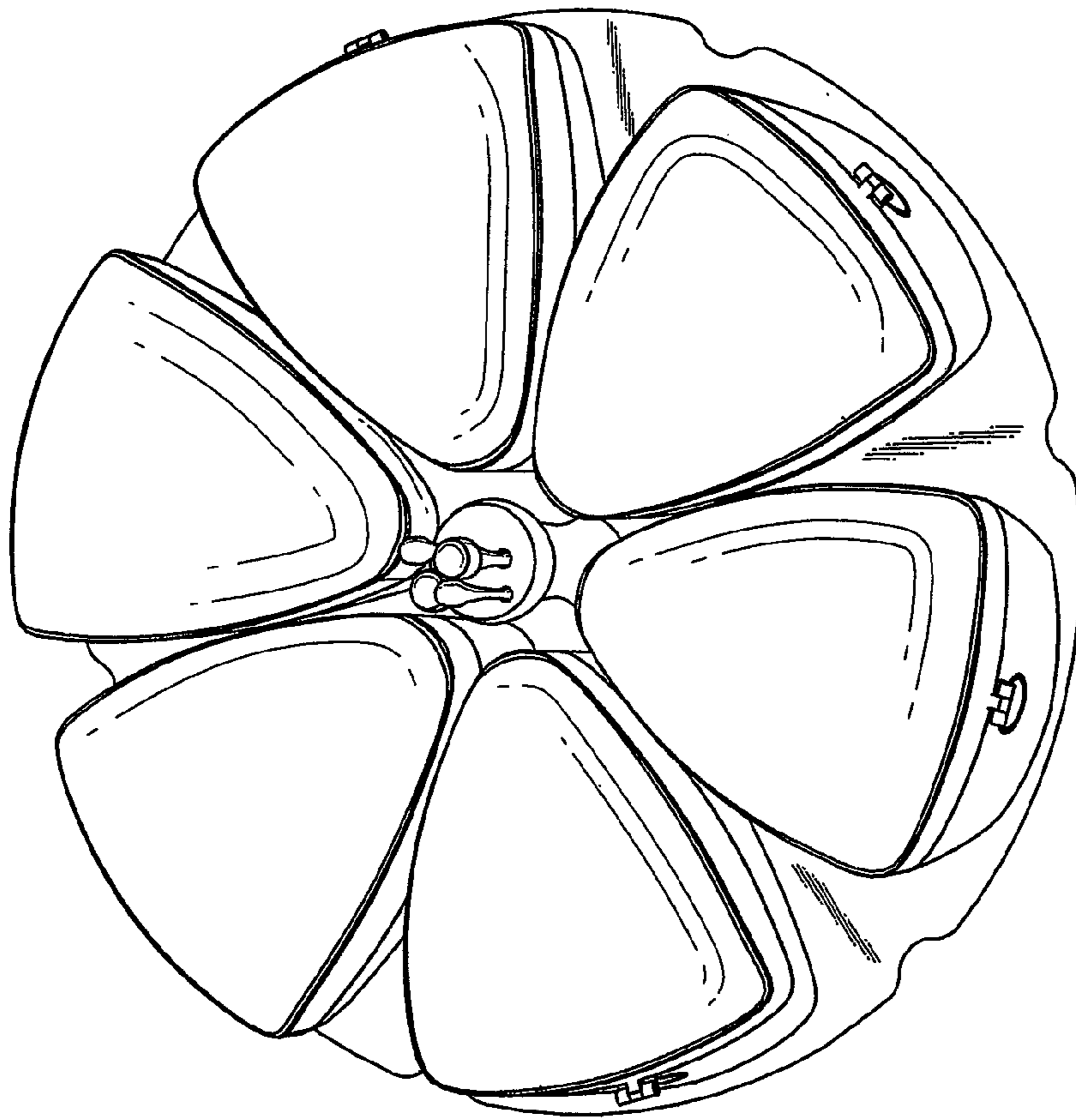
**DESCRIPTION**

FIG. 1 is a perspective view of a multi-compartment container showing my new design;  
FIG. 2 is a front elevational view, with the rear elevational view being a mirror image, thereof;  
FIG. 3 is a right side elevational view, with the left side being a mirror image, thereof;  
FIG. 4 is a top plan view thereof;  
FIG. 5 is a bottom view thereof; and,  
FIG. 6 is a perspective view with one of the compartments in the open position thereof.

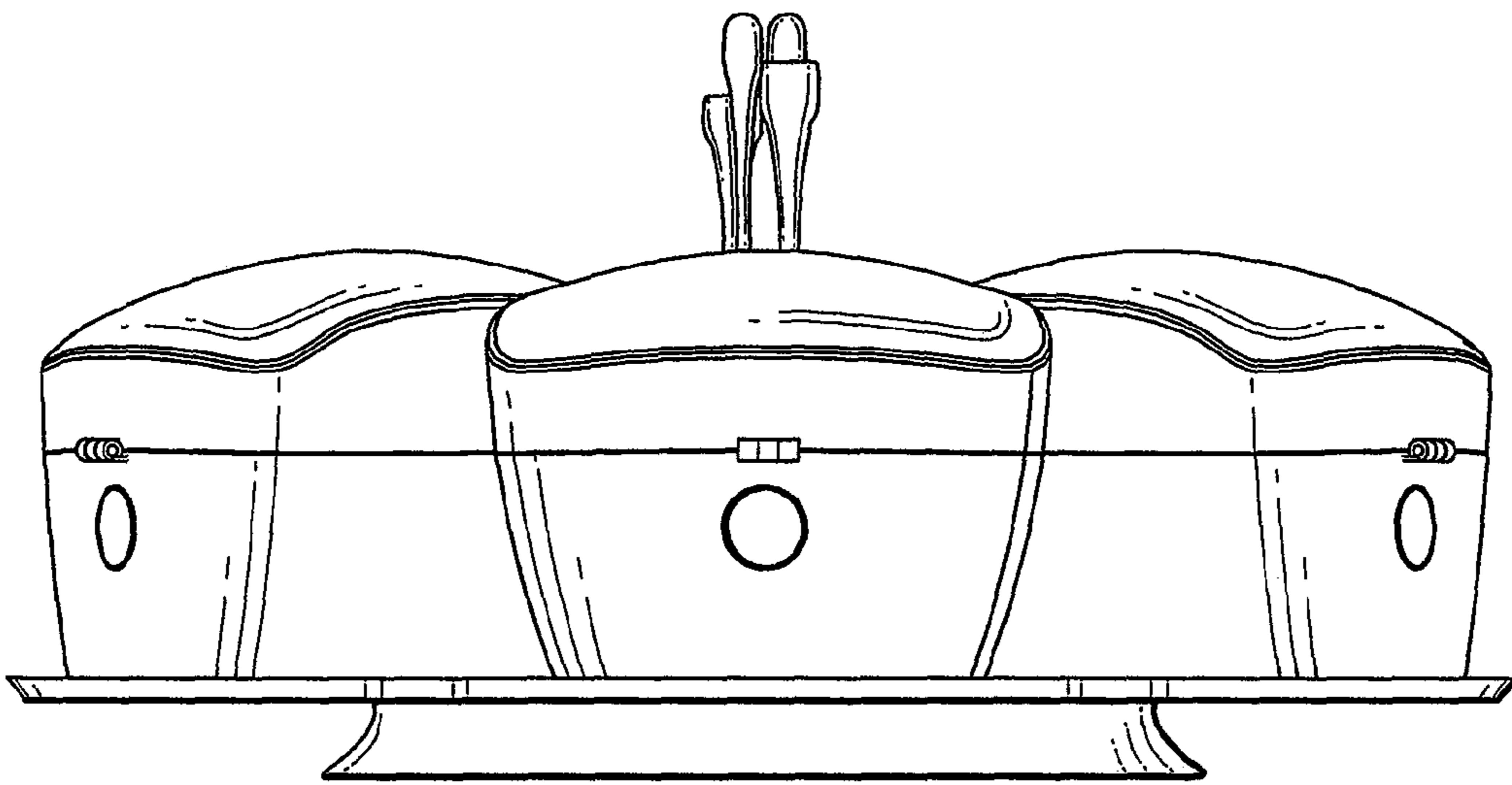
The broken lines on the bottom in FIG. 5 are included for the purpose of illustrating portions of the multi-compartment container that form no part of the claimed design.

**1 Claim, 6 Drawing Sheets**

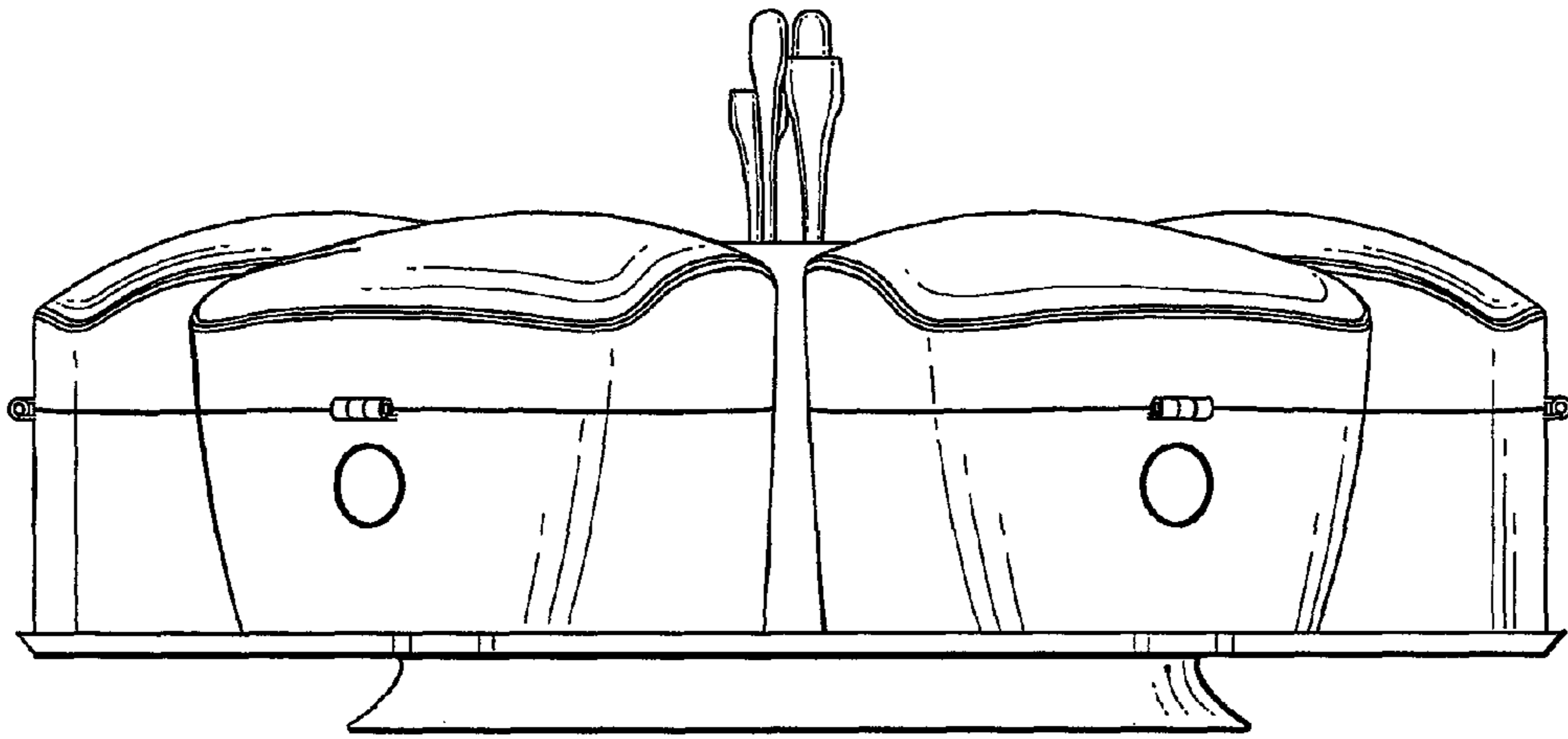




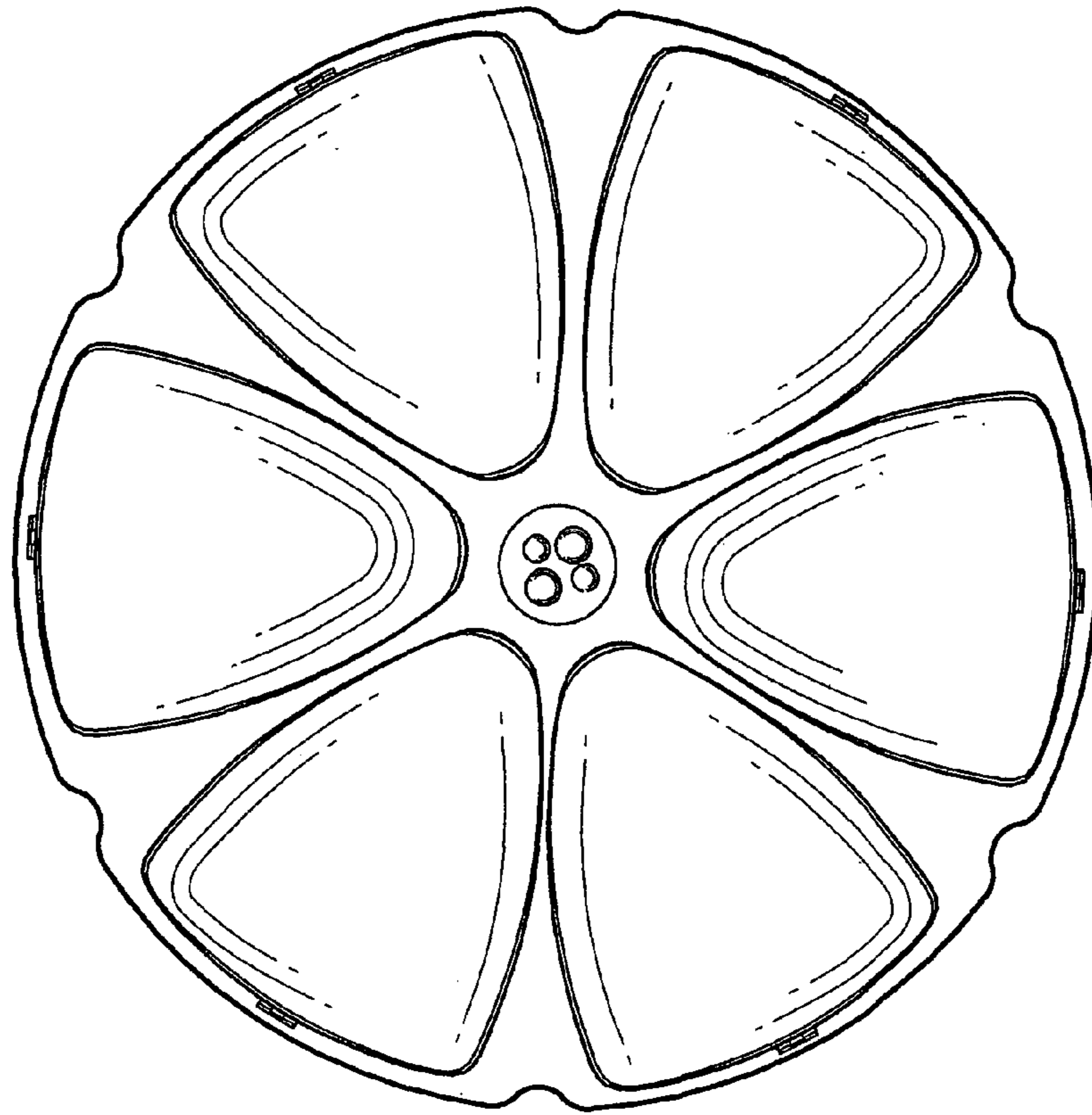
*Fig. 1*



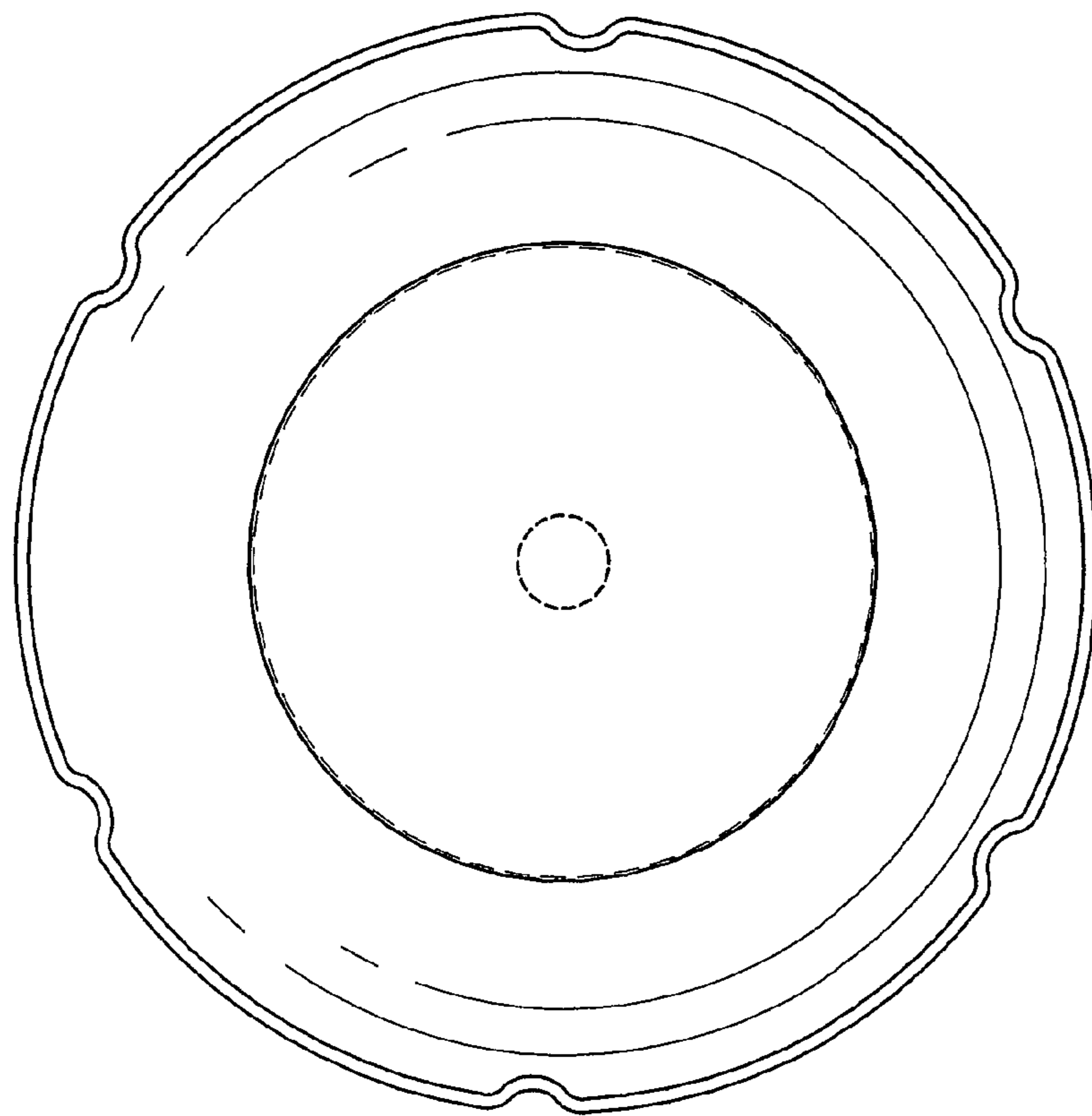
*Fig. 2*



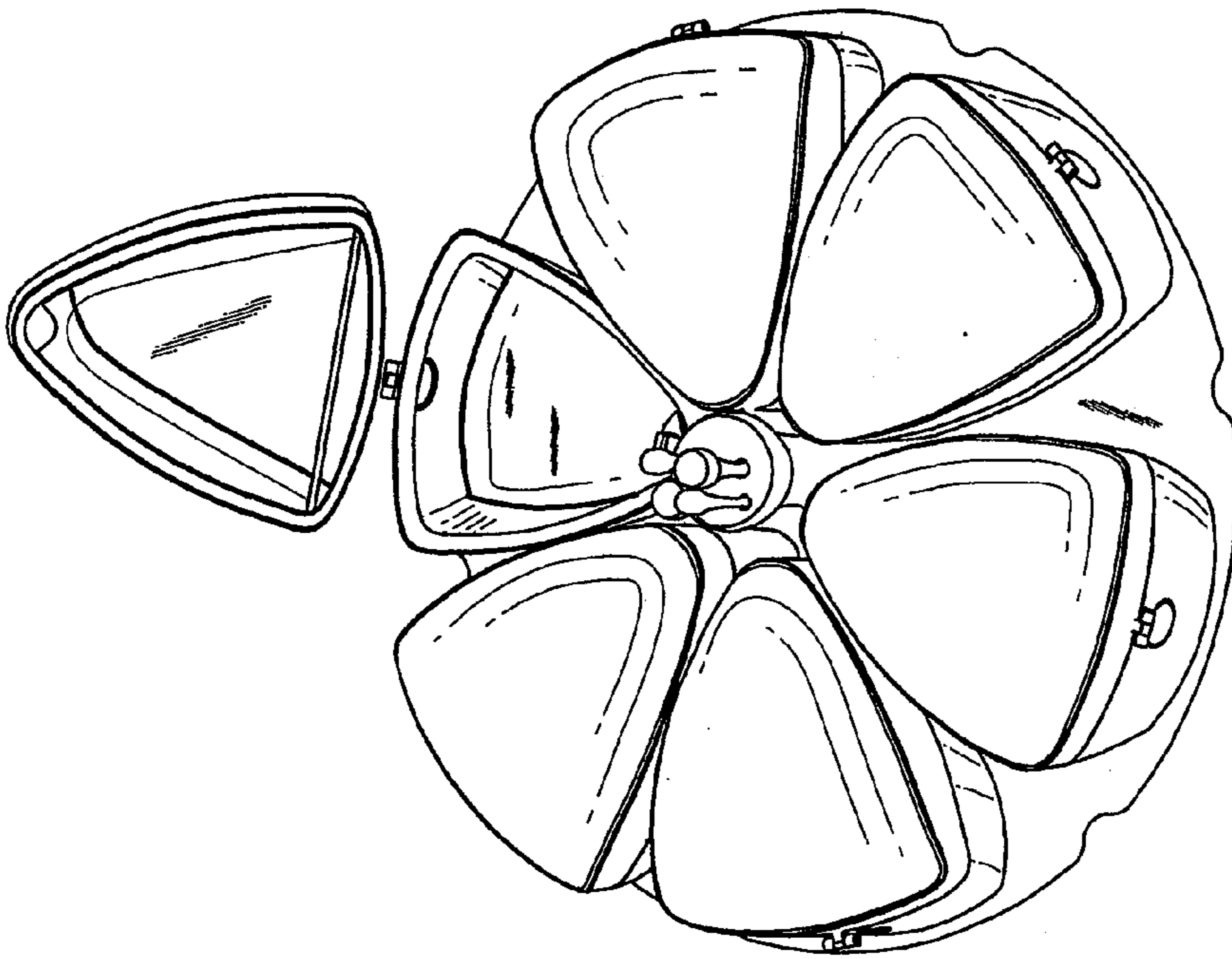
*Fig. 3*



*Fig. 4*



*Fig. 5*



*Fig. 6*