

US00D698862S

(12) **United States Design Patent**
Nanno et al.

(10) **Patent No.:** **US D698,862 S**
(45) **Date of Patent:** **** Feb. 4, 2014**

(54) **PRINTER**

(75) Inventors: **Tomoyuki Nanno**, Nagoya (JP); **Jiro Suzuki**, Nagoya (JP)

(73) Assignee: **Brother Industries, Ltd.**, Nagoya (JP)

(**) Term: **14 Years**

(21) Appl. No.: **29/416,919**

(22) Filed: **Mar. 28, 2012**

(30) **Foreign Application Priority Data**

Oct. 24, 2011 (JP) 2011-24324

(51) **LOC (10) Cl.** **14-02**

(52) **U.S. Cl.**
USPC **D18/55**

(58) **Field of Classification Search**
USPC D18/36-38, 50, 54-54.1, 55;
D14/420-425, 462-470, 613,
D14/613.1-613.4, 690.1-690.4, 691-694
See application file for complete search history.

(56) **References Cited**

U.S. PATENT DOCUMENTS

D535,325 S * 1/2007 Yamaguchi D18/55
D617,829 S * 6/2010 Suzuki et al. D18/55
D633,557 S 3/2011 Egami et al.

D633,558 S 3/2011 Egami et al.
D643,058 S * 8/2011 Seki et al. D18/55
D653,703 S * 2/2012 Seki et al. D18/55
2007/0014620 A1* 1/2007 Sugimoto 400/691

FOREIGN PATENT DOCUMENTS

JP S-D1348700 9/2010

* cited by examiner

Primary Examiner — Cathy A MacCormac

(74) *Attorney, Agent, or Firm* — Oliff & Berridge, PLC

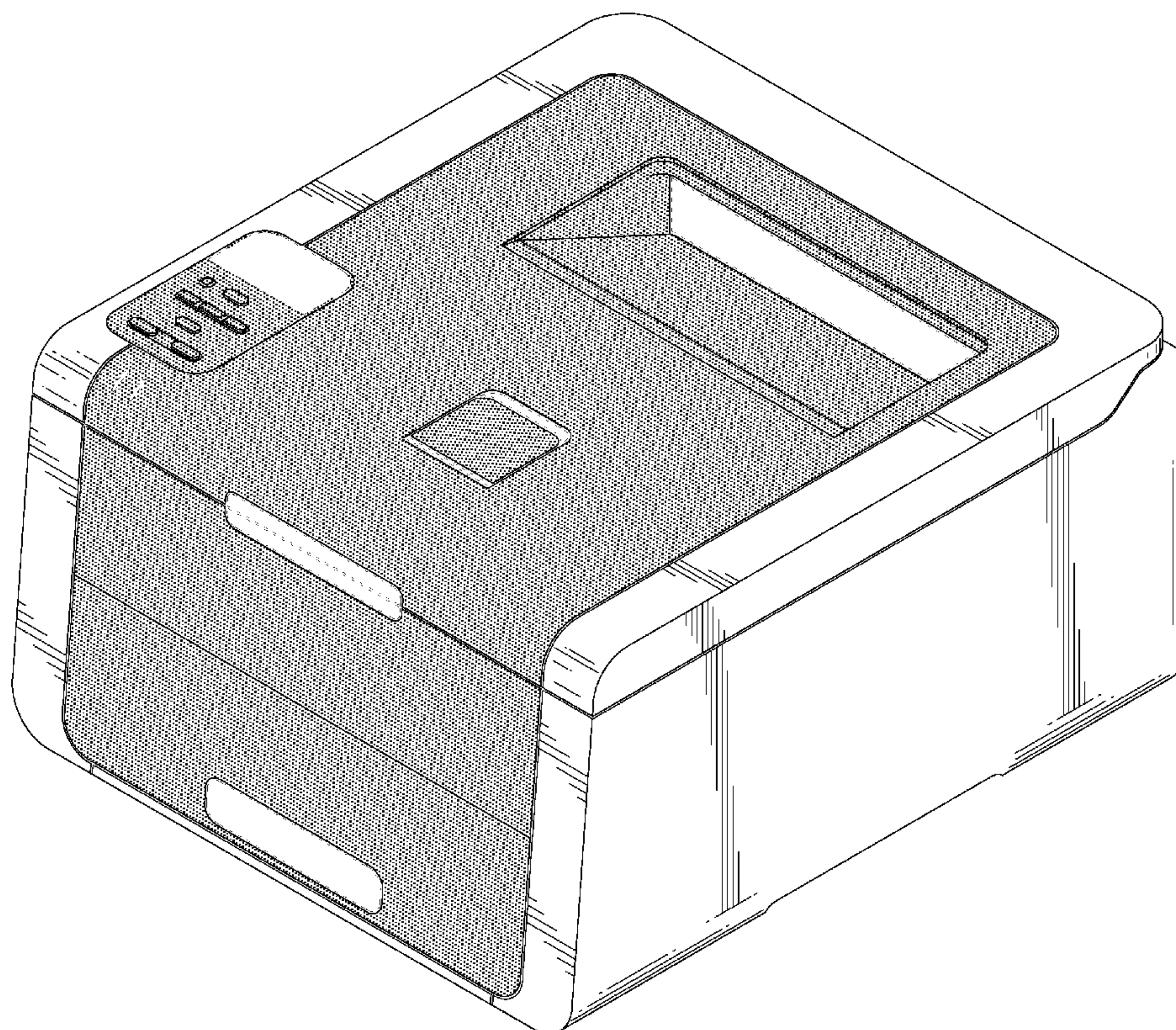
(57) **CLAIM**

The ornamental design for a printer, as shown and described.

DESCRIPTION

FIG. 1 is a perspective view of a printer;
FIG. 2 is a front view thereof;
FIG. 3 is a top view thereof;
FIG. 4 is a right-side view thereof;
FIG. 5 is a left-side view thereof;
FIG. 6 is a rear view thereof; and,
FIG. 7 is a bottom view thereof.
The stippling shows a contrast in appearance. The stippled shading is part of the claimed design.
The broken lines depict unclaimed portions only and form no part of the claimed design.

1 Claim, 7 Drawing Sheets



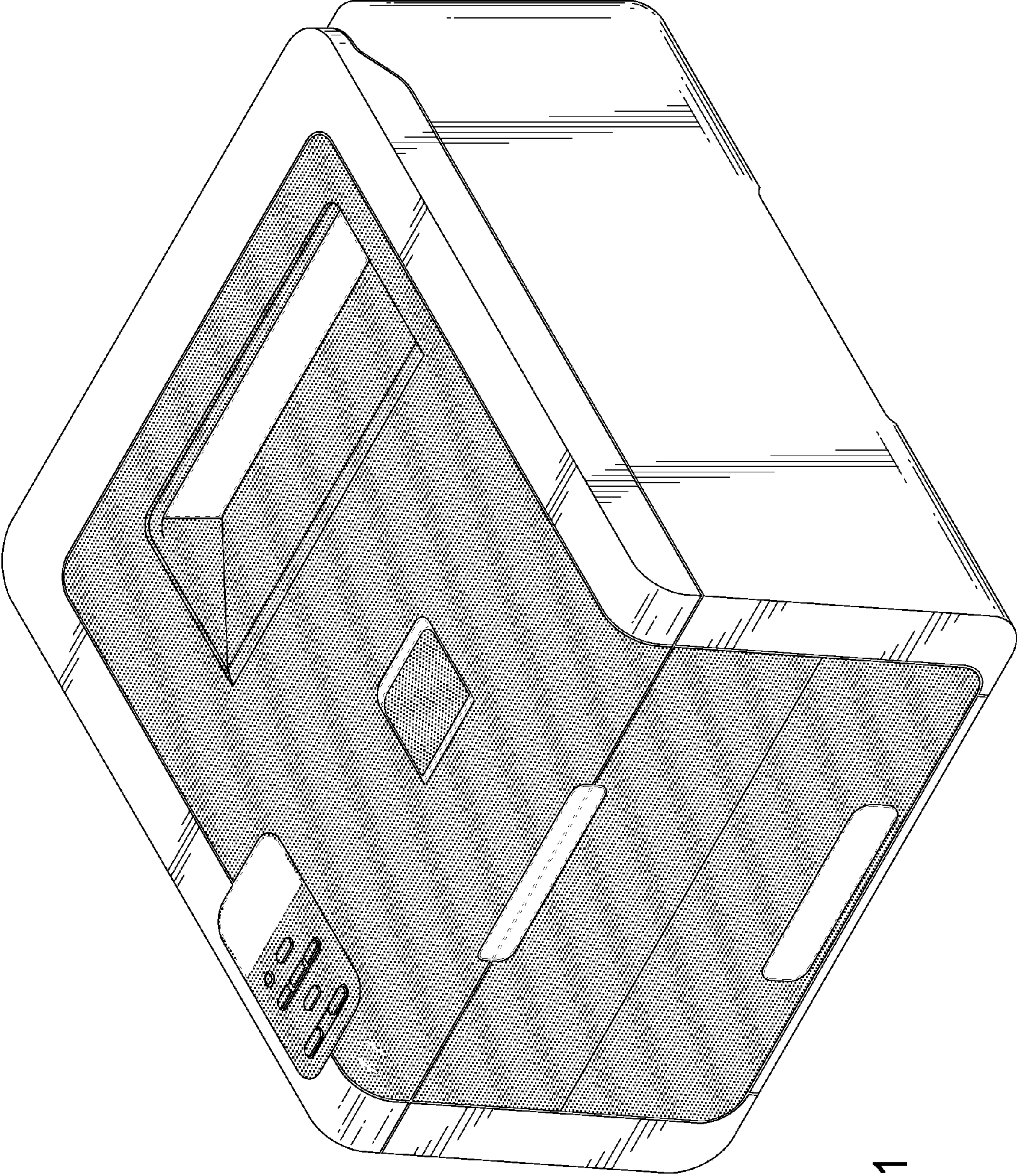


FIG. 1

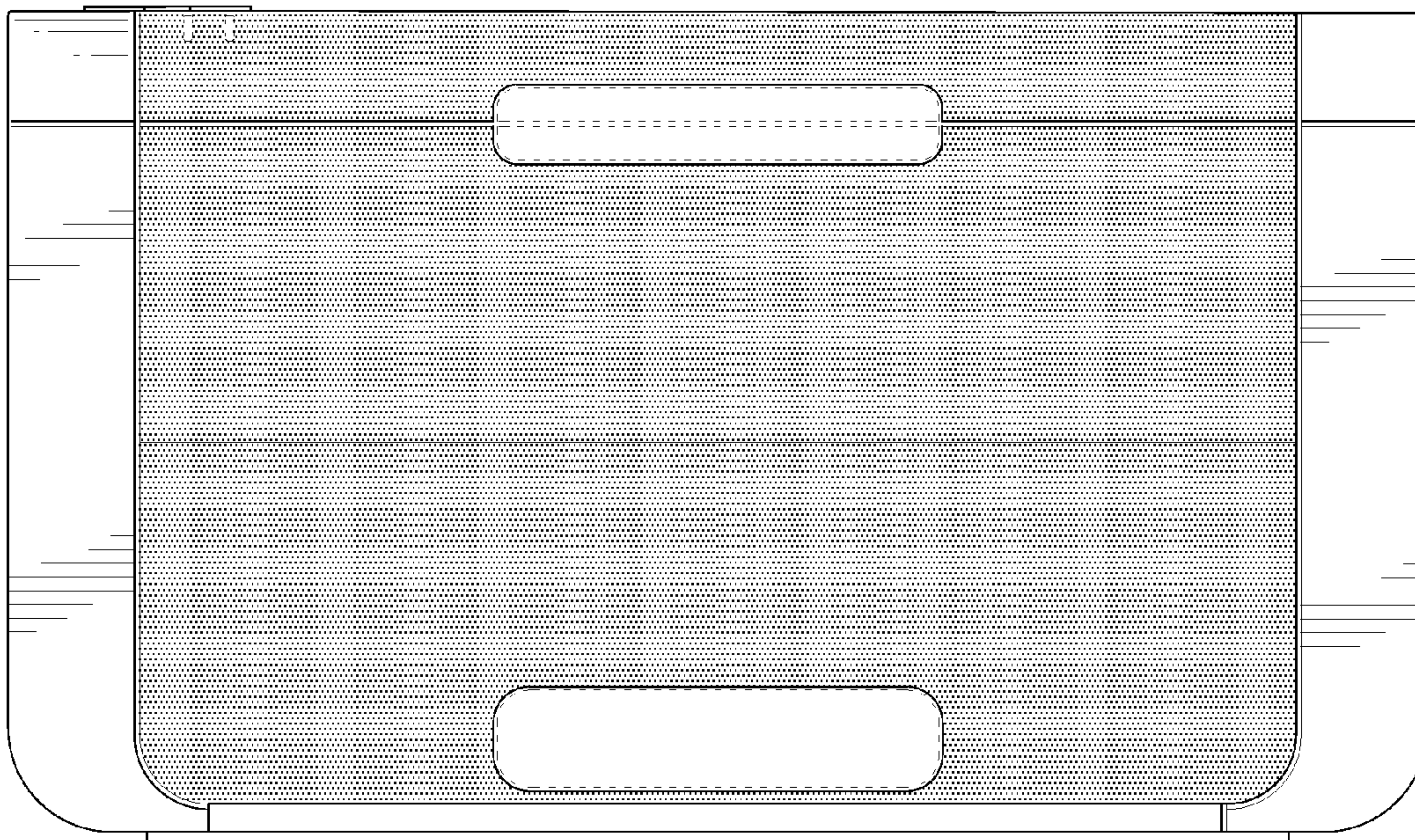


FIG. 2

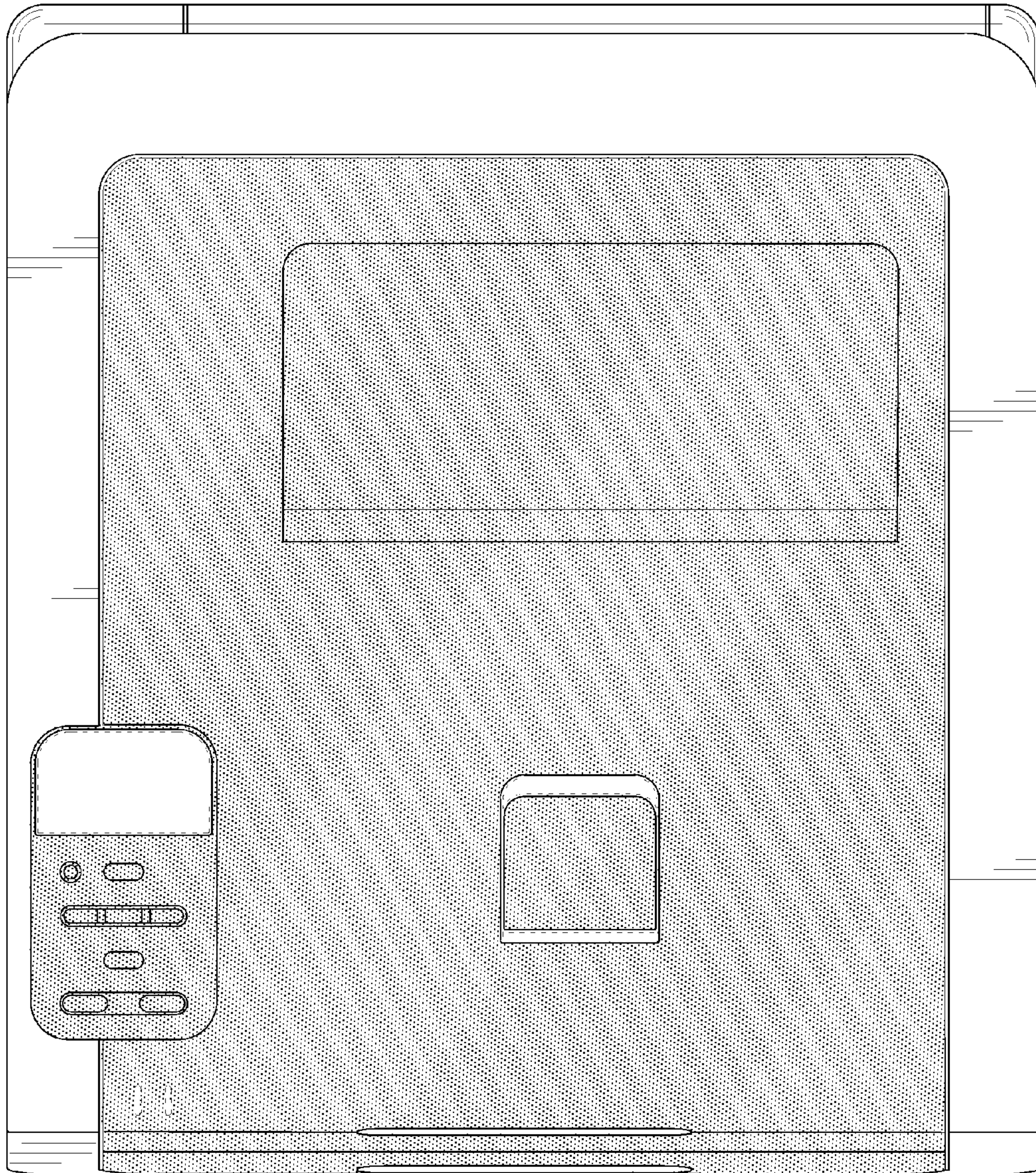


FIG. 3

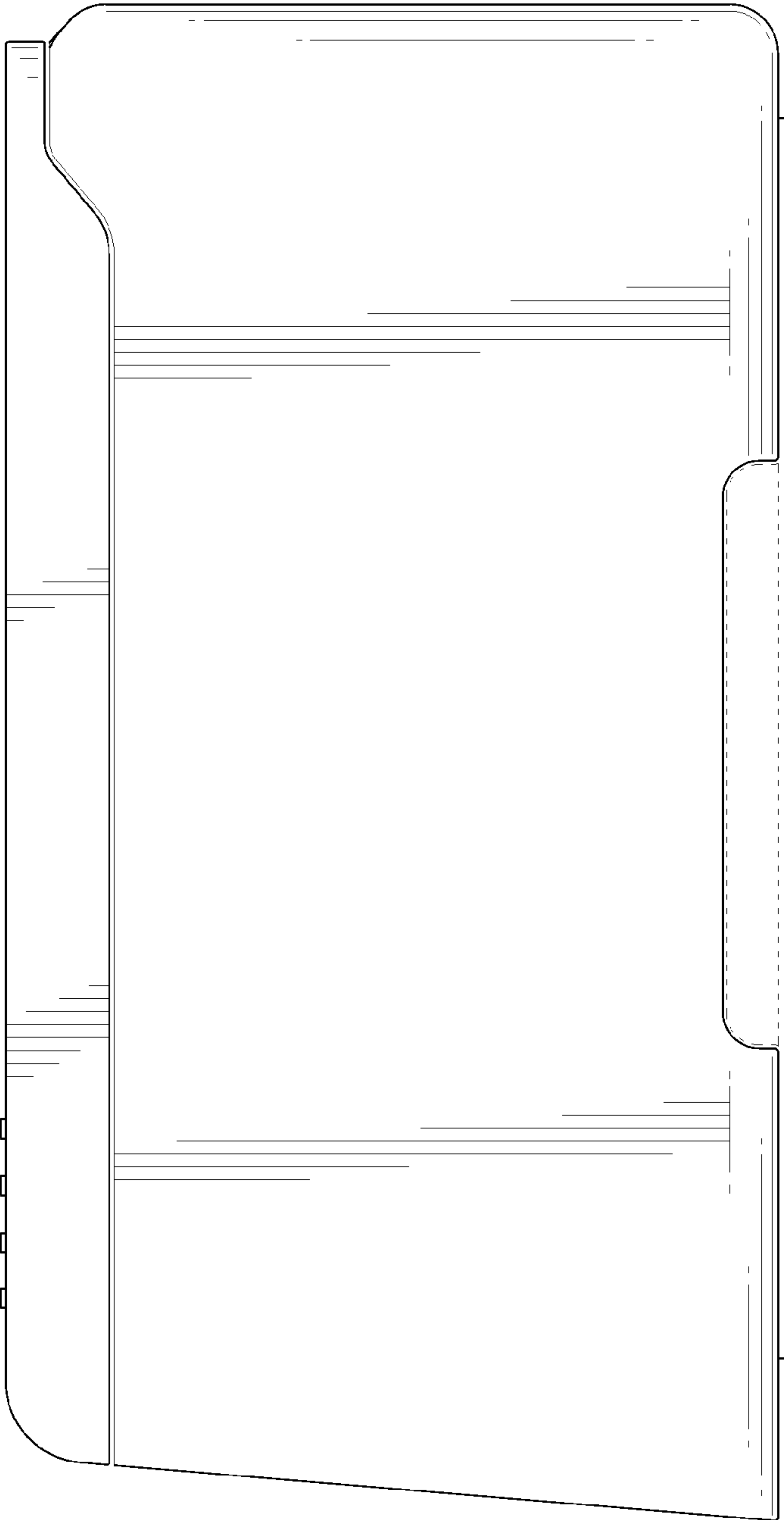


FIG. 4

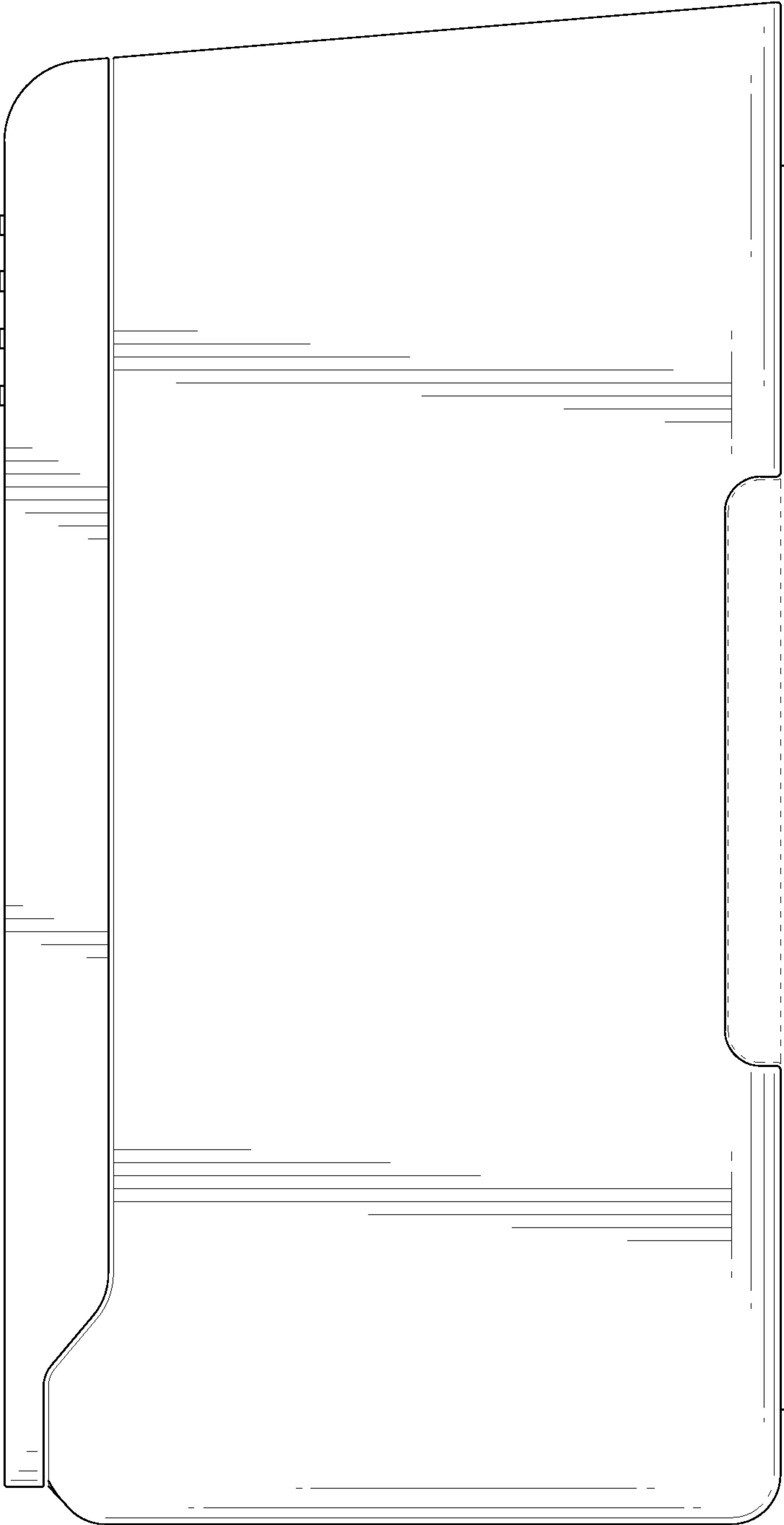


FIG. 5

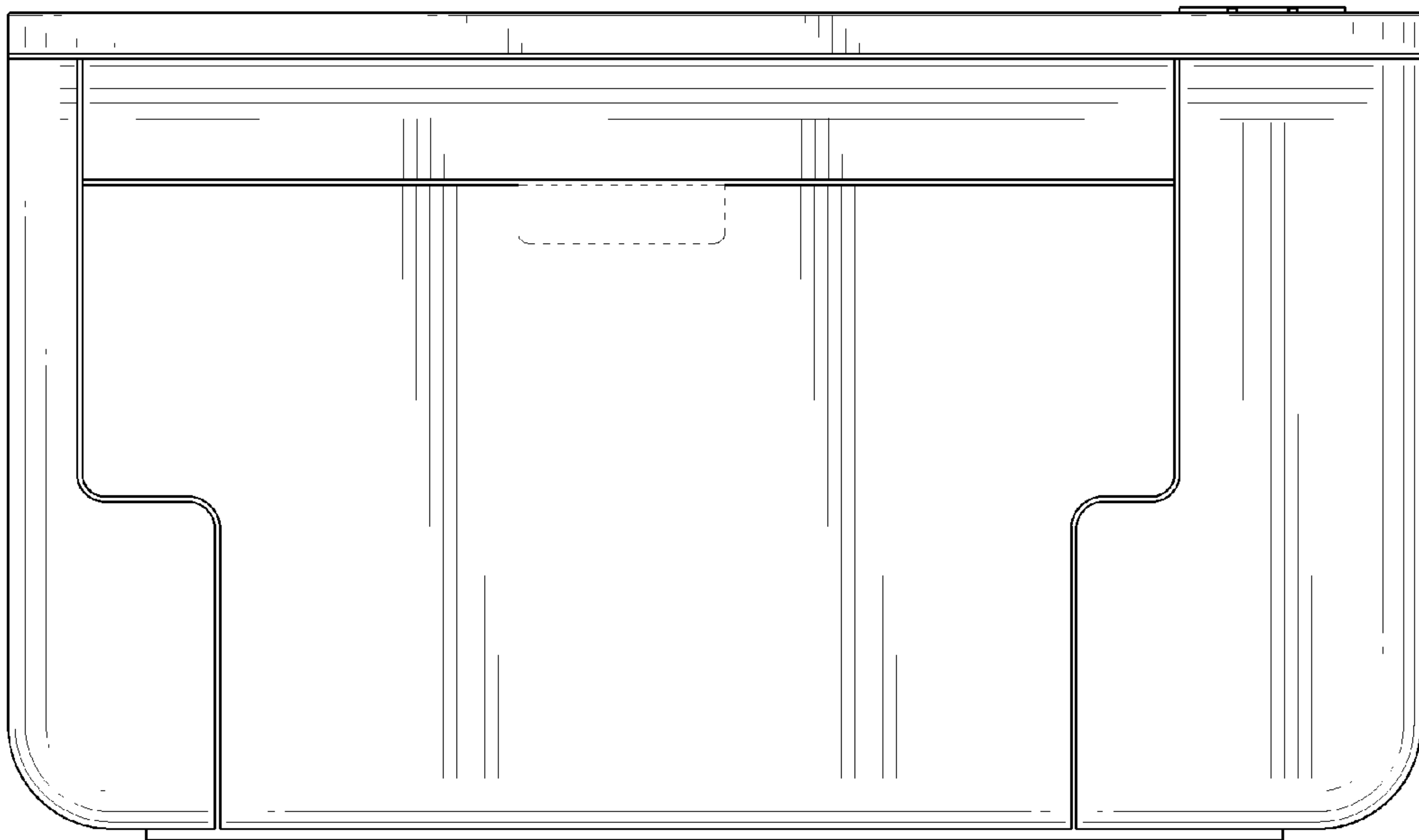


FIG. 6

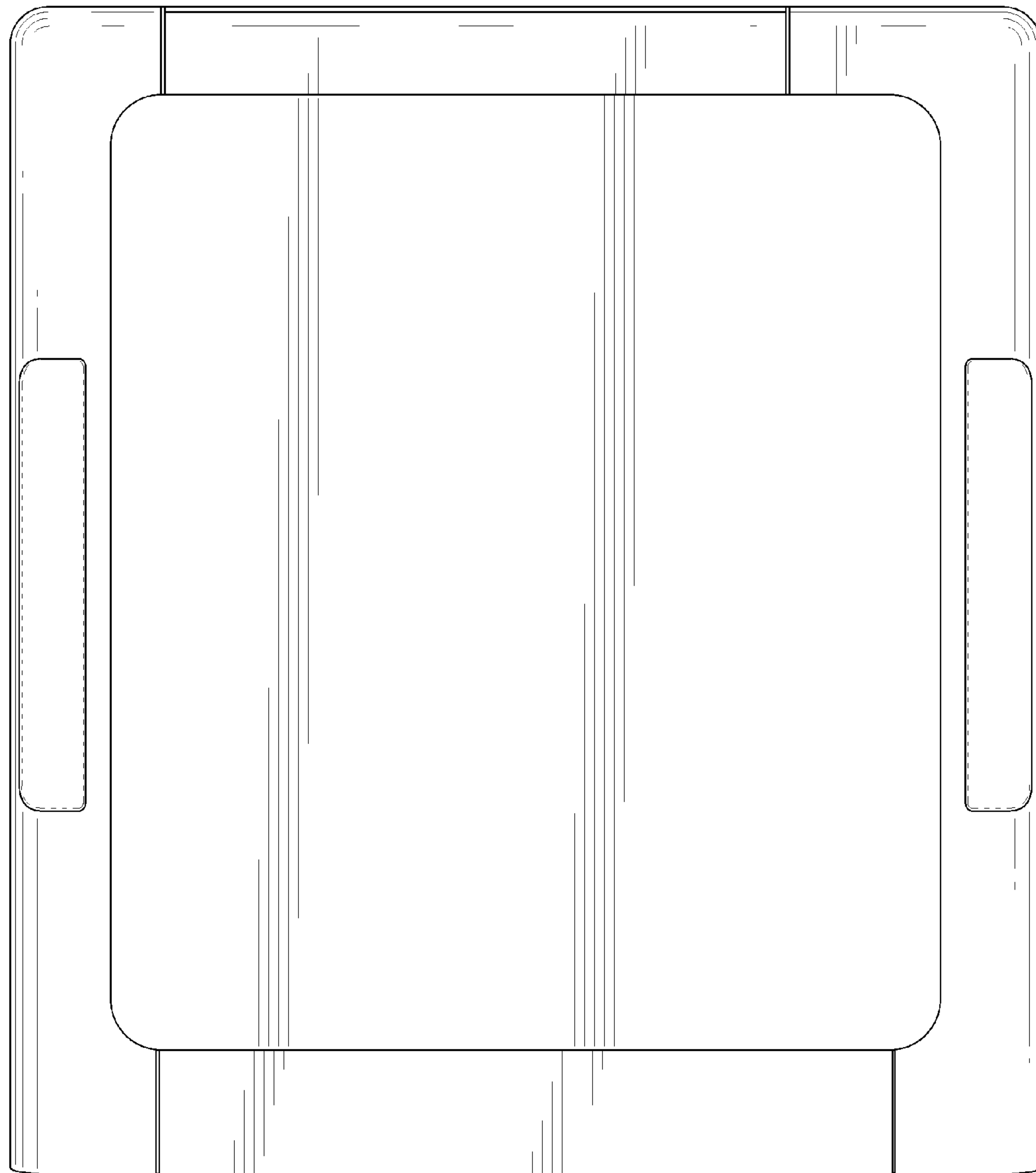


FIG. 7