



US00D698861S

(12) **United States Design Patent**
Huang et al.

(10) **Patent No.:** **US D698,861 S**

(45) **Date of Patent:** **** Feb. 4, 2014**

(54) **DRIVE GEAR FOR PHOTSENSITIVE DRUM**

(71) Applicant: **General Plastic Industrial Co., Ltd.**,
Taichung (TW)

(72) Inventors: **Shih-Chieh Huang**, Cingshuei
Township, Taichung County (TW);
Min-Hui Tsai, Shalu Township,
Taichung County (TW)

(73) Assignee: **General Plastic Industrial Co., Ltd.**,
Taichung (TW)

(**) Term: **14 Years**

(21) Appl. No.: **29/453,277**

(22) Filed: **Apr. 26, 2013**

(51) **LOC (10) Cl.** **16-03**

(52) **U.S. Cl.**
USPC **D18/43**

(58) **Field of Classification Search**
USPC D14/471; D18/12, 36, 40, 43, 44, 56;
222/DIG. 1; 347/197, 222; 399/24-28,
399/107-112, 119, 121, 122, 222-224
See application file for complete search history.

(56) **References Cited**

U.S. PATENT DOCUMENTS

5,247,325	A *	9/1993	Takahashi	D18/43
D537,472	S *	2/2007	Amano	D18/43
D542,837	S *	5/2007	Amano	D18/43
7,664,431	B2 *	2/2010	Jang et al.	399/167
D618,720	S *	6/2010	Wasai	D18/43

D618,721	S *	6/2010	Wasai	D18/43
D620,522	S *	7/2010	Amano	D18/43
D667,049	S *	9/2012	Park et al.	D18/43
D677,718	S *	3/2013	Huck et al.	D18/43
D678,398	S *	3/2013	Huck et al.	D18/43
D678,399	S *	3/2013	Huck et al.	D18/43
D678,400	S *	3/2013	Huck et al.	D18/43
D678,401	S *	3/2013	Huck et al.	D18/43
D678,939	S *	3/2013	Huck et al.	D18/43
D678,940	S *	3/2013	Huck et al.	D18/43
D679,751	S *	4/2013	Huck et al.	D18/43
D680,159	S *	4/2013	Huck et al.	D18/43
D683,392	S *	5/2013	Kurokawa et al.	D18/43
D683,393	S *	5/2013	Kurokawa et al.	D18/43
D683,788	S *	6/2013	Kurokawa et al.	D18/43
D685,023	S *	6/2013	Kurokawa et al.	D18/43
D689,128	S *	9/2013	Amberg et al.	D18/43
2009/0010681	A1 *	1/2009	Huck et al.	399/167
2010/0196047	A1 *	8/2010	Jin	399/111

* cited by examiner

Primary Examiner — Garth Rademaker

(74) *Attorney, Agent, or Firm* — Muncy, Geissler, Olds & Lowe, PLLC

(57) **CLAIM**

The ornamental design for a drive gear for photosensitive drum, as shown and described.

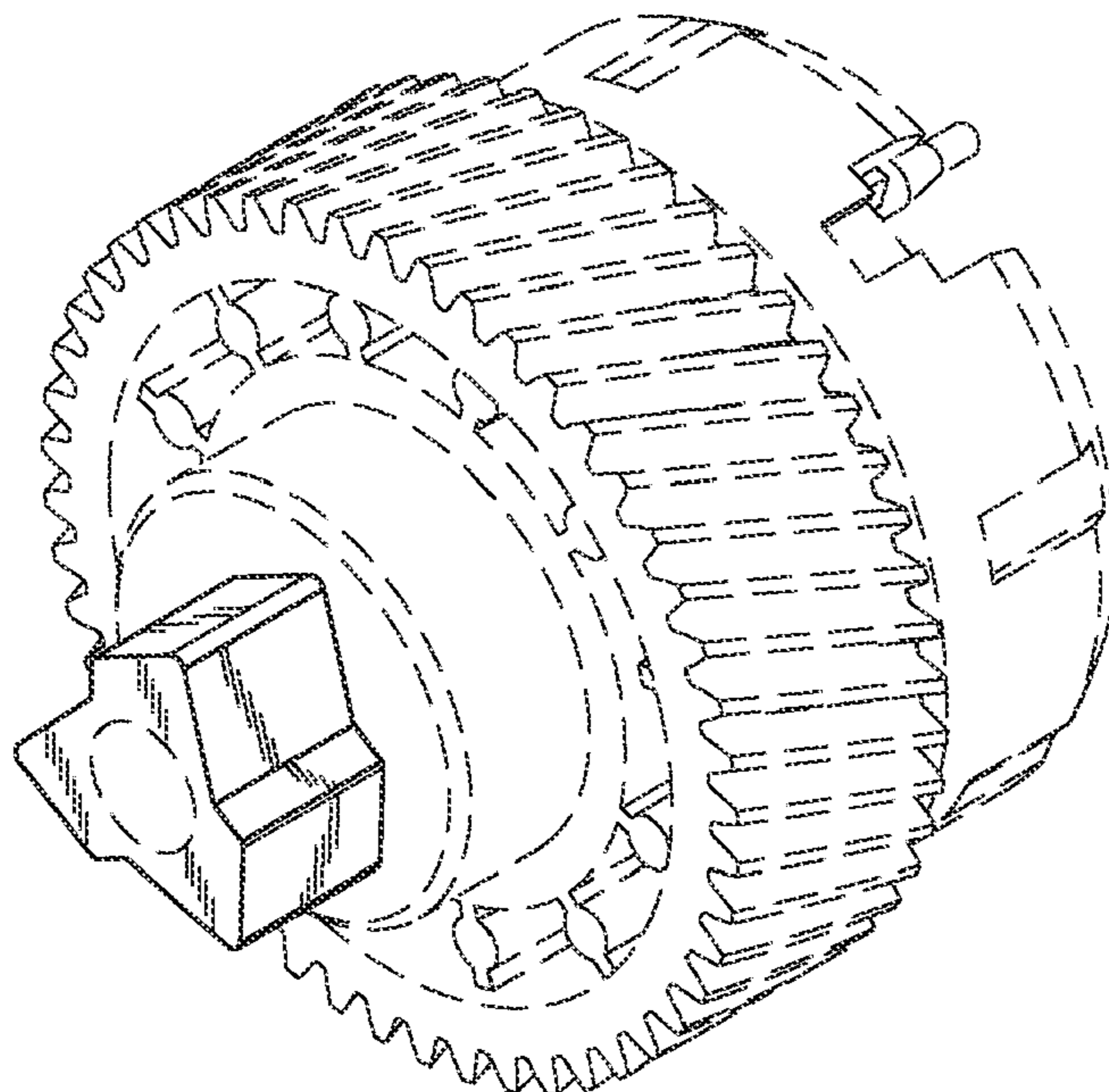
DESCRIPTION

FIG. 1 is a perspective view of a drive gear for a photosensitive drum; and,

FIG. 2 is a front view thereof.

The broken lines depict environmental subject matter only and form no part of the claimed design.

1 Claim, 1 Drawing Sheet



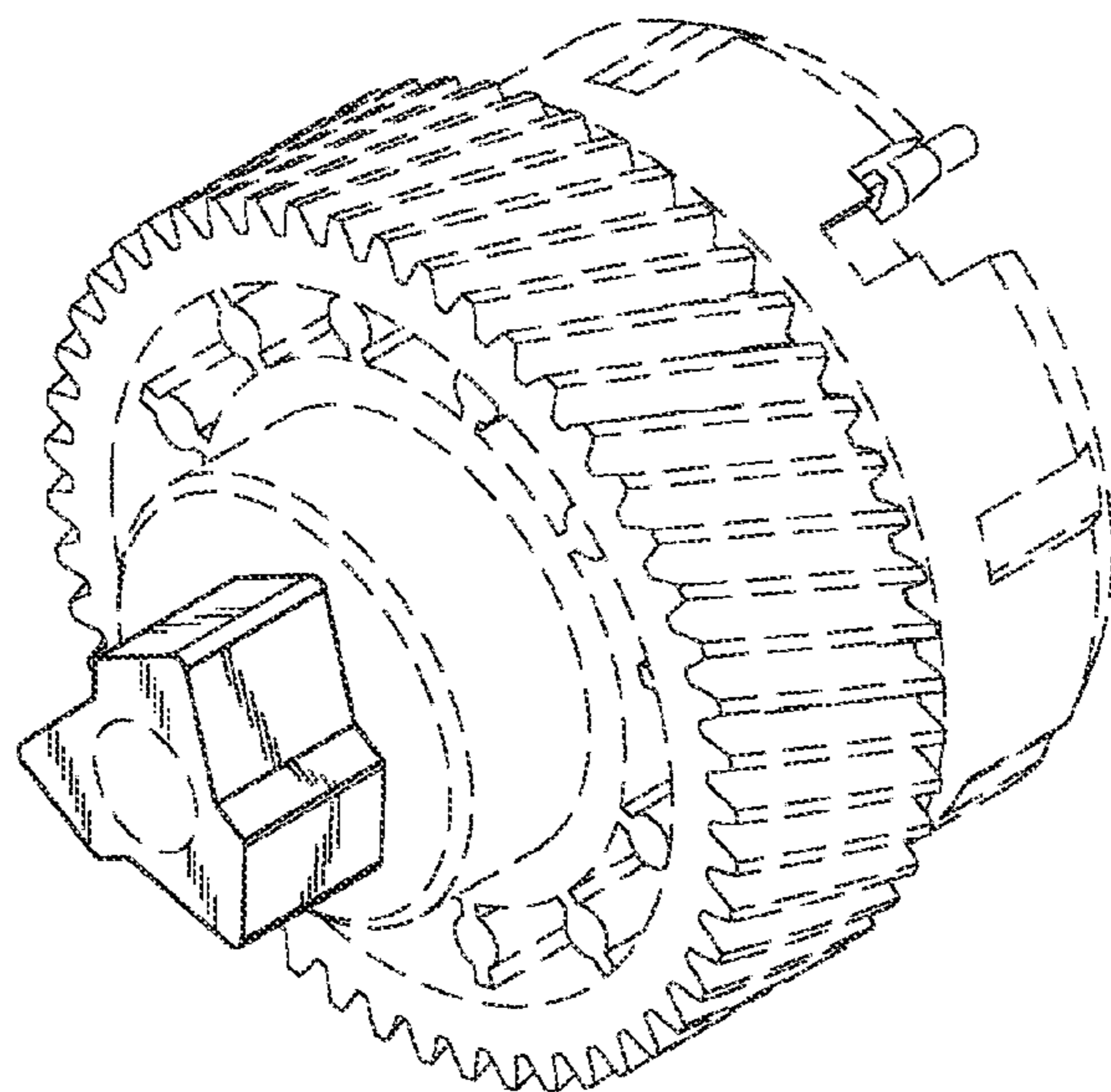


FIG. 1

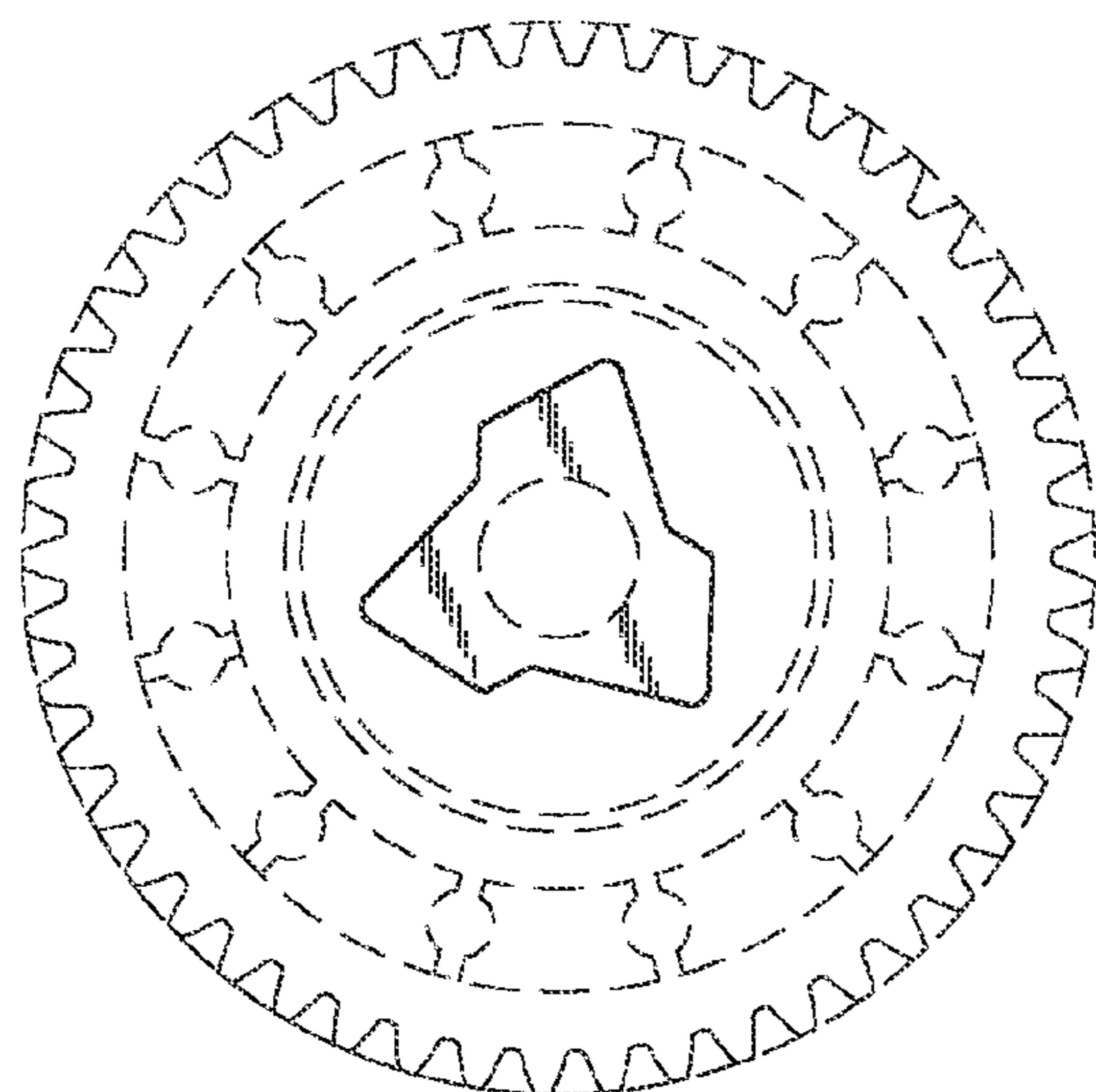


FIG. 2