



US00D698858S

(12) **United States Design Patent**
Nodera et al.

(10) **Patent No.:** **US D698,858 S**
(45) **Date of Patent:** **** Feb. 4, 2014**

(54) **POWDER CONTAINER**

(56) **References Cited**

U.S. PATENT DOCUMENTS

(71) Applicants: **Kentaro Nodera**, Sagamihara (JP);
Teppei Kikuchi, Yokohama (JP); **Akira Fujimori**, Yokohama (JP); **Hideki Kosugi**, Yokohama (JP); **Tatsuya Kubo**, Kawasaki (JP); **Shinnosuke Koshizuka**, Fujisawa (JP)

D246,373 S	*	11/1977	Crandell et al.	D18/44
D299,929 S	*	2/1989	Yomo	D18/44
D366,059 S	*	1/1996	Evanoff et al.	D18/56
D471,582 S	*	3/2003	Mori	D18/40
D502,730 S	*	3/2005	Miyagawa	D18/40
D505,443 S	*	5/2005	Saldana et al.	D18/40
D549,277 S	*	8/2007	Ramos et al.	D18/47
D549,278 S	*	8/2007	Ramos et al.	D18/47

OTHER PUBLICATIONS

(72) Inventors: **Kentaro Nodera**, Sagamihara (JP);
Teppei Kikuchi, Yokohama (JP); **Akira Fujimori**, Yokohama (JP); **Hideki Kosugi**, Yokohama (JP); **Tatsuya Kubo**, Kawasaki (JP); **Shinnosuke Koshizuka**, Fujisawa (JP)

U.S. Appl. No. 29/447,915, filed Mar. 7, 2013, Nodera, et al.
U.S. Appl. No. 29/447,639, filed Mar. 5, 2013, Nodera, et al.
U.S. Appl. No. 29/447,633, filed Mar. 5, 2013, Nodera, et al.
U.S. Appl. No. 13/783,528, filed Mar. 4, 2013, Nodera, et al.

* cited by examiner

Primary Examiner — Garth Rademaker

(73) Assignee: **Ricoh Company, Ltd.**, Tokyo (JP)

(74) *Attorney, Agent, or Firm* — Oblon, Spivak, McClelland, Maier & Neustadt, L.L.P.

(**) Term: **14 Years**

(57) **CLAIM**

The ornamental design for a powder container, as shown and described.

(21) Appl. No.: **29/447,644**

DESCRIPTION

(22) Filed: **Mar. 5, 2013**

(51) **LOC (10) Cl.** **16-03**

(52) **U.S. Cl.**

USPC **D18/43**

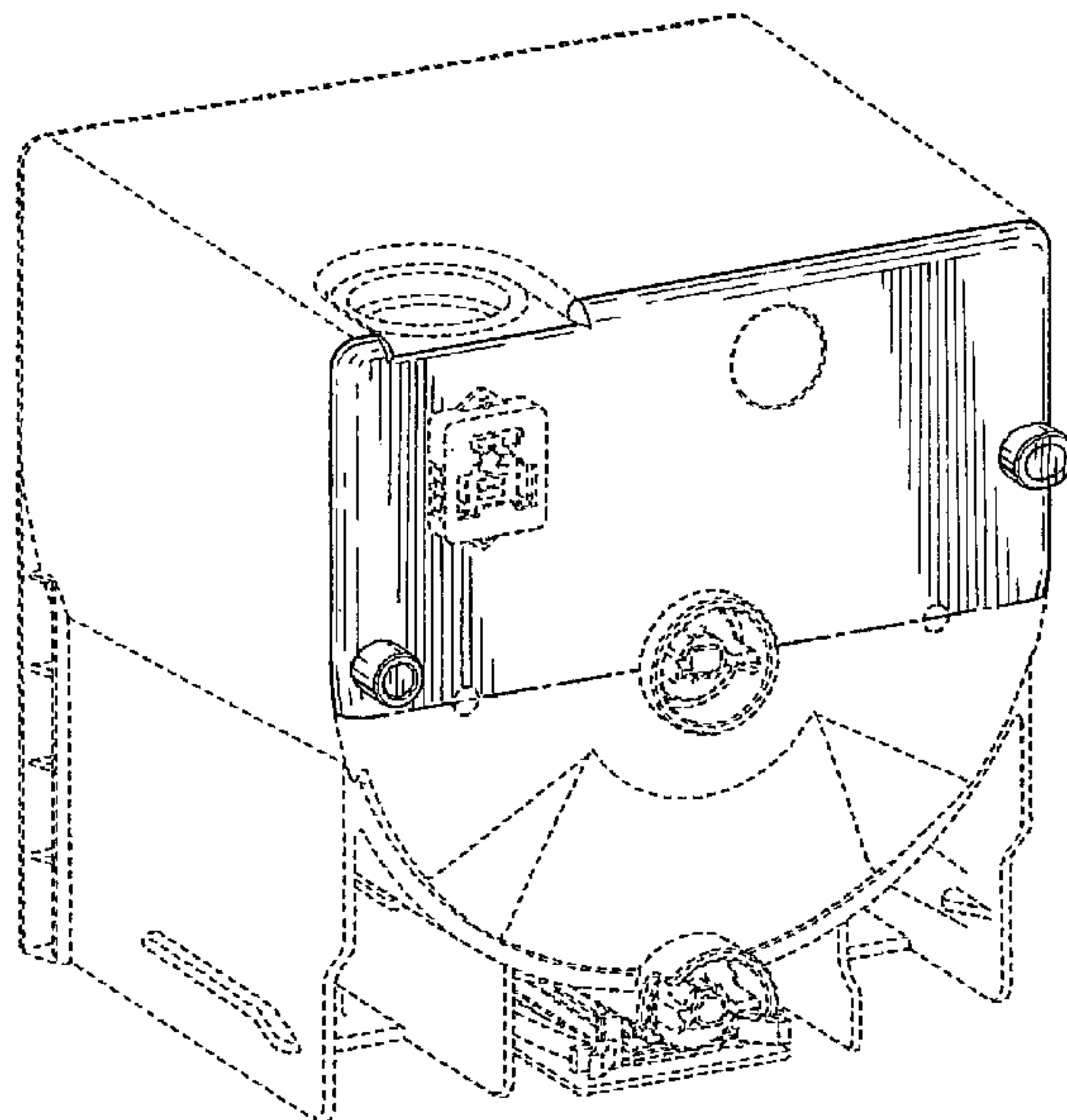
(58) **Field of Classification Search**

USPC D14/471; D18/12, 36, 40, 43, 44, 56;
222/DIG. 1; 347/197, 222; 399/24–28,
399/107–112, 119, 121, 122, 222–224

FIG. 1 is a front elevational view of a powder container;
FIG. 2 is a rear elevational view thereof;
FIG. 3 is a left side elevational view thereof;
FIG. 4 is a right side elevational view thereof;
FIG. 5 is a top plan view thereof;
FIG. 6 is a bottom plan view thereof; and,
FIG. 7 is a front, top, and left side perspective view thereof.
The broken lines in the drawings depict environmental subject matter only and form no part of the claimed design.

See application file for complete search history.

1 Claim, 7 Drawing Sheets



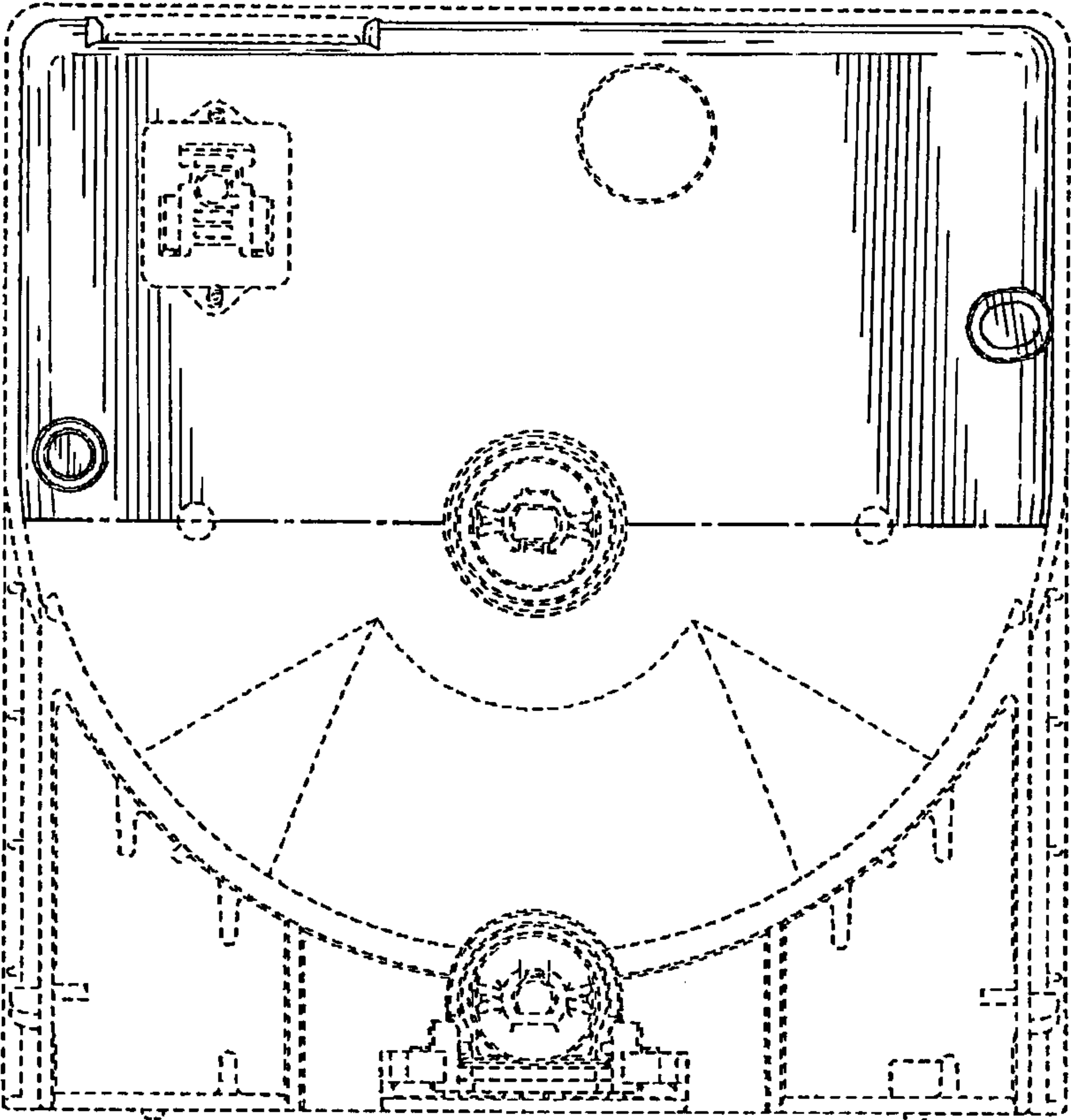


FIG. 1

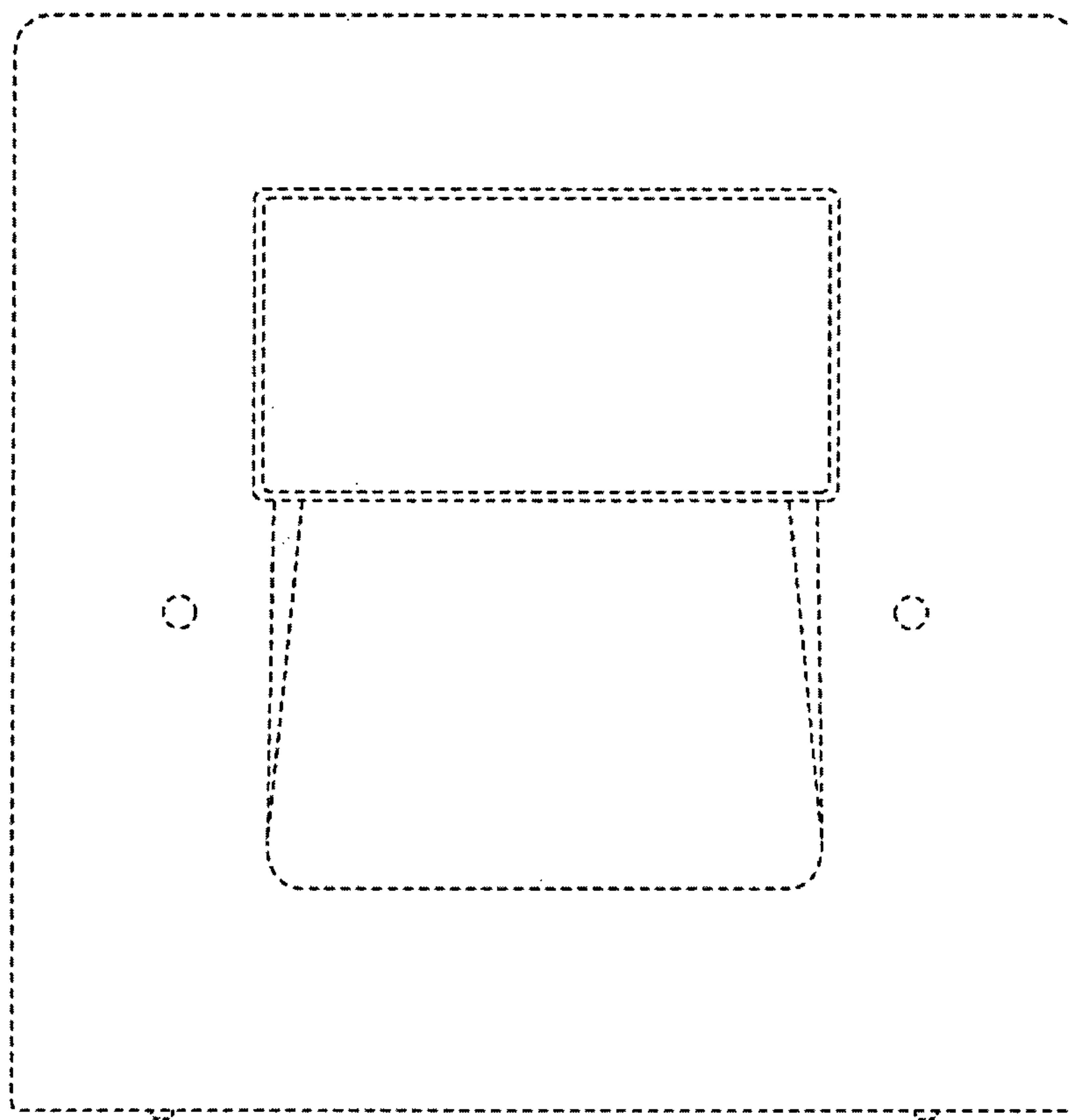


FIG. 2

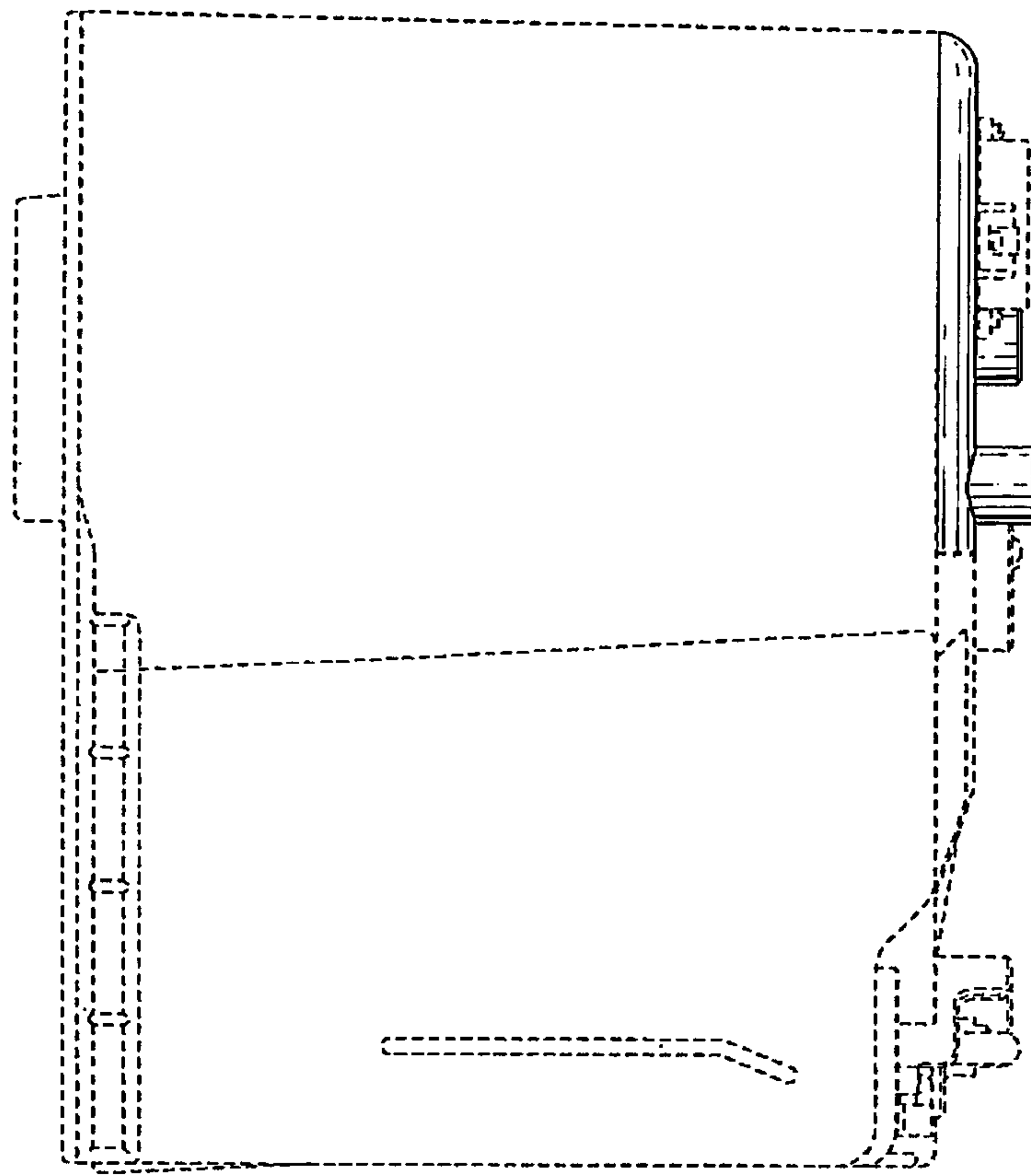


FIG. 3

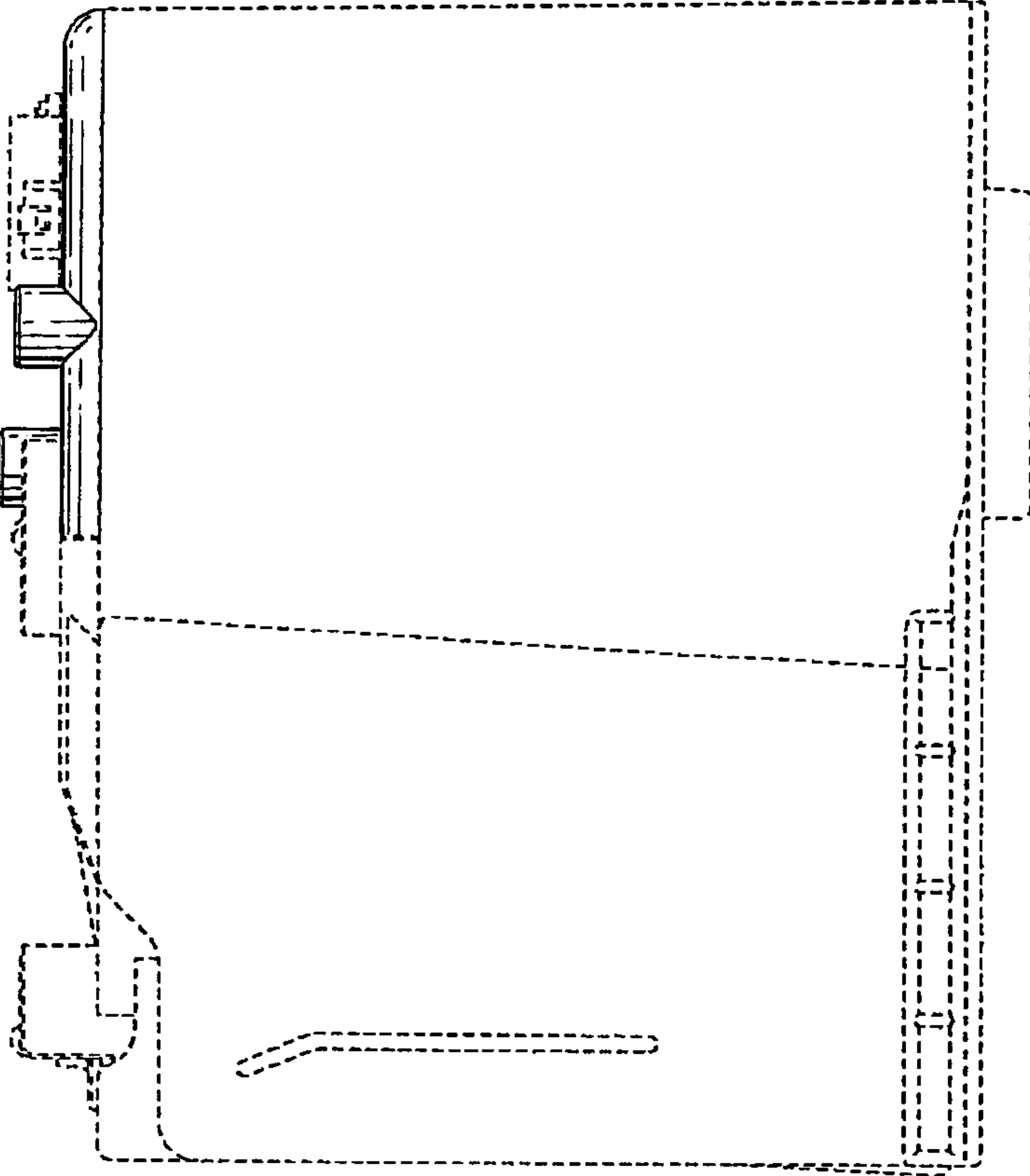


FIG. 4

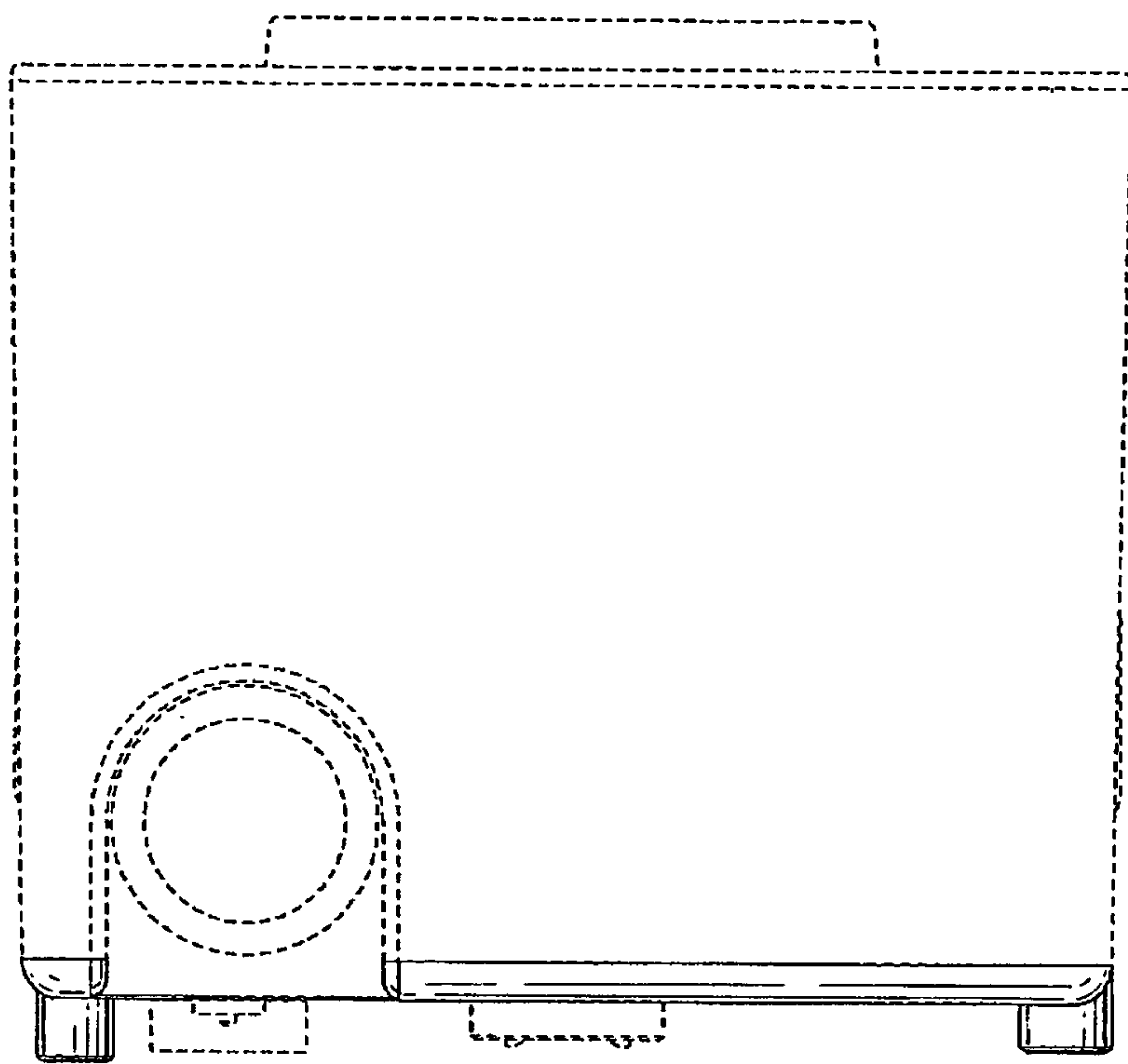


FIG. 5

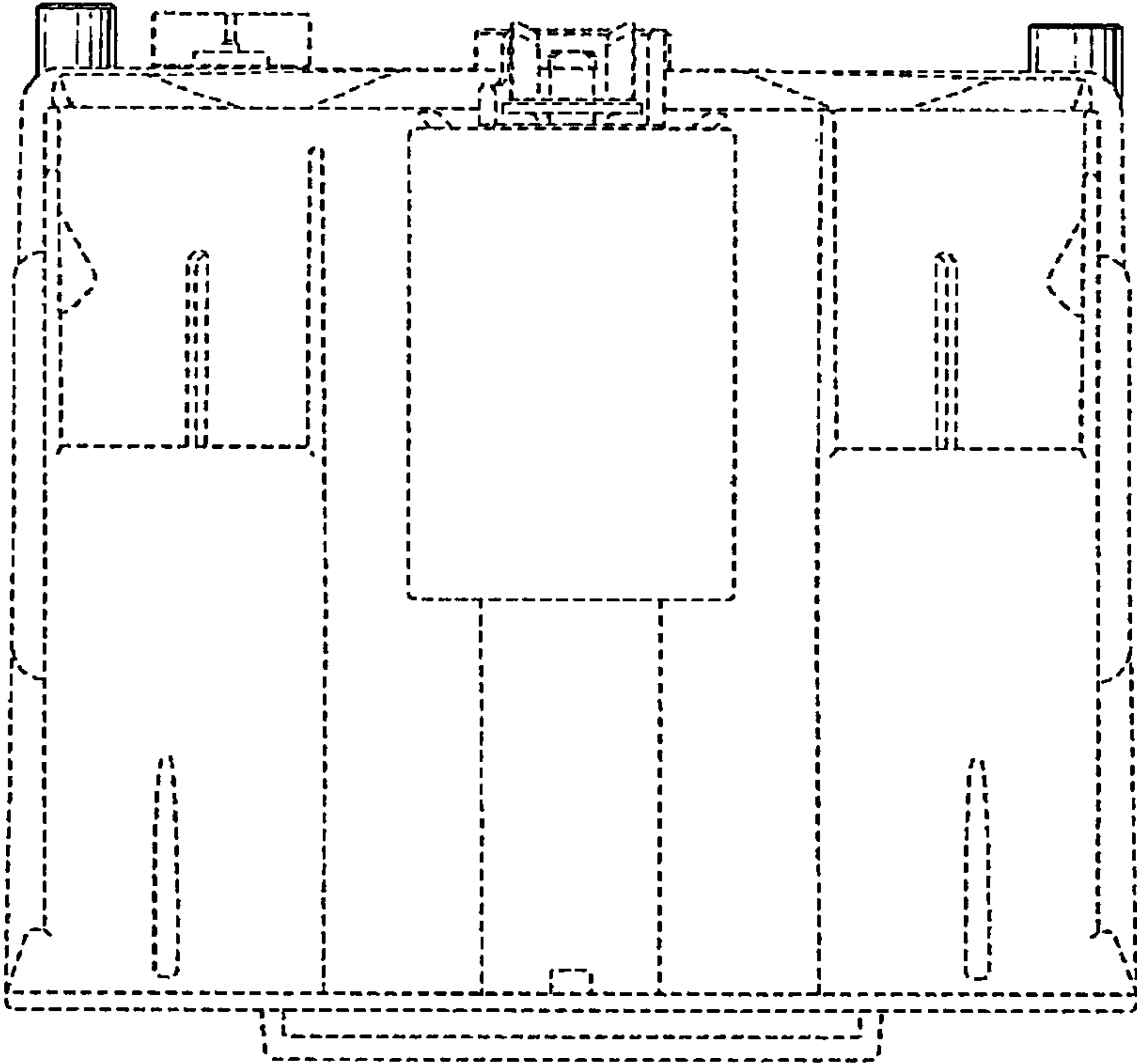


FIG. 6

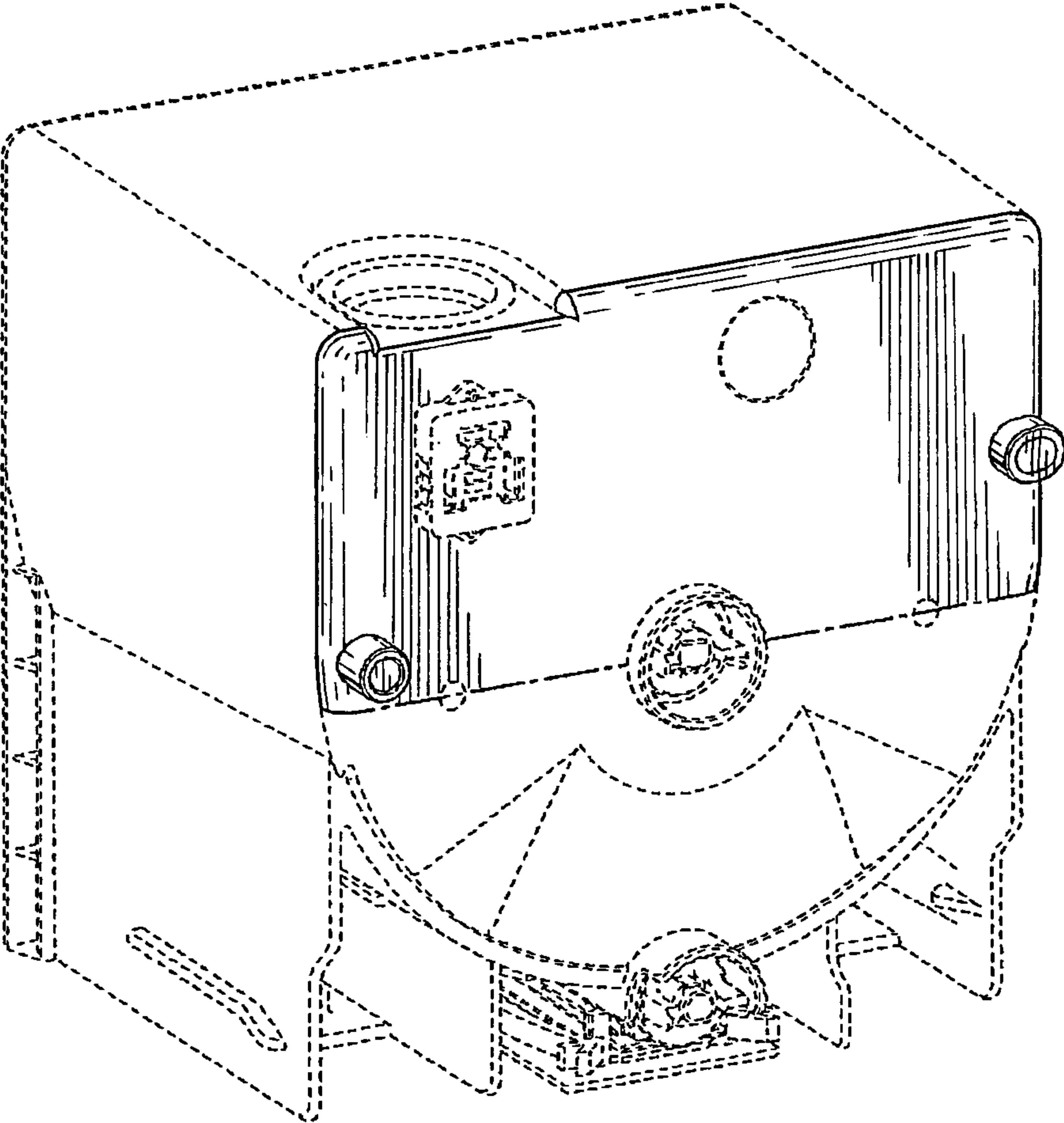


FIG. 7