



US00D698857S

(12) **United States Design Patent**  
**Nodera et al.**

(10) **Patent No.:** **US D698,857 S**

(45) **Date of Patent:** **\*\* Feb. 4, 2014**

(54) **POWDER CONTAINER**

(71) Applicants: **Kentaro Nodera**, Sagamihara (JP);  
**Teppei Kikuchi**, Yokohama (JP); **Akira Fujimori**, Yokohama (JP); **Hideki Kosugi**, Yokohama (JP); **Tatsuya Kubo**, Kawasaki (JP); **Shinnosuke Koshizuka**, Fujisawa (JP)

(72) Inventors: **Kentaro Nodera**, Sagamihara (JP);  
**Teppei Kikuchi**, Yokohama (JP); **Akira Fujimori**, Yokohama (JP); **Hideki Kosugi**, Yokohama (JP); **Tatsuya Kubo**, Kawasaki (JP); **Shinnosuke Koshizuka**, Fujisawa (JP)

(73) Assignee: **Ricoh Company, Ltd.**, Tokyo (JP)

(\*\*) Term: **14 Years**

(21) Appl. No.: **29/447,639**

(22) Filed: **Mar. 5, 2013**

(51) **LOC (10) Cl.** ..... **16-03**

(52) **U.S. Cl.**  
USPC ..... **D18/43**

(58) **Field of Classification Search**  
USPC ..... D14/471; D18/12, 36, 40, 43, 44, 56;  
222/DIG. 1; 347/197, 222; 399/24-28,  
399/107-112, 119, 121, 122, 222-224  
See application file for complete search history.

(56) **References Cited**

U.S. PATENT DOCUMENTS

D537,472 S *	2/2007	Amano	.....	D18/43
D542,837 S *	5/2007	Amano	.....	D18/43
7,664,431 B2 *	2/2010	Jang et al.	.....	399/167
D618,720 S *	6/2010	Wasai	.....	D18/43

D618,721 S *	6/2010	Wasai	.....	D18/43
D620,522 S *	7/2010	Amano	.....	D18/43
D678,939 S *	3/2013	Huck et al.	.....	D18/43
D683,393 S *	5/2013	Kurokawa et al.	.....	D18/43
D687,091 S *	7/2013	Wakimoto	.....	D18/43
2009/0010681 A1 *	1/2009	Huck et al.	.....	399/167
2010/0196047 A1 *	8/2010	Jin	.....	399/111

OTHER PUBLICATIONS

U.S. Appl. No. 29/447,644, filed Mar. 5, 2013, Nodera, et al.  
U.S. Appl. No. 29/447,915, filed Mar. 7, 2013, Nodera, et al.  
U.S. Appl. No. 29/447,633, filed Mar. 5, 2013, Nodera, et al.  
U.S. Appl. No. 13/783,528, filed Mar. 4, 2013, Nodera, et al.

\* cited by examiner

*Primary Examiner* — Garth Rademaker

(74) *Attorney, Agent, or Firm* — Oblon, Spivak, McClelland, Maier & Neustadt, L.L.P.

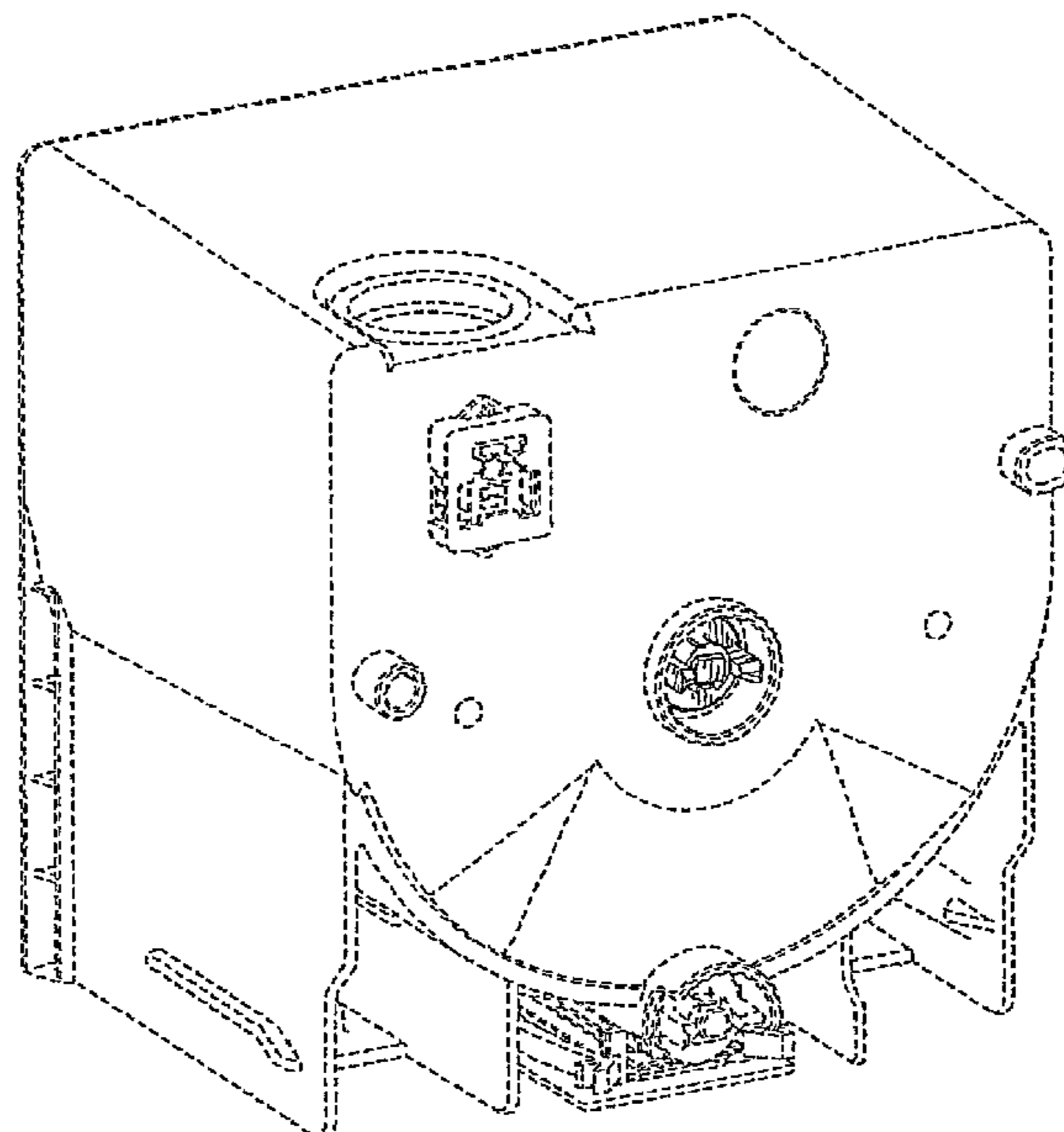
(57) **CLAIM**

The ornamental design for a powder container, as shown and described.

**DESCRIPTION**

FIG. 1 is a front elevational view of a powder container;  
FIG. 2 is a rear elevational view thereof;  
FIG. 3 is a left side elevational view thereof;  
FIG. 4 is a right side elevational view thereof;  
FIG. 5 is a top plan view thereof;  
FIG. 6 is a bottom plan view thereof;  
FIG. 7 is a front, top, and left side perspective view thereof;  
and,  
FIG. 8 is a front and bottom perspective view thereof.  
The broken lines in the drawings depict environmental subject matter only and form no part of the claimed design.

**1 Claim, 8 Drawing Sheets**



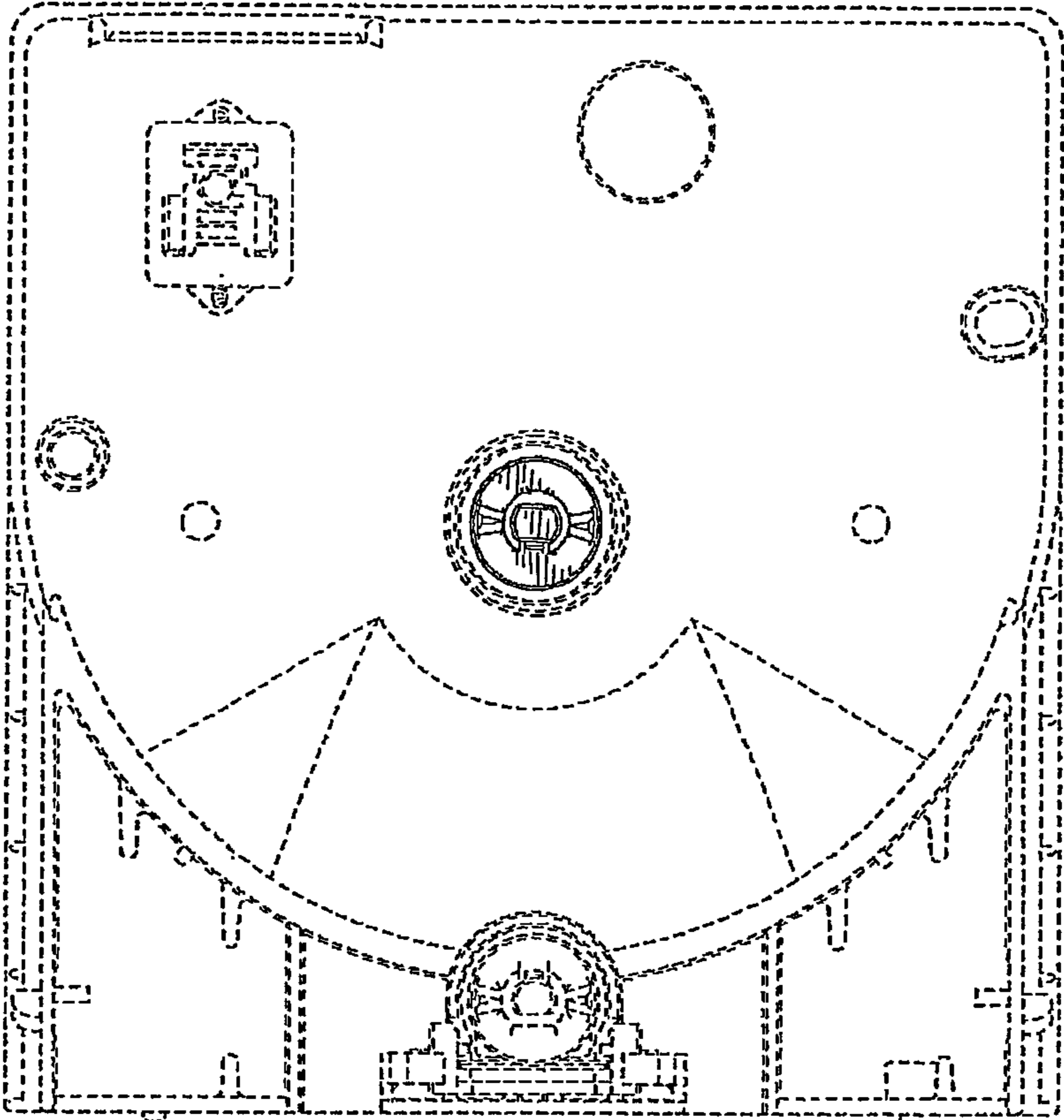


FIG. 1

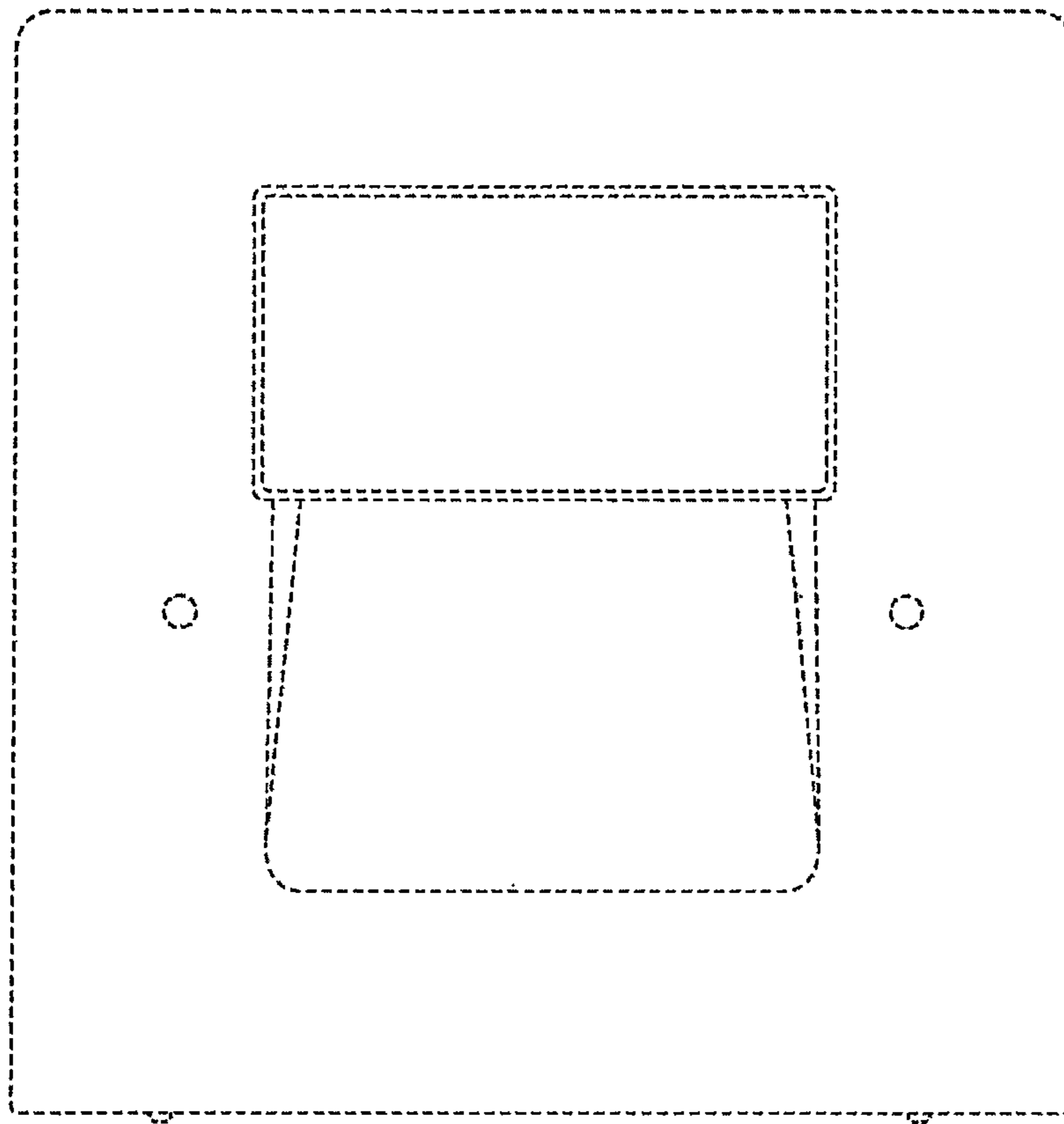


FIG. 2

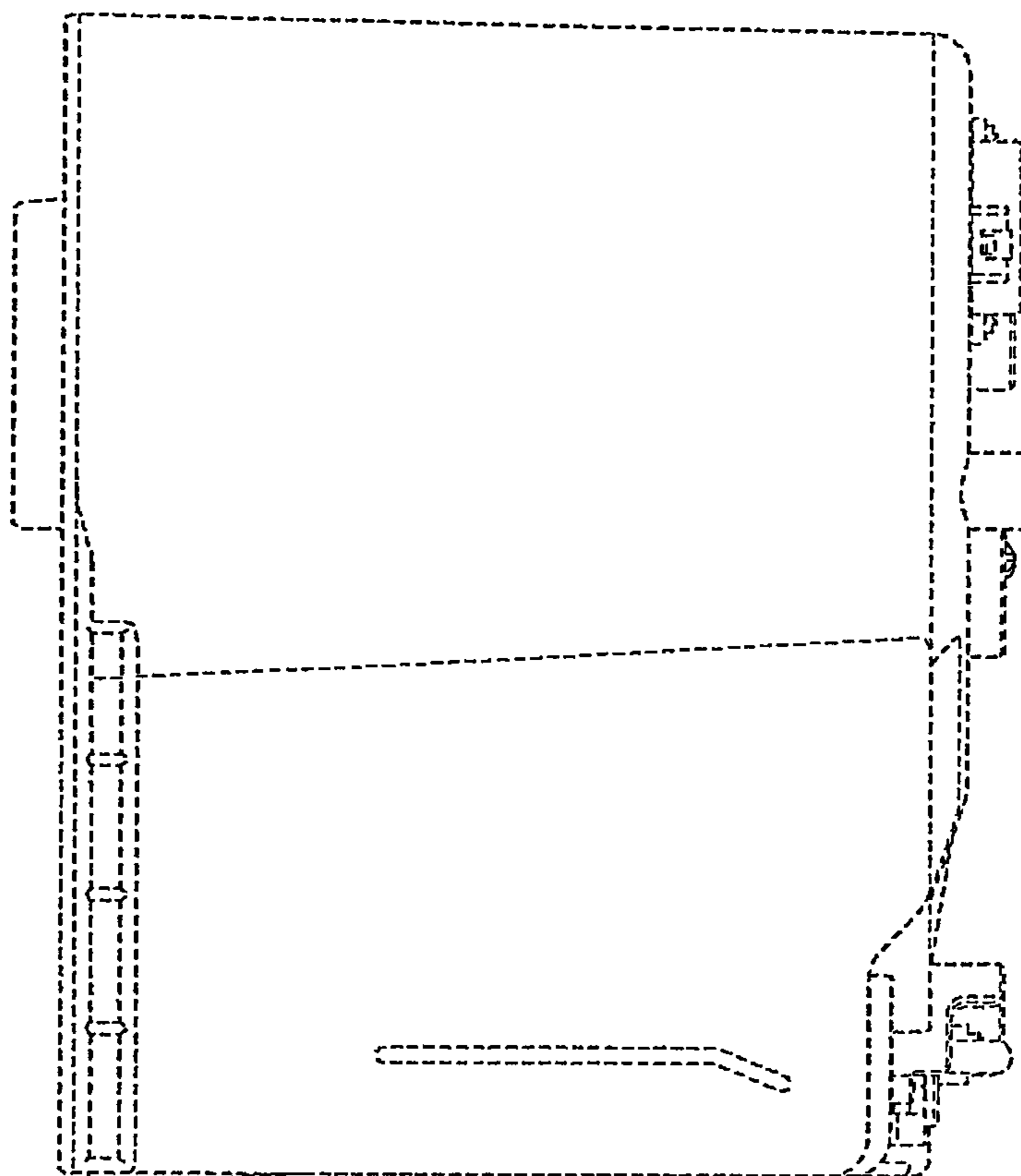


FIG. 3

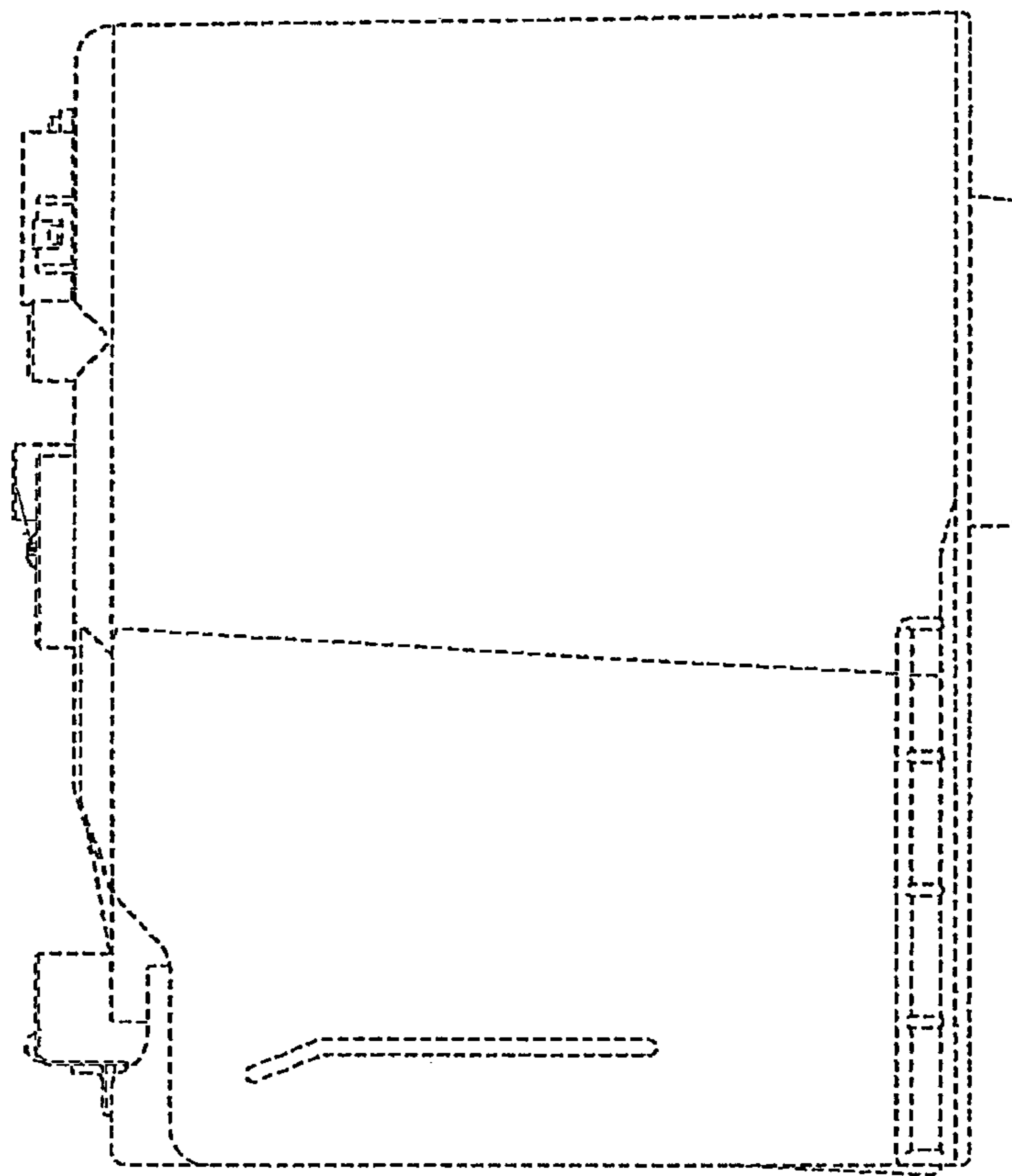


FIG. 4

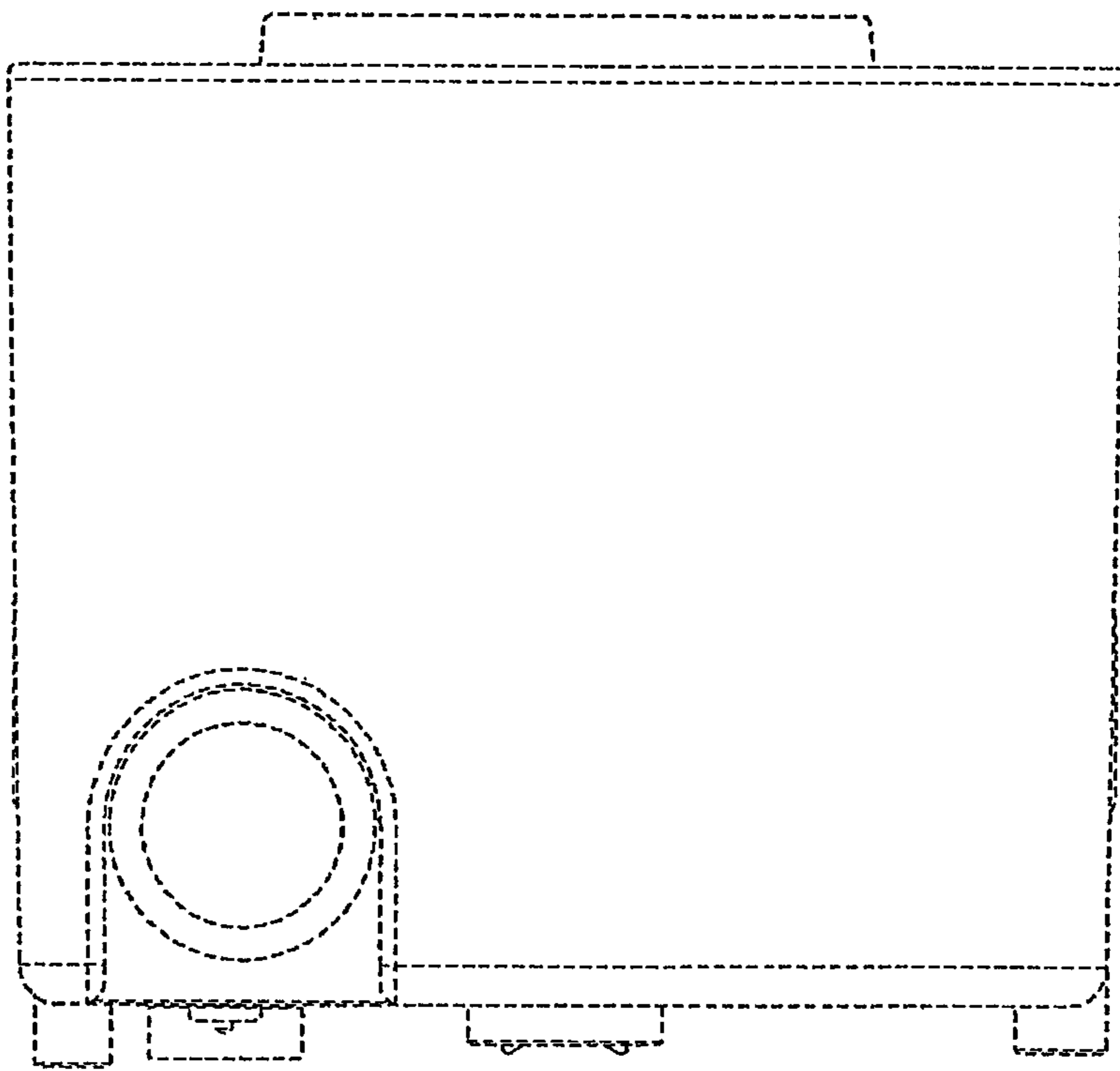


FIG. 5

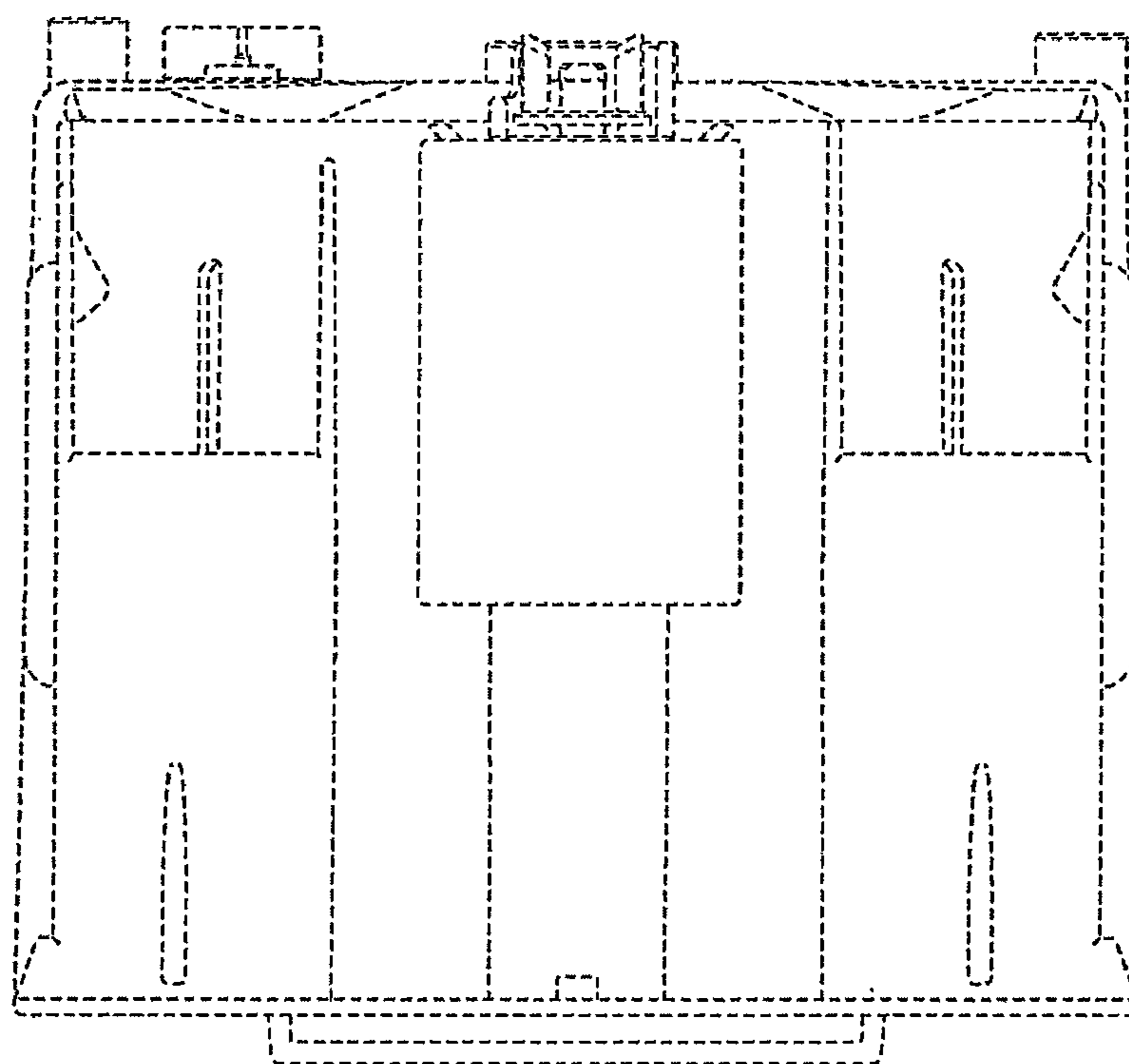


FIG. 6

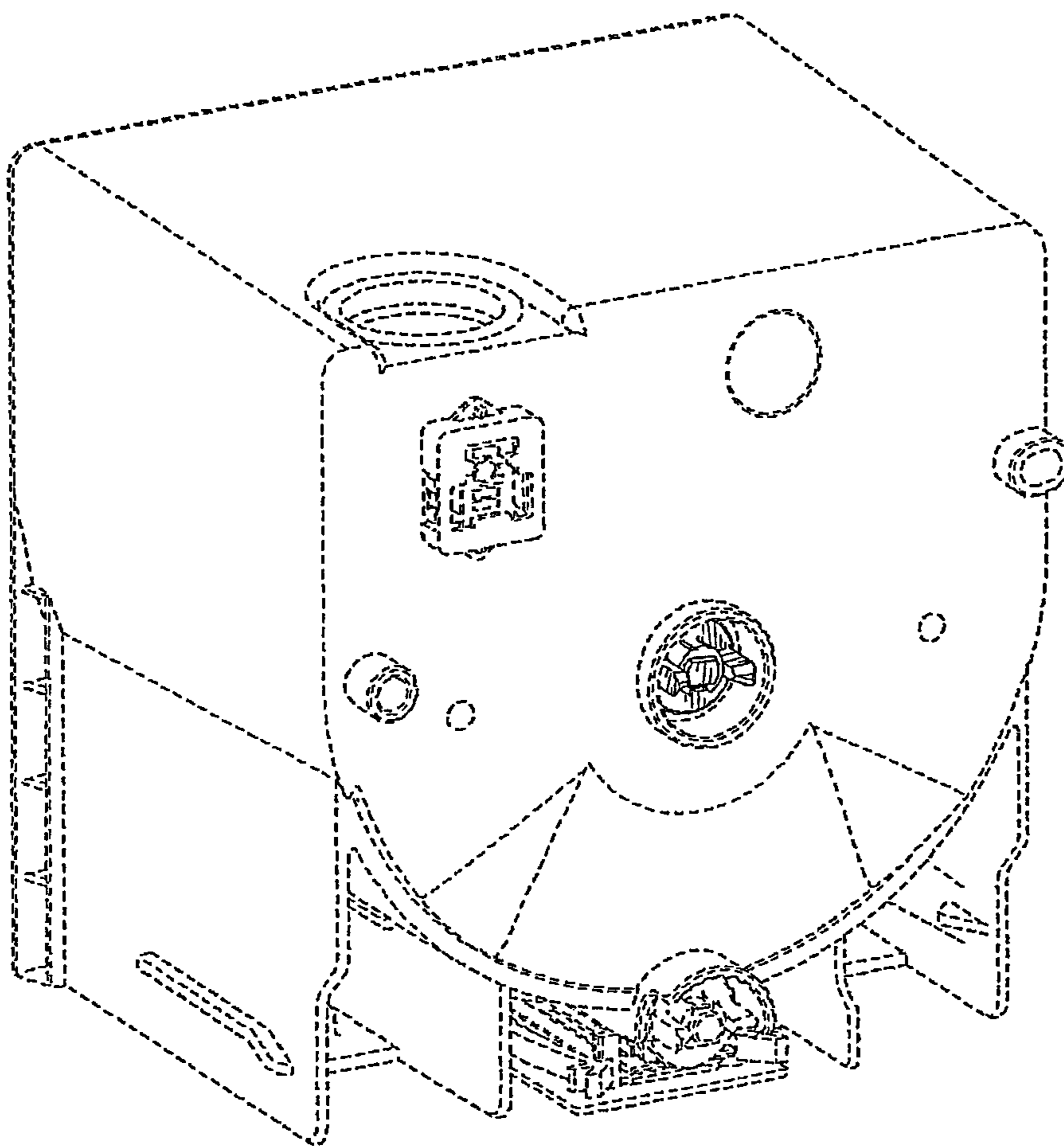


FIG. 7



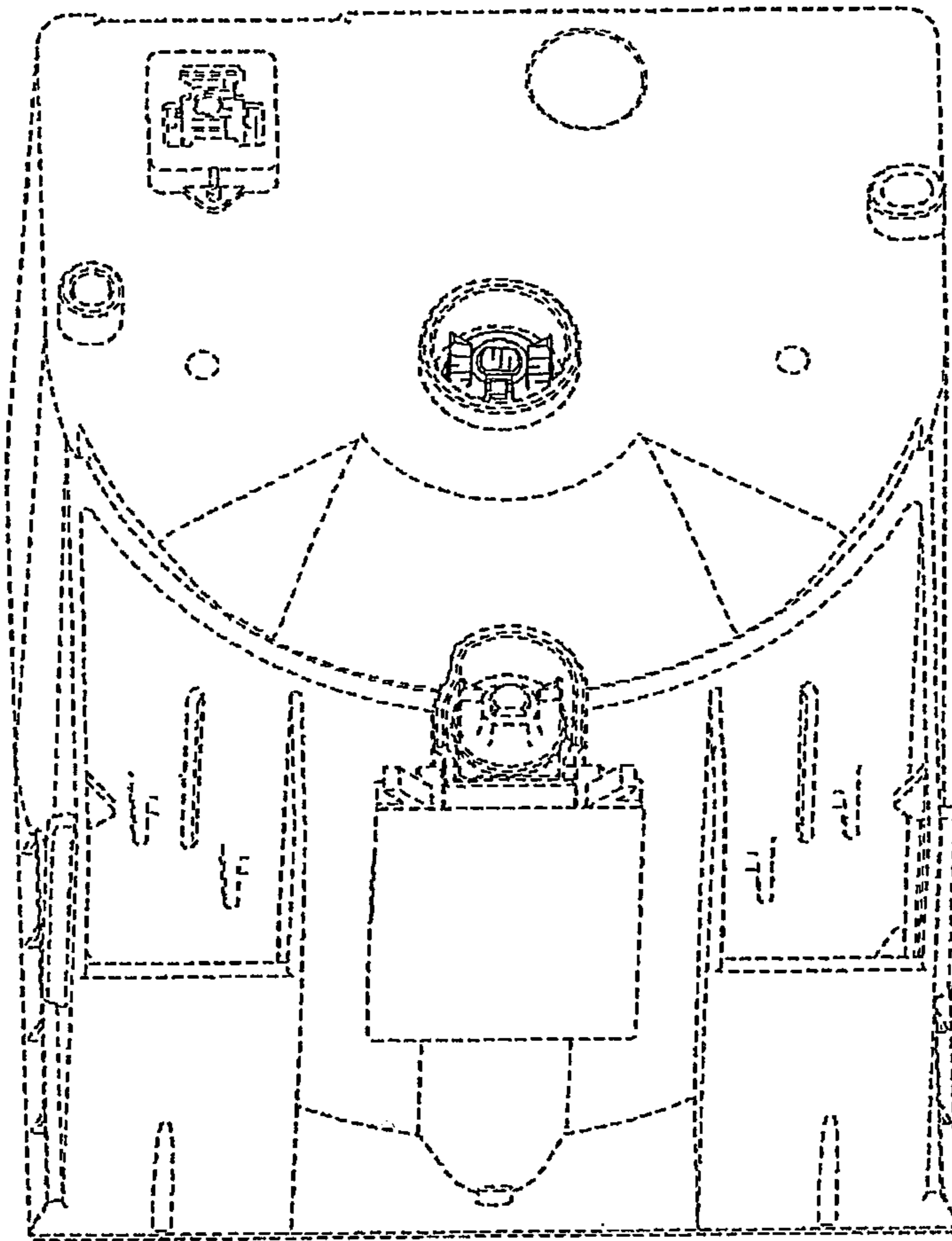


FIG. 8