



US00D698851S

(12) **United States Design Patent**
Samuels et al.

(10) **Patent No.:** **US D698,851 S**

(45) **Date of Patent:** **** Feb. 4, 2014**

(54) **SUCTION CUP MOUNT**

(71) Applicant: **Woodman Labs, Inc.**, San Mateo, CA (US)

(72) Inventors: **Rudy Lucas Samuels**, Mill Valley, CA (US); **Joshua Todd Druker**, Redwood City, CA (US); **Travis Eastman Pynn**, Moss Beach, CA (US); **Nicholas D. Woodman**, Sausalito, CA (US)

(73) Assignee: **Woodman Labs, Inc.**, San Mateo, CA (US)

(**) Term: **14 Years**

(21) Appl. No.: **29/460,701**

(22) Filed: **Jul. 12, 2013**

Related U.S. Application Data

(63) Continuation of application No. 29/434,619, filed on Oct. 15, 2012, now Pat. No. Des. 688,726.

(51) **LOC (10) Cl.** **16-05**

(52) **U.S. Cl.**
USPC **D16/242**

(58) **Field of Classification Search**

USPC D16/219, 235, 237, 242–245, 250, D16/200–204, 208; D14/217, 251, 253, D14/447, 452; 248/176.1, 177.1, 178.1, 248/179.1, 180.1, 183.1, 187.1, 683; 348/373, 375; 396/419–420, 422, 428, 396/535; D8/354, 363, 394, 395
See application file for complete search history.

(56) **References Cited**

U.S. PATENT DOCUMENTS

D521,850 S * 5/2006 Richter et al. D8/354
D545,825 S * 7/2007 Richter D14/447

(Continued)

OTHER PUBLICATIONS

GoPro Suction Cup Mount for HERO Camera. [online] First available Oct. 21, 2012. Retrieved on Apr. 3, 2013 from URL: <www.amazon.com/GoPro-Suction-Mount-HERO-Cameras>.*

Primary Examiner — Susan Bennett Hattan

Assistant Examiner — Vy Koenig

(74) *Attorney, Agent, or Firm* — Fenwick & West LLP

(57) **CLAIM**

The ornamental design for a suction cup mount, as shown and described.

DESCRIPTION

FIG. 1 is a top and left side perspective view of a suction cup mount in a folded and locked and unrotated configuration showing our new design;

FIG. 2 is a top and right side perspective view thereof;

FIG. 3 is top plan view thereof;

FIG. 4 is a bottom plan view thereof;

FIG. 5 is a rear elevational view thereof;

FIG. 6 is a front elevational view thereof;

FIG. 7 is a left side elevational view thereof;

FIG. 8 is a right side elevational view thereof; and

FIG. 9 is a top and left side perspective view of a suction cup mount in an unfolded and locked and unrotated configuration.

FIG. 10 is top and right side perspective view thereof.

FIG. 11 is a top plan view thereof.

FIG. 12 is a front elevational view thereof.

FIG. 13 is right side elevational view thereof.

FIG. 14 is right side elevational view of a suction cup mount in an unfolded and unlocked configuration.

FIG. 15 is a top and right side perspective view thereof.

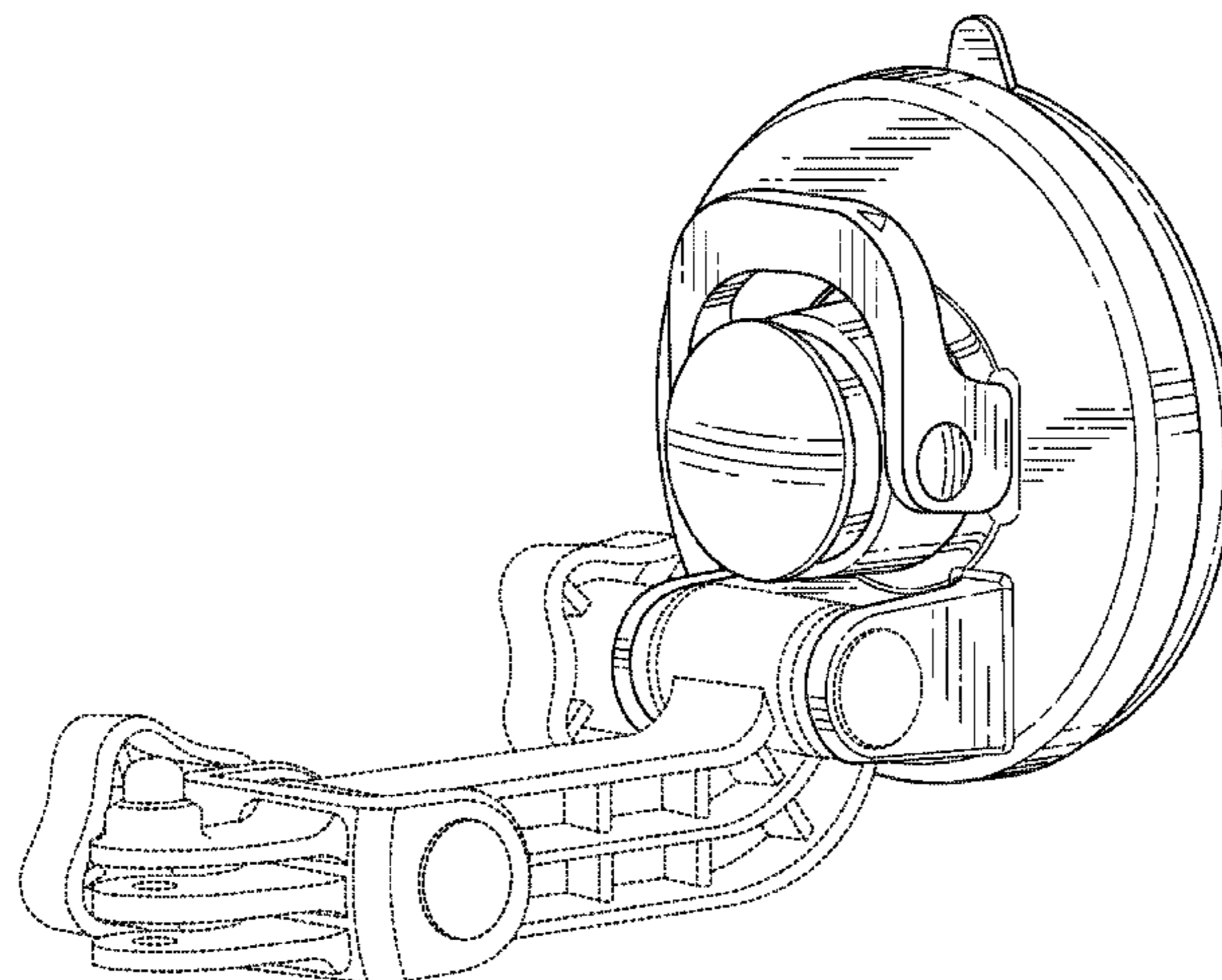
FIG. 16 is top and left side perspective view of a suction cup mount in a folded and locked and rotated configuration;

FIG. 17 is a top plan view thereof; and,

FIG. 18 is a top and right side perspective view of a suction cup mount in an unfolded and locked and rotated configuration.

The broken lines in the drawings showing portions of the suction cup mount are included for the purpose of illustrating environmental structure and form no part of the claimed design.

1 Claim, 18 Drawing Sheets



(56)

References Cited

U.S. PATENT DOCUMENTS

D554,136 S *	10/2007	Richter	D14/447	D619,587 S *	7/2010	Richter	D14/447
D554,137 S *	10/2007	Richter	D14/447	7,766,288 B2 *	8/2010	Kim et al.	248/176.1
D556,205 S *	11/2007	Wohlford et al.	D14/452	D627,624 S *	11/2010	Brassard	D8/363
D566,530 S *	4/2008	Brassard	D8/363	D654,493 S *	2/2012	Baumann et al.	D14/253
D580,847 S *	11/2008	Mo	D12/415	D655,283 S *	3/2012	Richter	D14/253
D587,188 S *	2/2009	Mo	D12/415	D655,284 S *	3/2012	Richter	D14/253
D592,205 S *	5/2009	O'Brien	D14/253	D664,952 S *	8/2012	Richter	D14/253
D602,024 S *	10/2009	Richter	D14/447	D670,157 S *	11/2012	Mo	D8/363
D602,025 S *	10/2009	Richter	D14/447	D681,028 S *	4/2013	Richter	D14/253
D619,586 S *	7/2010	Richter	D14/447	D681,029 S *	4/2013	Richter	D14/253
					D688,726 S *	8/2013	Samuels et al.	D16/242
					2007/0012825 A1 *	1/2007	Yeh	248/122.1
					2012/0049019 A1 *	3/2012	Chen	248/206.2

* cited by examiner

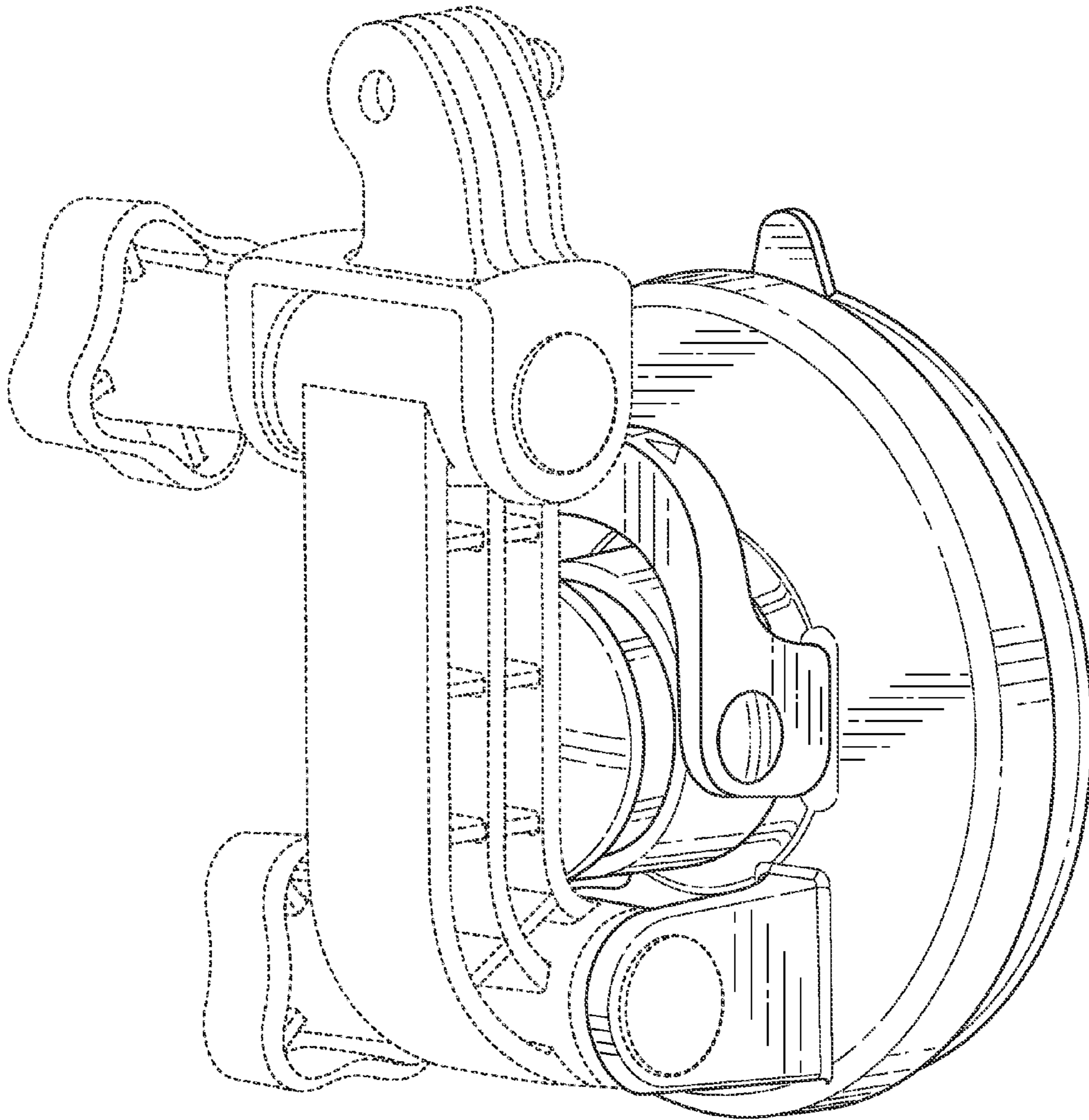


FIG. 1

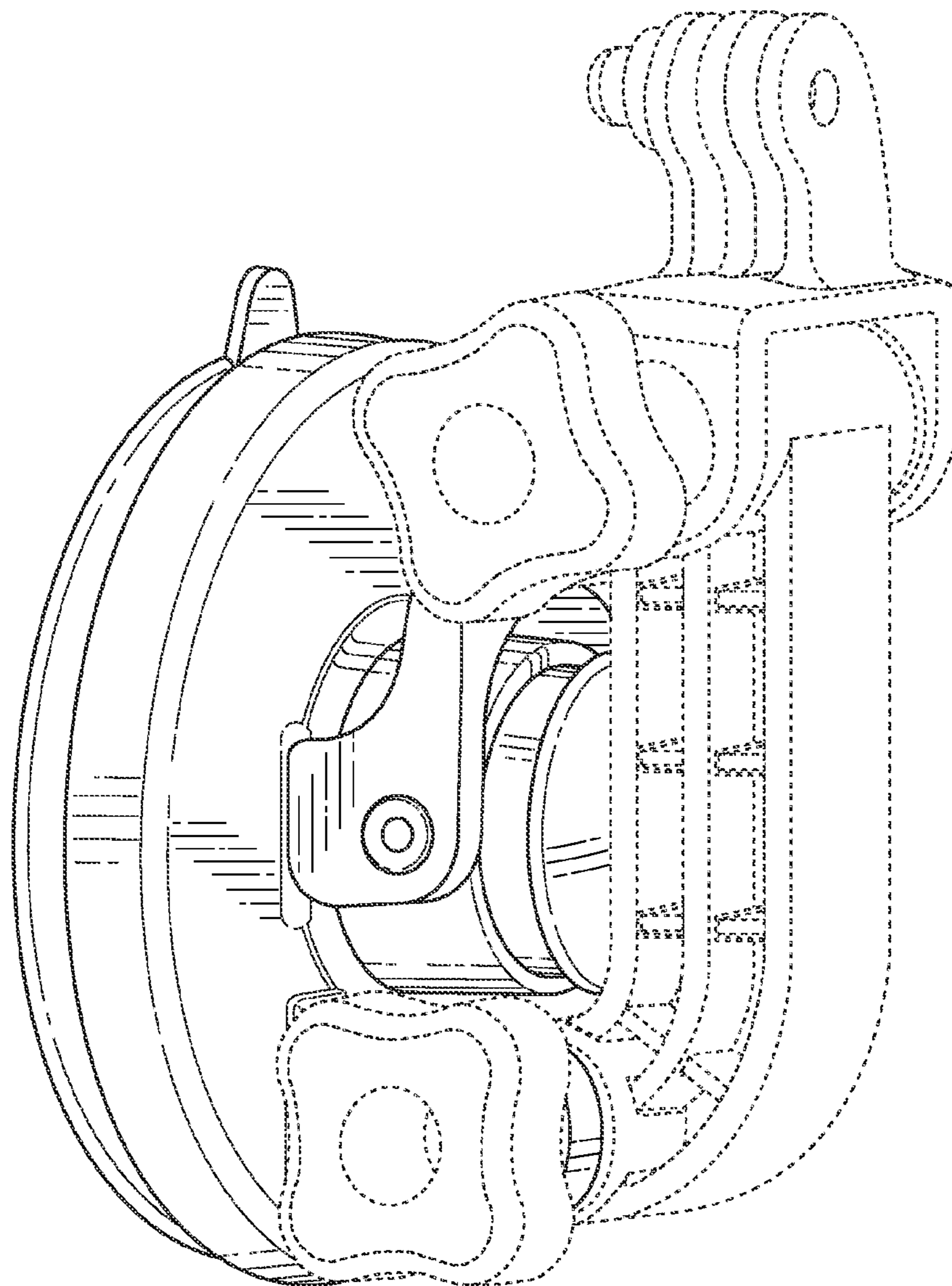


FIG. 2

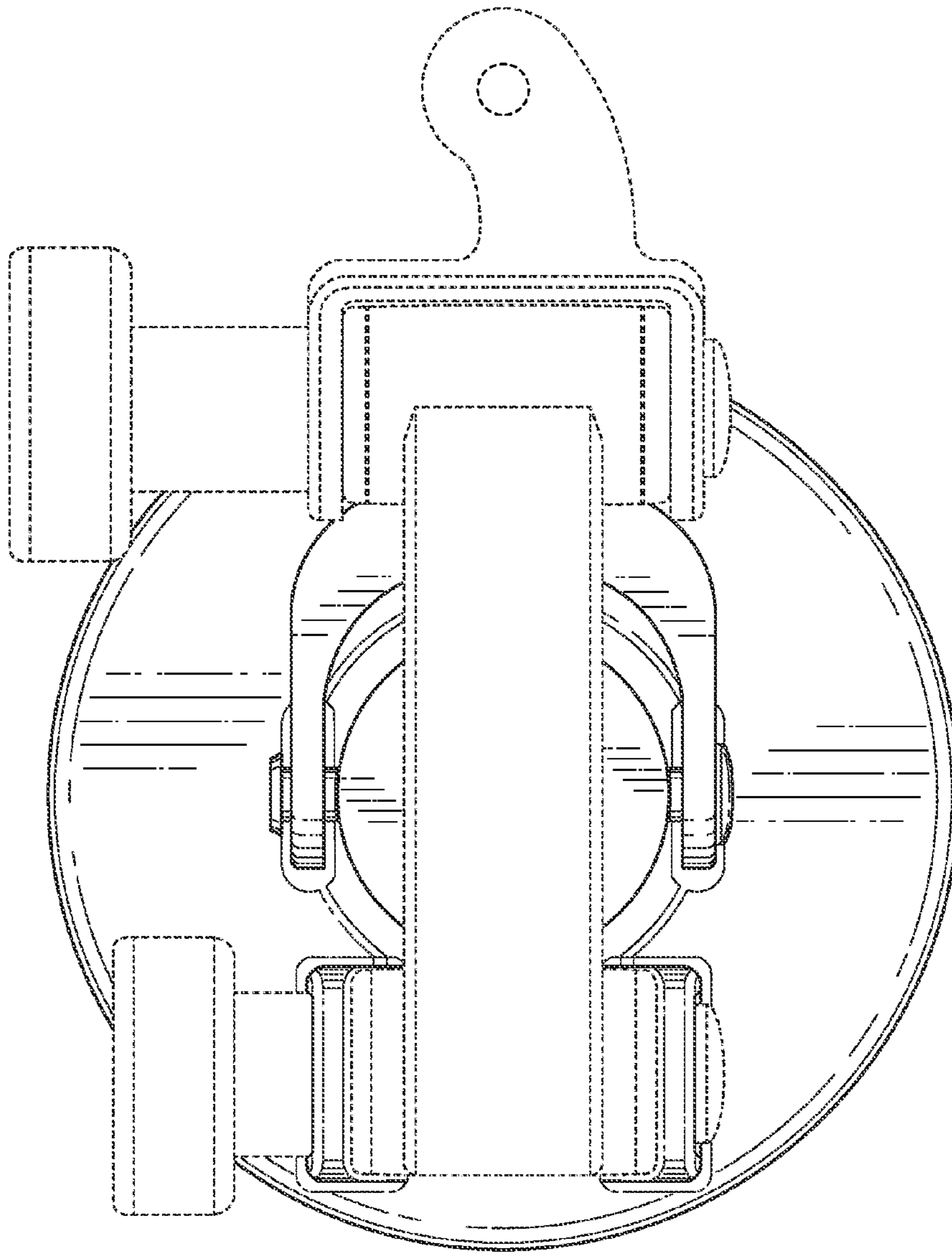


FIG. 3

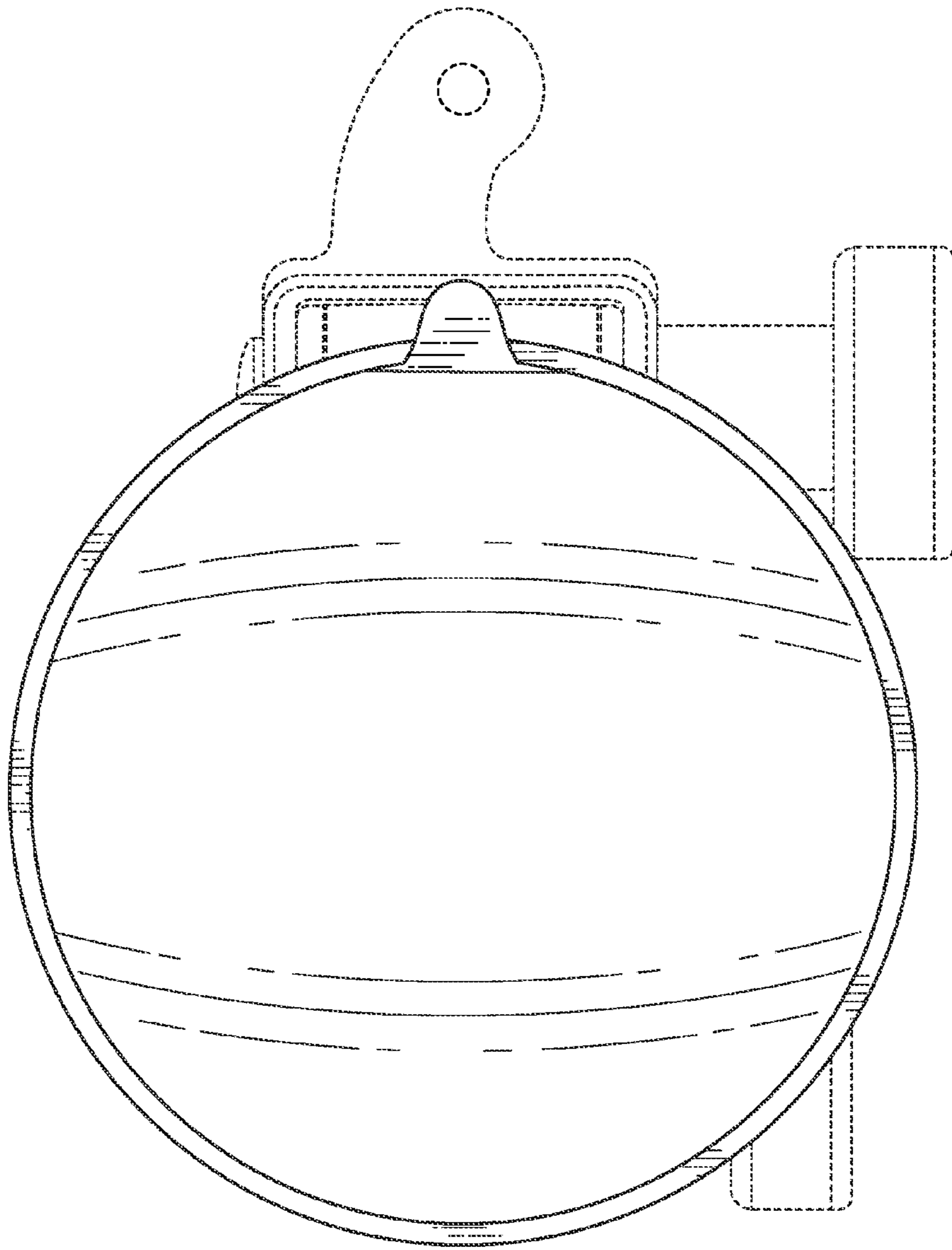


FIG. 4

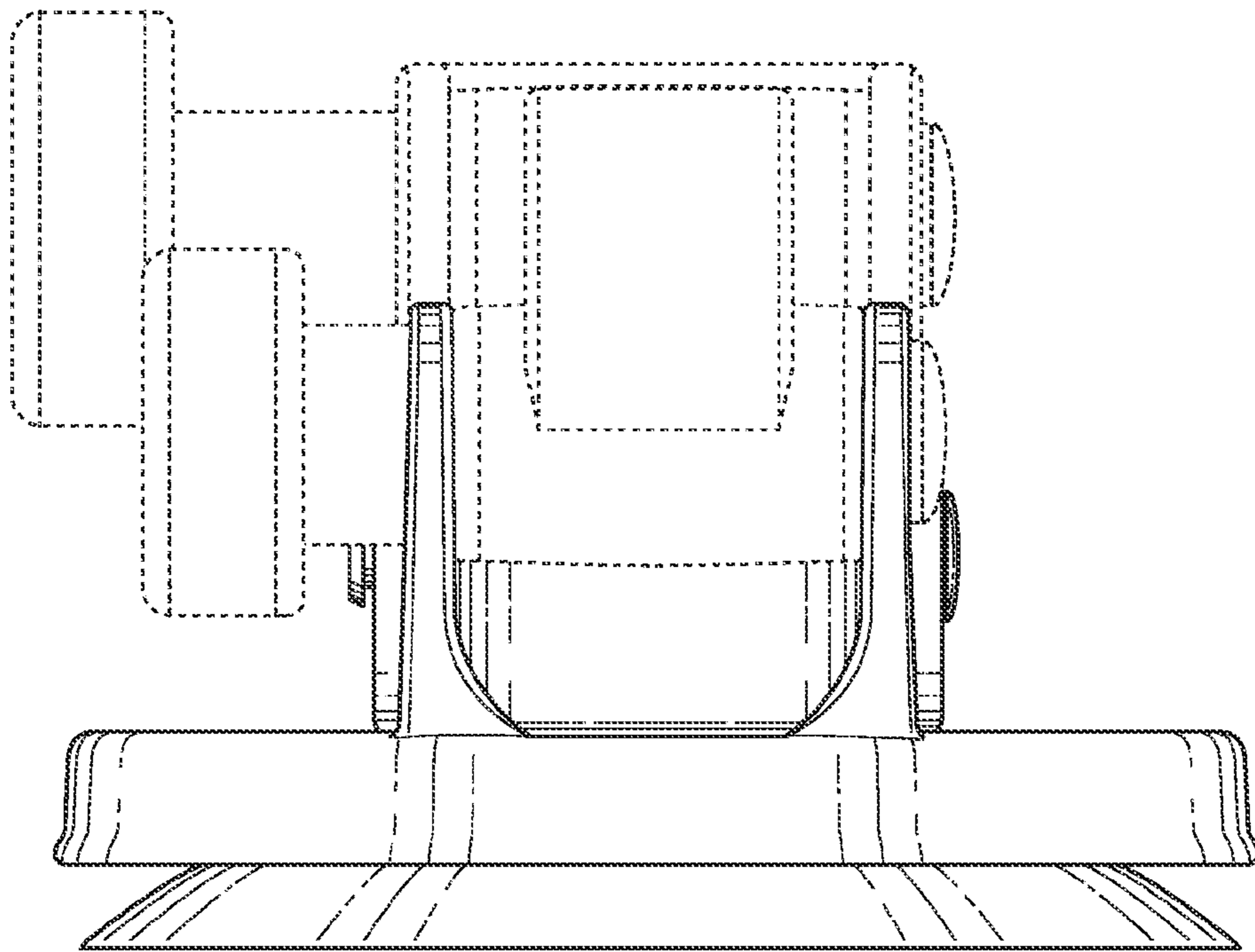


FIG. 5

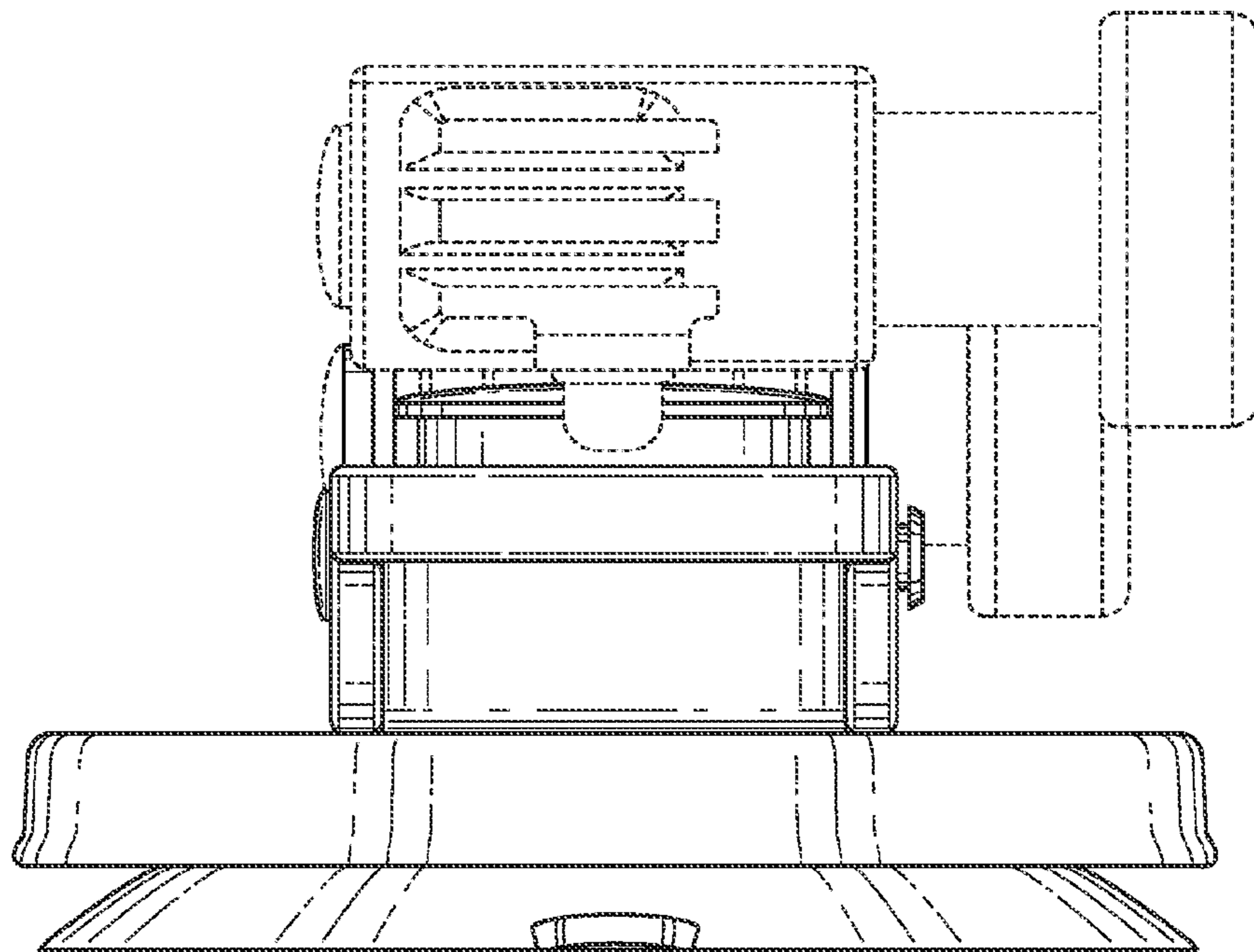


FIG. 6

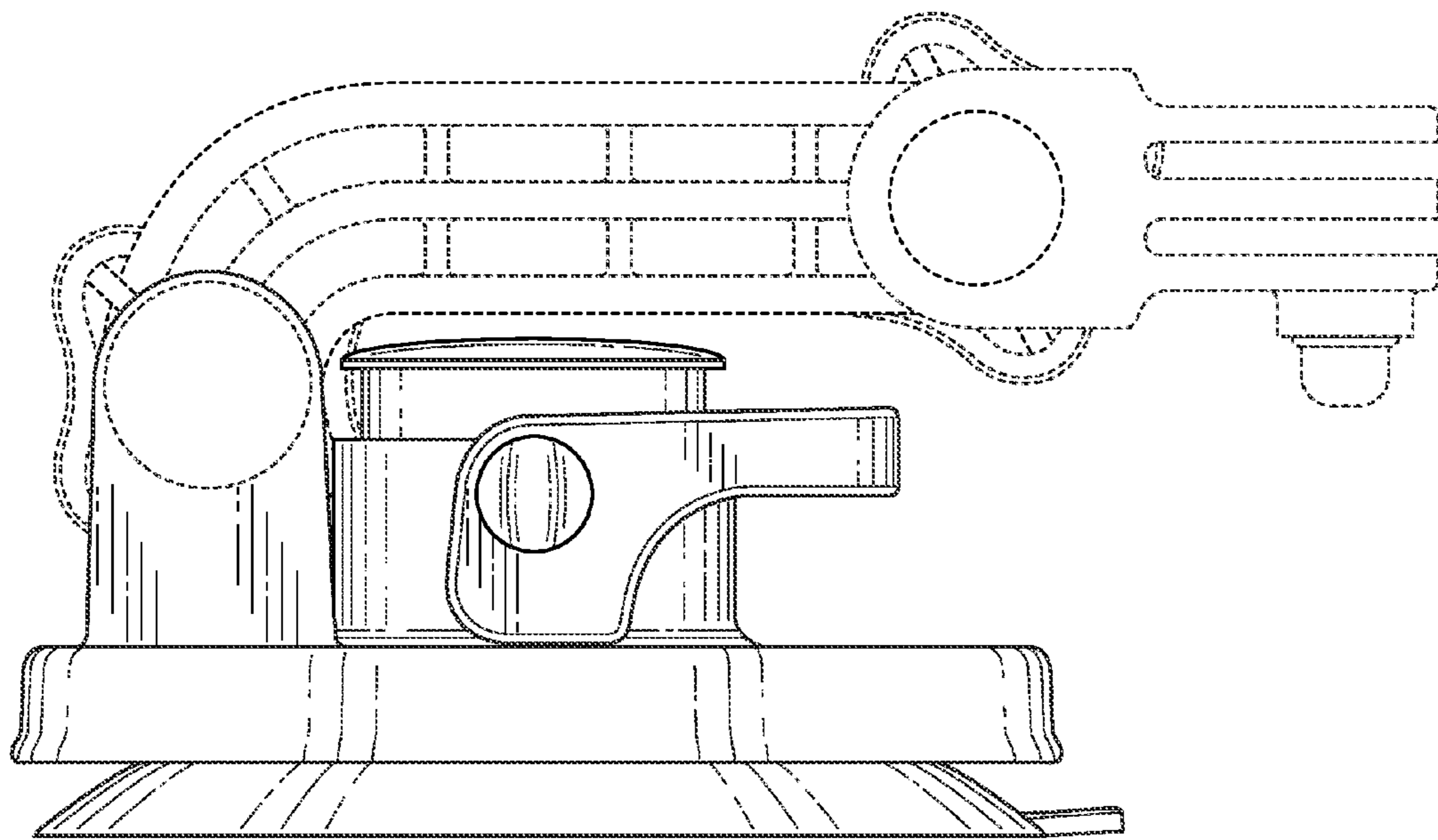


FIG. 7

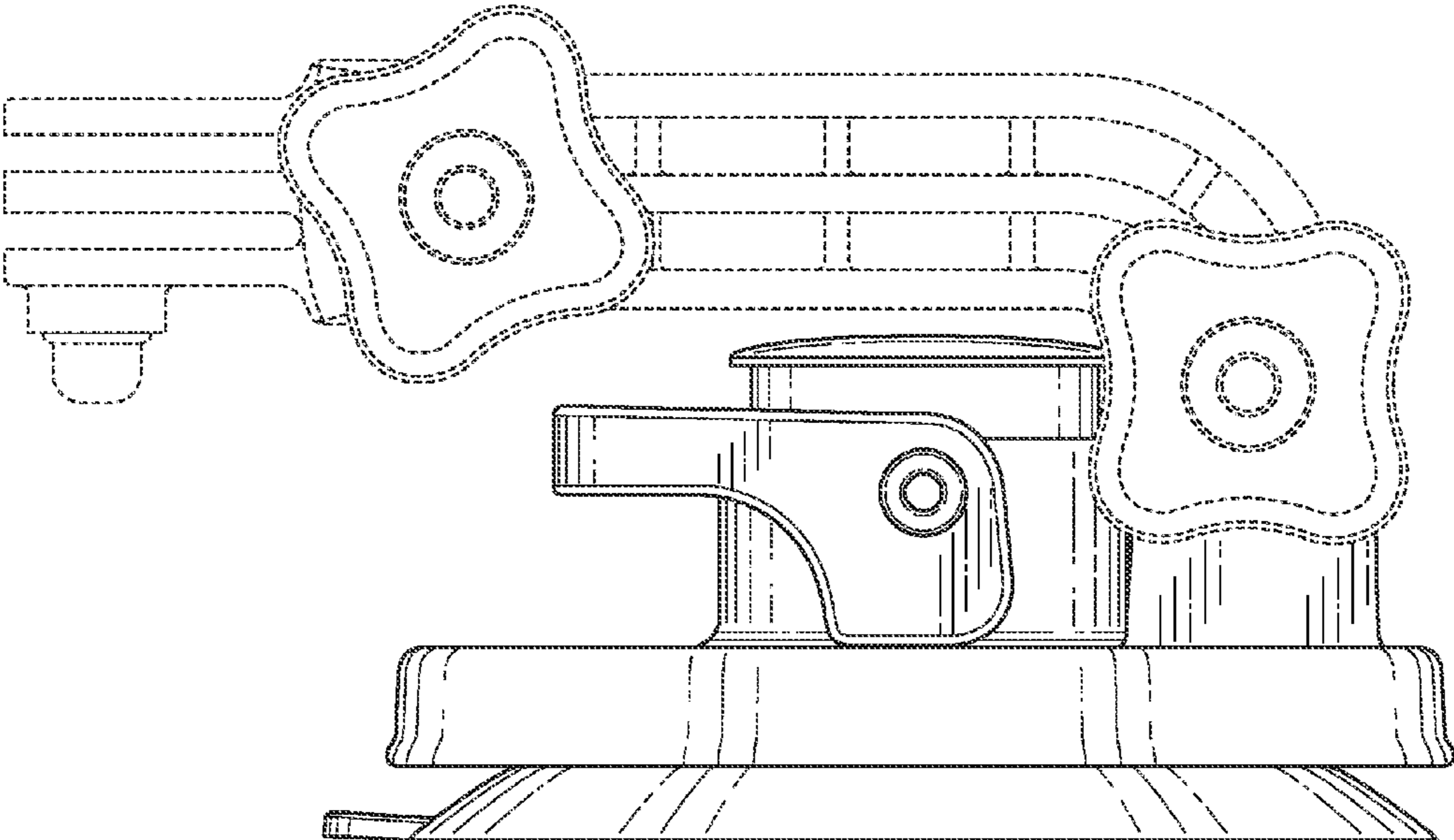


FIG. 8

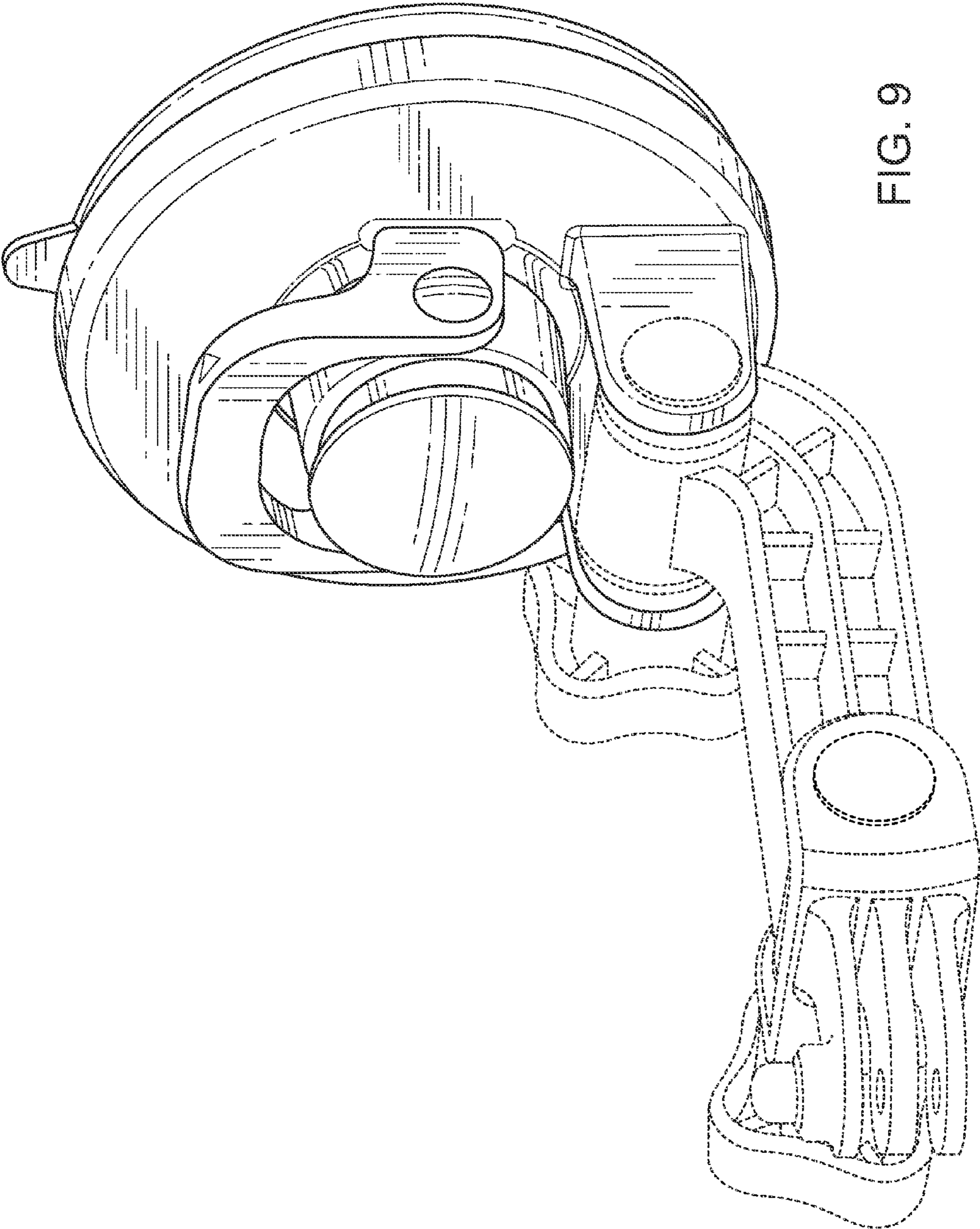


FIG. 9

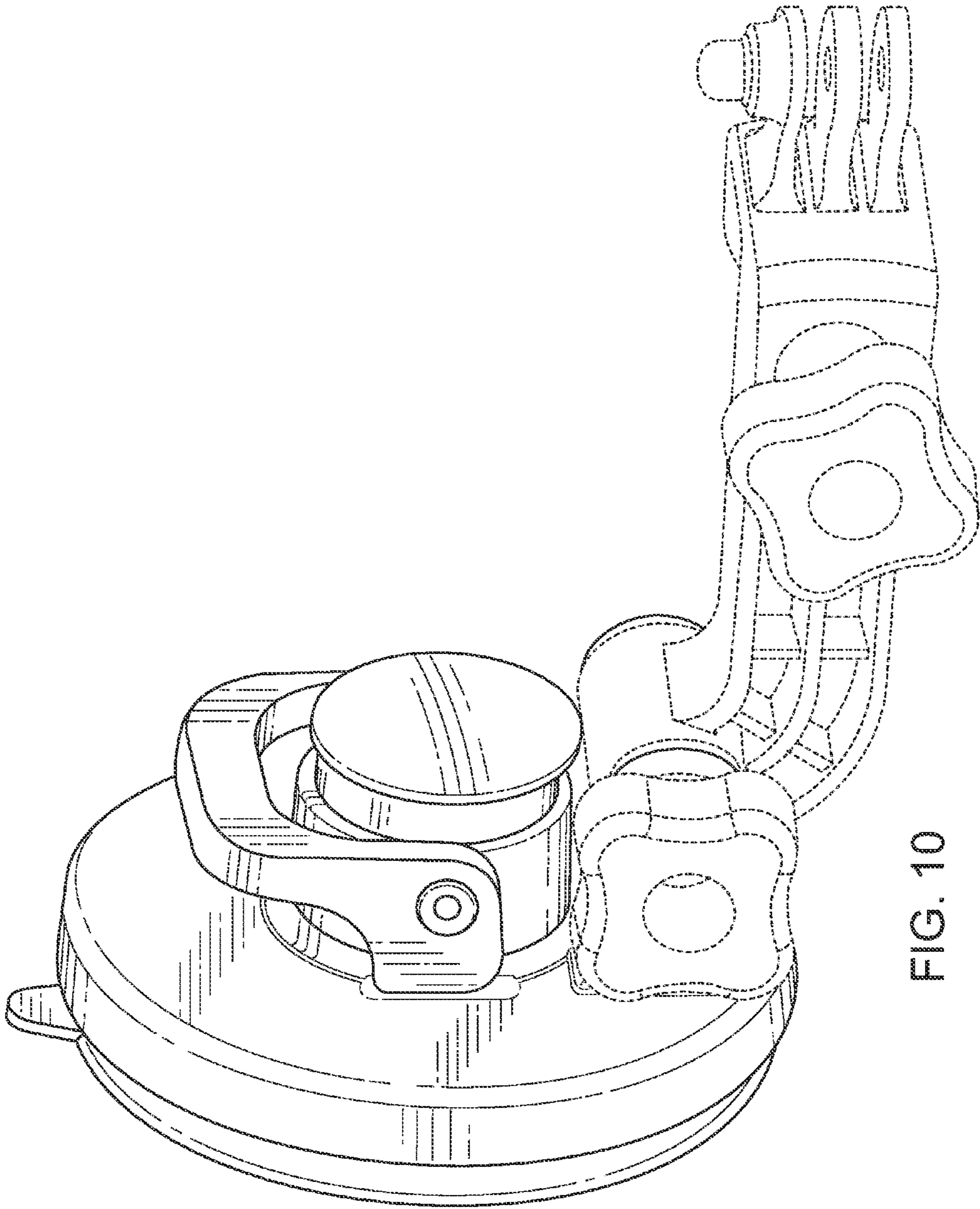


FIG. 10

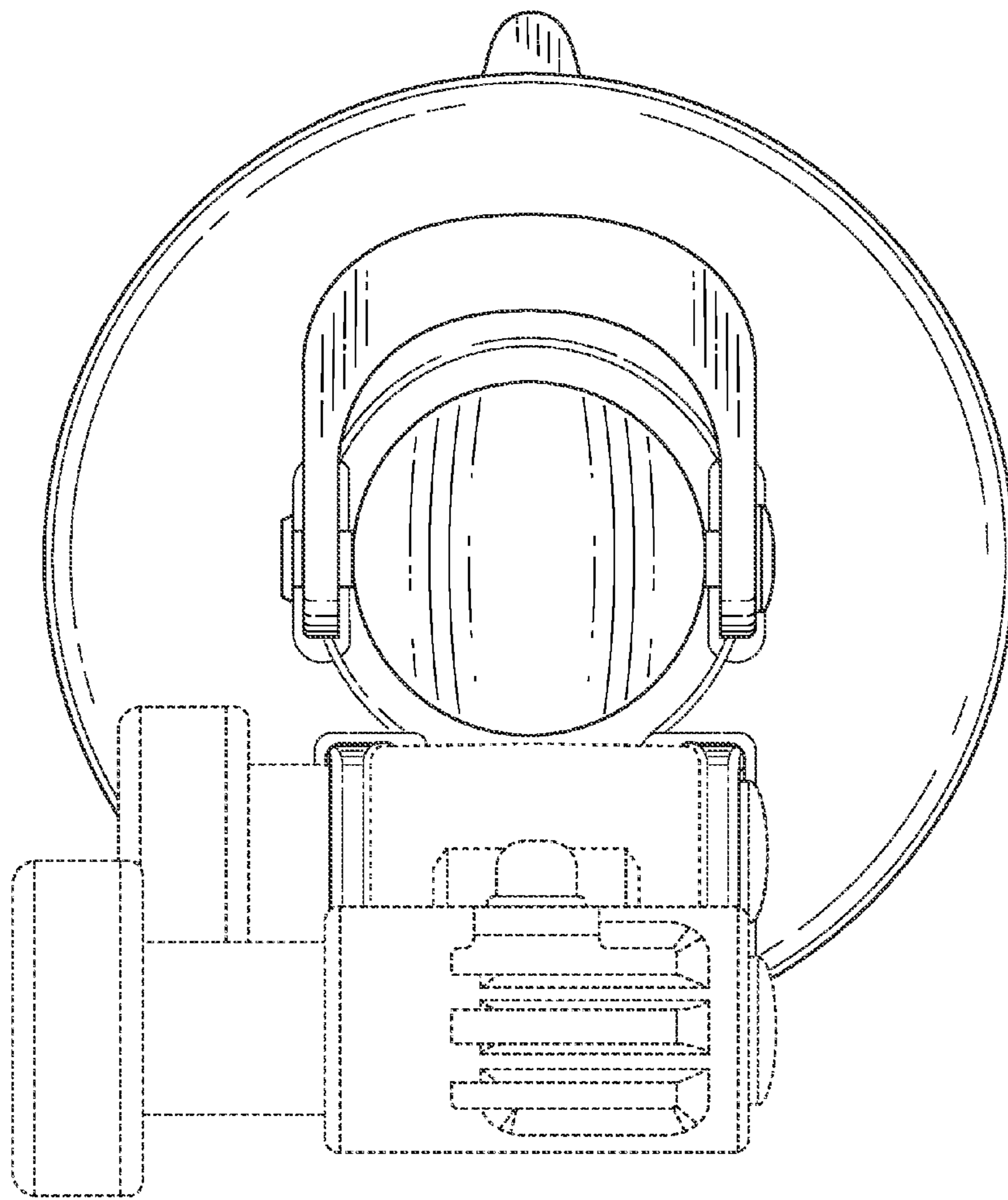


FIG. 11

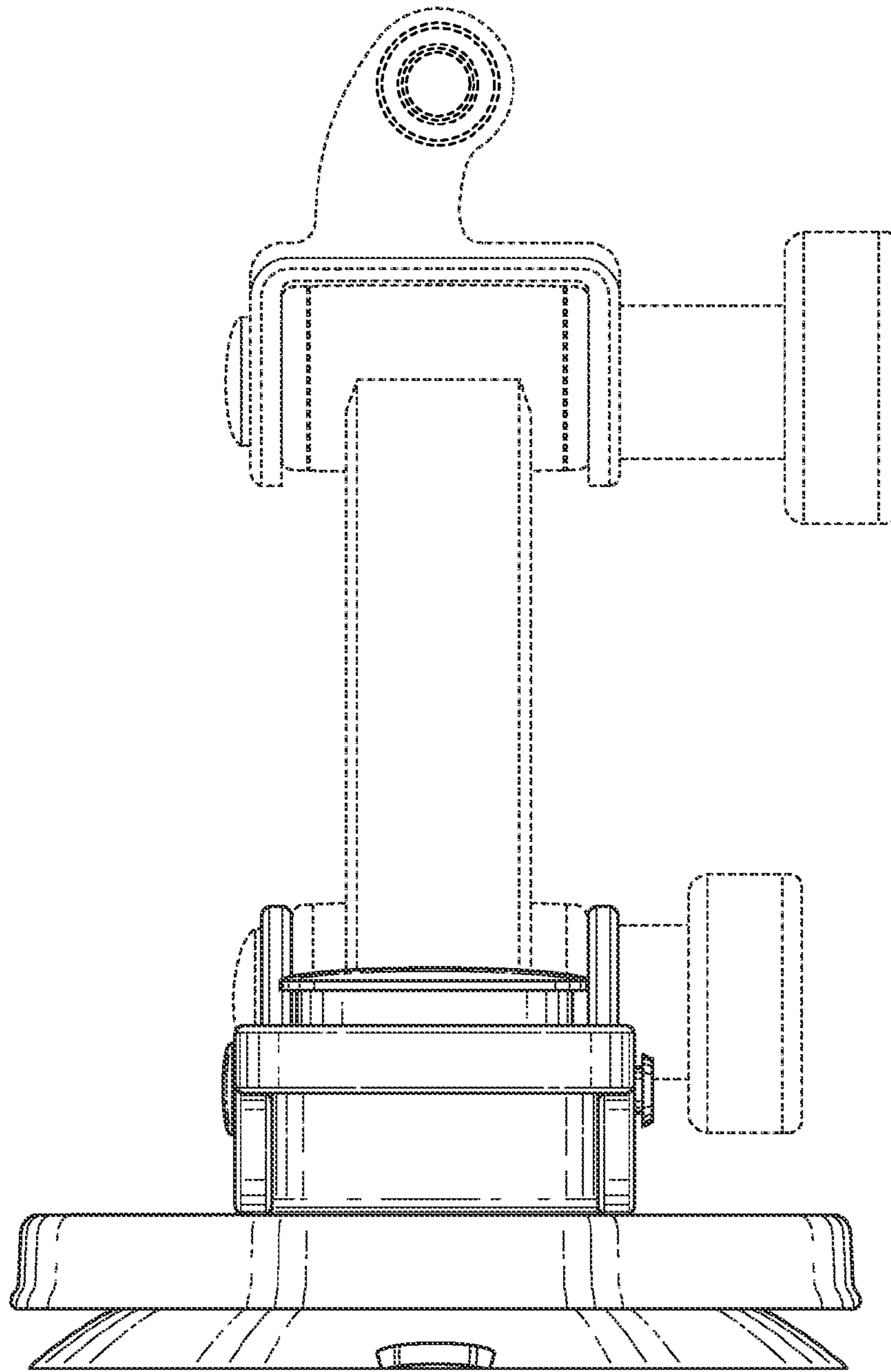


FIG. 12

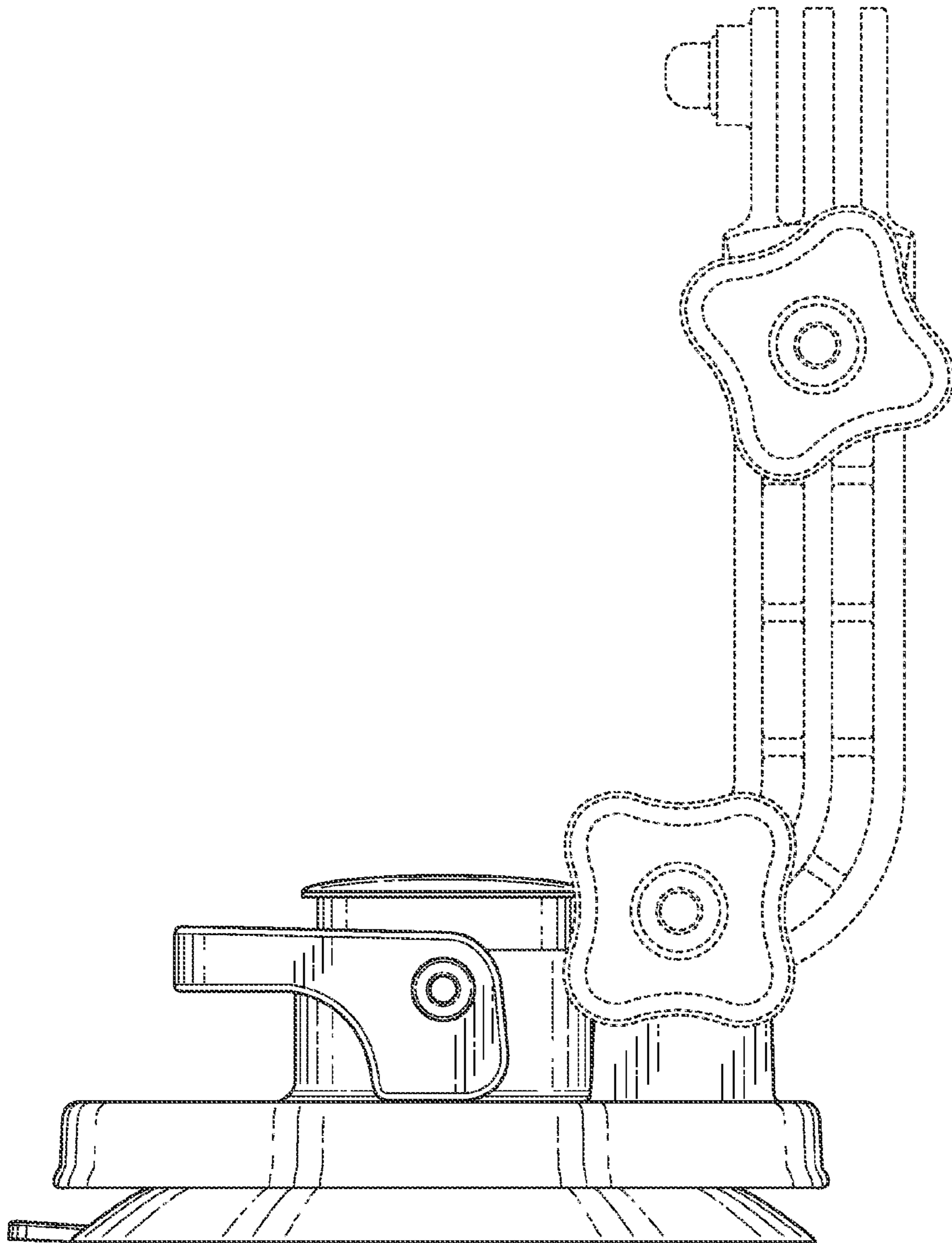


FIG. 13

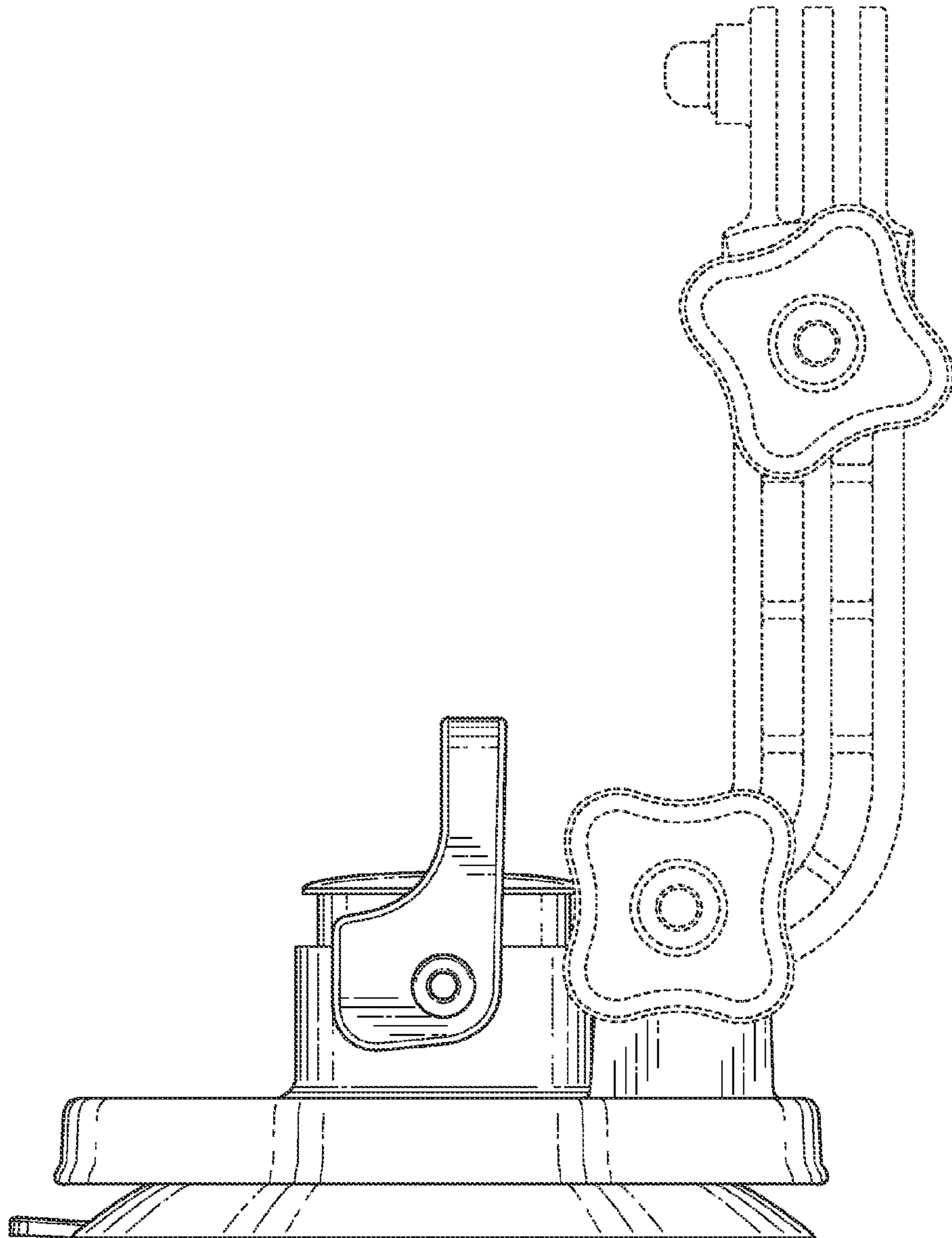


FIG. 14

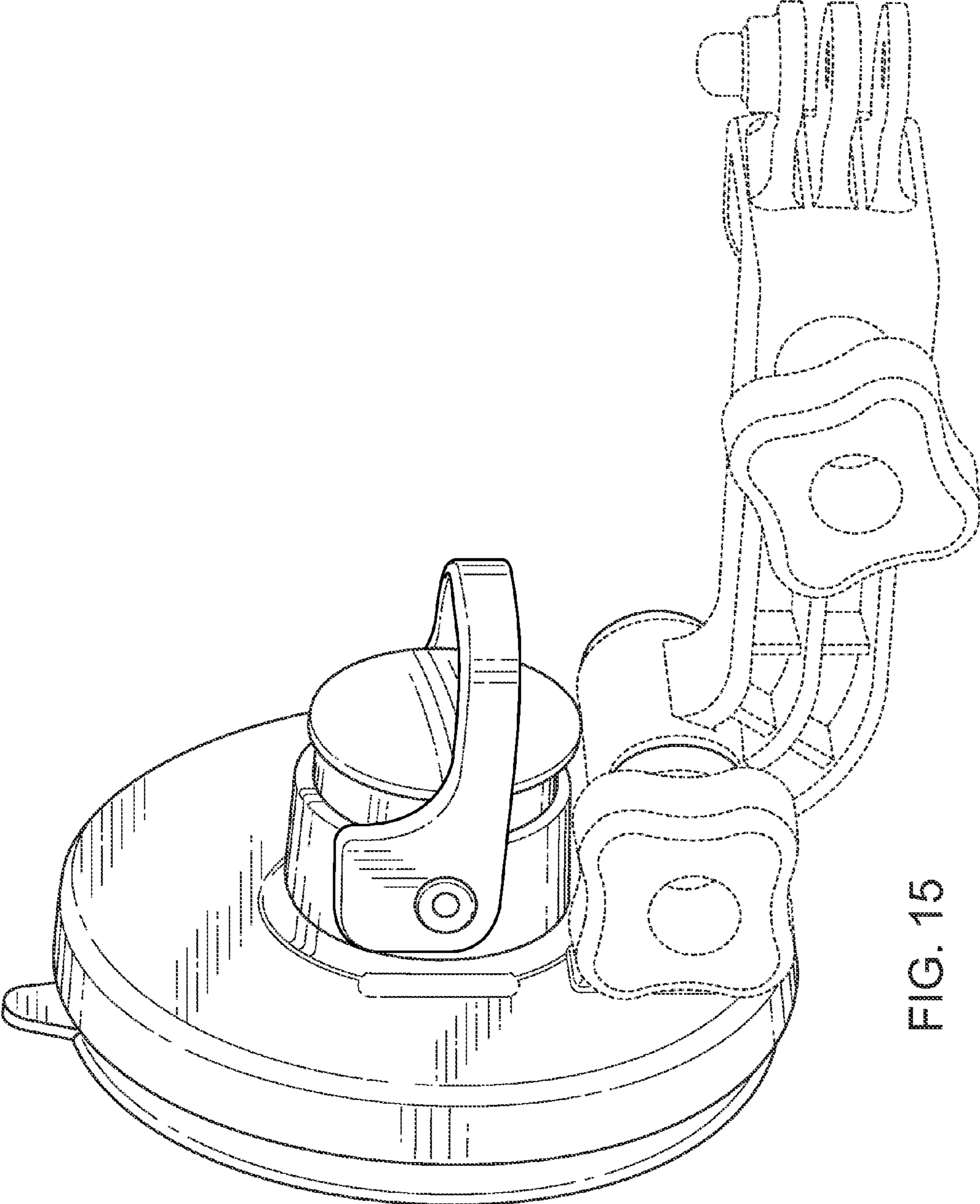


FIG. 15

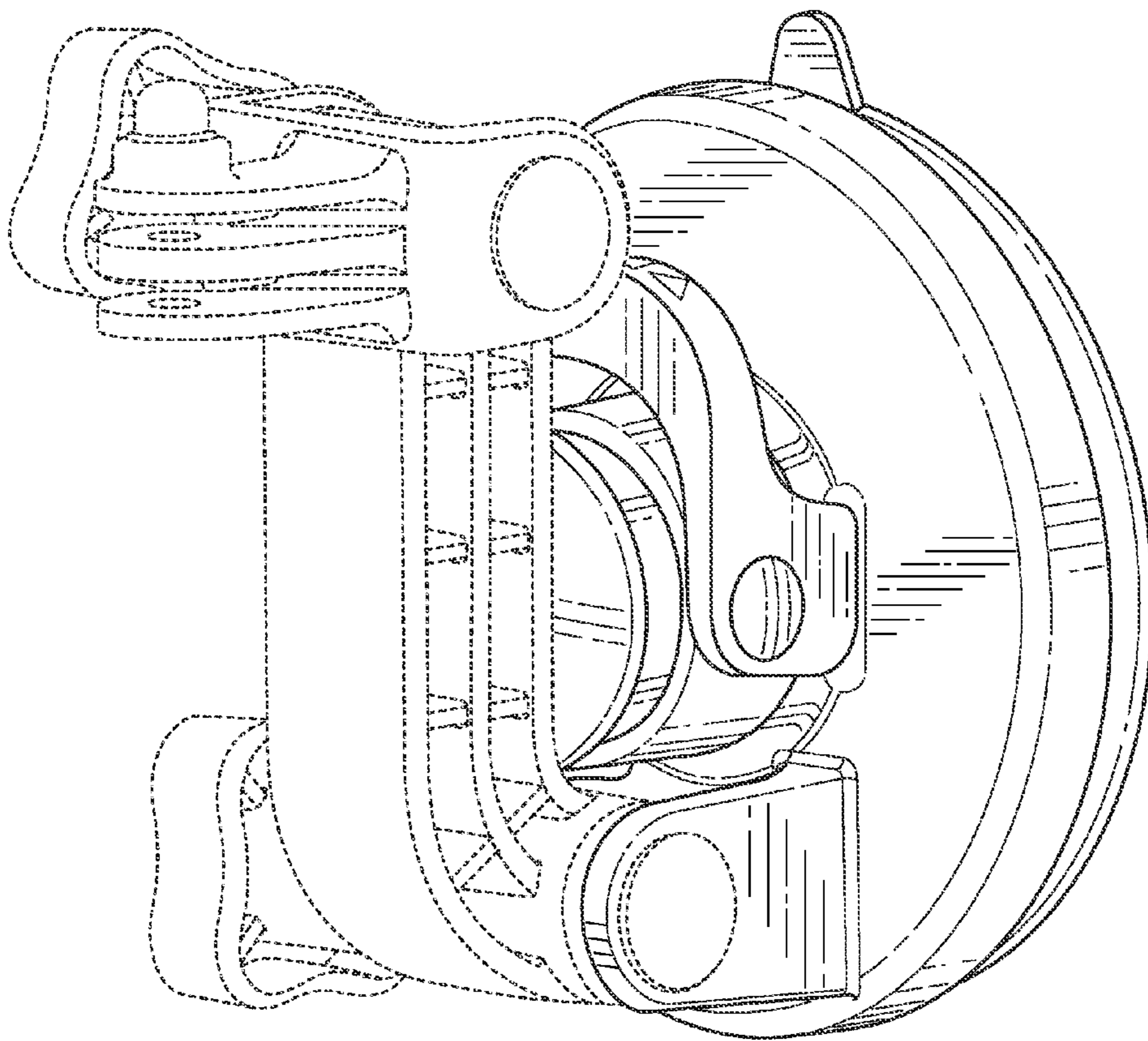


FIG. 16

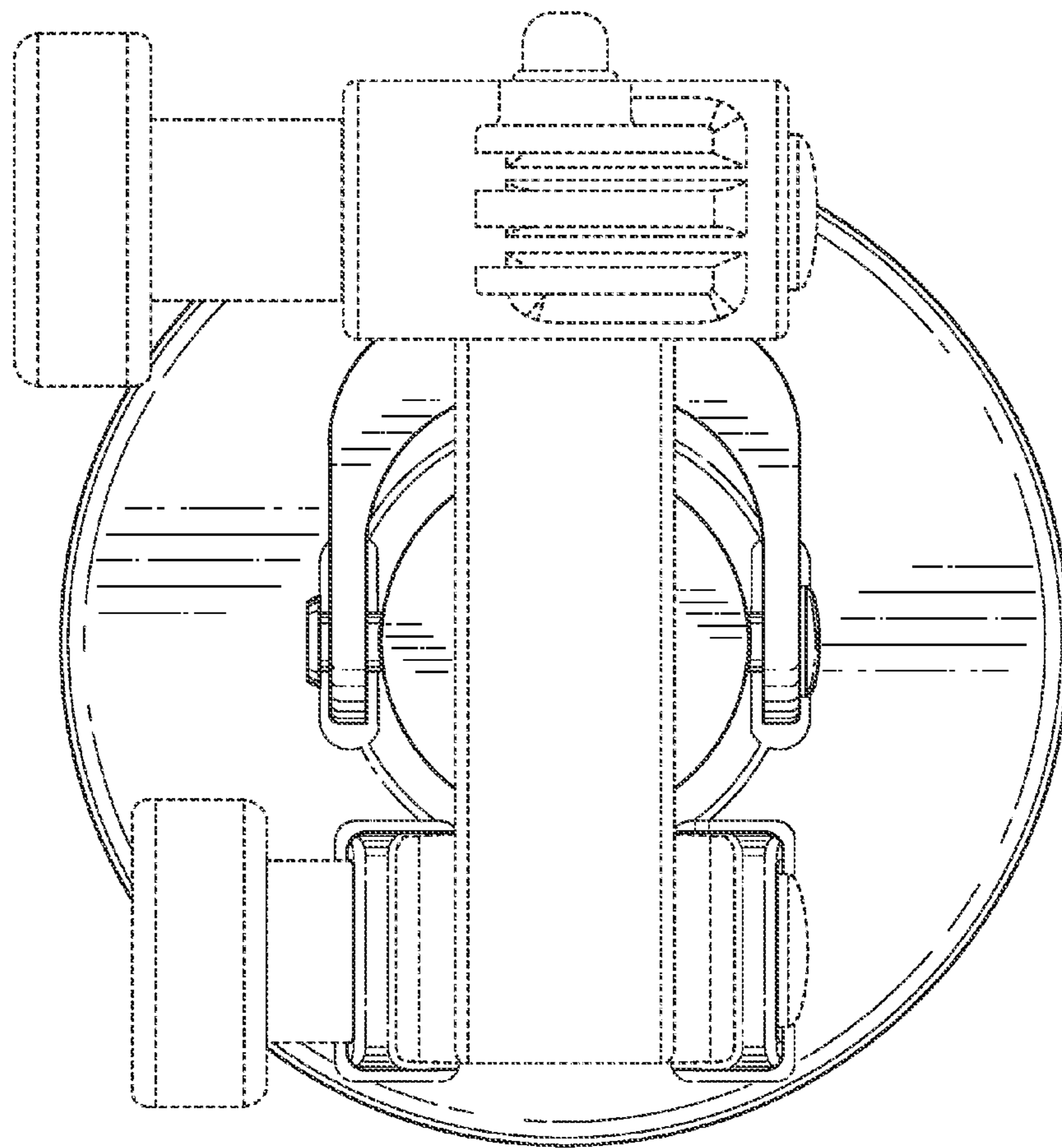


FIG. 17

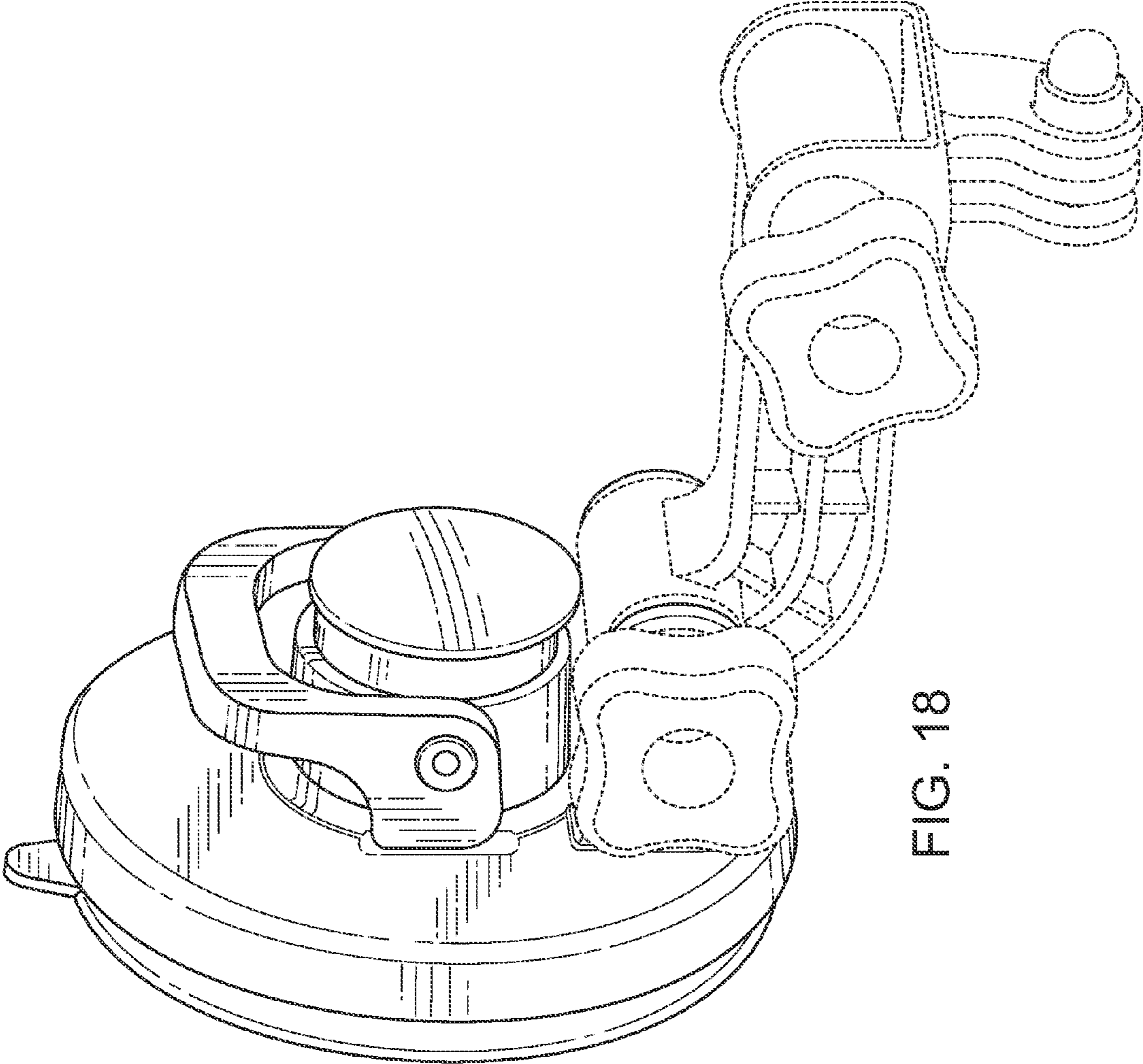


FIG. 18