



US00D698849S

(12) **United States Design Patent**
Li

(10) **Patent No.:** **US D698,849 S**

(45) **Date of Patent:** **** Feb. 4, 2014**

(54) **LIGHT DIFFUSER**

(76) Inventor: **Bing Li, Shenzhen (CN)**

(**) Term: **14 Years**

(21) Appl. No.: **29/408,902**

(22) Filed: **Dec. 19, 2011**

(30) **Foreign Application Priority Data**

Jun. 27, 2011 (CN) 2011 3 0197528

(51) **LOC (10) Cl.** **16-05**

(52) **U.S. Cl.**
USPC **D16/237**

(58) **Field of Classification Search**
USPC D16/200–204, 208, 214, 219, 235, 237,
D16/242–245, 250; D14/217, 511;
248/176.1, 177.1, 178.1, 179.1, 180.1,
248/183.1, 187.1, 683; 362/16, 17, 200,
362/322, 352, 450, 516, 847; 396/419–428;
D26/85–87, 113, 118, 122–124, 128

See application file for complete search history.

(56) **References Cited**

U.S. PATENT DOCUMENTS

D91,915 S	4/1934	Wise	
D204,302 S	4/1966	Pauli	
D209,081 S	10/1967	Netland	
4,616,293 A	10/1986	Baliozian	
4,757,425 A	7/1988	Waltz	
D312,471 S	11/1990	Couch	
5,023,756 A	6/1991	Regester	
D329,104 S	9/1992	Dieperink	
5,154,503 A	10/1992	Sternsher	
5,311,409 A	5/1994	King	
D373,132 S	8/1996	Baillie-Hamilton et al.	
D399,862 S	10/1998	Baliozian	
5,839,006 A	11/1998	Beckerman	
D439,364 S *	3/2001	Avigor	D26/118
6,411,778 B1	6/2002	Peterson	
6,733,145 B2	5/2004	Shirilla	
D501,947 S	2/2005	Haugaard et al.	
D522,680 S	6/2006	Stephant	
D527,134 S	8/2006	Bagen	

D551,385 S *	9/2007	Huang	D26/118
D565,229 S	3/2008	Haugaard et al.	
D570,516 S	6/2008	Orellana	
D588,292 S	3/2009	Sabernig	
D619,297 S *	7/2010	Huang	D26/118
D622,897 S *	8/2010	Unsworth	D26/124
7,773,869 B2	8/2010	Zou	
7,810,941 B2	10/2010	Capozzi	
D632,831 S *	2/2011	Baker et al.	D26/118
D636,110 S *	4/2011	Hsieh	D26/118
D641,100 S	7/2011	Li	
D654,212 S *	2/2012	Blum et al.	D26/118
D671,587 S *	11/2012	Li	D16/237
2008/0181598 A1	7/2008	Kobre	
2008/0204883 A1	8/2008	Fong	

FOREIGN PATENT DOCUMENTS

CN	301404282 S	12/2010
CN	201696908 U	1/2011
CN	301493545 S	3/2011
CN	301600070 S	6/2011
CN	301600071 S	6/2011
CN	301695754 S	10/2011
WO	WO 2011/124004	10/2010

* cited by examiner

Primary Examiner — Susan Bennett Hattan

Assistant Examiner — Vy Koenig

(57) **CLAIM**

The ornamental design for a light diffuser, as shown and described.

DESCRIPTION

FIG. 1 is a view of the right side of the first embodiment of the light diffuser.

FIG. 2 is a view of the left side of the first embodiment of the light diffuser.

FIG. 3 is a view of the front side of the first embodiment of the light diffuser.

FIG. 4 is a view of the back side of the first embodiment of the light diffuser.

FIG. 5 is a view of the top side of the first embodiment of the light diffuser.

FIG. 6 is a view of the bottom side of the first embodiment of the light diffuser.

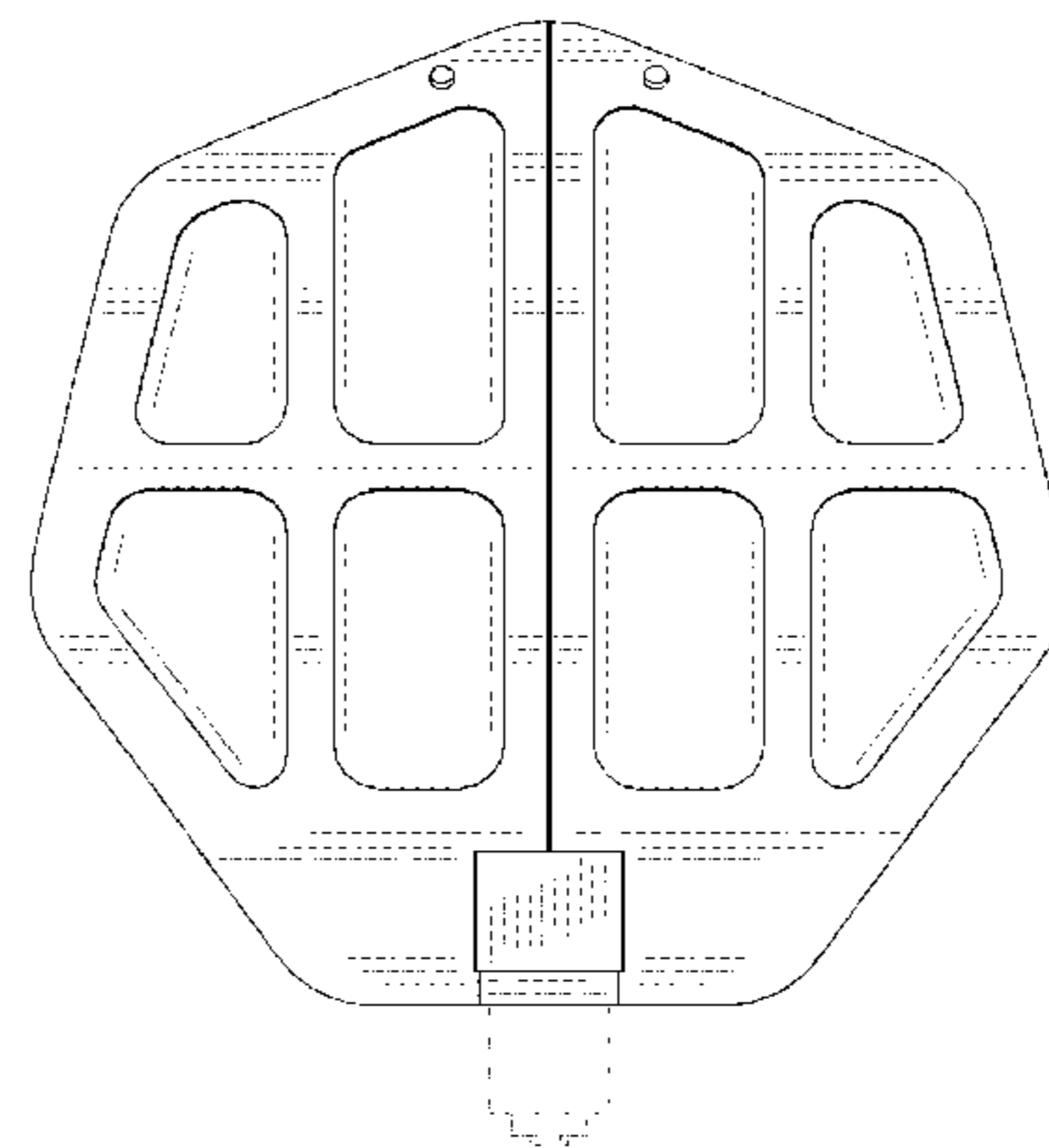
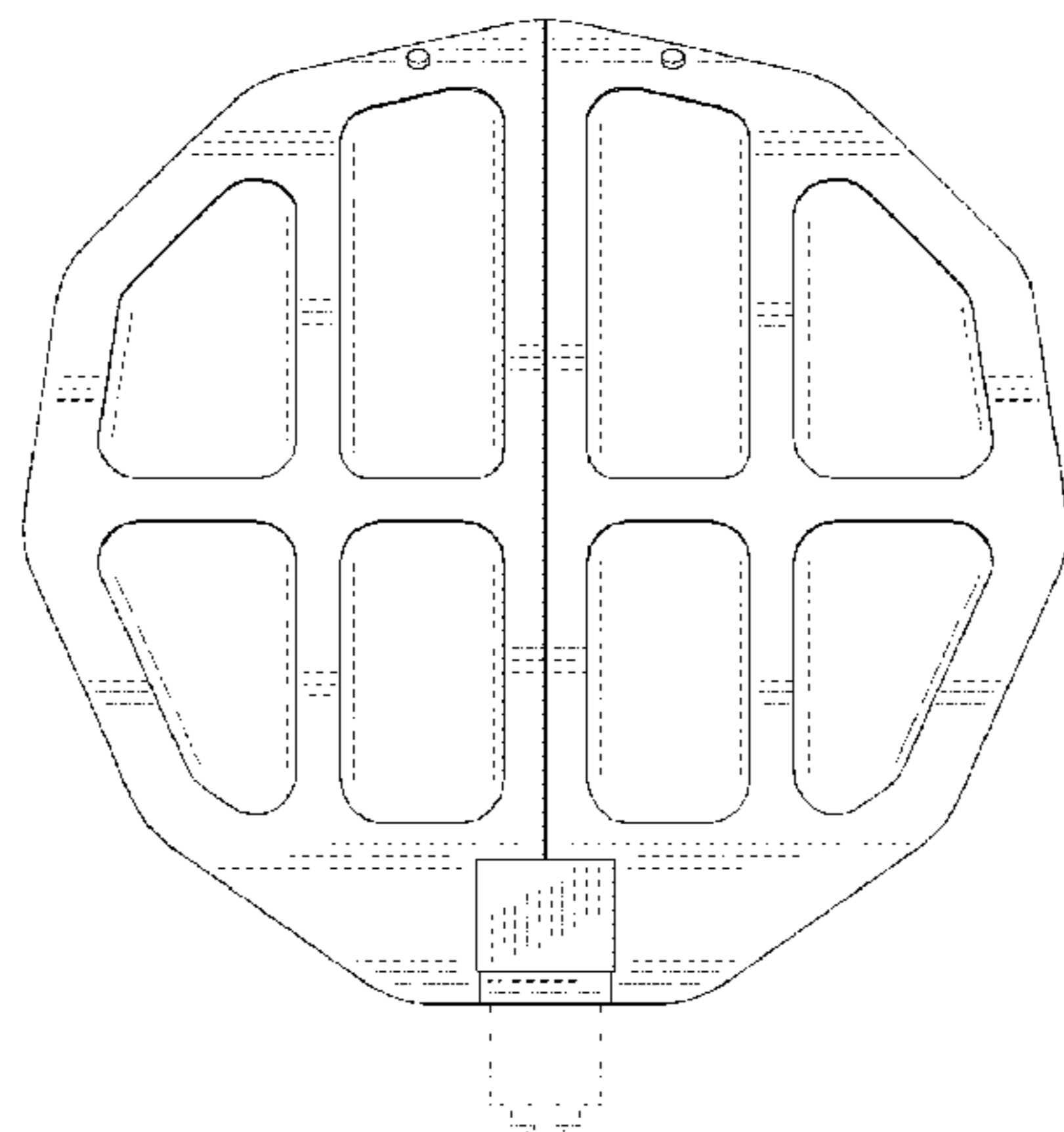


FIG. 7 is a perspective view at an angle of the top of the left side of the first embodiment of the light diffuser.

FIG. 8 is a perspective view at an angle of the front of the bottom side of the first embodiment of the light diffuser.

FIG. 9 is a view of the right side of the second embodiment of the light diffuser.

FIG. 10 is a view of the left side of the second embodiment of the light diffuser.

FIG. 11 is a view of the front side of the second embodiment of the light diffuser.

FIG. 12 is a view of the back side of the second embodiment of the light diffuser.

FIG. 13 is a view of the top side of the second embodiment of the light diffuser.

FIG. 14 is a view of the bottom side of the second embodiment of the light diffuser.

FIG. 15 is a perspective view at an angle of the top of the left side of the second embodiment of the light diffuser.

FIG. 16 is a perspective view at an angle of the front of the bottom side of the second embodiment of the light diffuser.

FIG. 17 is a view of the right side of the third embodiment of the light diffuser.

FIG. 18 is a view of the left side of the third embodiment of the light diffuser.

FIG. 19 is a view of the front side of the third embodiment of the light diffuser.

FIG. 20 is a view of the back side of the third embodiment of the light diffuser.

FIG. 21 is a view of the top side of the third embodiment of the light diffuser.

FIG. 22 is a view of the bottom side of the third embodiment of the light diffuser.

FIG. 23 is a perspective view at an angle of the top of the left side of the third embodiment of the light diffuser.

FIG. 24 is a perspective view at an angle of the front of the bottom side of the third embodiment of the light diffuser.

FIG. 25 is a view of the right side of the fourth embodiment of the light diffuser.

FIG. 26 is a view of the left side of the fourth embodiment of the light diffuser.

FIG. 27 is a view of the front side of the fourth embodiment of the light diffuser.

FIG. 28 is a view of the back side of the fourth embodiment of the light diffuser.

FIG. 29 is a view of the top side of the fourth embodiment of the light diffuser.

FIG. 30 is a view of the bottom side of the fourth embodiment of the light diffuser.

FIG. 31 is a perspective view at an angle at an angle of the top of the left side of the fourth embodiment of the light diffuser.

FIG. 32 is a perspective view at an angle of the front of the bottom side of the fourth embodiment of the light diffuser.

FIG. 33 is a view of the right side of the fifth embodiment of the light diffuser.

FIG. 34 is a view of the left side of the fifth embodiment of the light diffuser.

FIG. 35 is a view of the front side of the fifth embodiment of the light diffuser.

FIG. 36 is a view of the back side of the fifth embodiment of the light diffuser.

FIG. 37 is a view of the top side of the fifth embodiment of the light diffuser.

FIG. 38 is a view of the bottom side of the fifth embodiment of the light diffuser.

FIG. 39 is a perspective view at an angle of the top of the left side of the fifth embodiment of the light diffuser.

FIG. 40 is a perspective view at an angle of the front of the bottom side of the fifth embodiment of the light diffuser.

FIG. 41 is a view of the right side of the sixth embodiment of the light diffuser.

FIG. 42 is a view of the left side of the sixth embodiment of the light diffuser.

FIG. 43 is a view of the front side of the sixth embodiment of the light diffuser.

FIG. 44 is a view of the back side of the sixth embodiment of the light diffuser.

FIG. 45 is a view of the top side of the sixth embodiment of the light diffuser.

FIG. 46 is a view of the bottom side of the sixth embodiment of the light diffuser.

FIG. 47 is a perspective view at an angle of the top of the left side of the sixth embodiment of the light diffuser.

FIG. 48 is a perspective view at an angle of the front of the bottom side of the sixth embodiment of the light diffuser.

FIG. 49 is a view of the right side of the seventh embodiment of the light diffuser.

FIG. 50 is a view of the left side of the seventh embodiment of the light diffuser.

FIG. 51 is a view of the front side of the seventh embodiment of the light diffuser.

FIG. 52 is a view of the back side of the seventh embodiment of the light diffuser.

FIG. 53 is a view of the top side of the seventh embodiment of the light diffuser.

FIG. 54 is a view of the bottom side of the seventh embodiment of the light diffuser.

FIG. 55 is a perspective view at an angle of the top of the left side of the seventh embodiment of the light diffuser.

FIG. 56 is a perspective view at an angle of the front of the bottom side of the seventh embodiment of the light diffuser.

FIG. 57 is a view of the right side of the eighth embodiment of the light diffuser.

FIG. 58 is a view of the left side of the eighth embodiment of the light diffuser.

FIG. 59 is a view of the front side of the eighth embodiment of the light diffuser.

FIG. 60 is a view of the back side of the eighth embodiment of the light diffuser.

FIG. 61 is a view of the top side of the eighth embodiment of the light diffuser.

FIG. 62 is a view of the bottom side of the eighth embodiment of the light diffuser.

FIG. 63 is a perspective view at an angle of the top of the left side of the eighth embodiment of the light diffuser; and,

FIG. 64 is a perspective view at an angle of the front of the bottom side of the eighth embodiment of the light diffuser.

The portions of the light diffuser drawn in phantom (using dashed lines) are not part of the design being claimed, and only indicate the environment of the claimed design of the light diffuser.

A light diffuser is a reflector that attaches to photography lighting via a connector to change the lighting diffuse effects of photography lighting (include the strobe flash or the LED light or the fluorescent lamp); it can also be used to change the lighting diffuse effects of camcorder lighting, illuminating lighting and stage lighting.

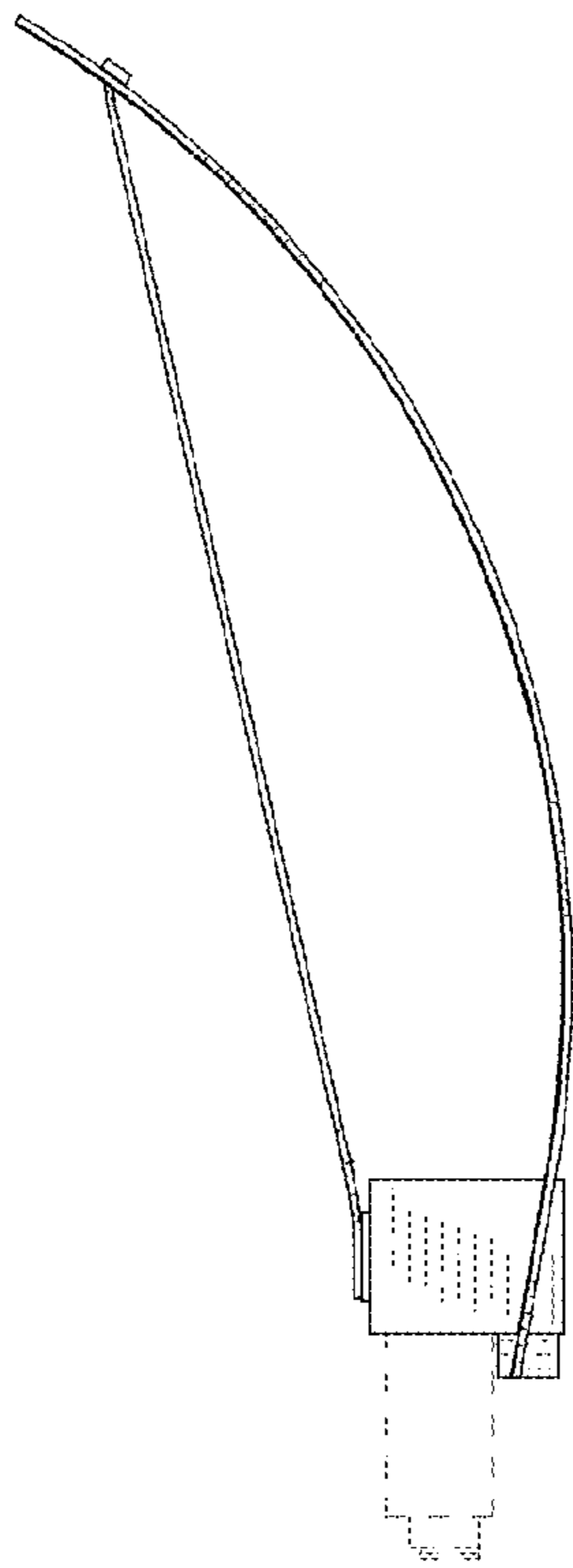


FIG. 1

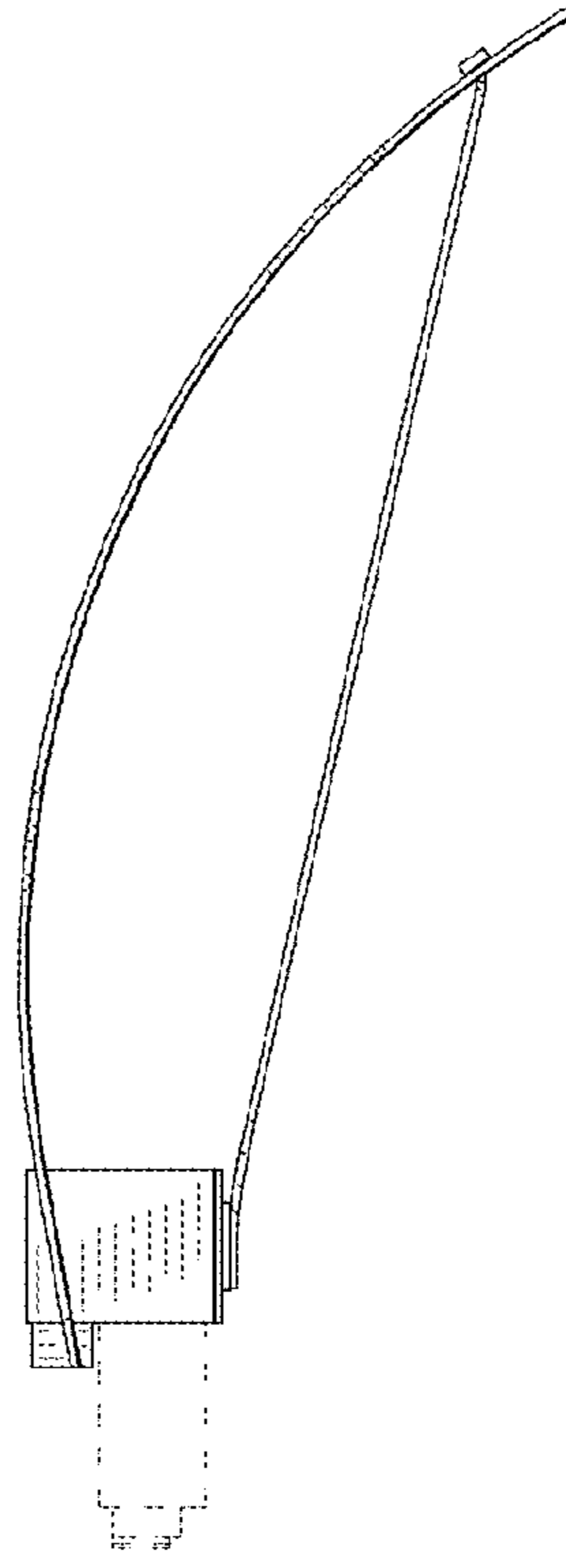


FIG. 2

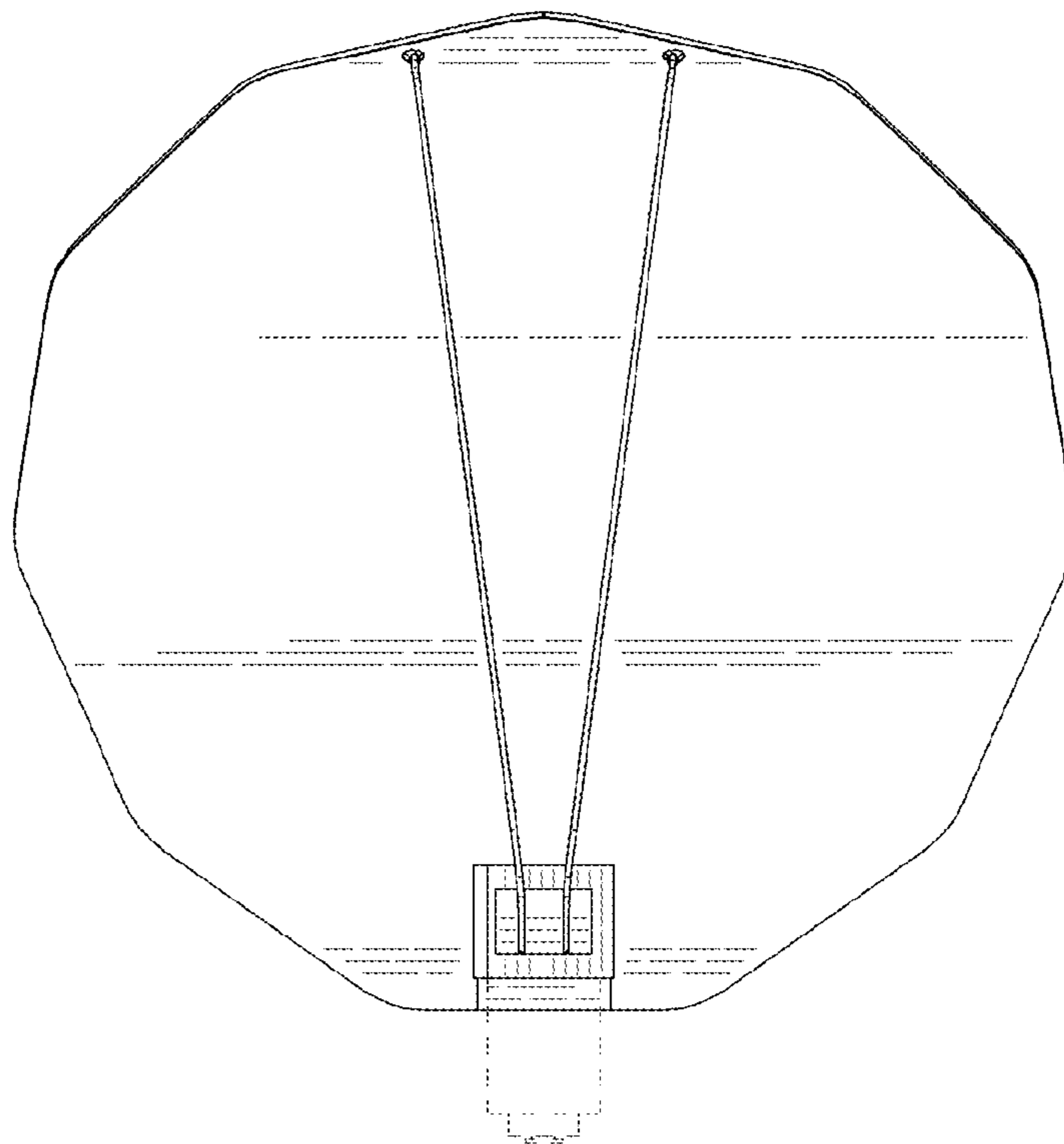


FIG. 3

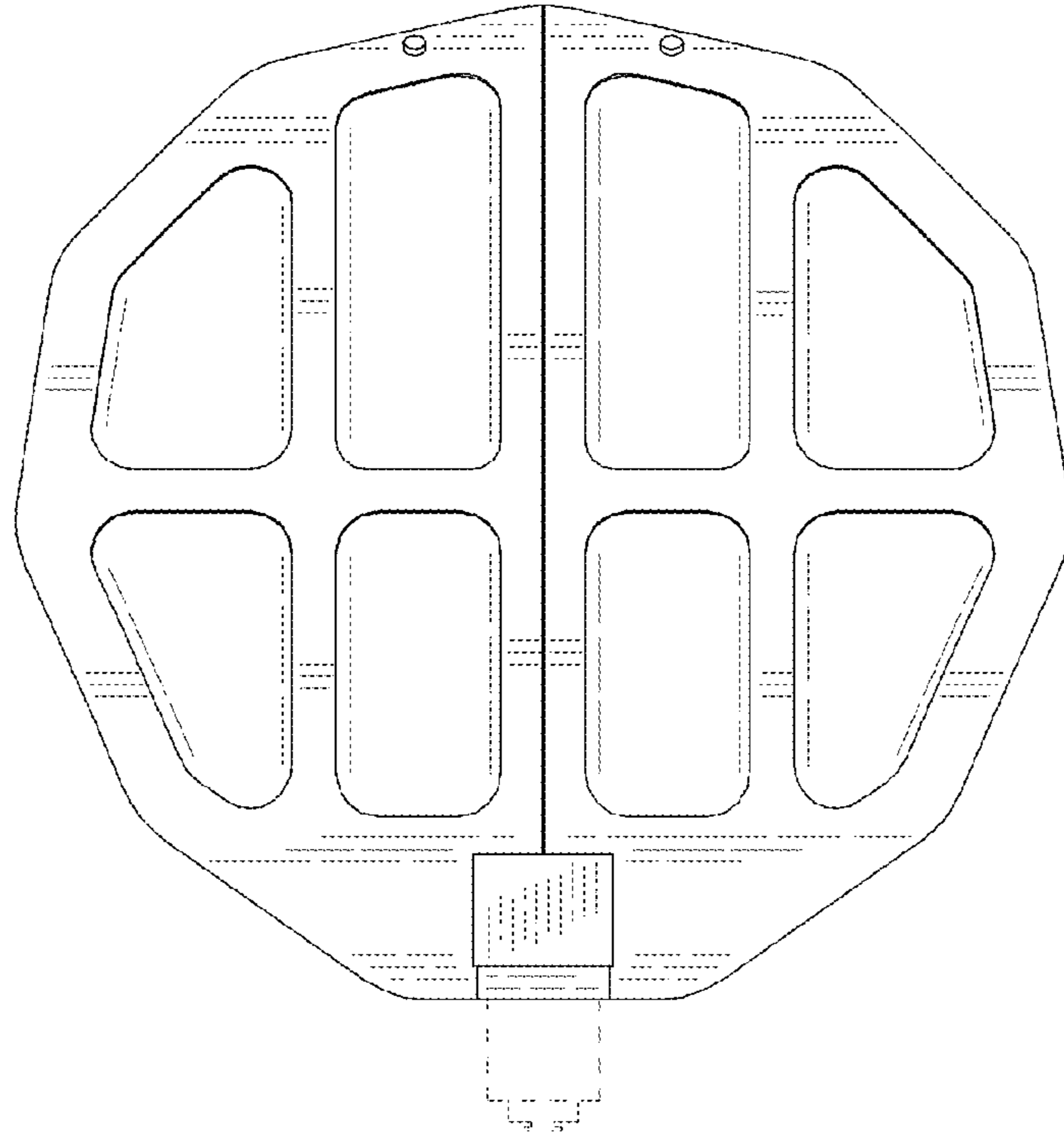


FIG. 4

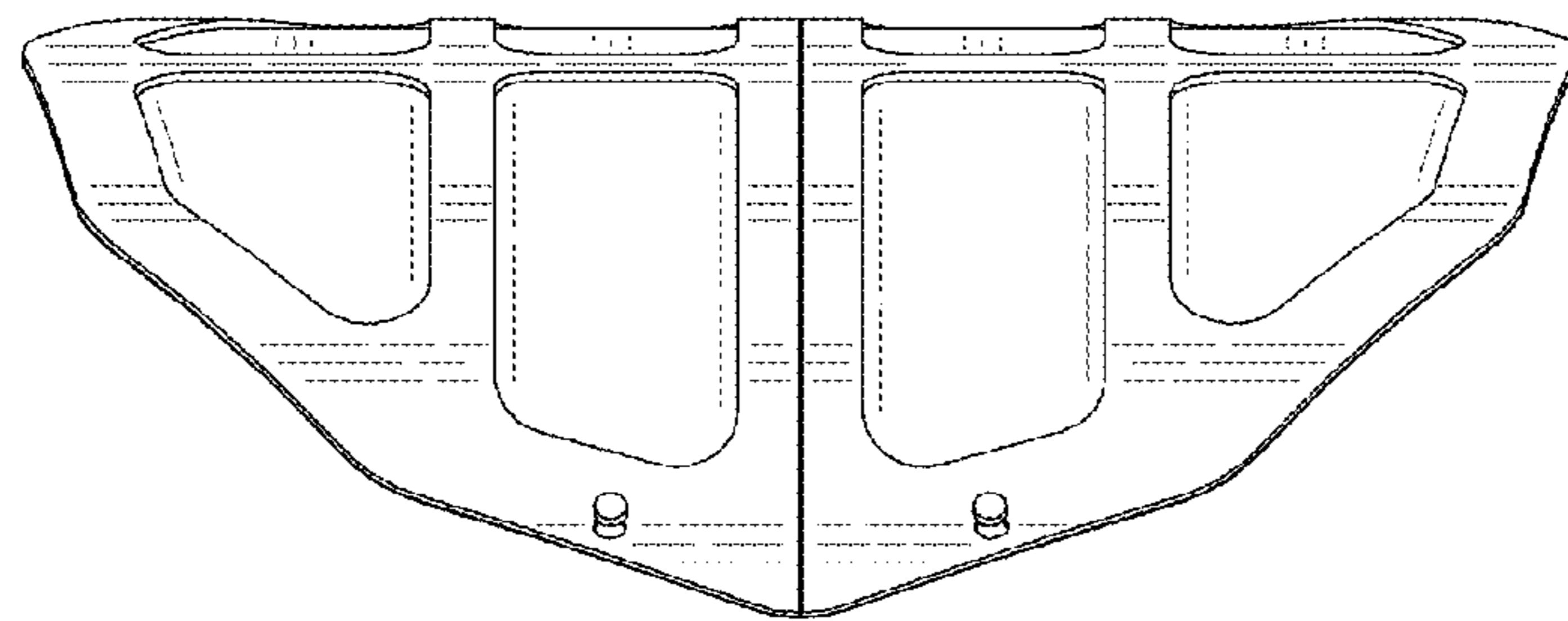


FIG. 5

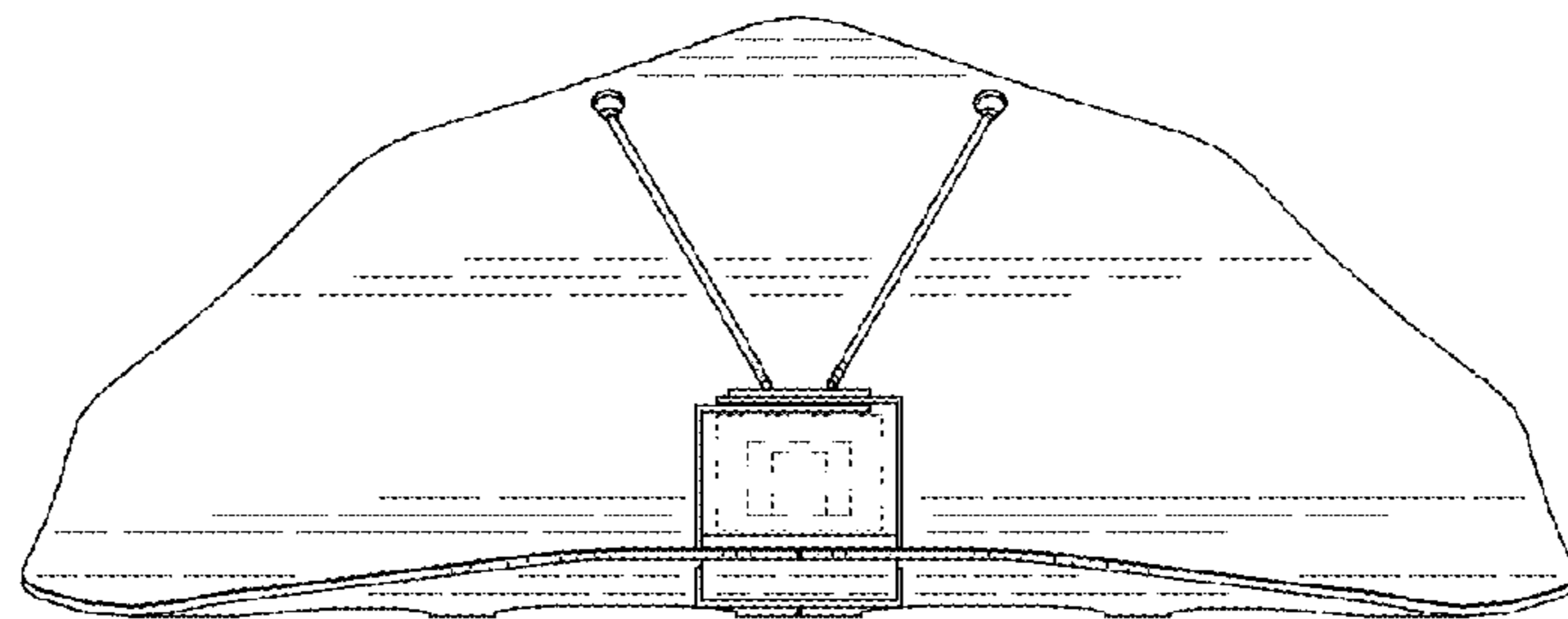


FIG. 6

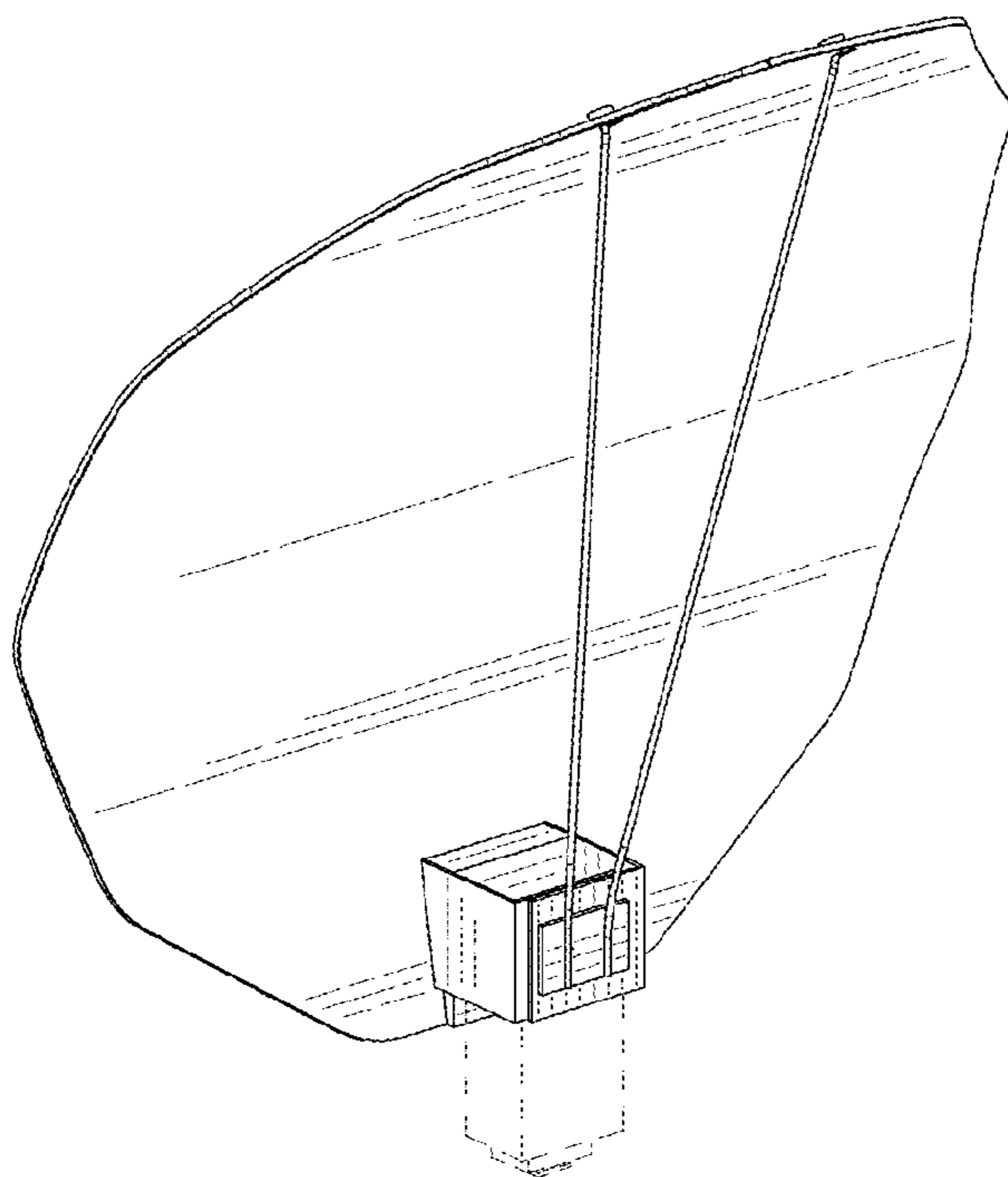


FIG. 7

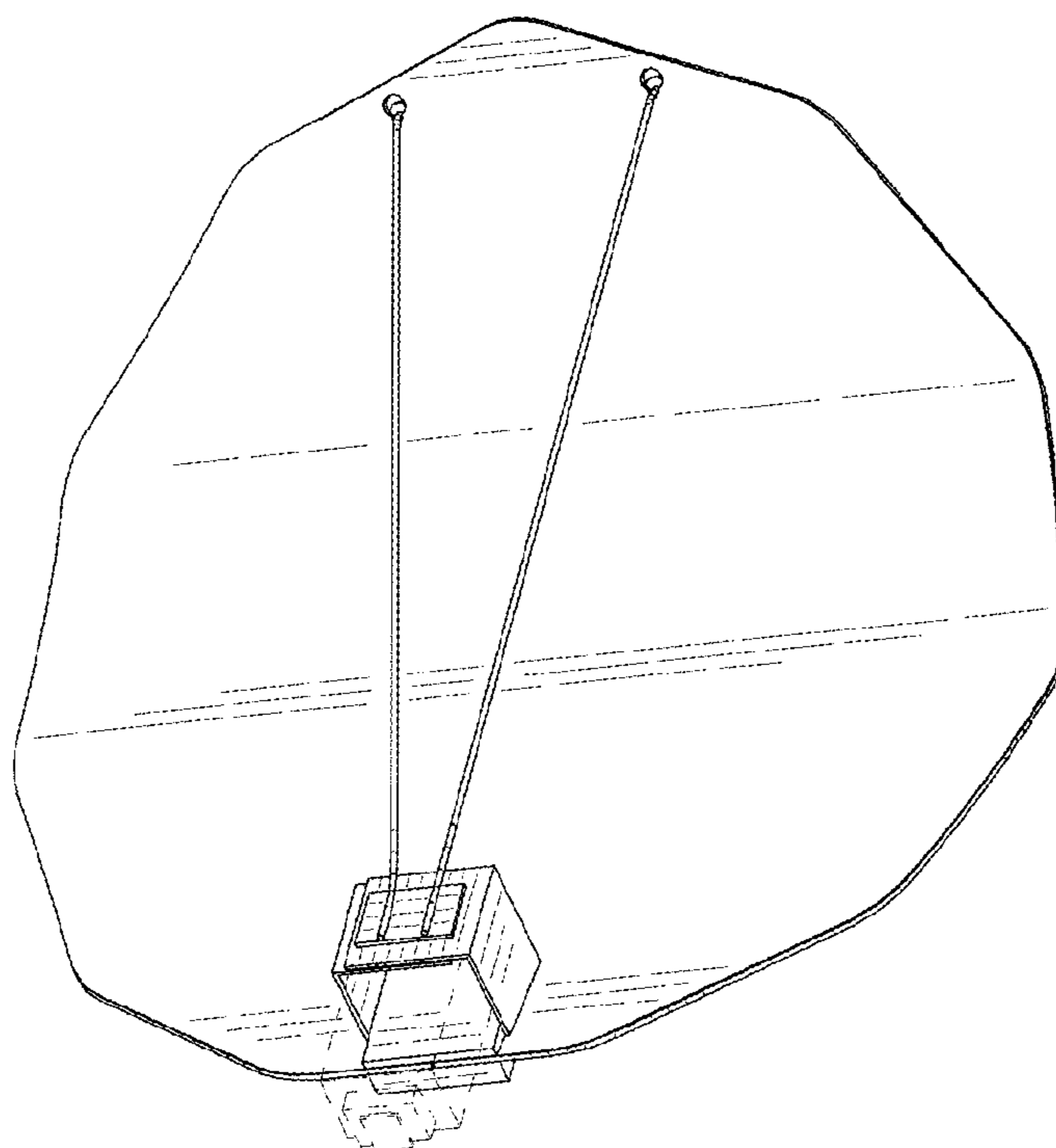


FIG. 8

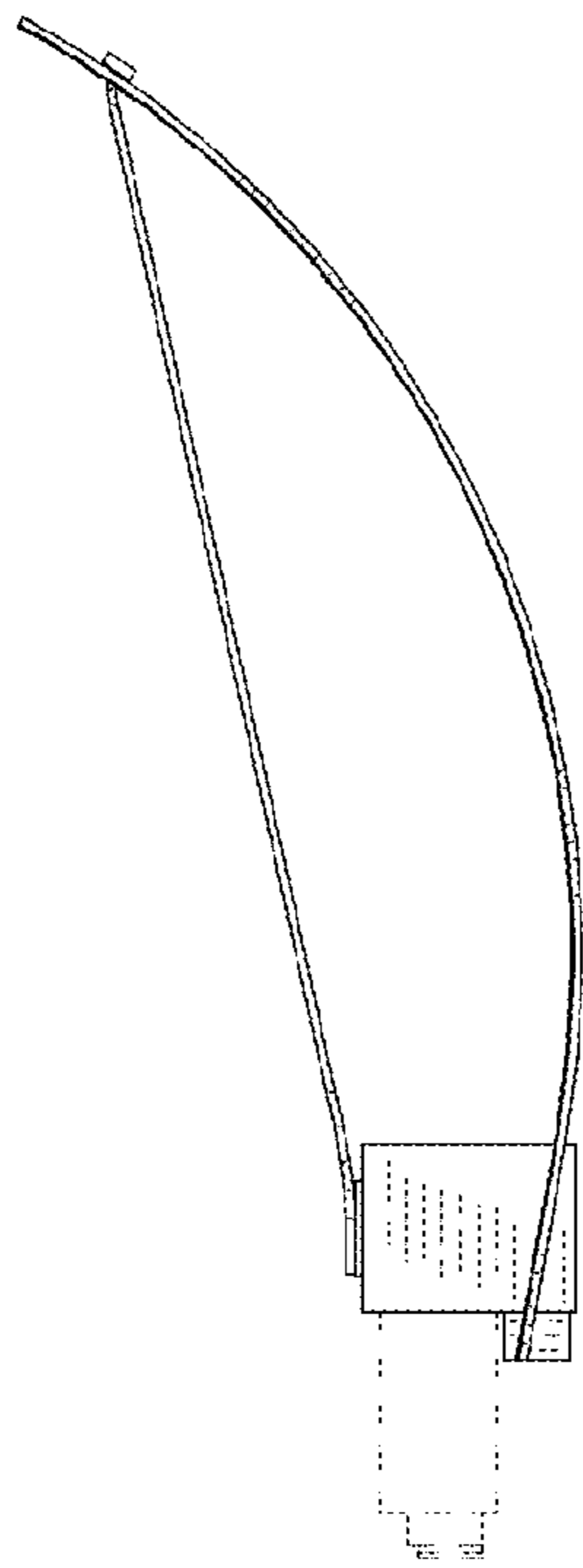


FIG. 9

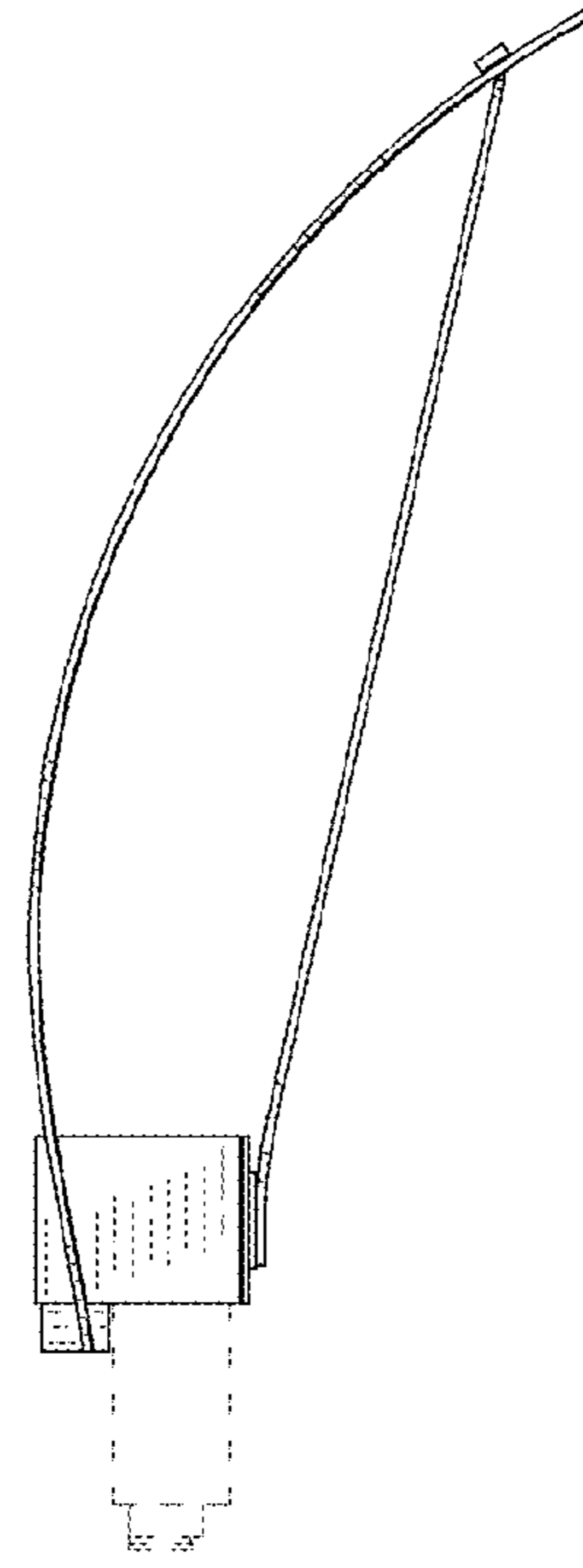


FIG. 10

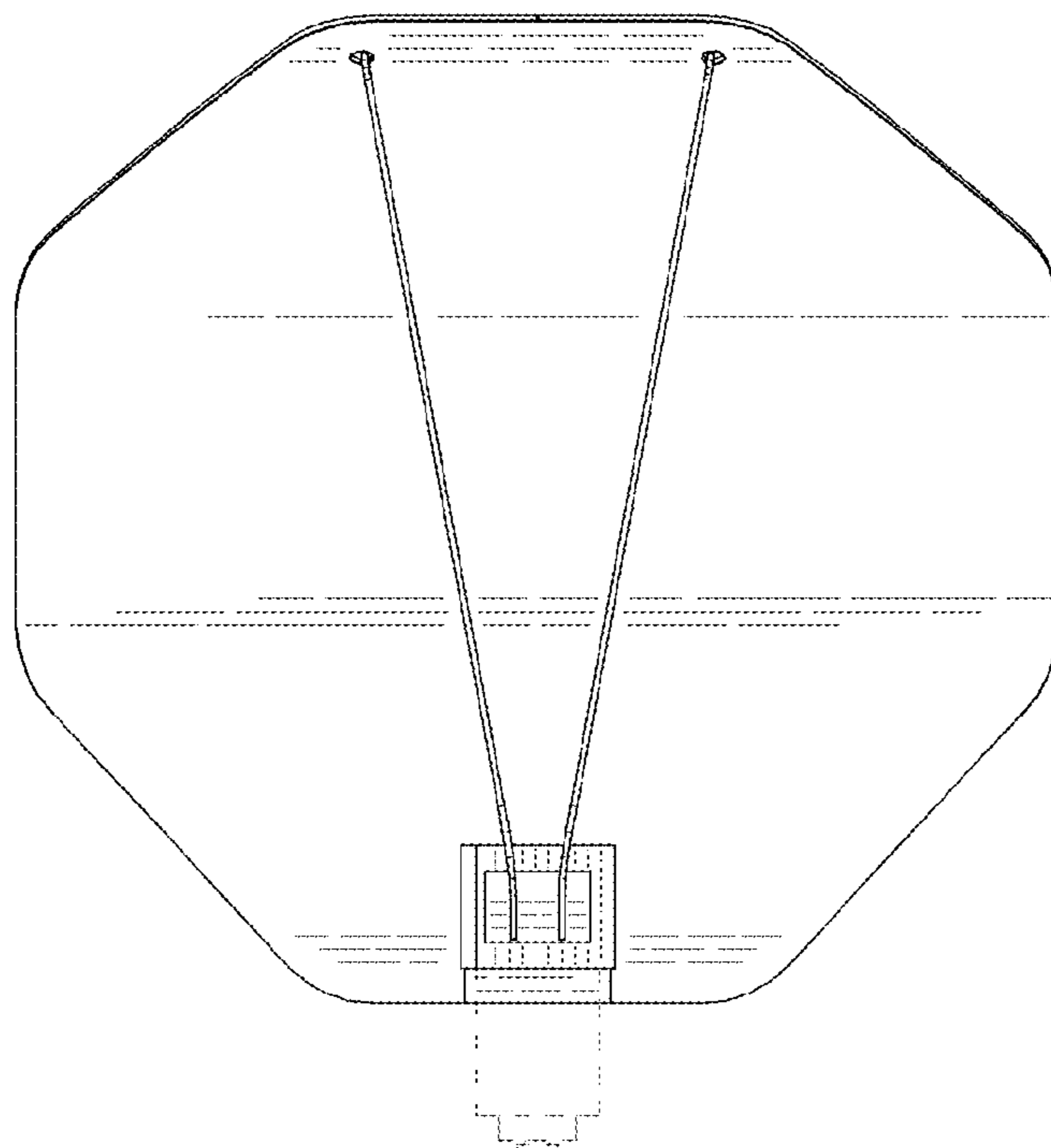


FIG. 11

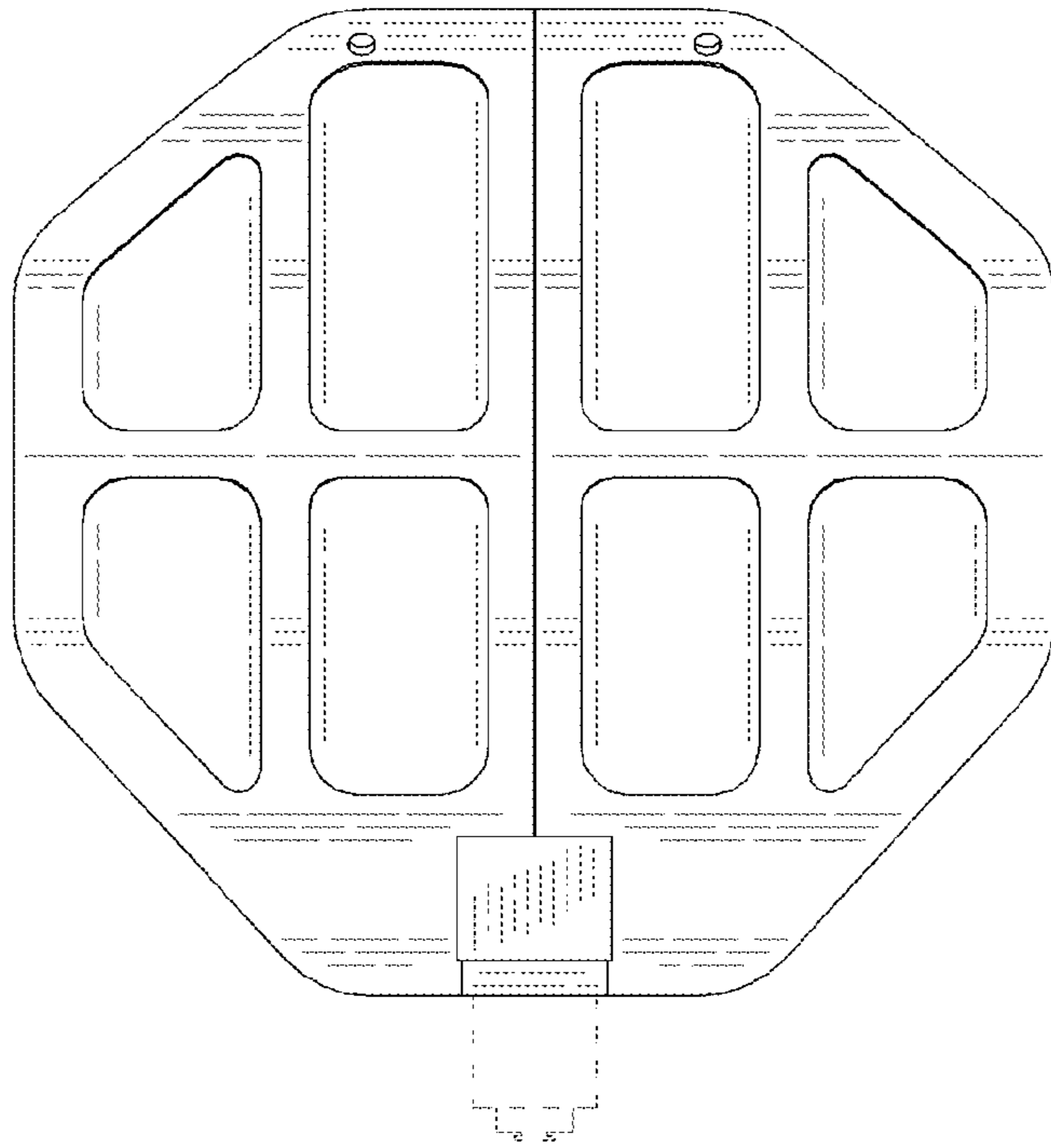


FIG. 12

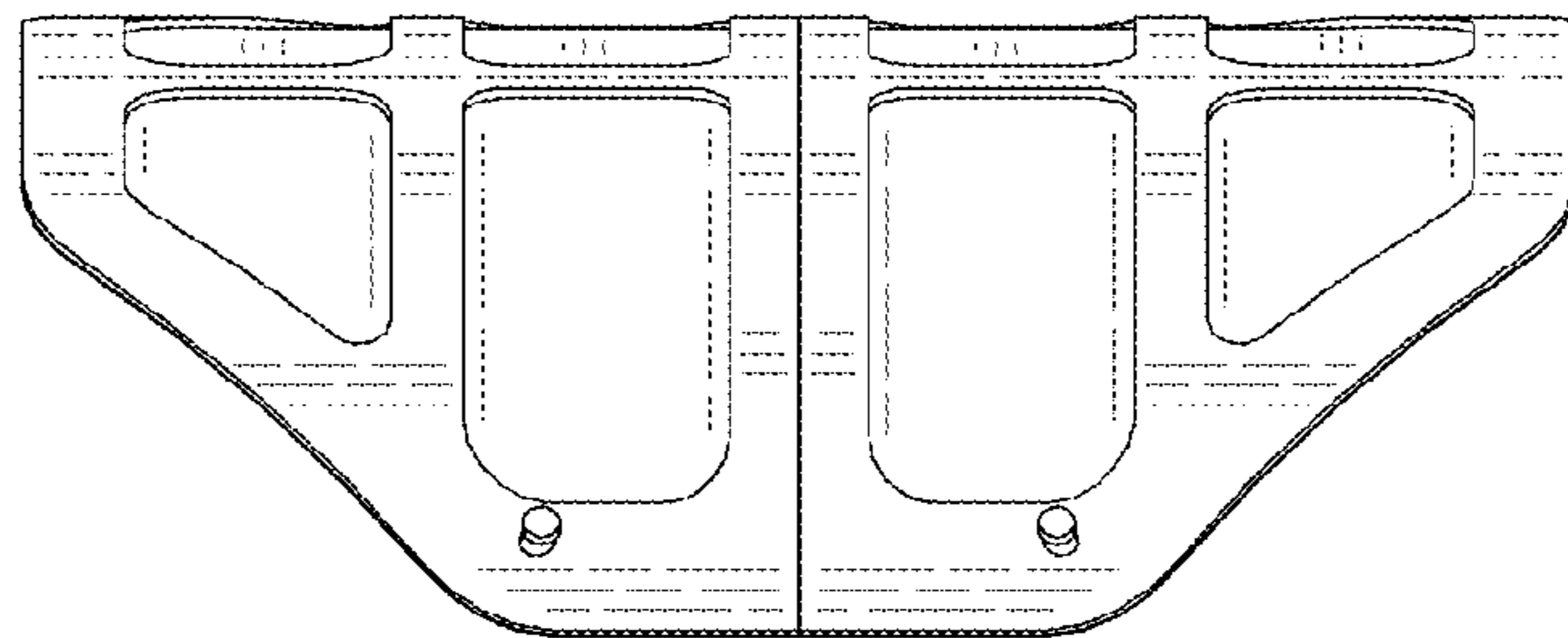


FIG. 13

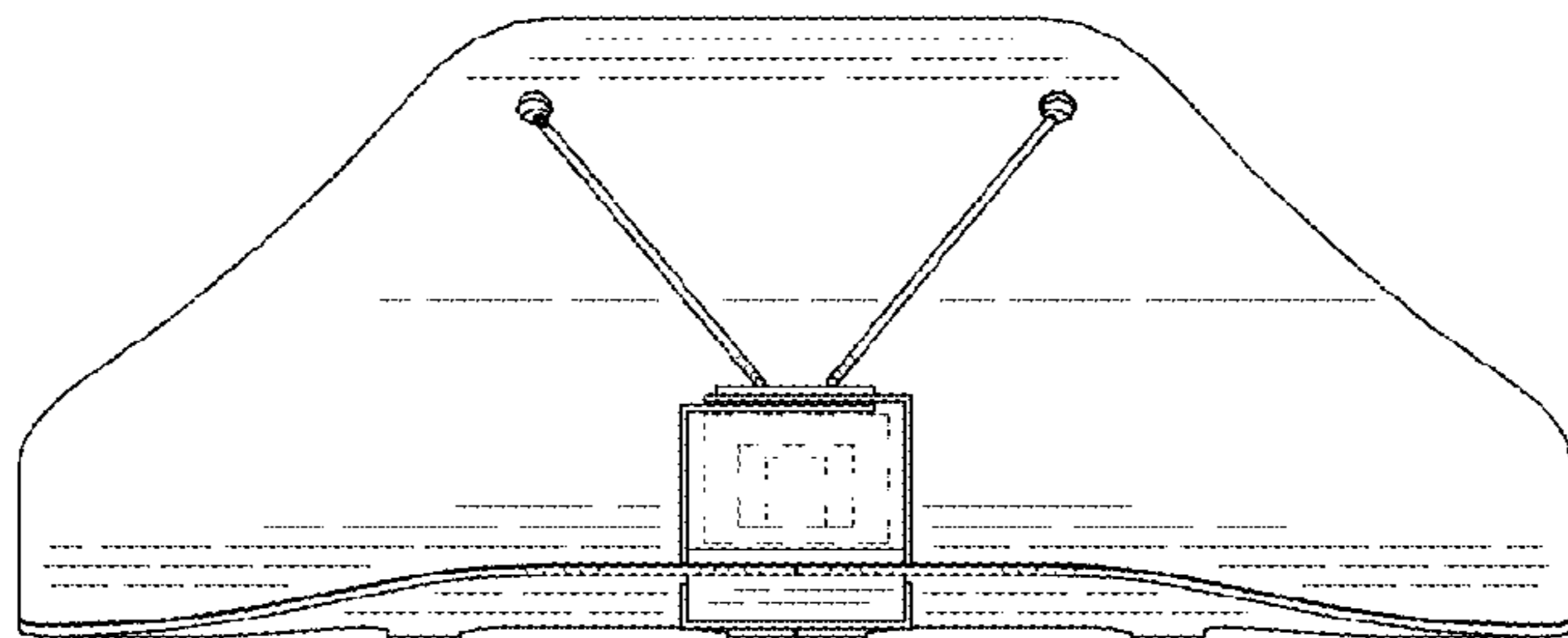


FIG. 14

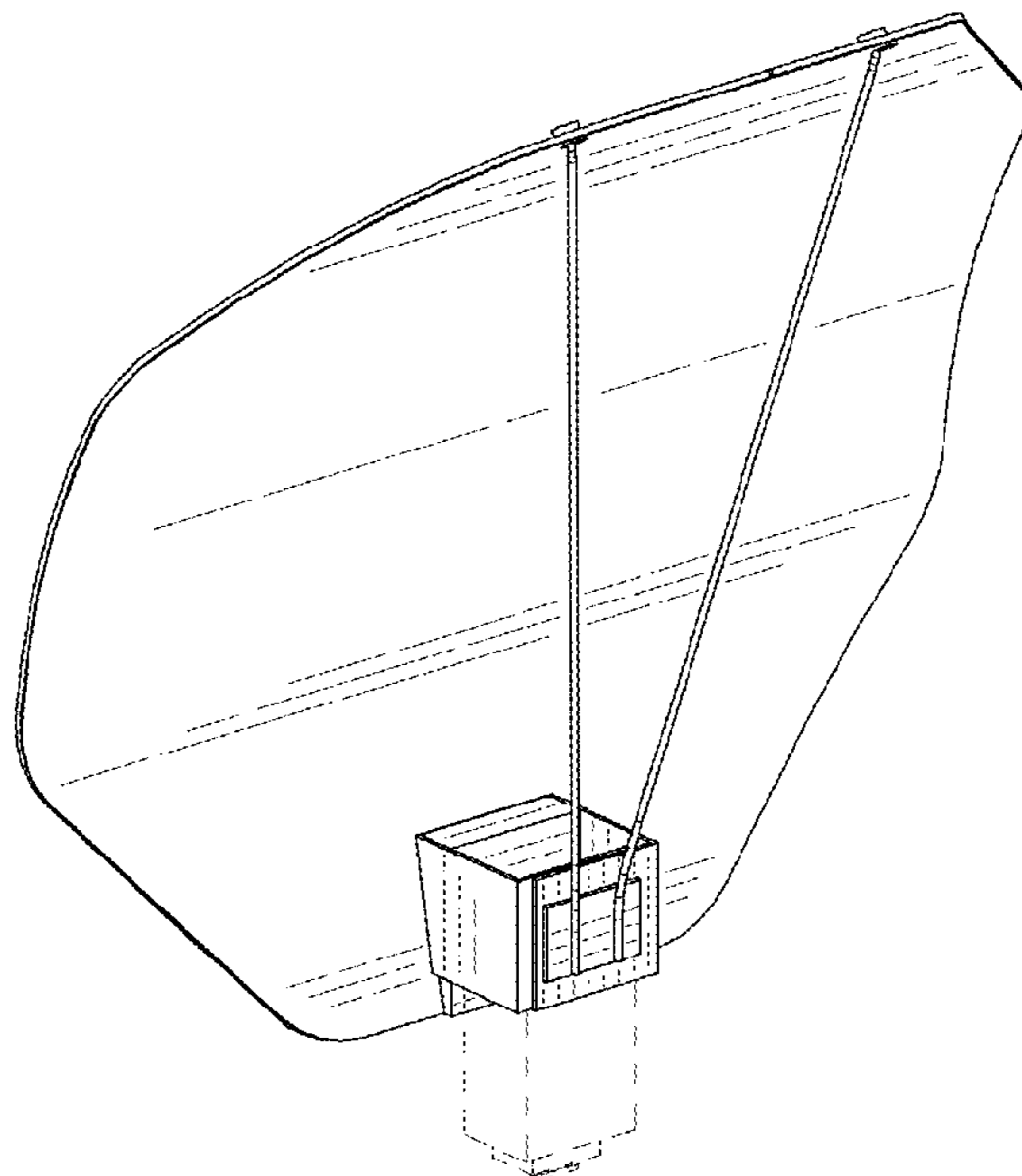


FIG. 15

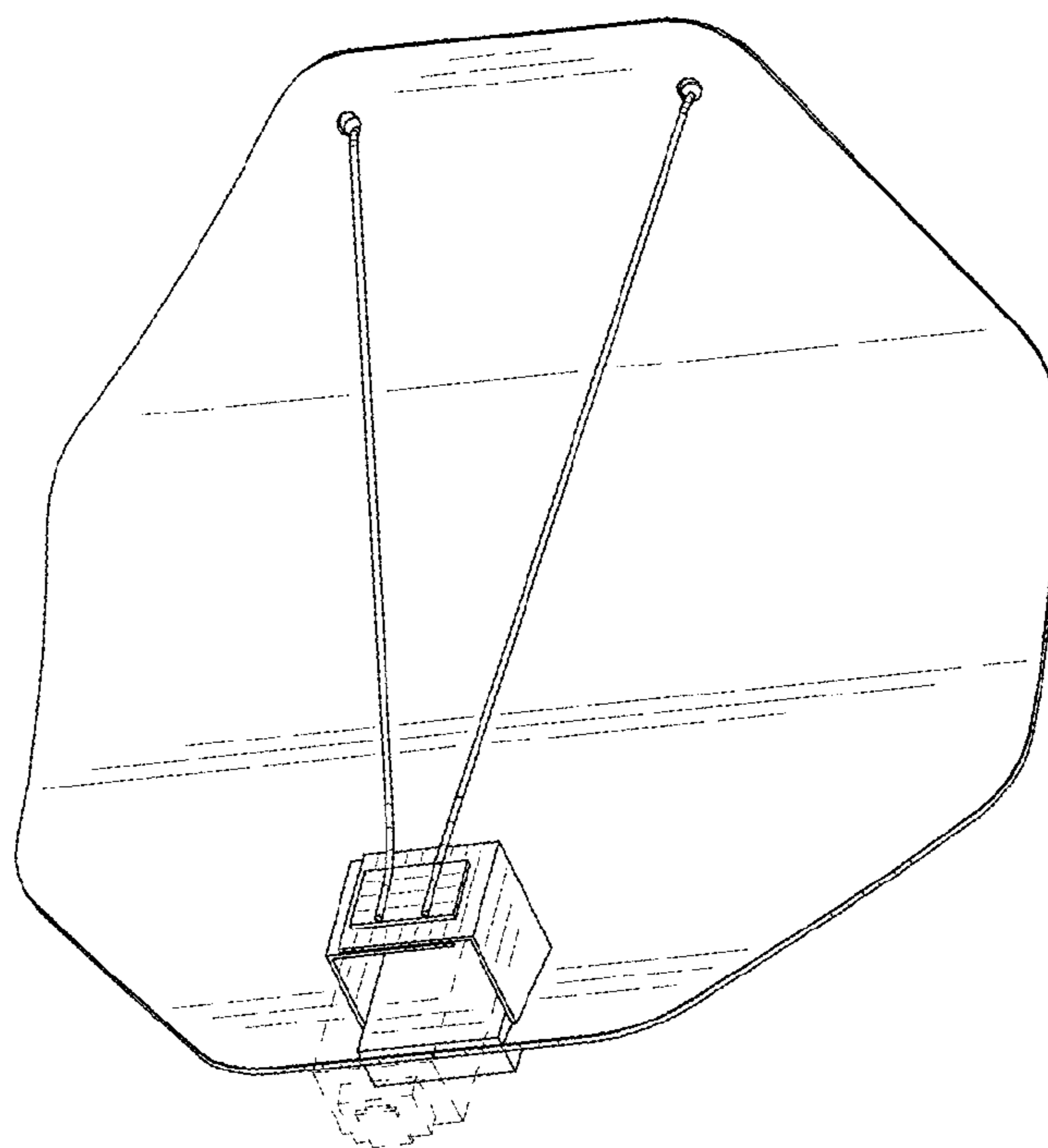


FIG. 16

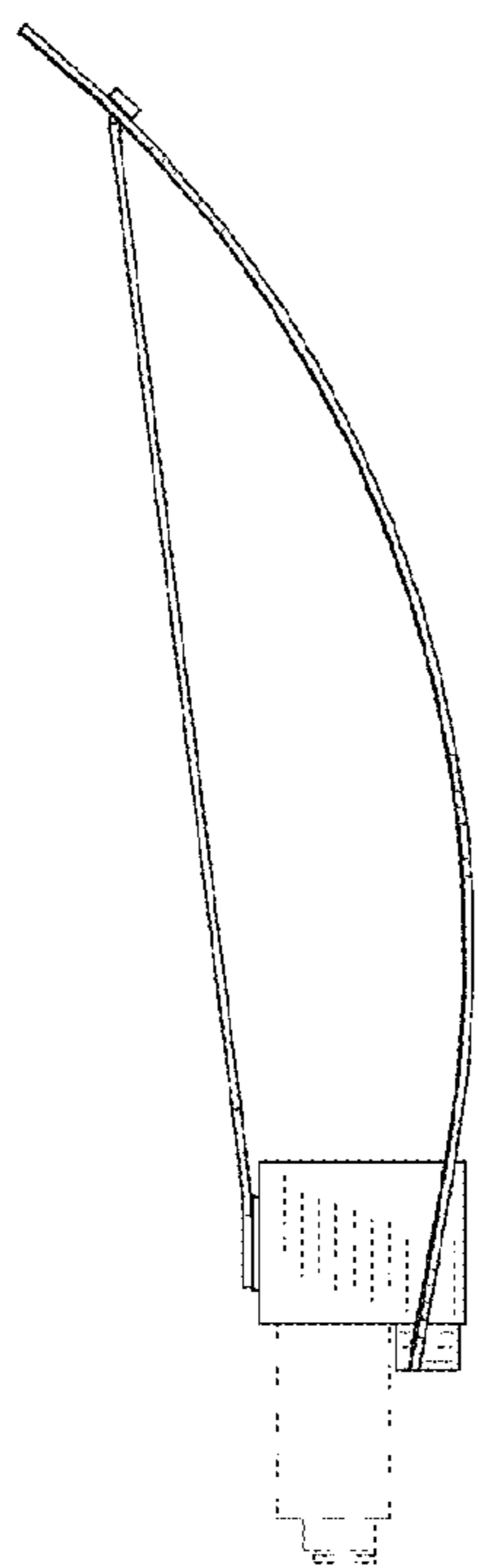


FIG. 17

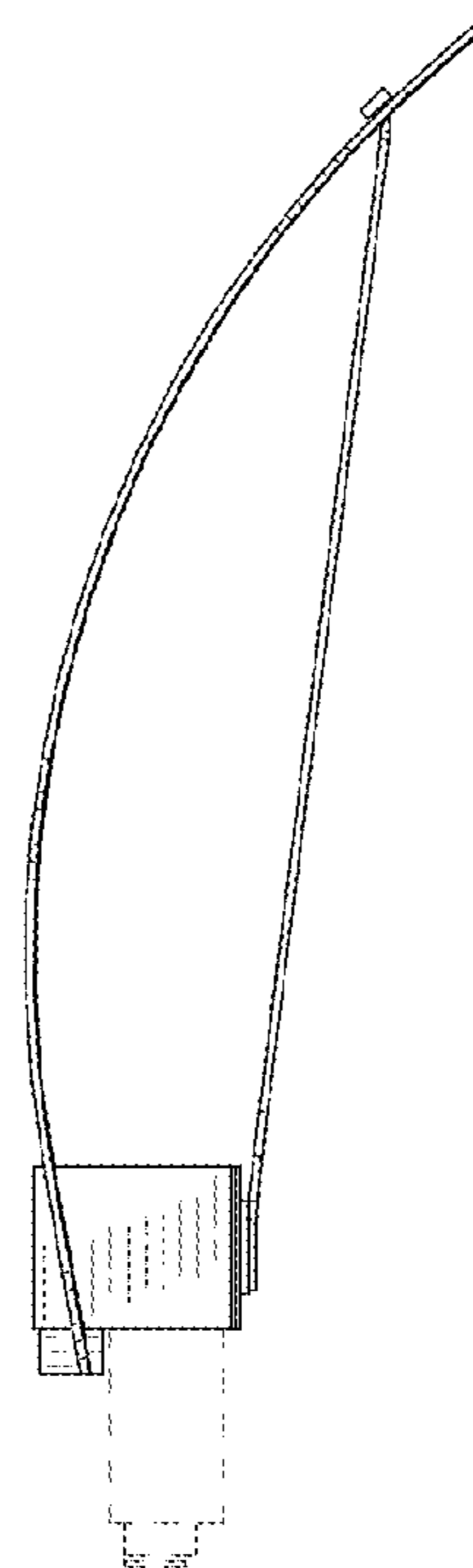


FIG. 18

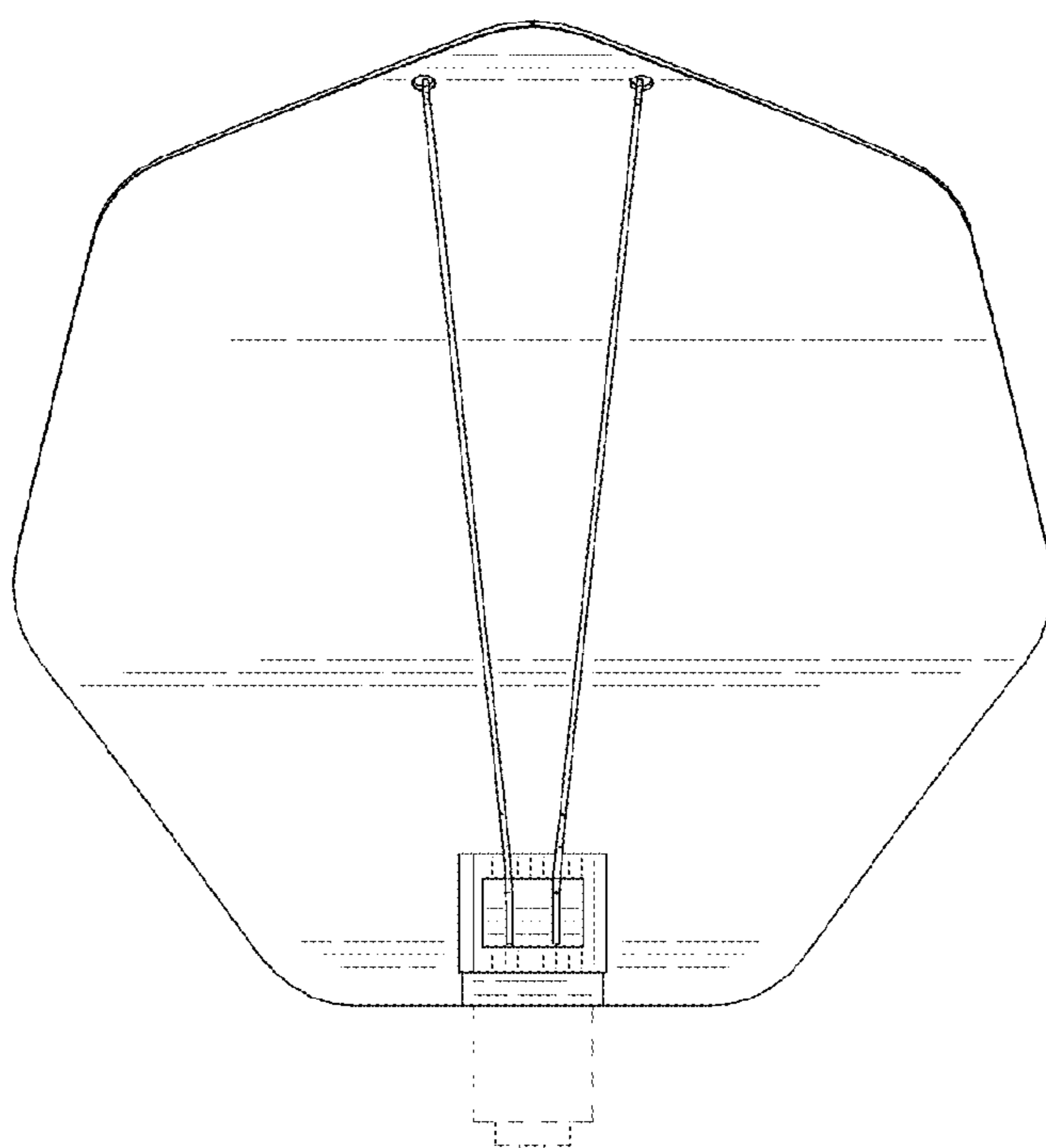


FIG. 19

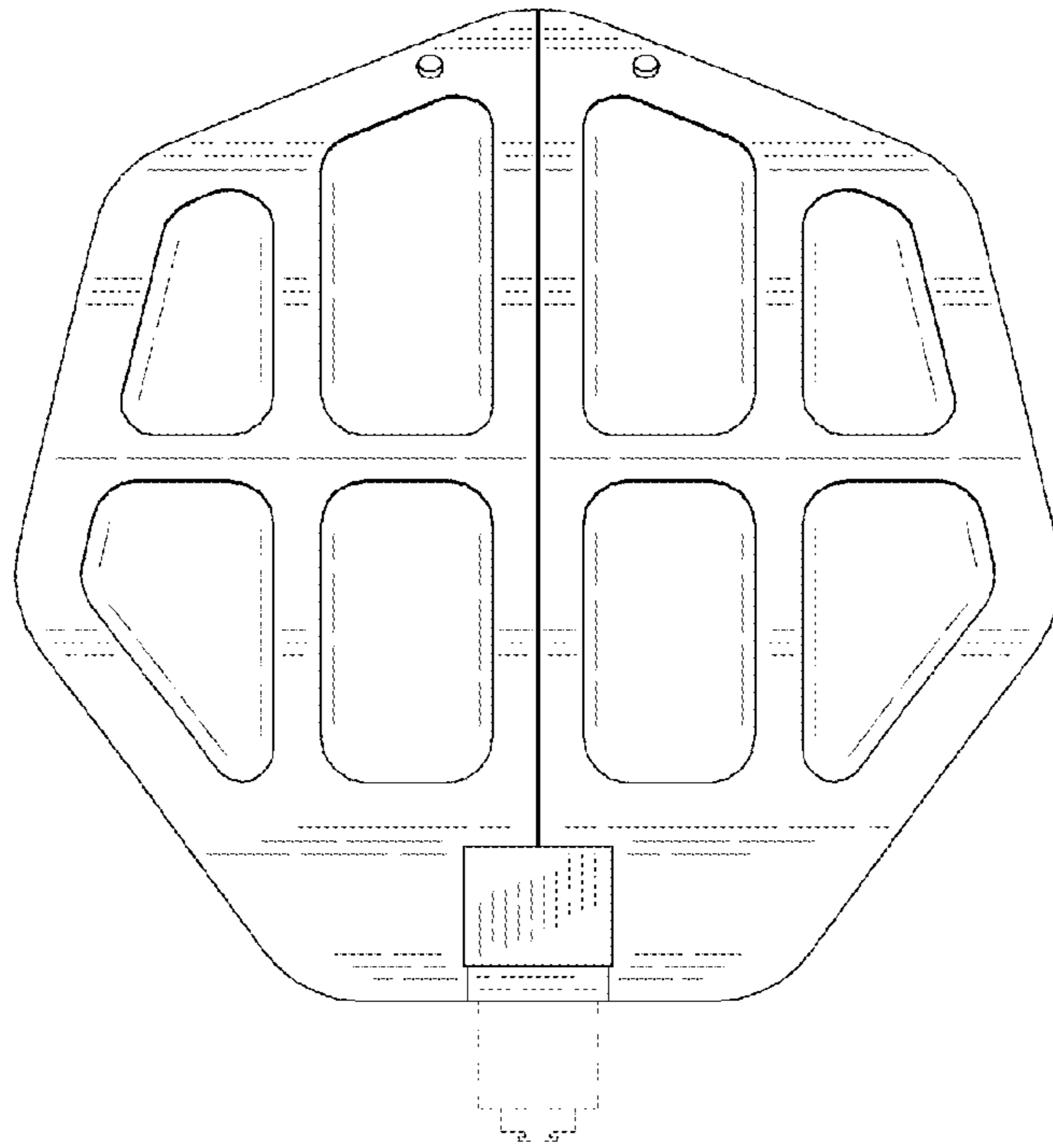


FIG. 20

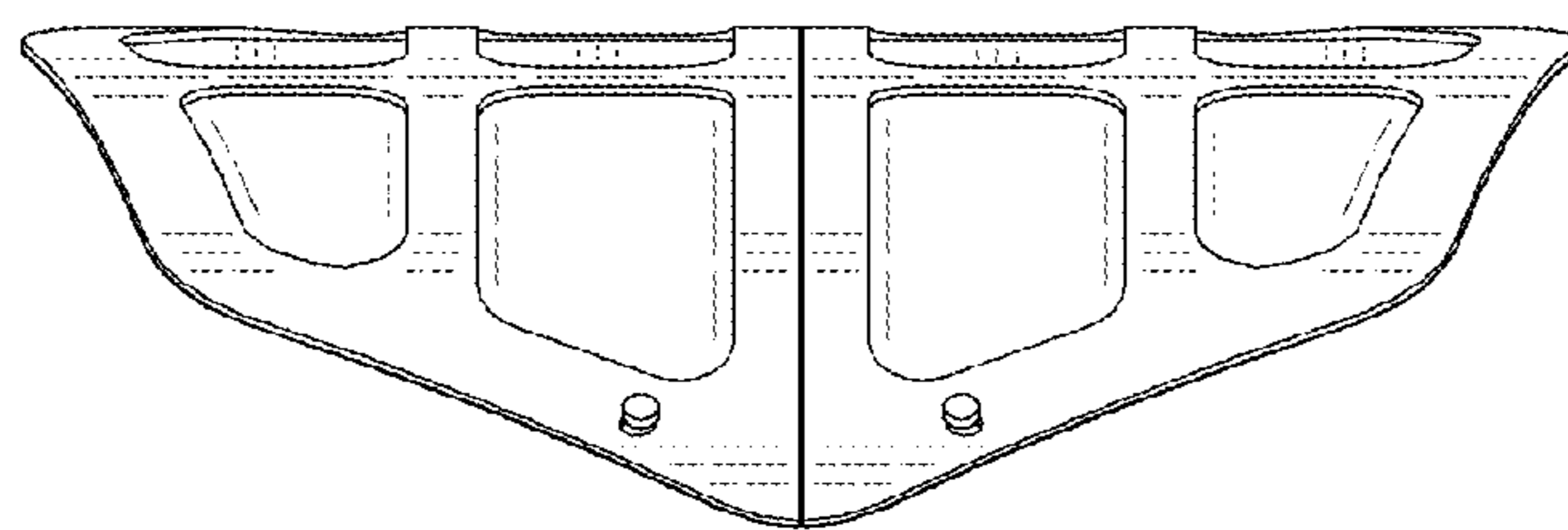


FIG. 21

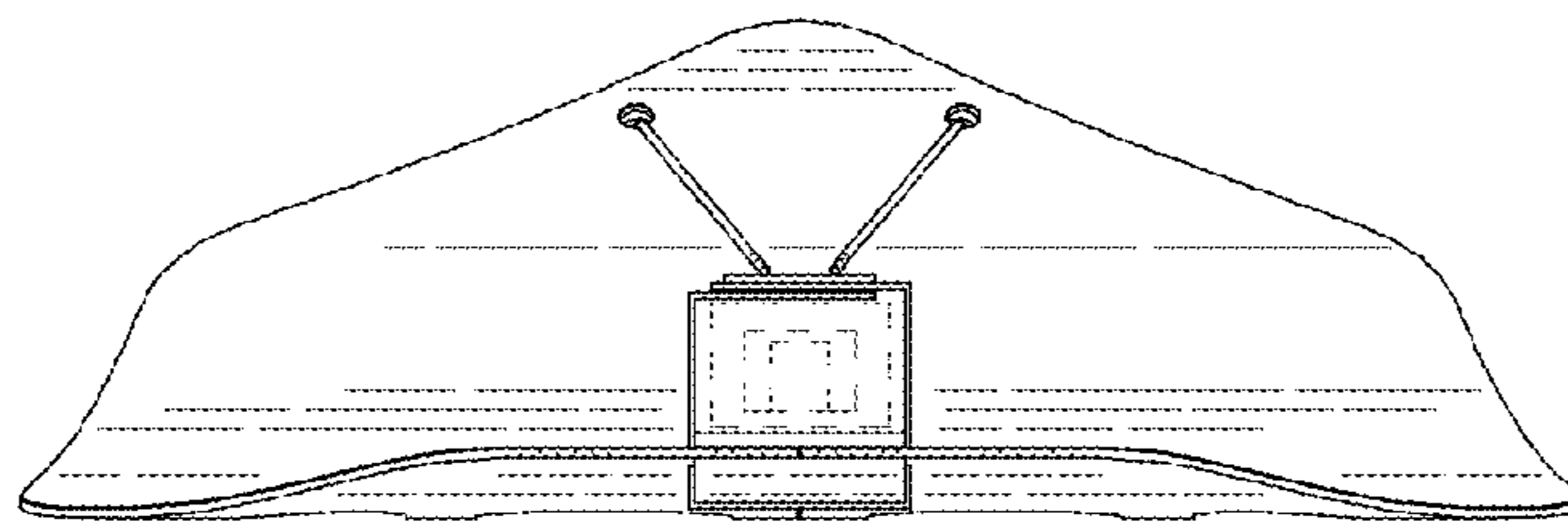


FIG. 22

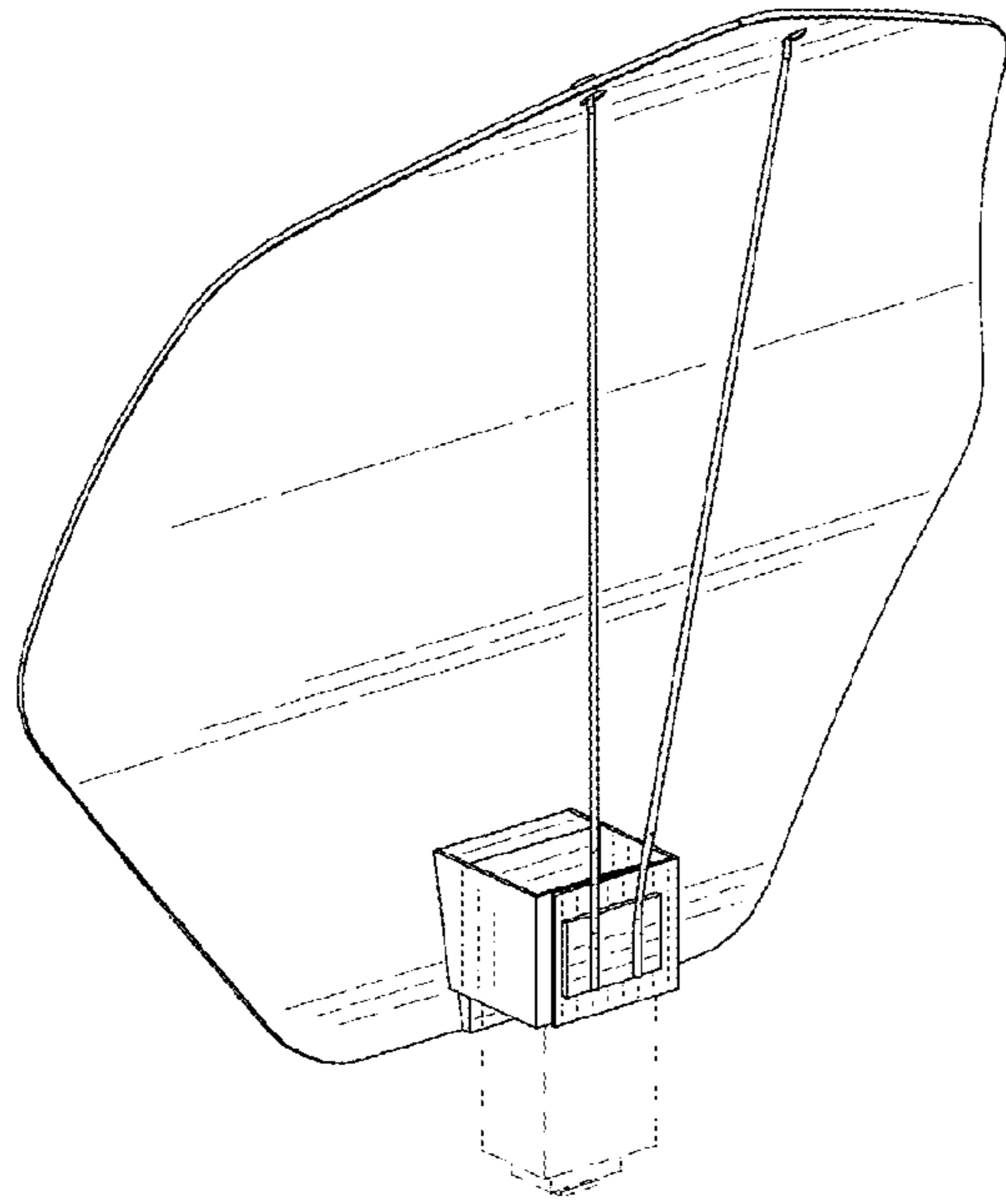


FIG. 23

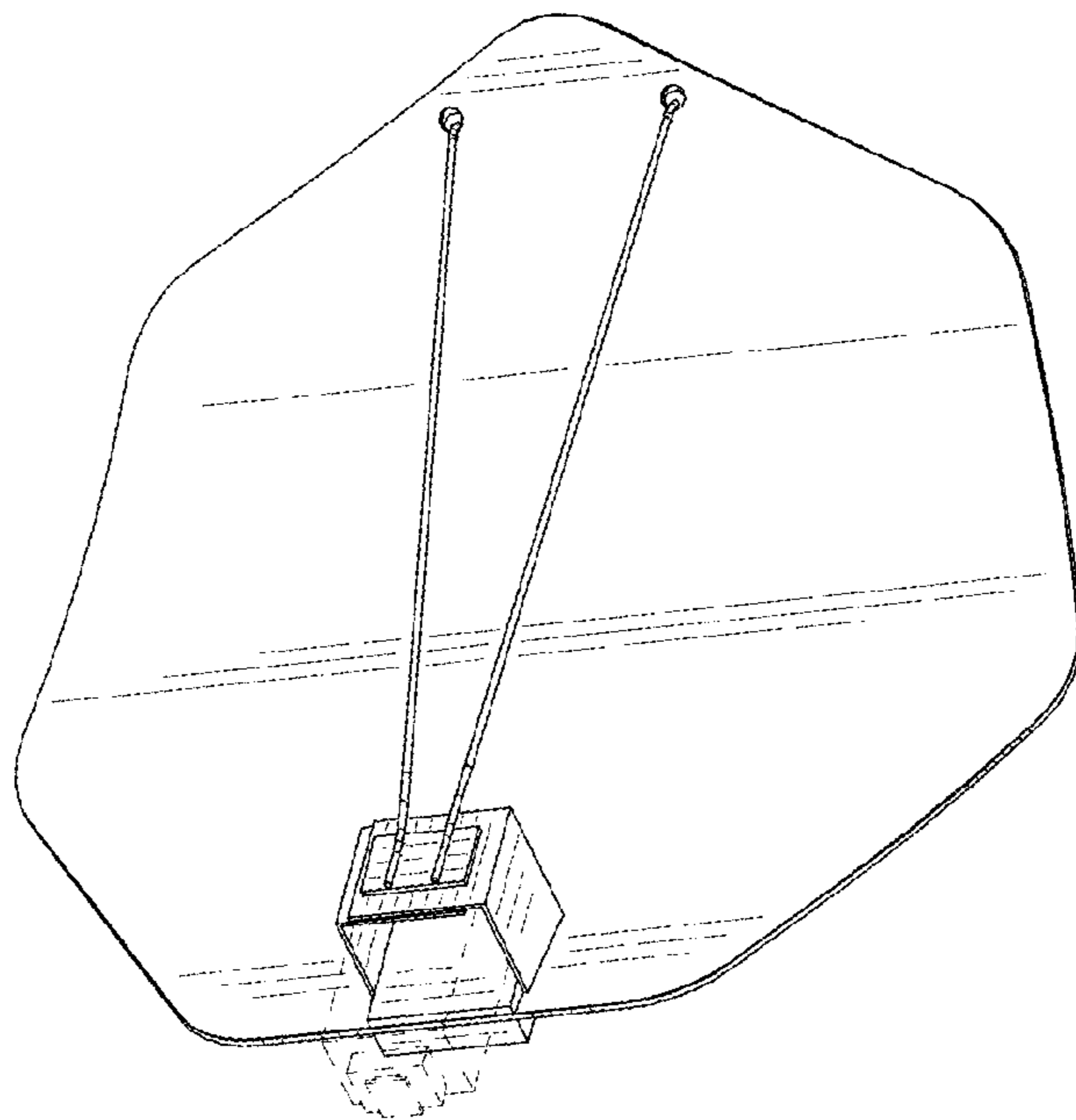


FIG. 24

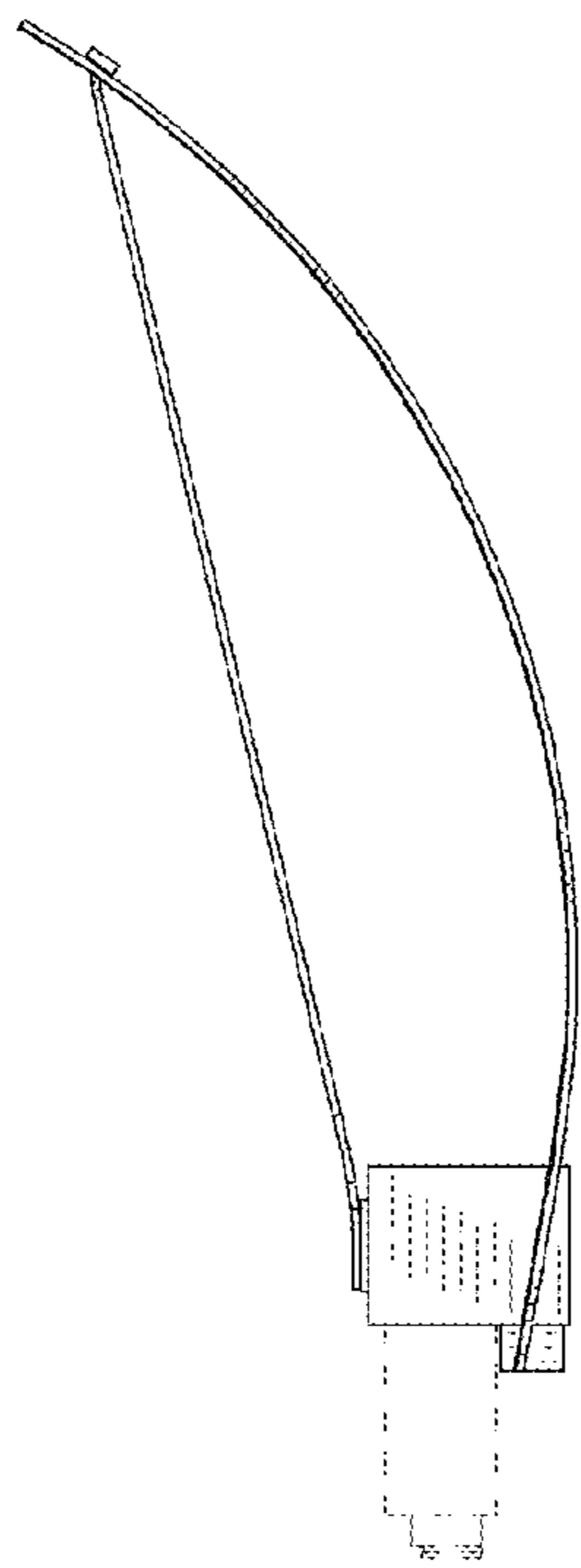


FIG. 25

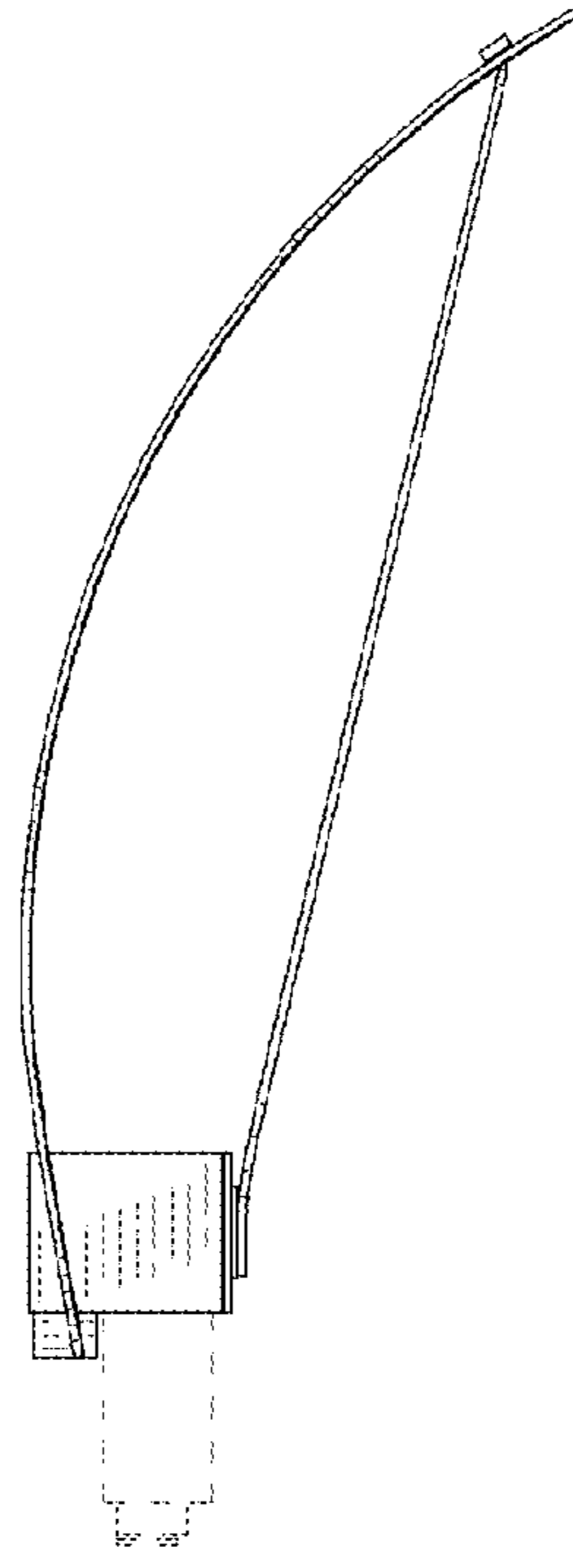


FIG. 26

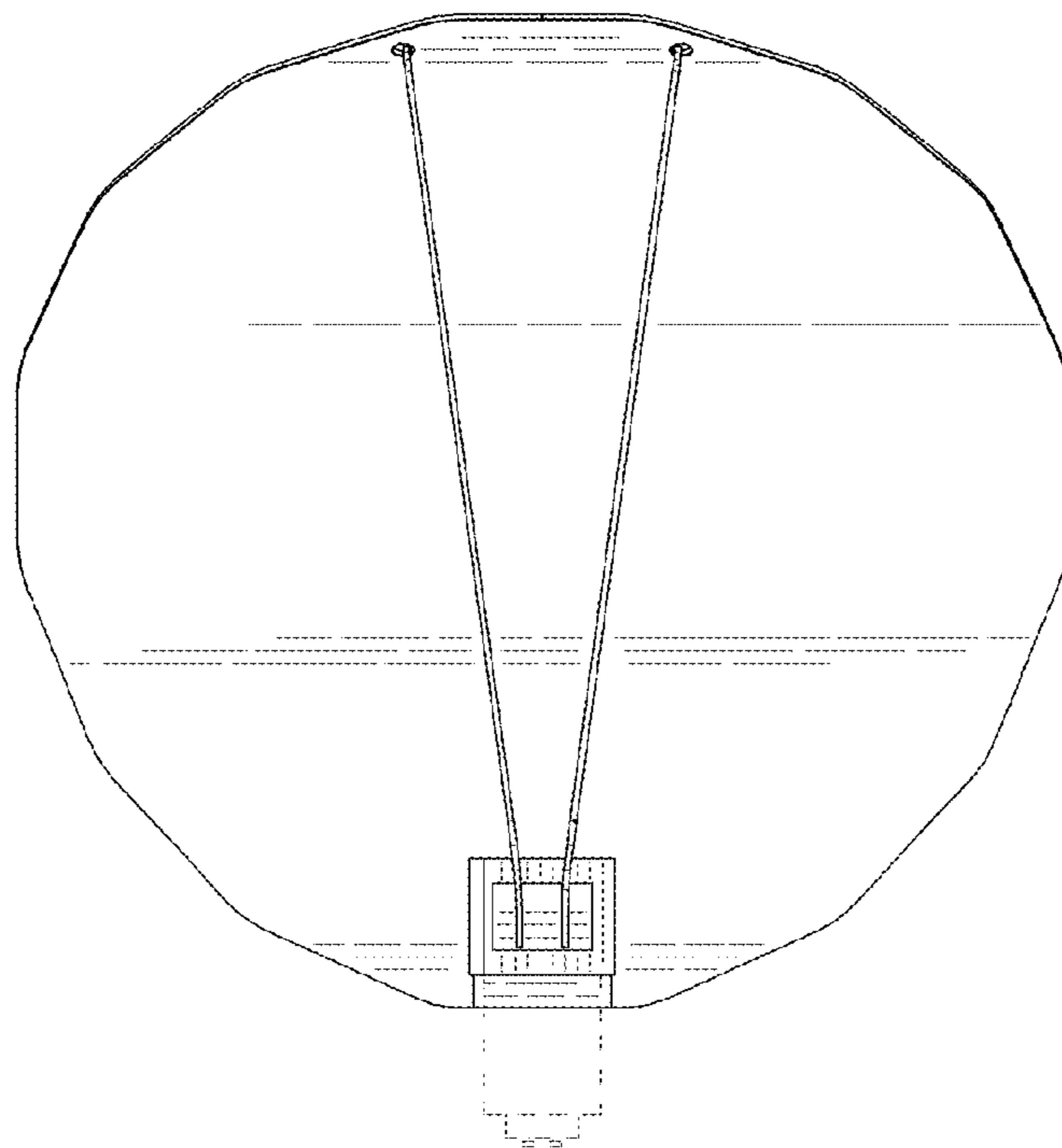


FIG. 27

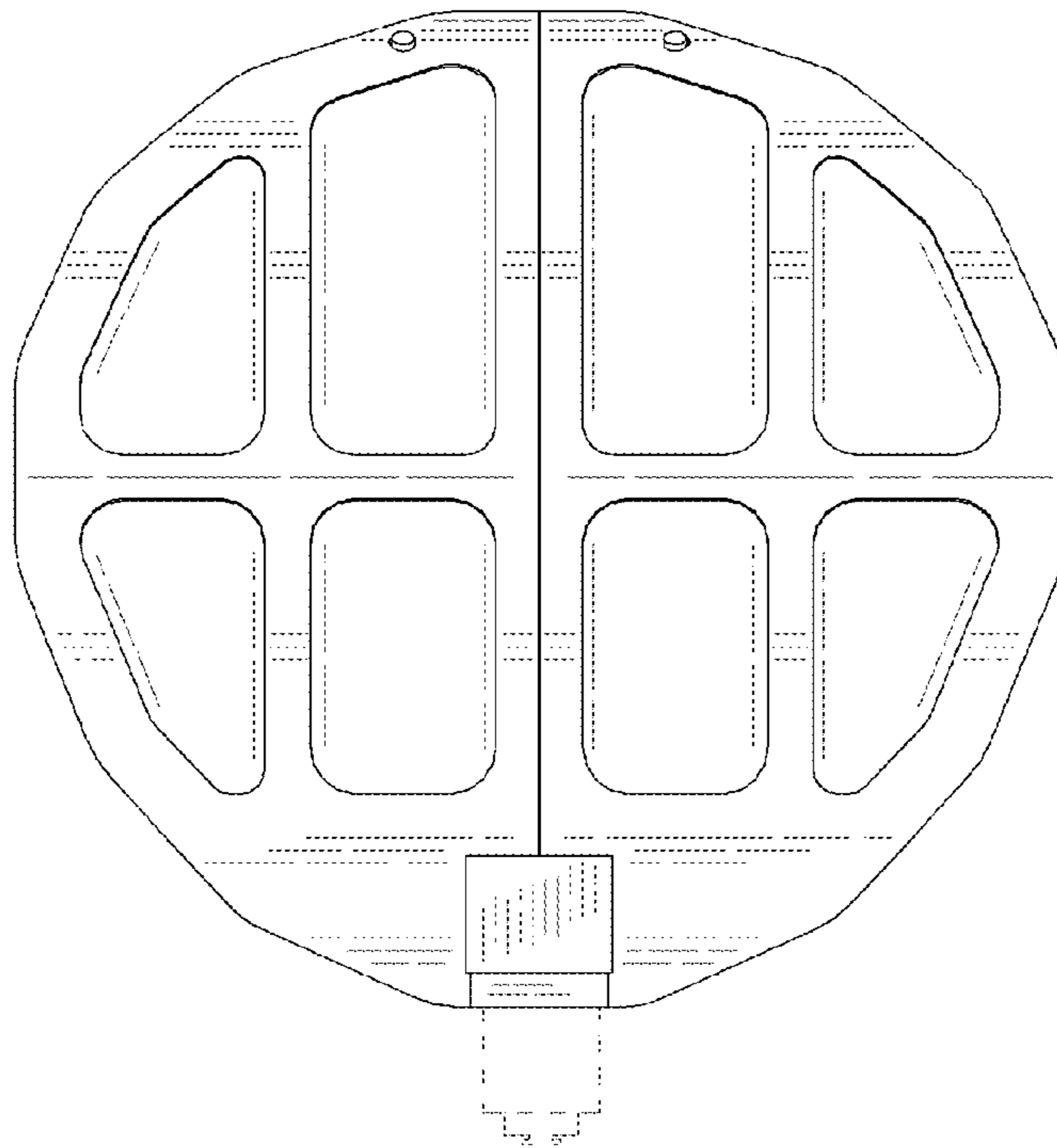


FIG. 28

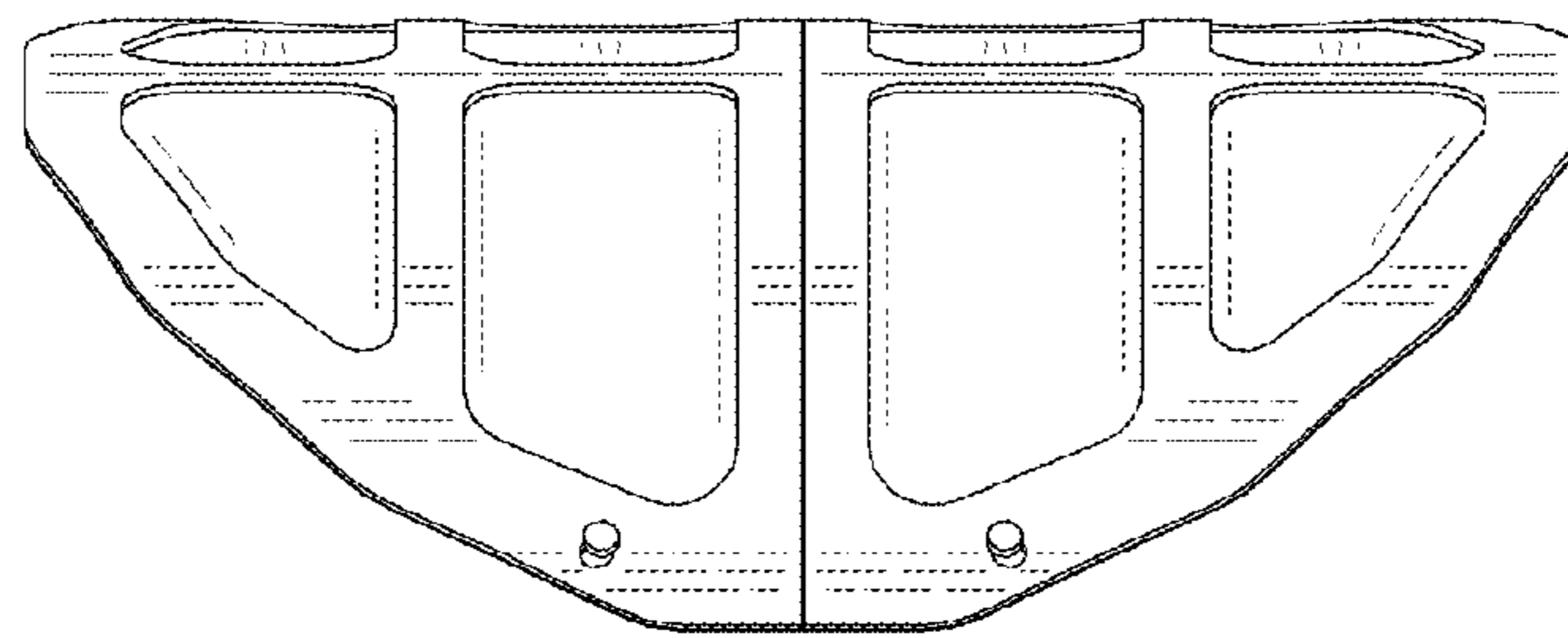


FIG. 29

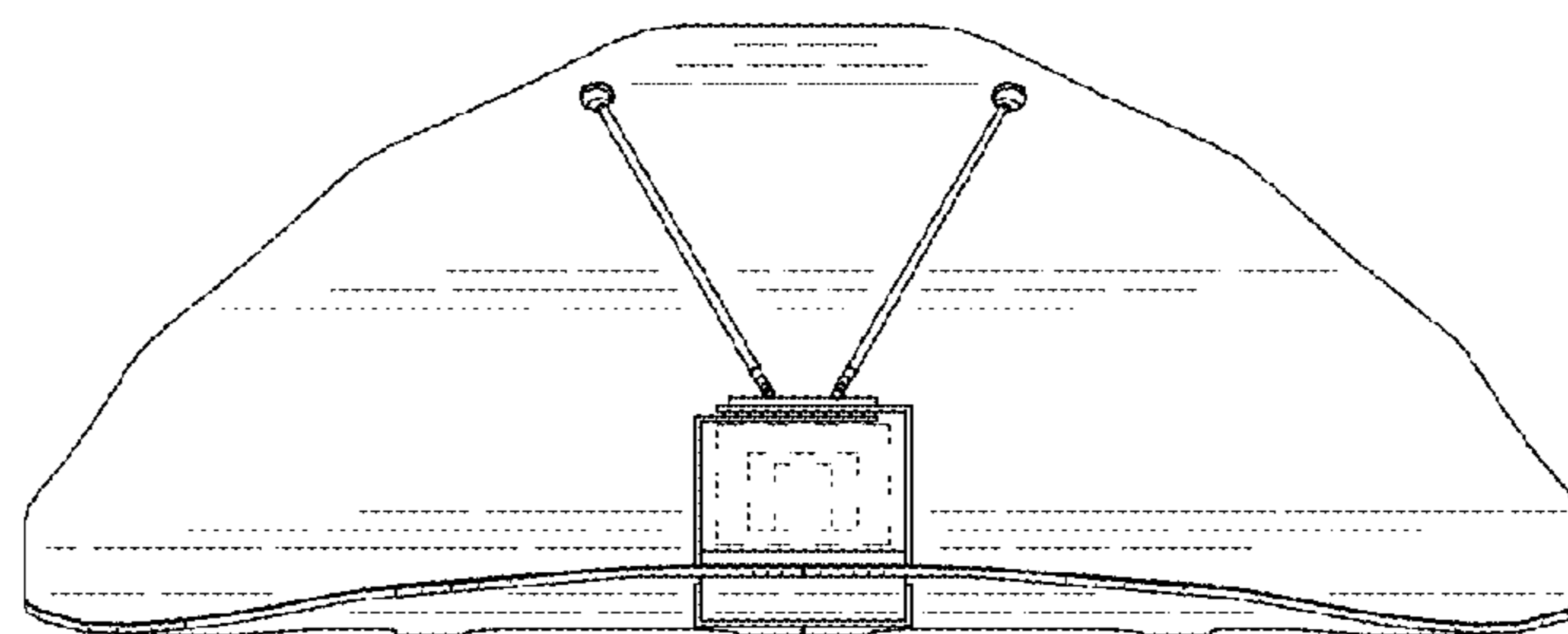


FIG. 30

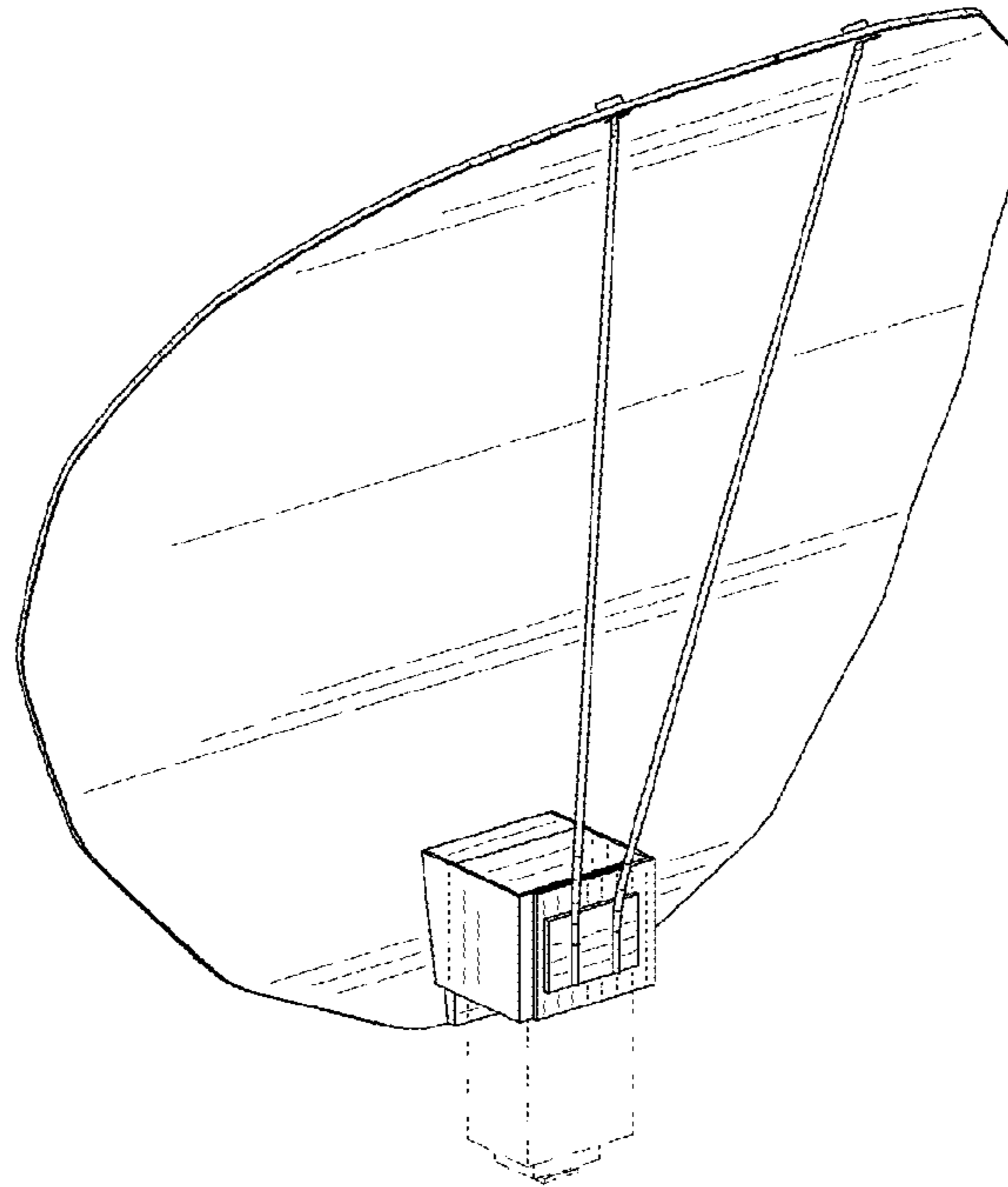


FIG. 31

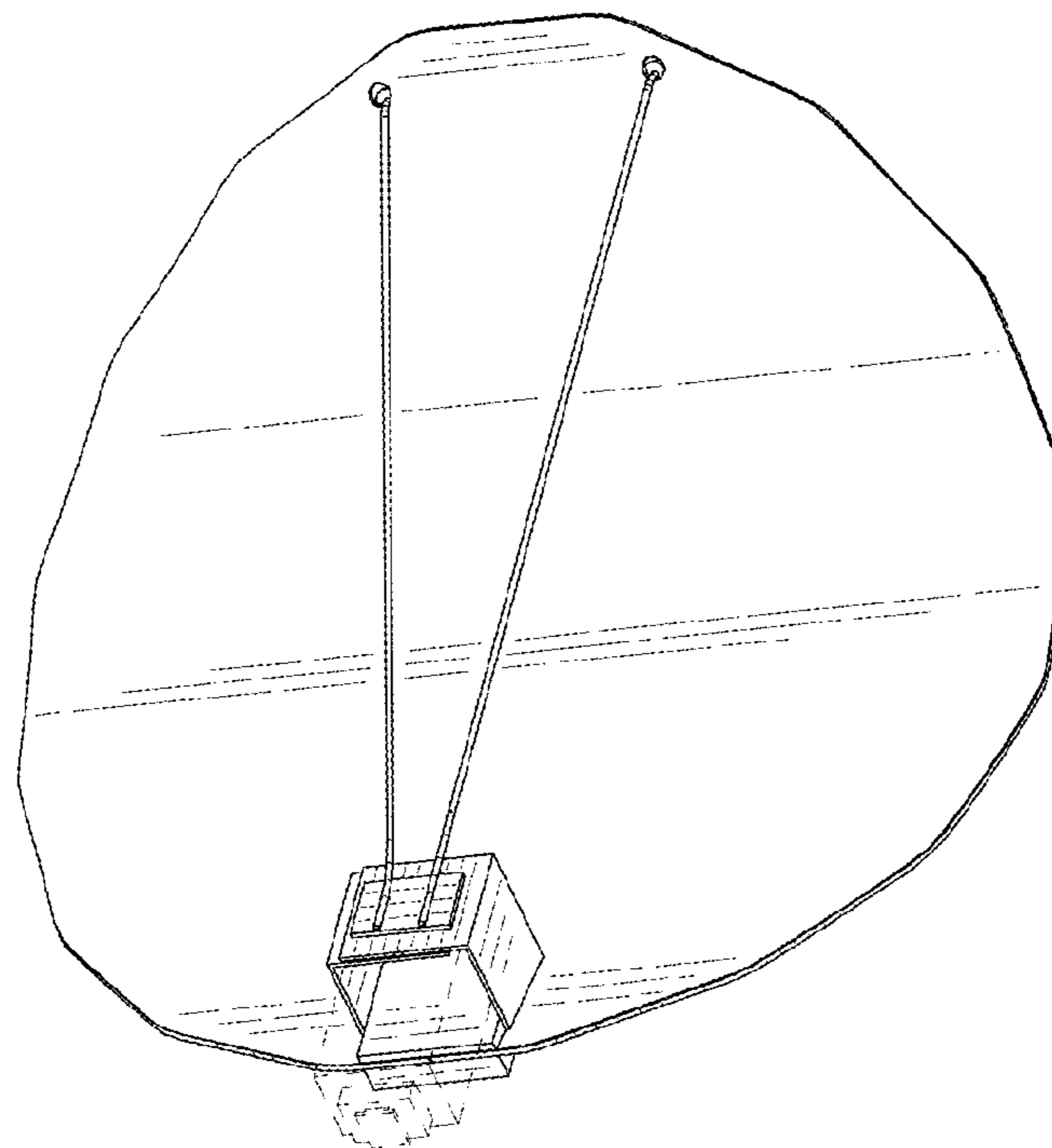


FIG. 32

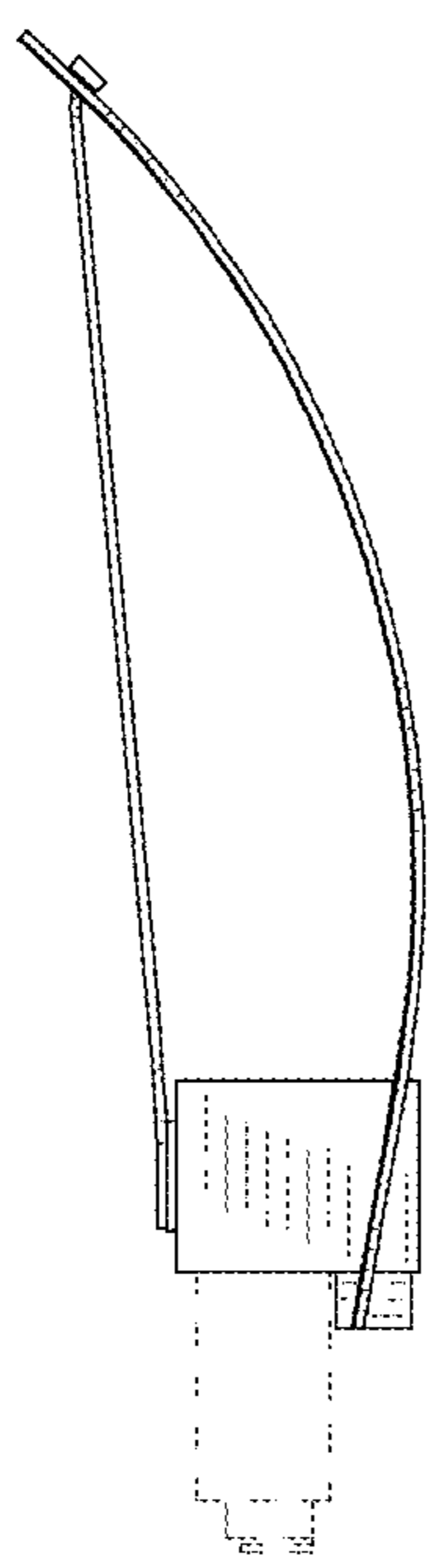


FIG. 33

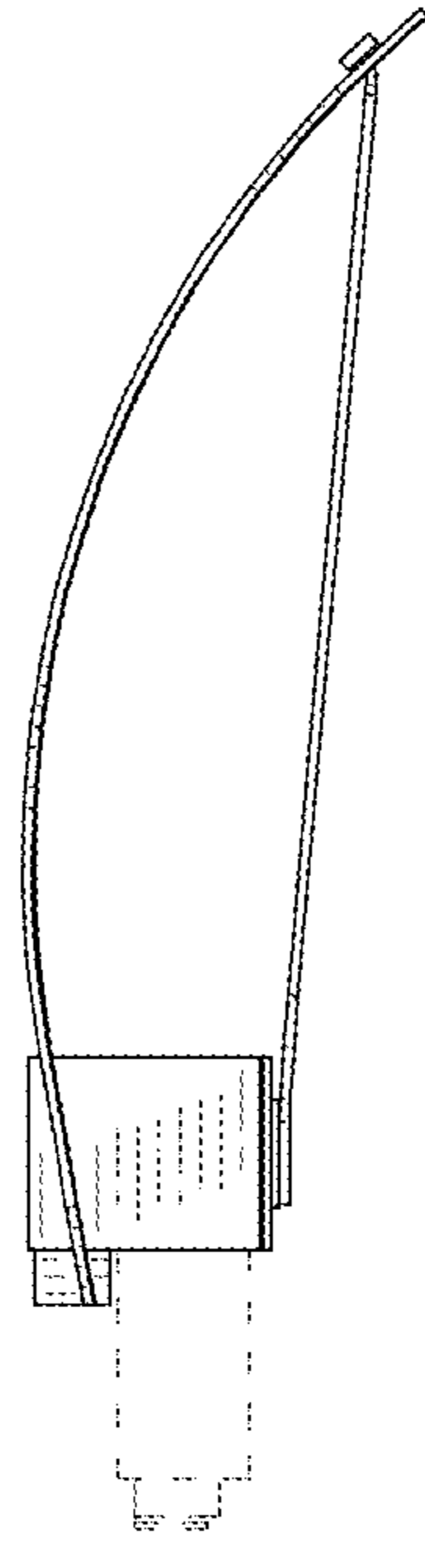


FIG. 34

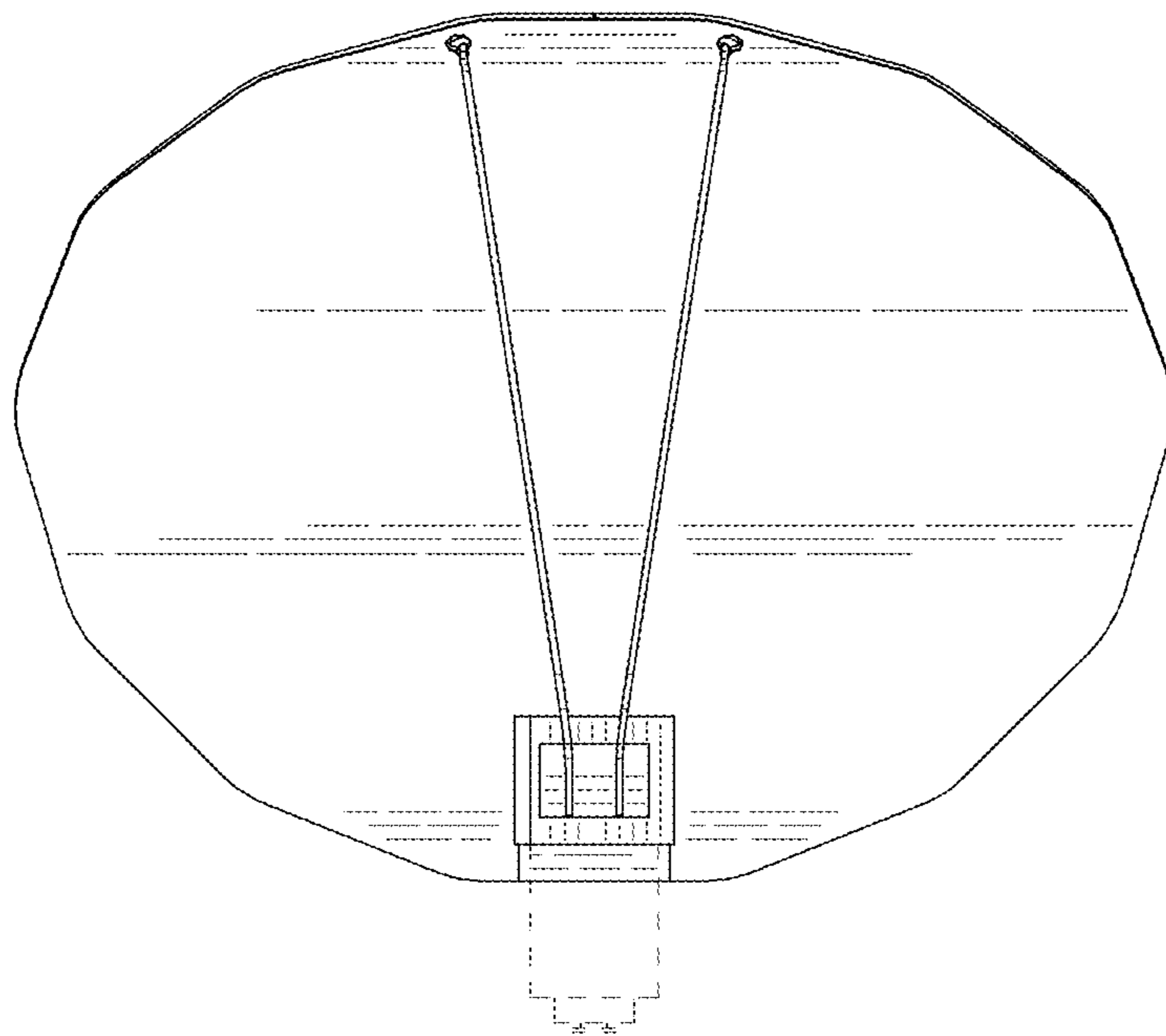


FIG. 35

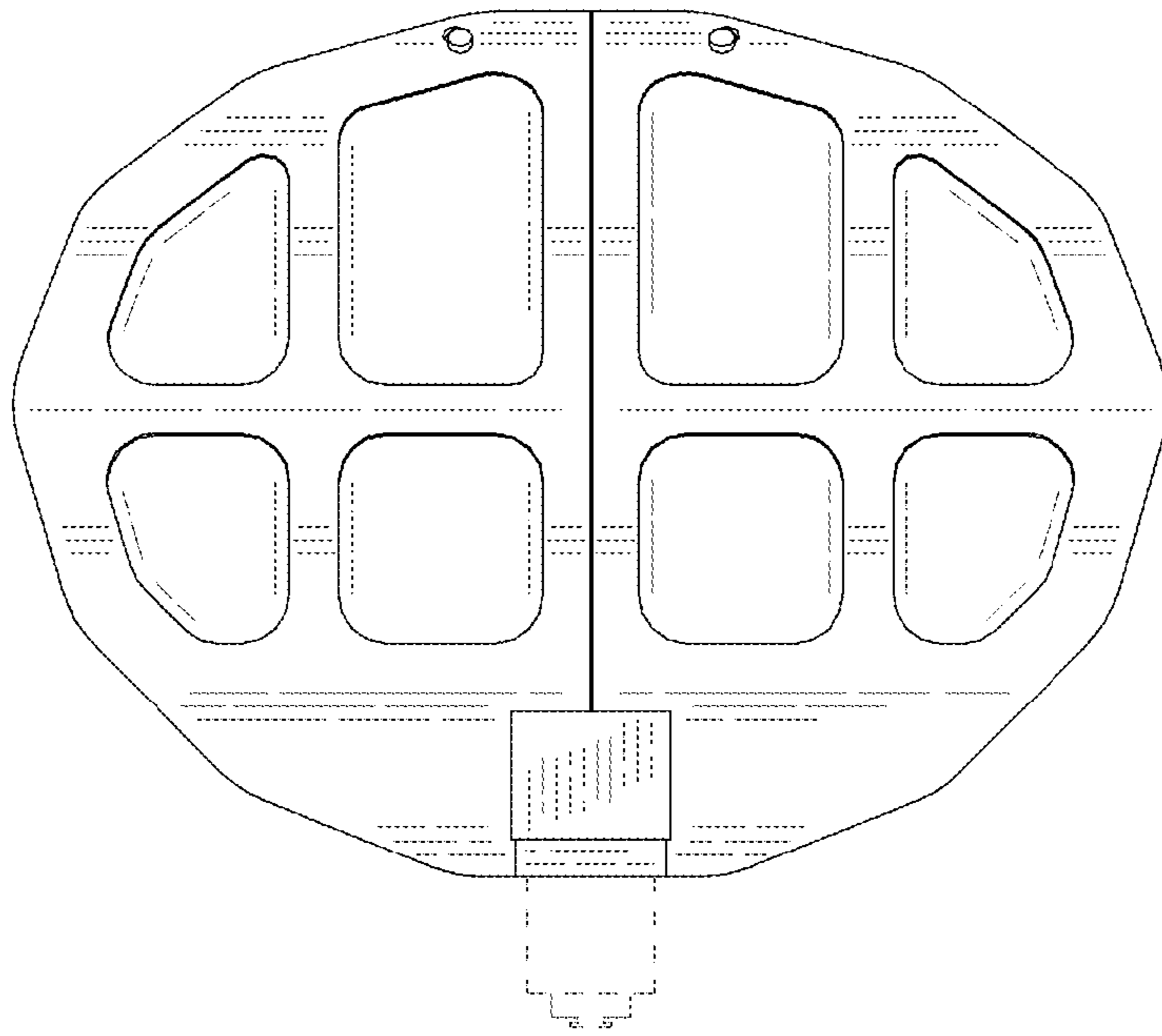


FIG. 36

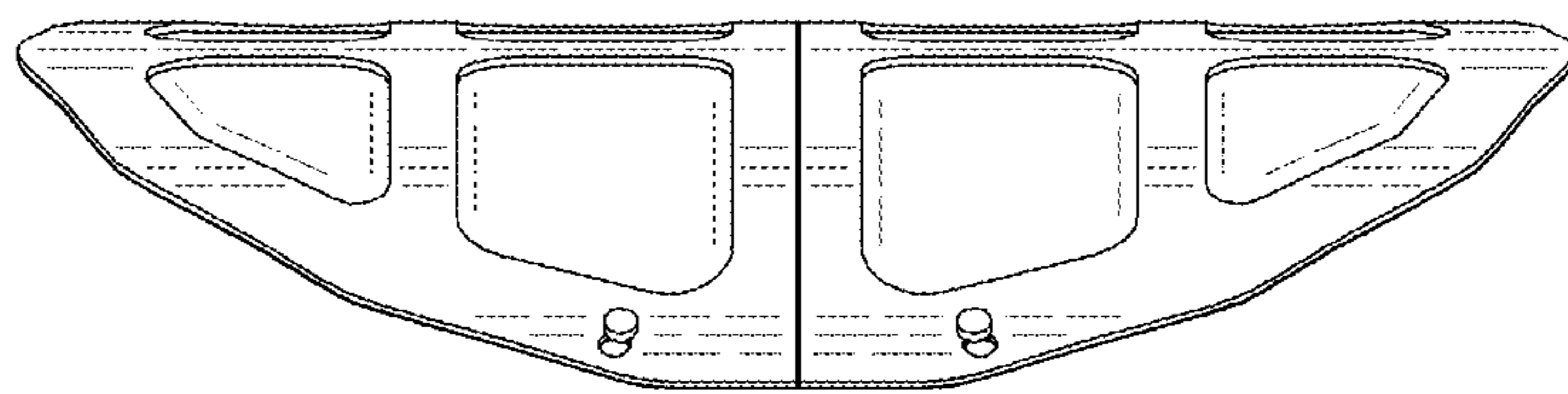


FIG. 37

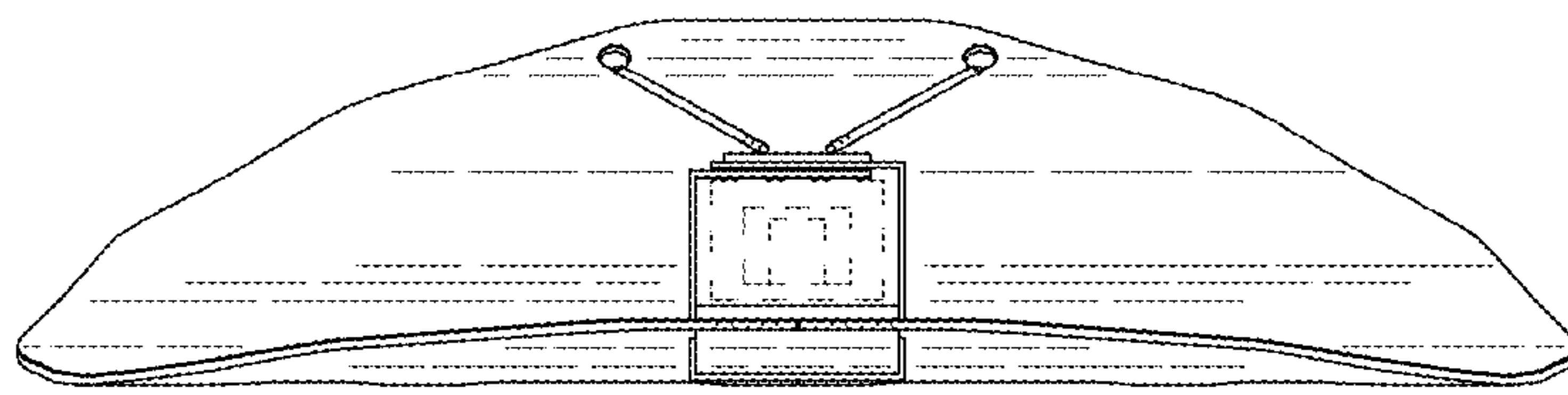


FIG. 38

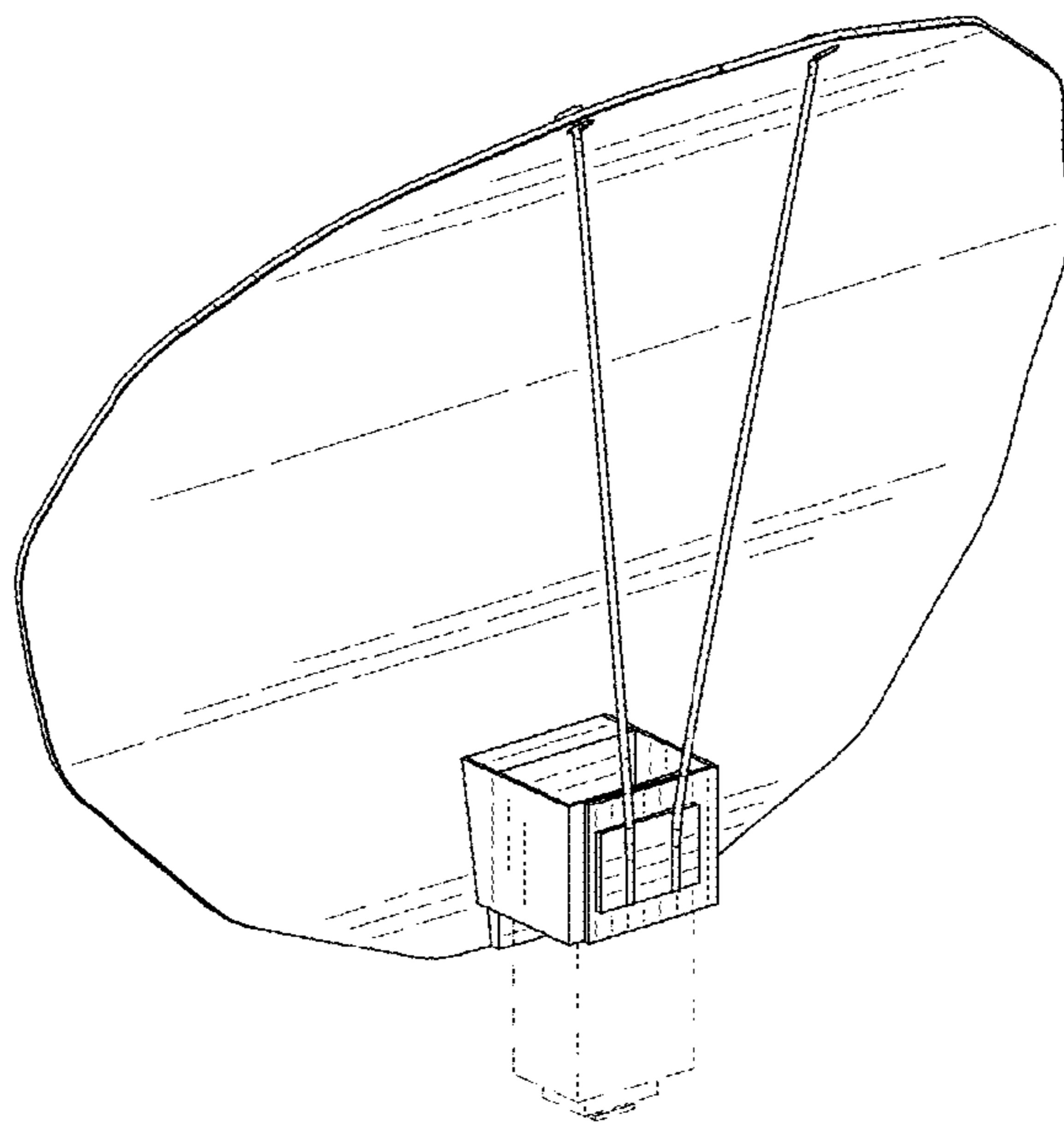


FIG. 39

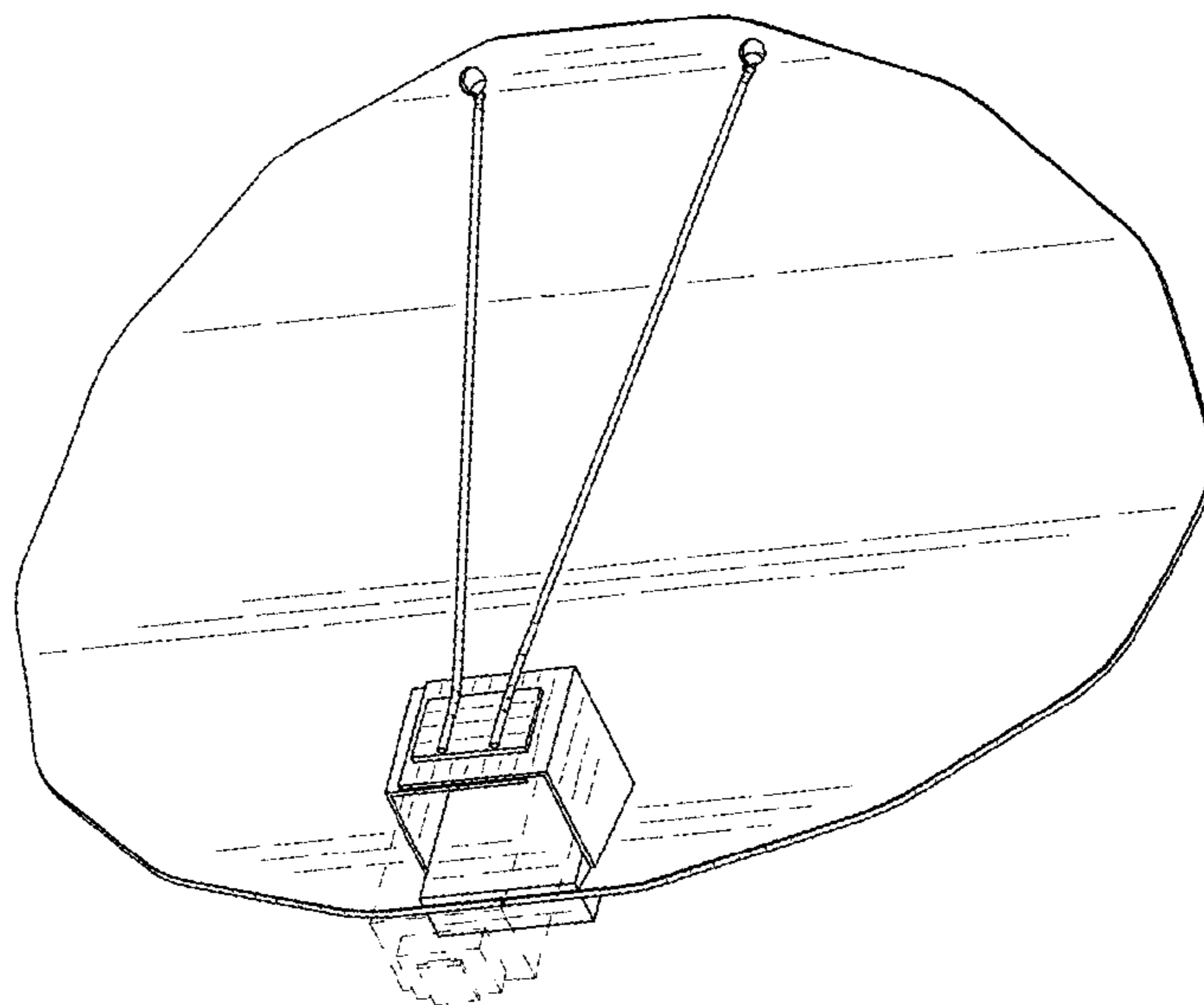


FIG. 40

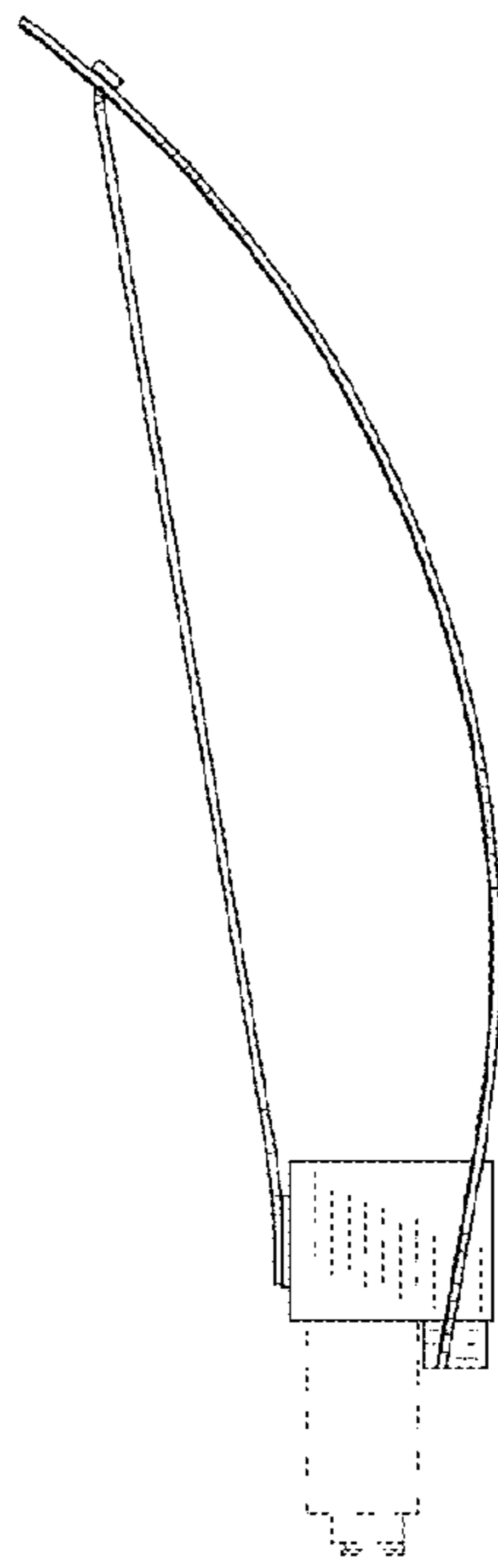


FIG. 41

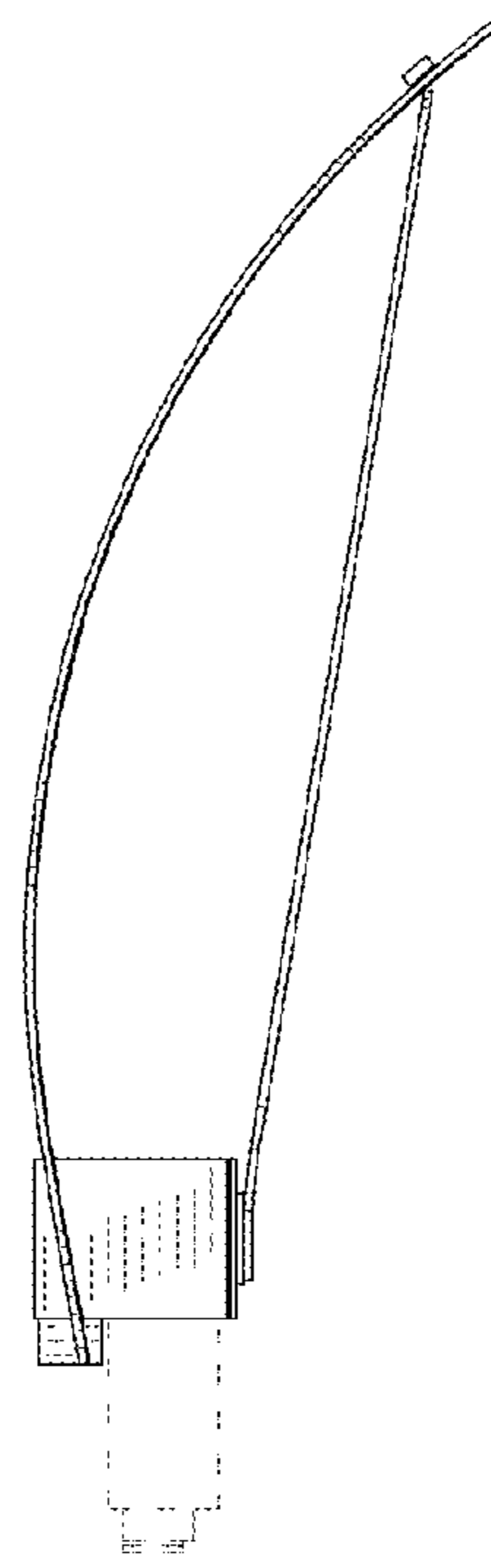


FIG. 42

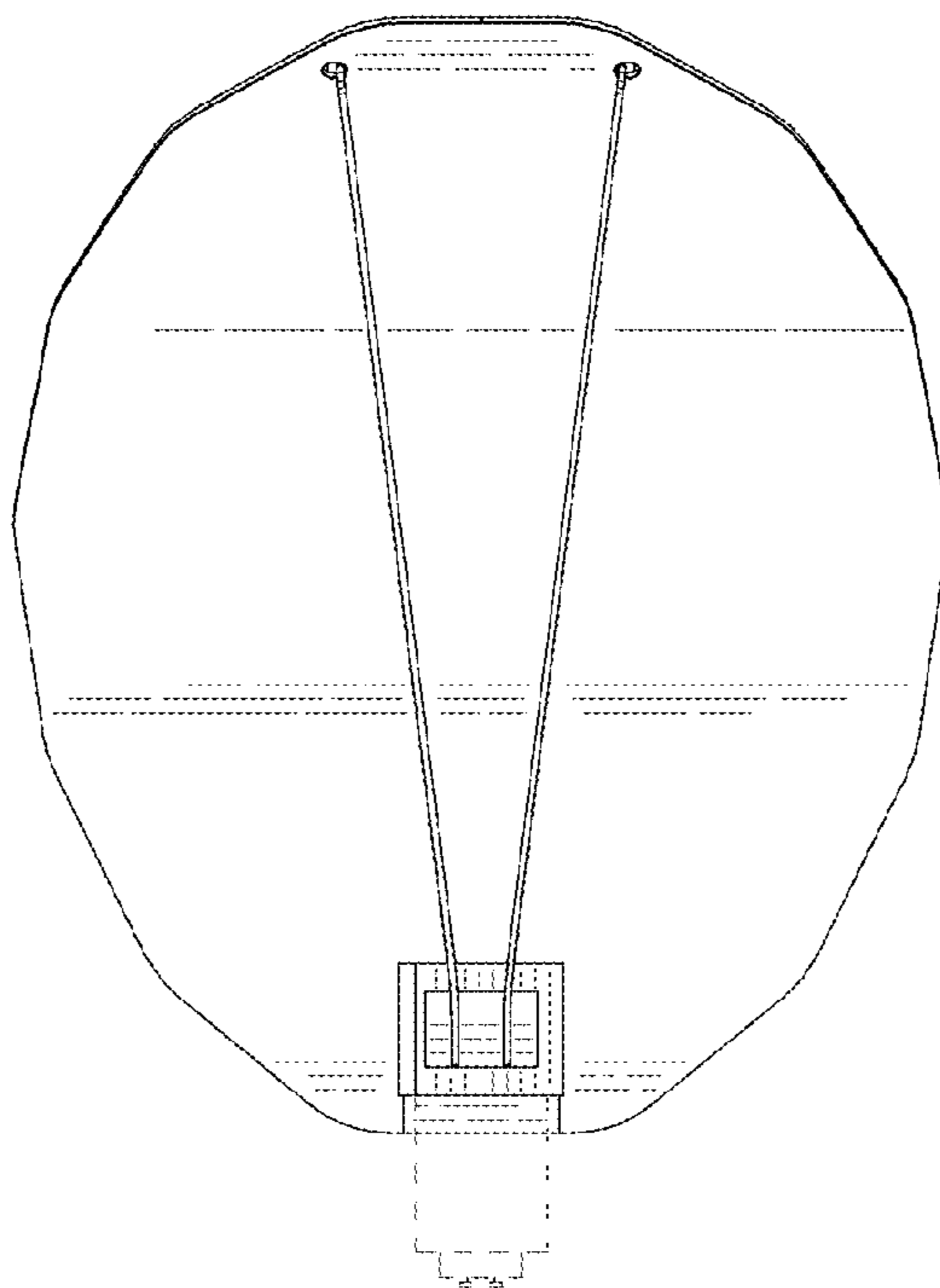


FIG. 43

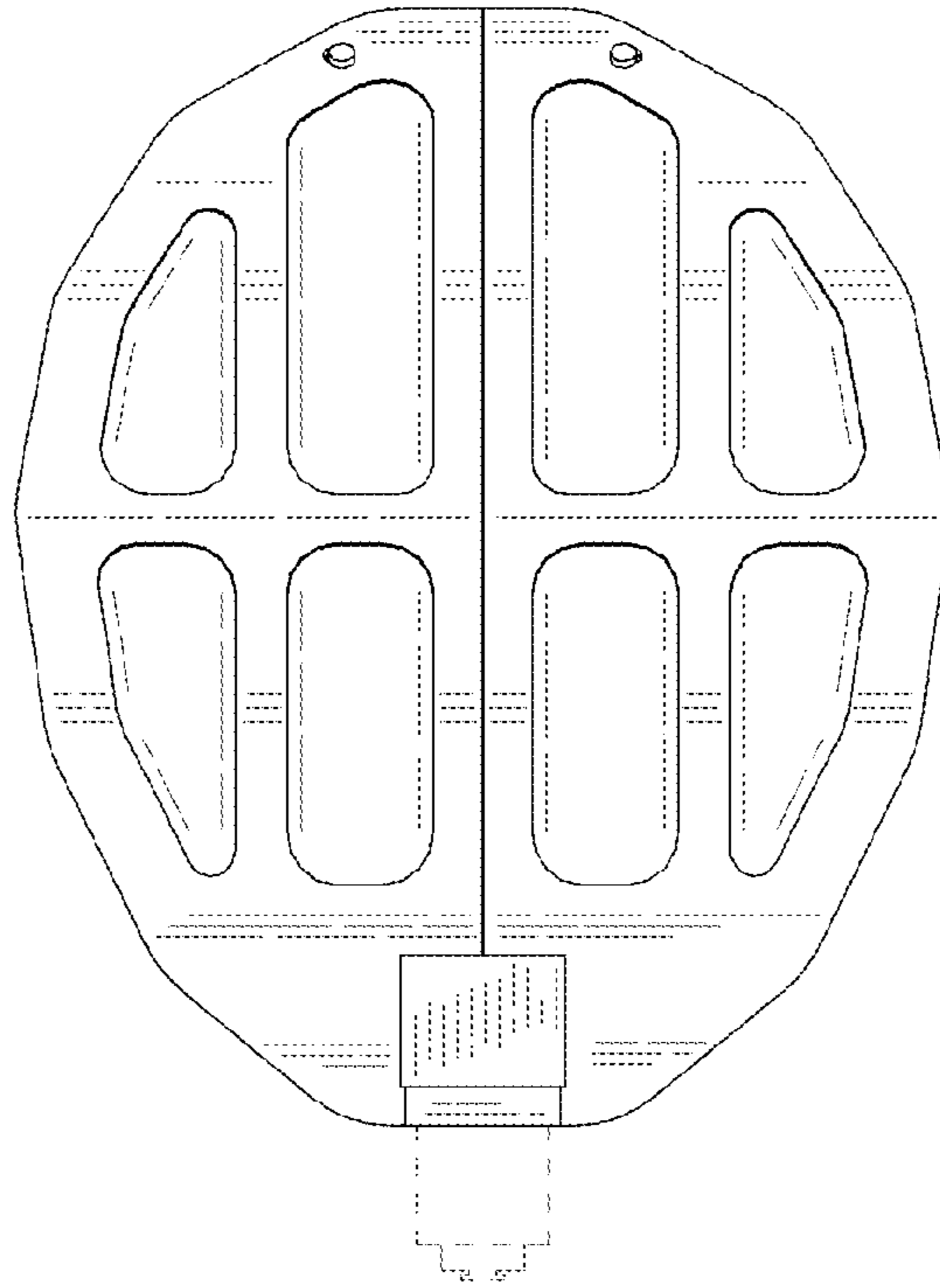


FIG. 44

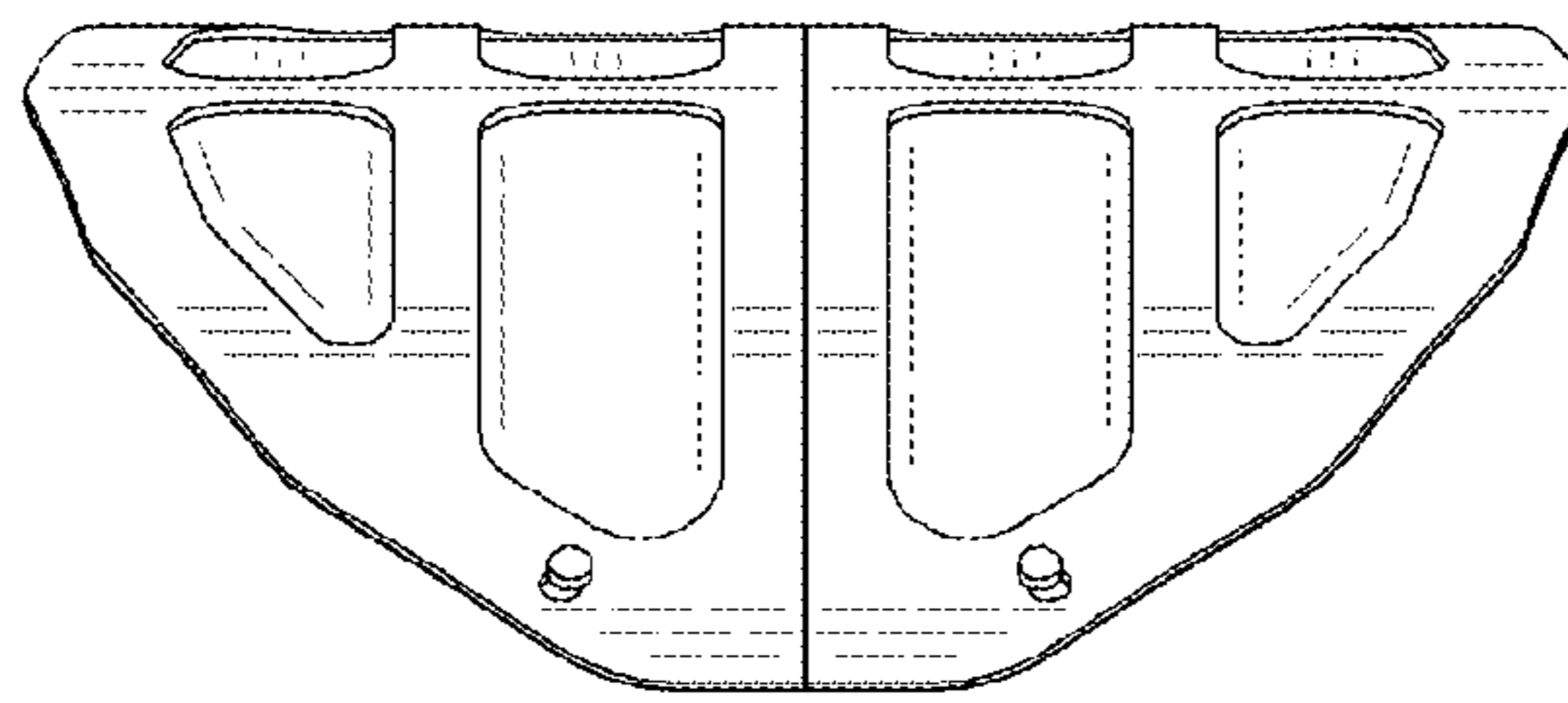


FIG. 45

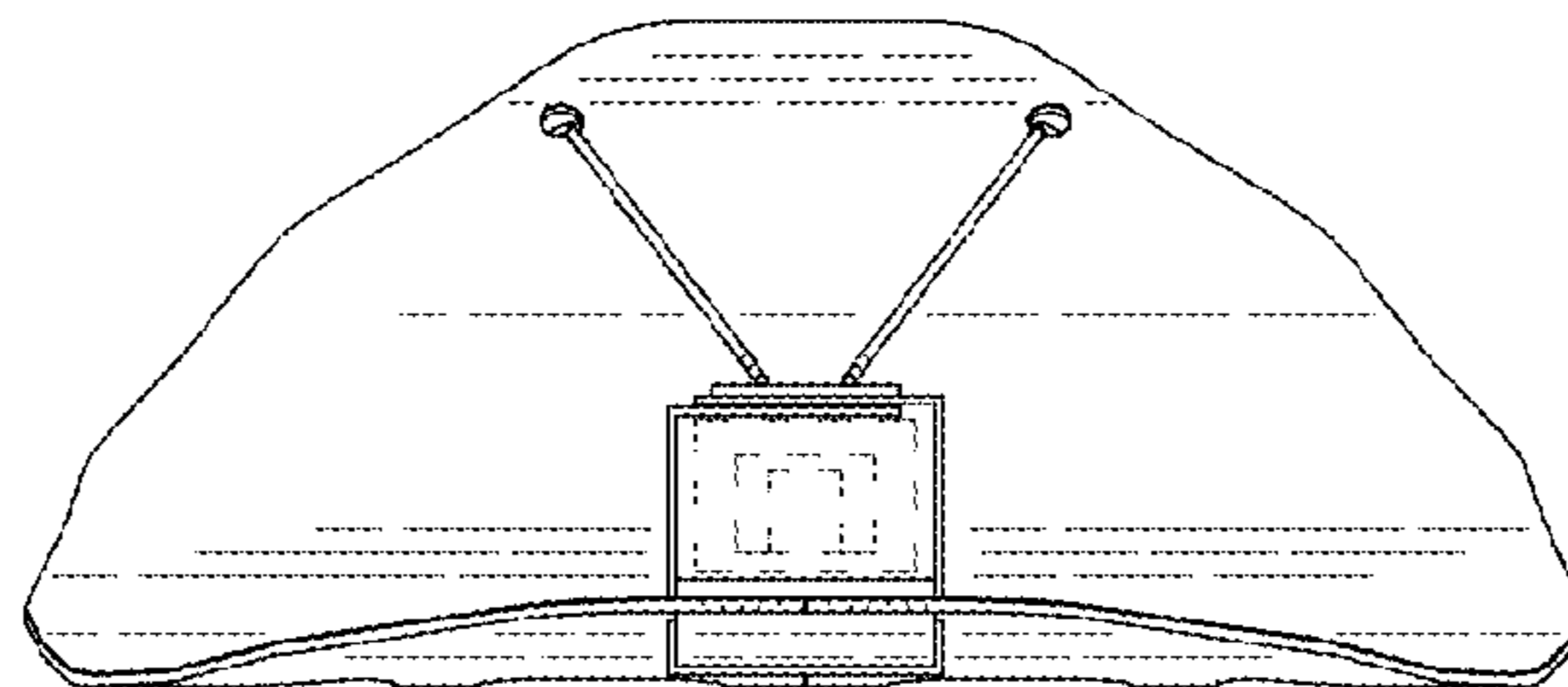


FIG. 46

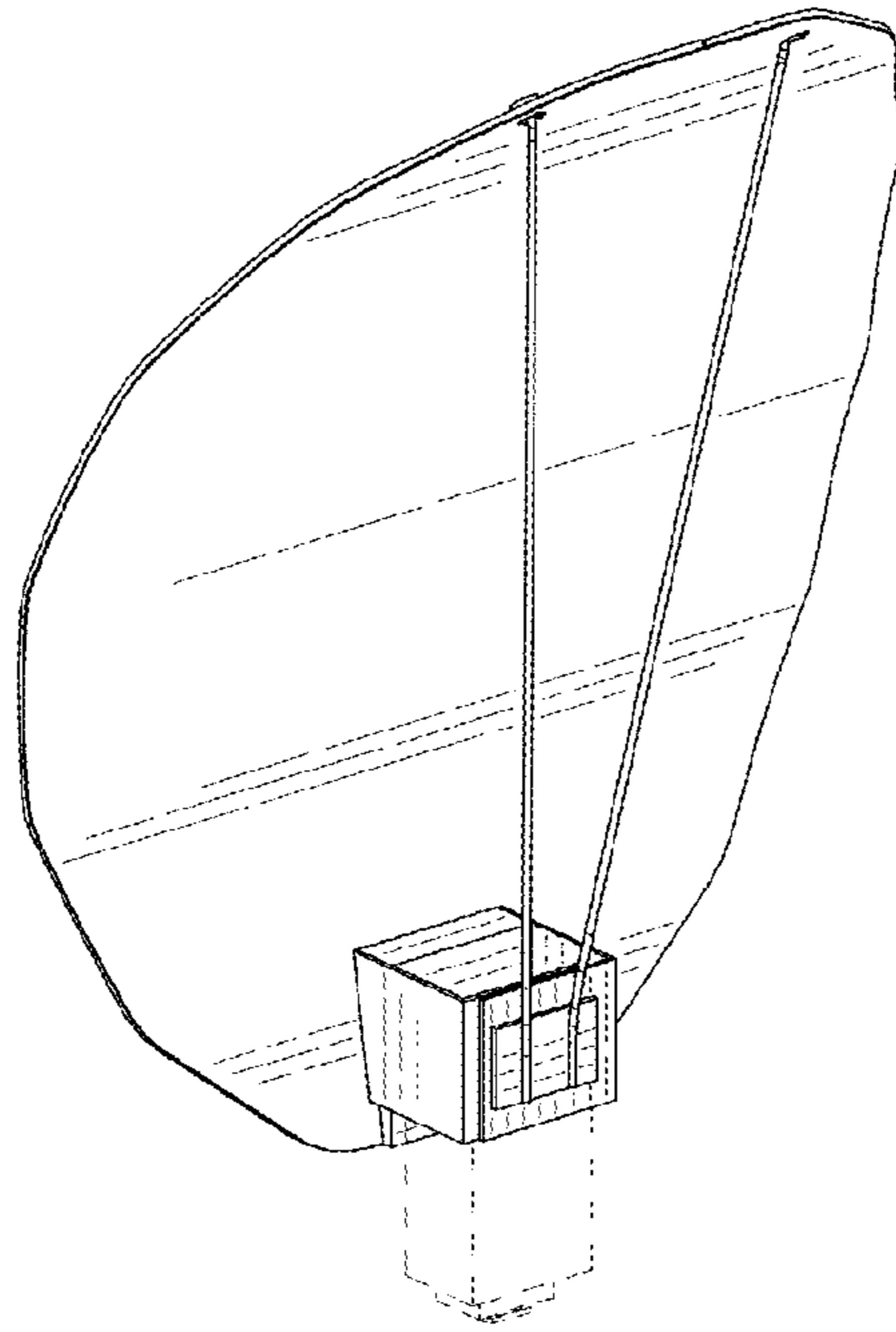


FIG. 47

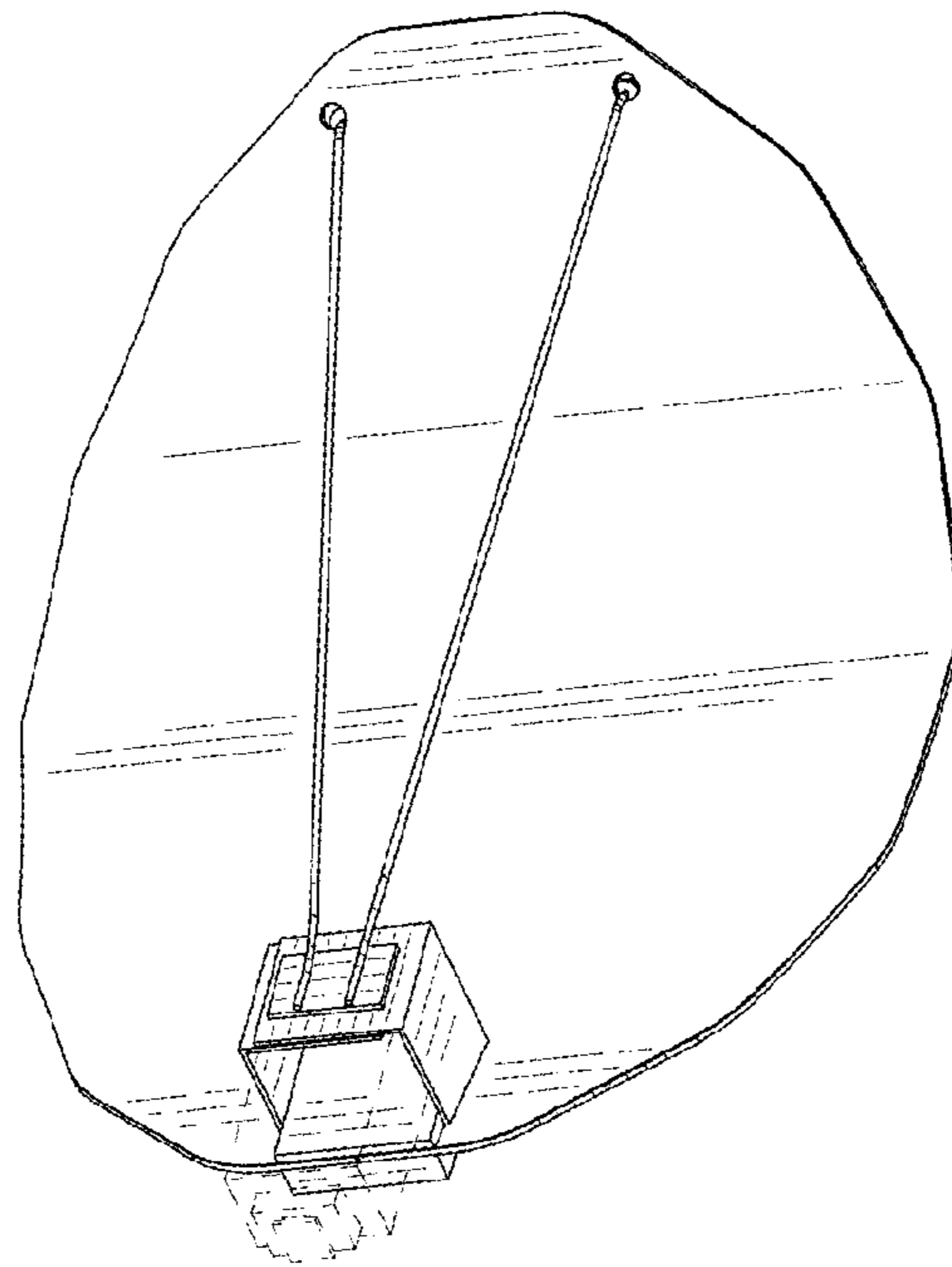


FIG. 48

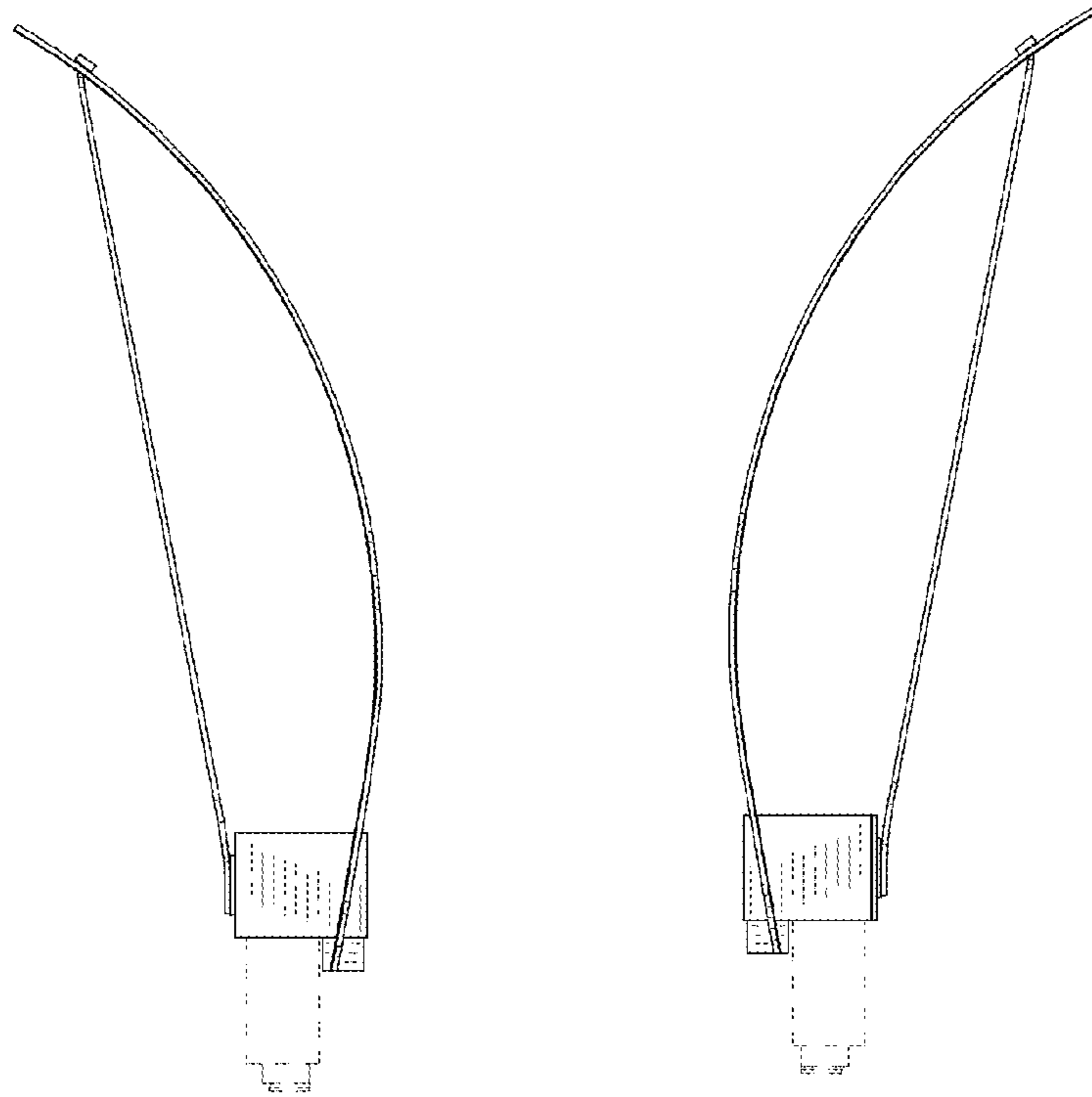


FIG. 49

FIG. 50

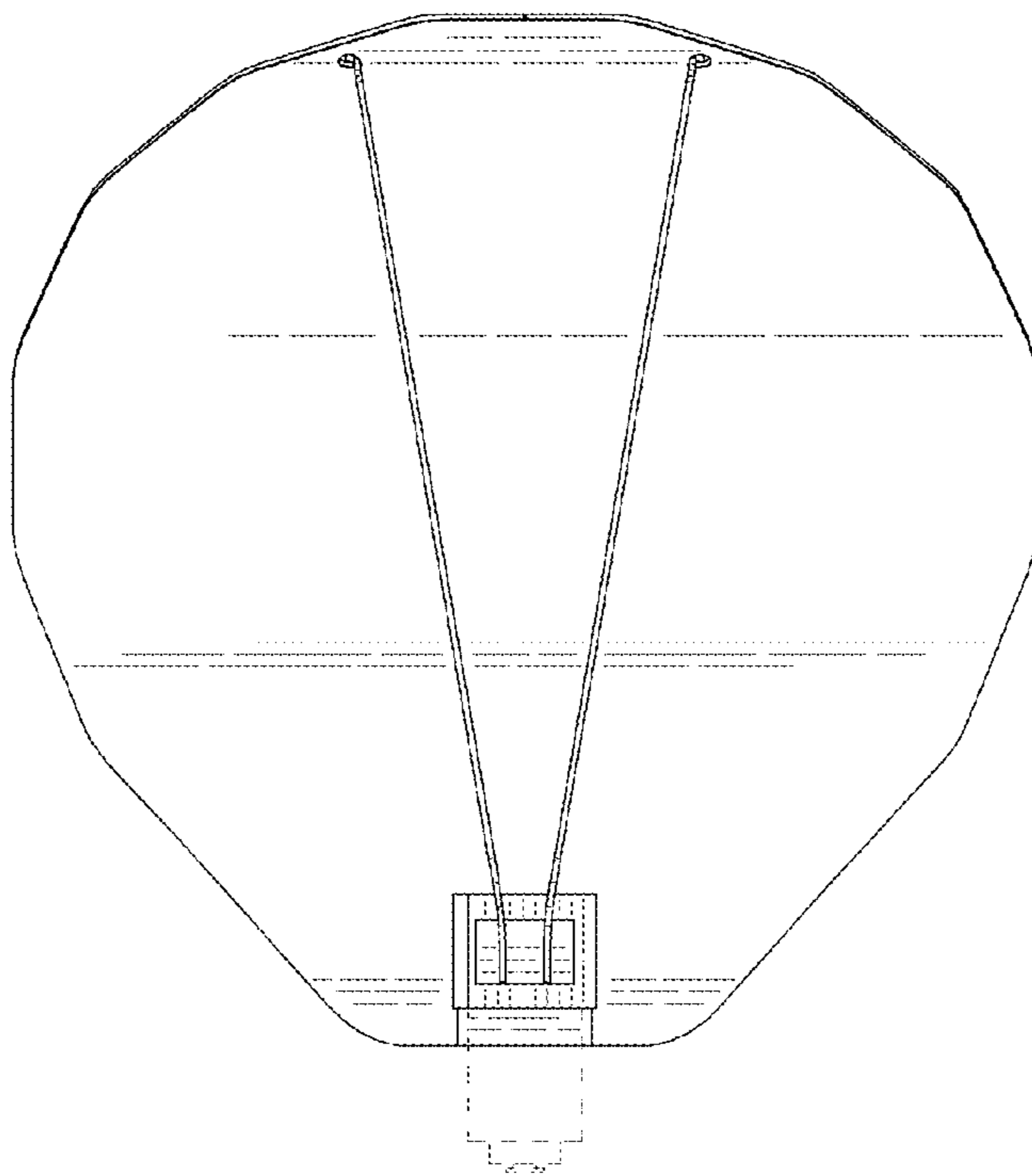


FIG. 51

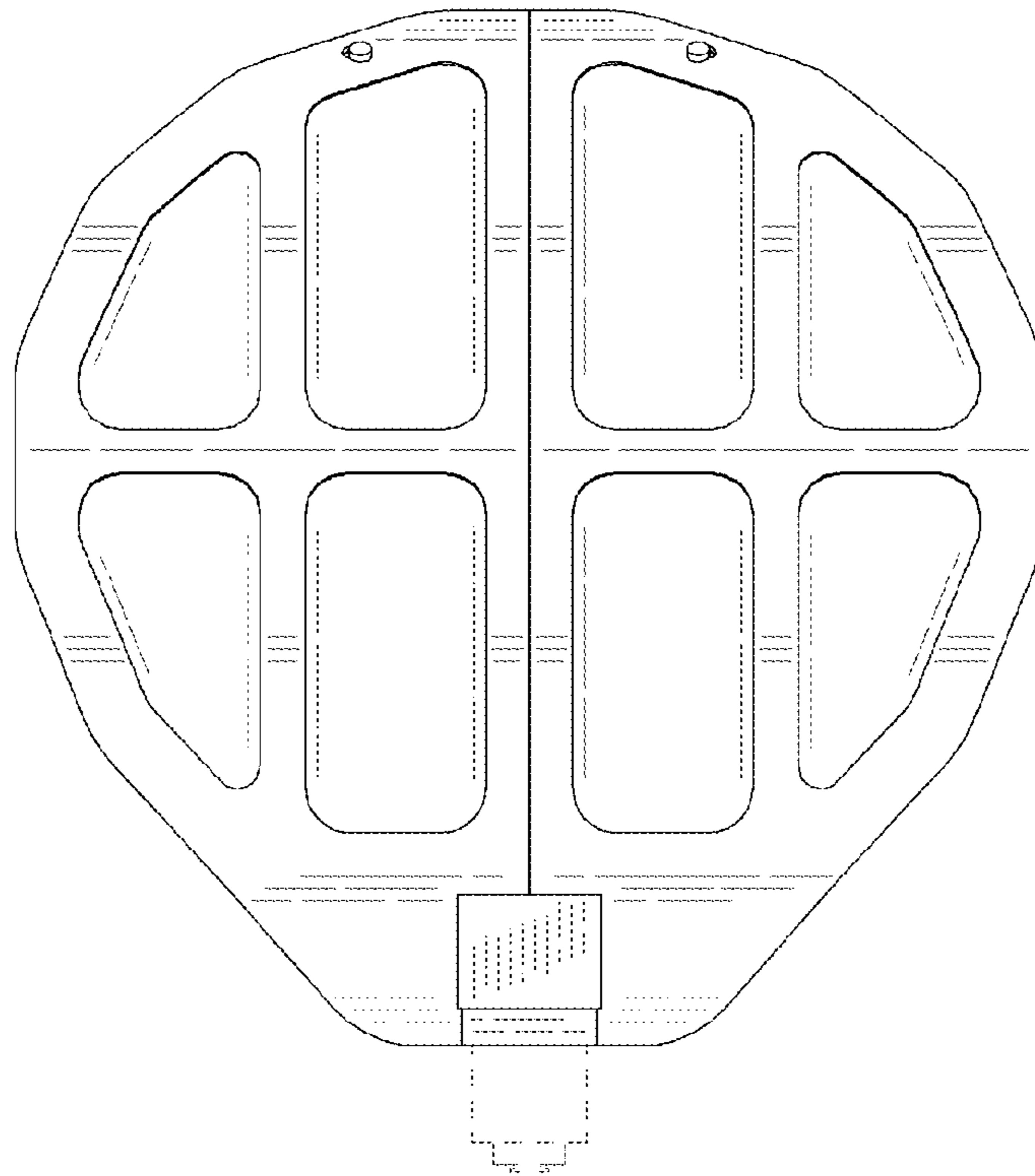


FIG. 52

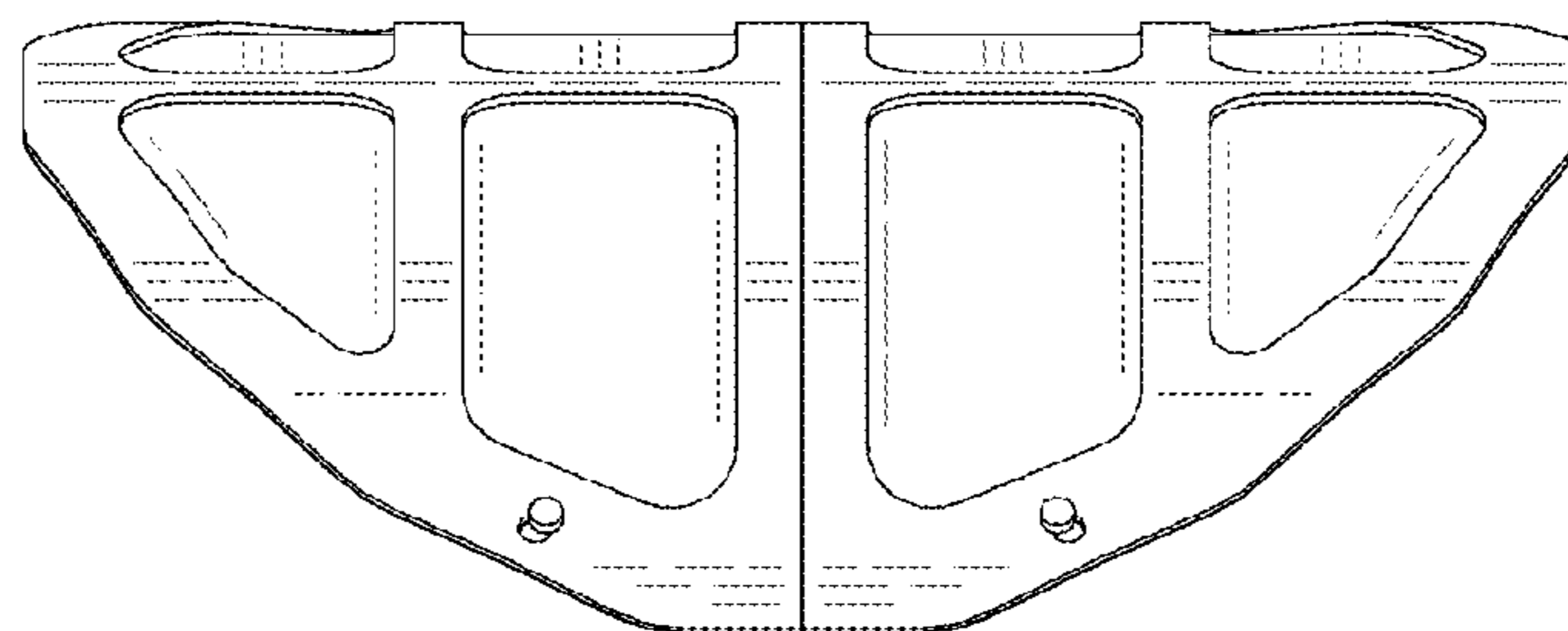


FIG. 53

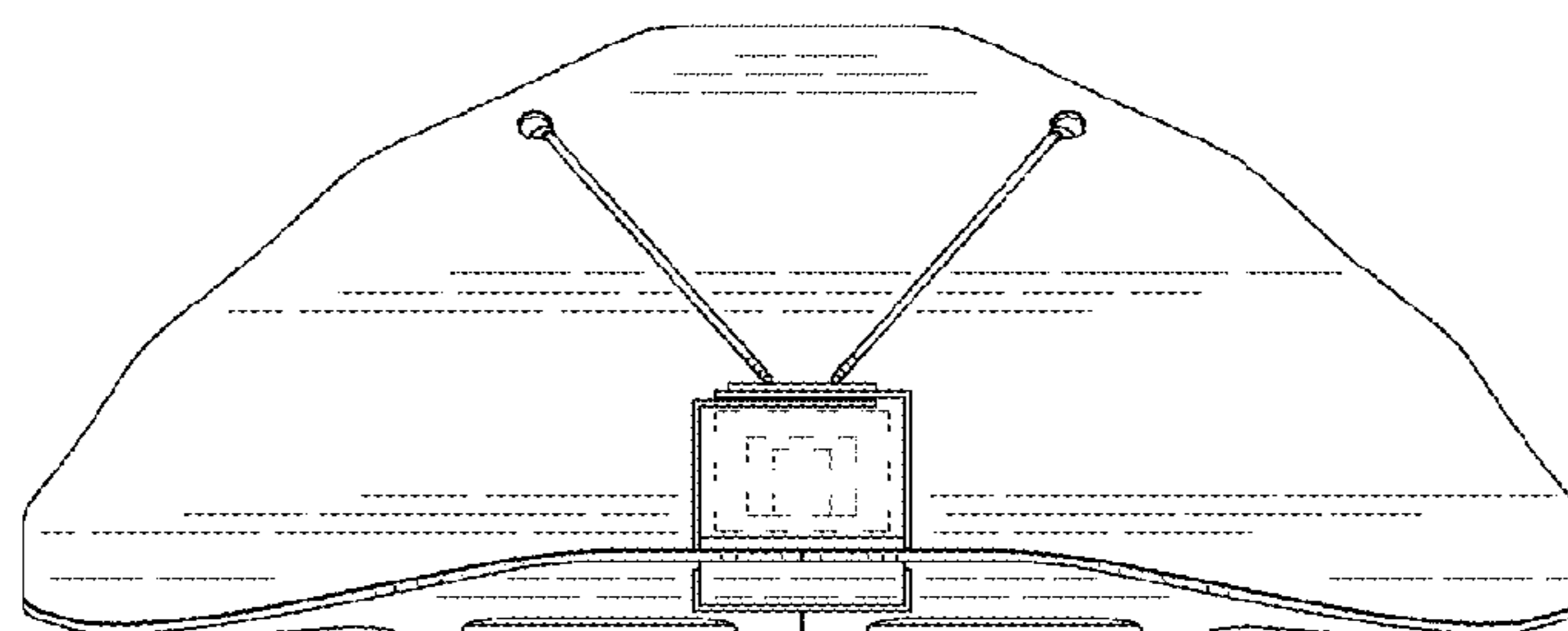


FIG. 54

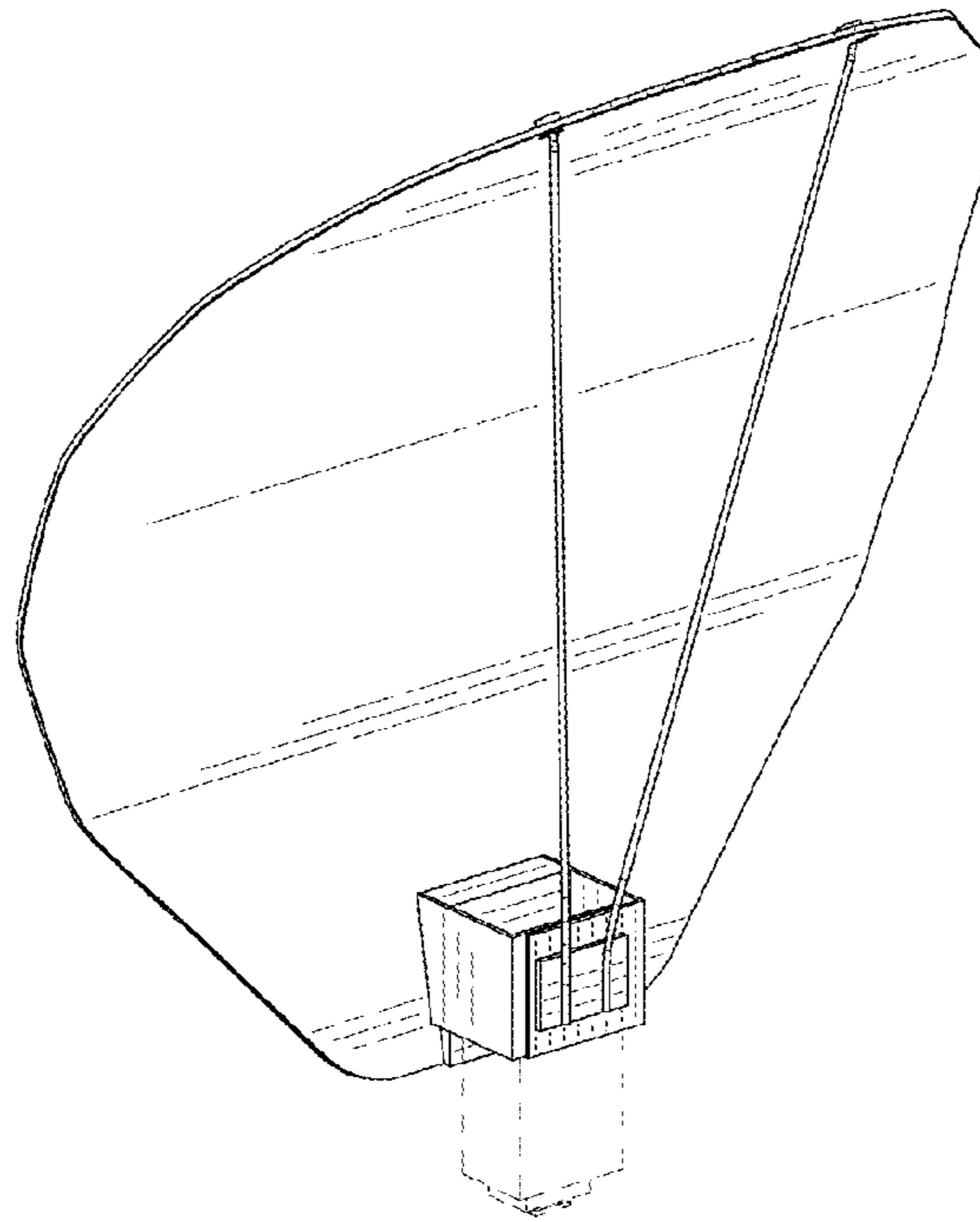


FIG. 55

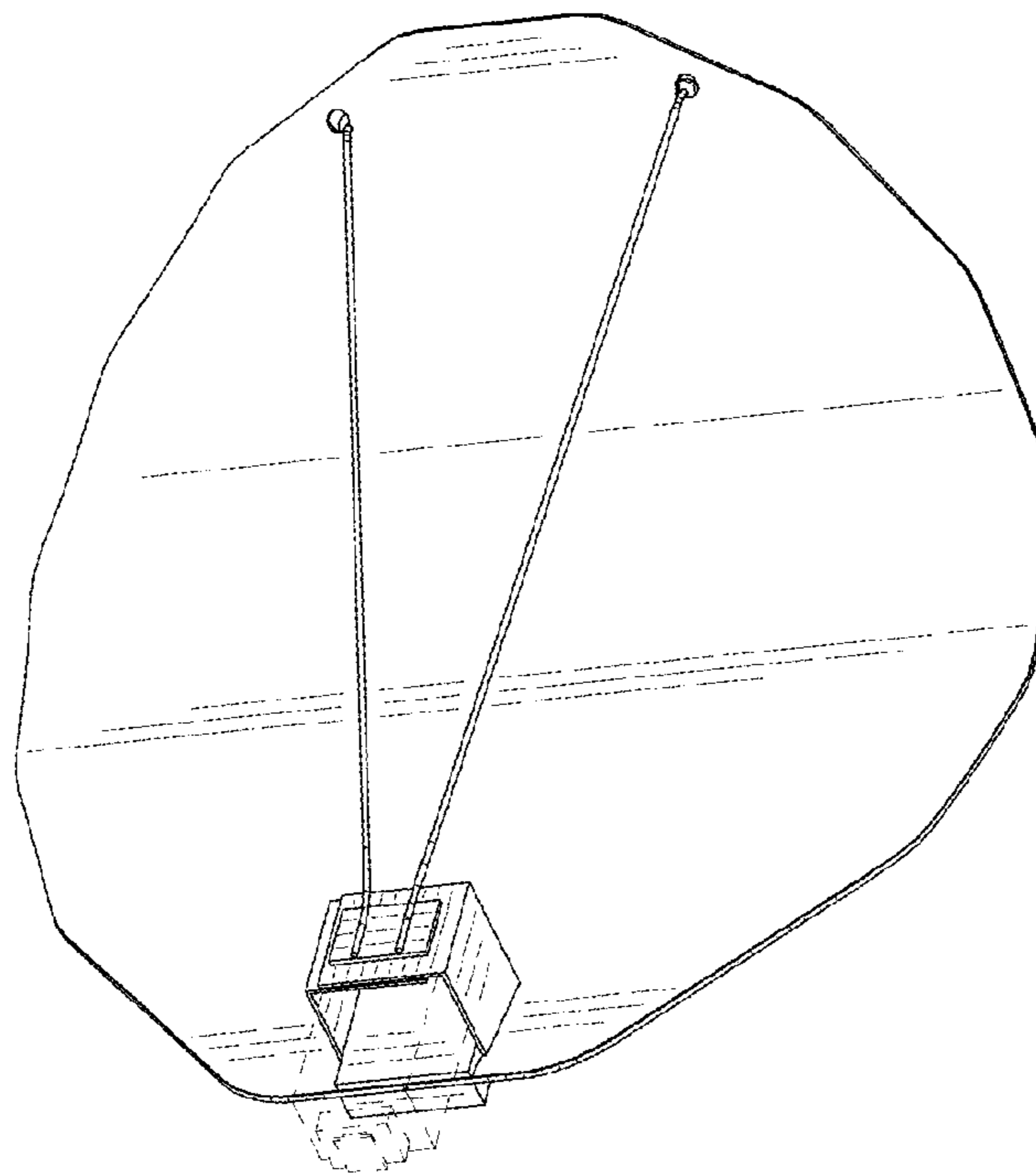


FIG. 56

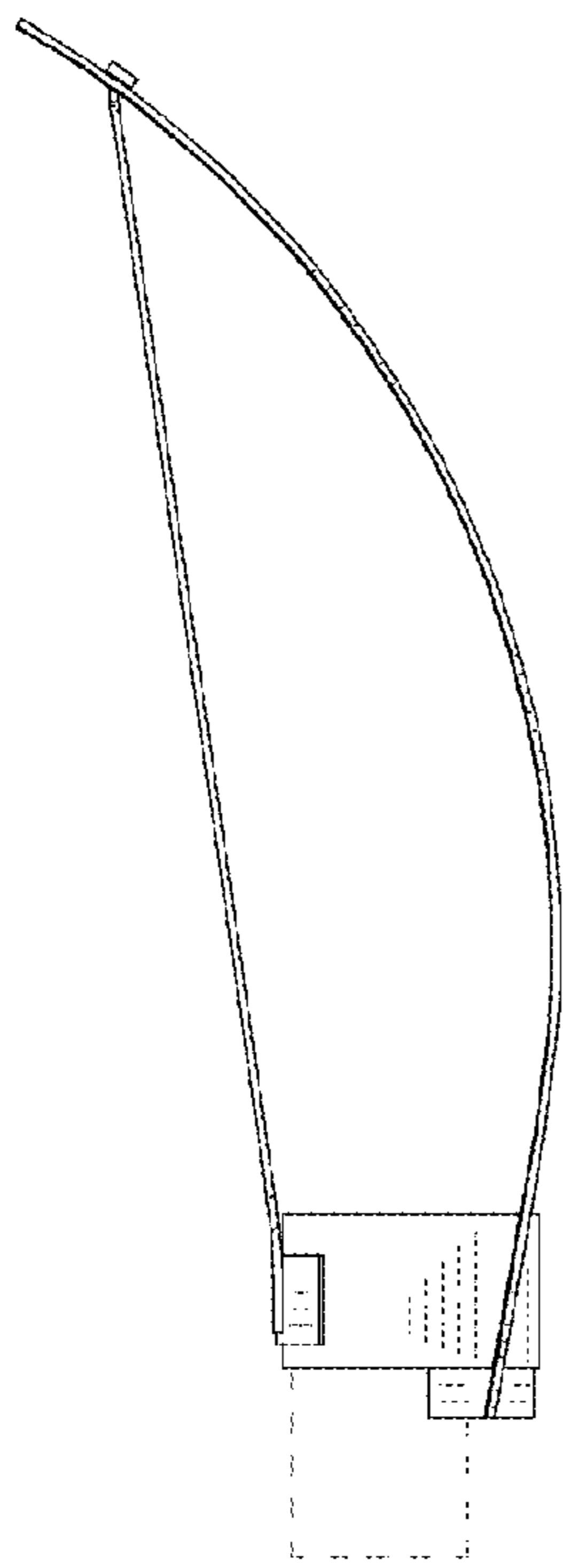


FIG. 57

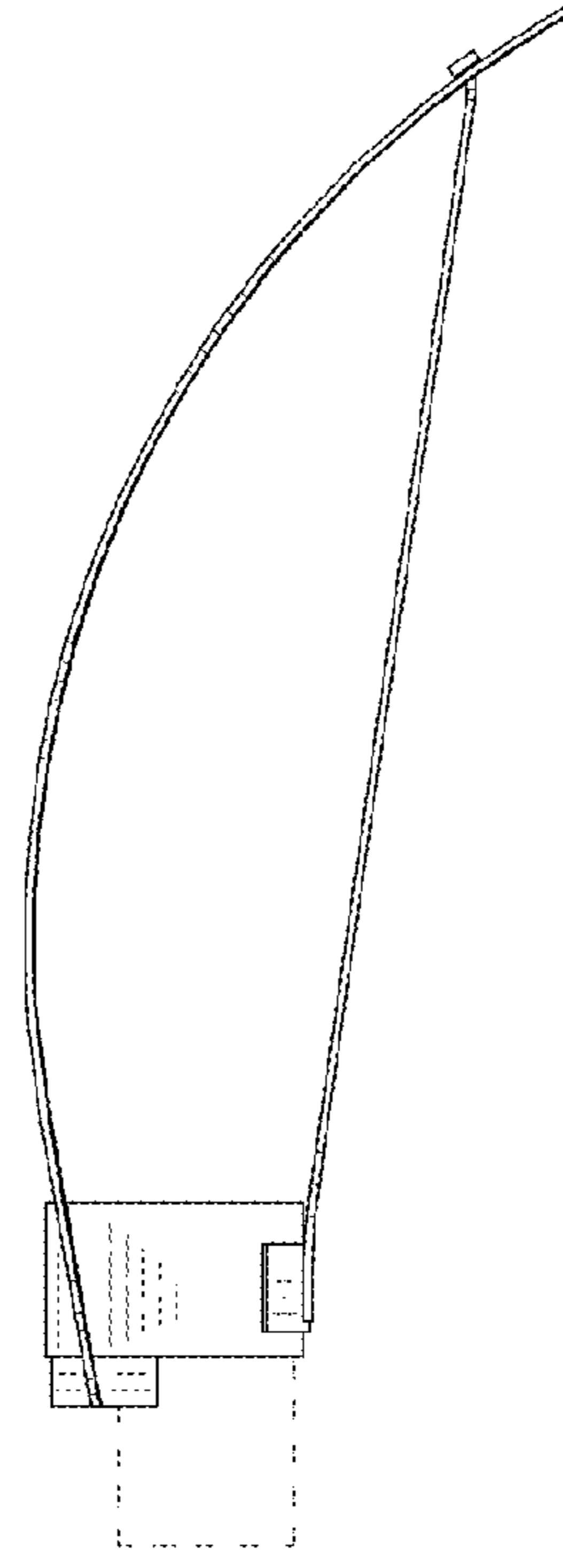


FIG. 58

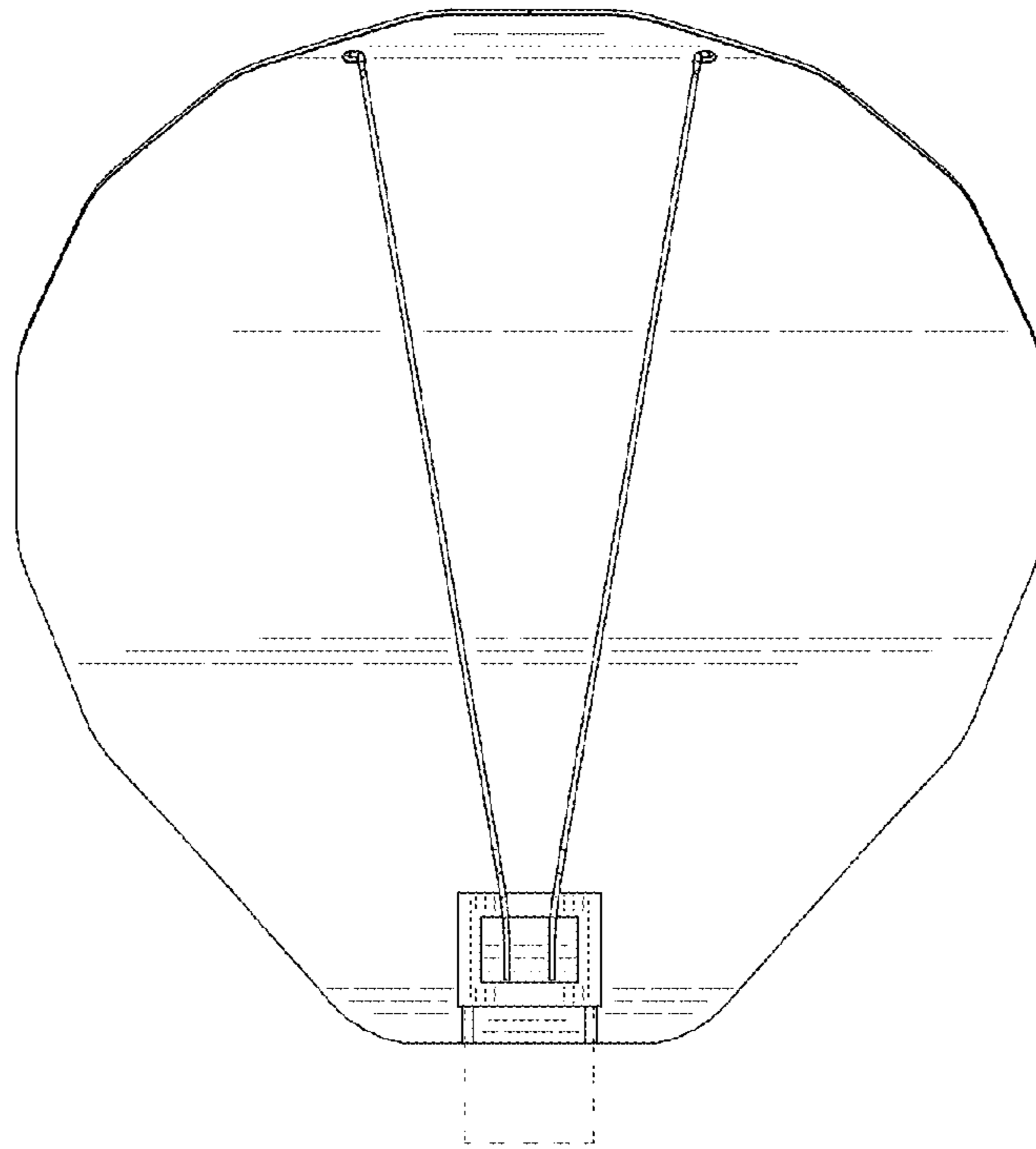


FIG. 59

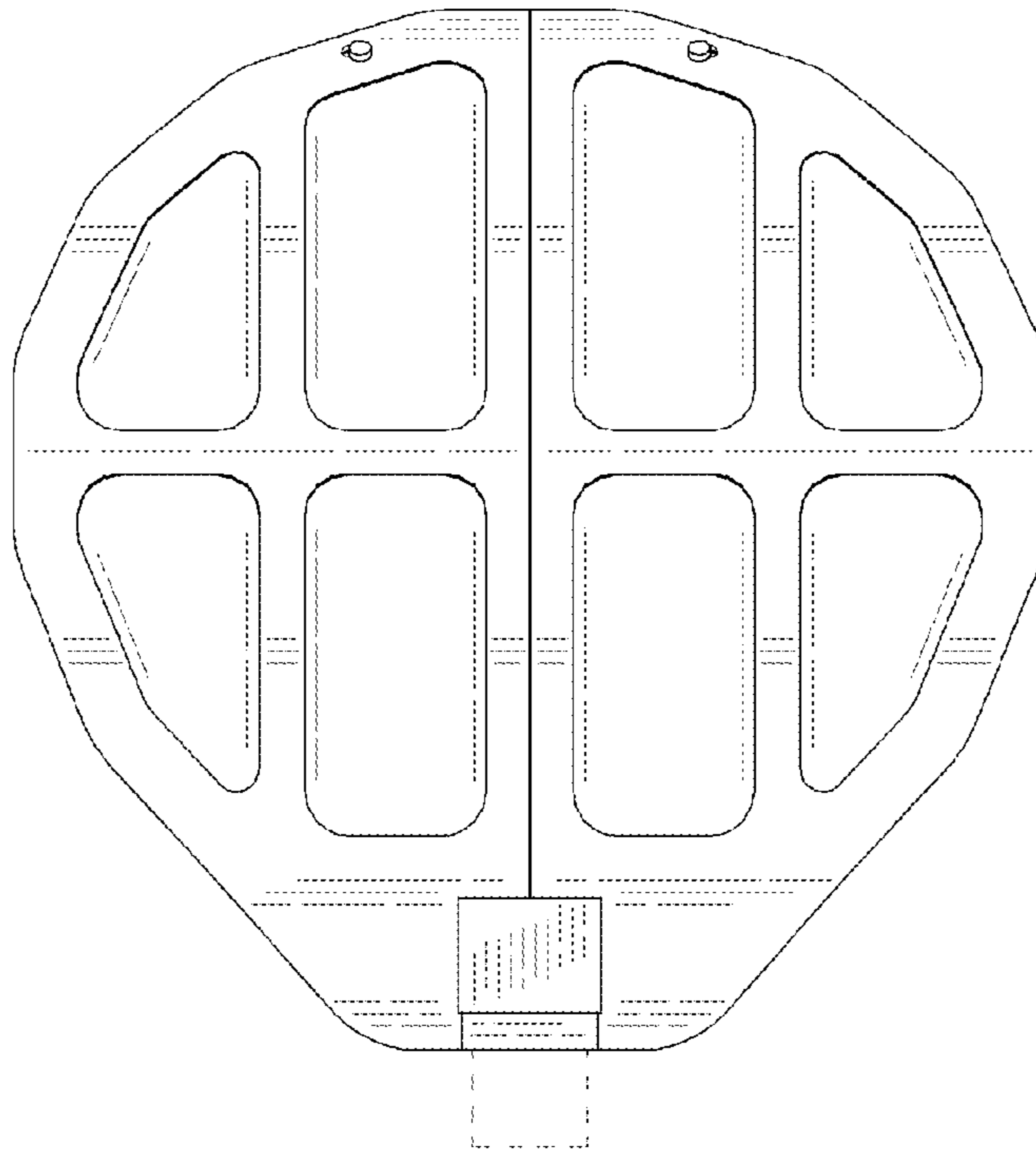


FIG. 60

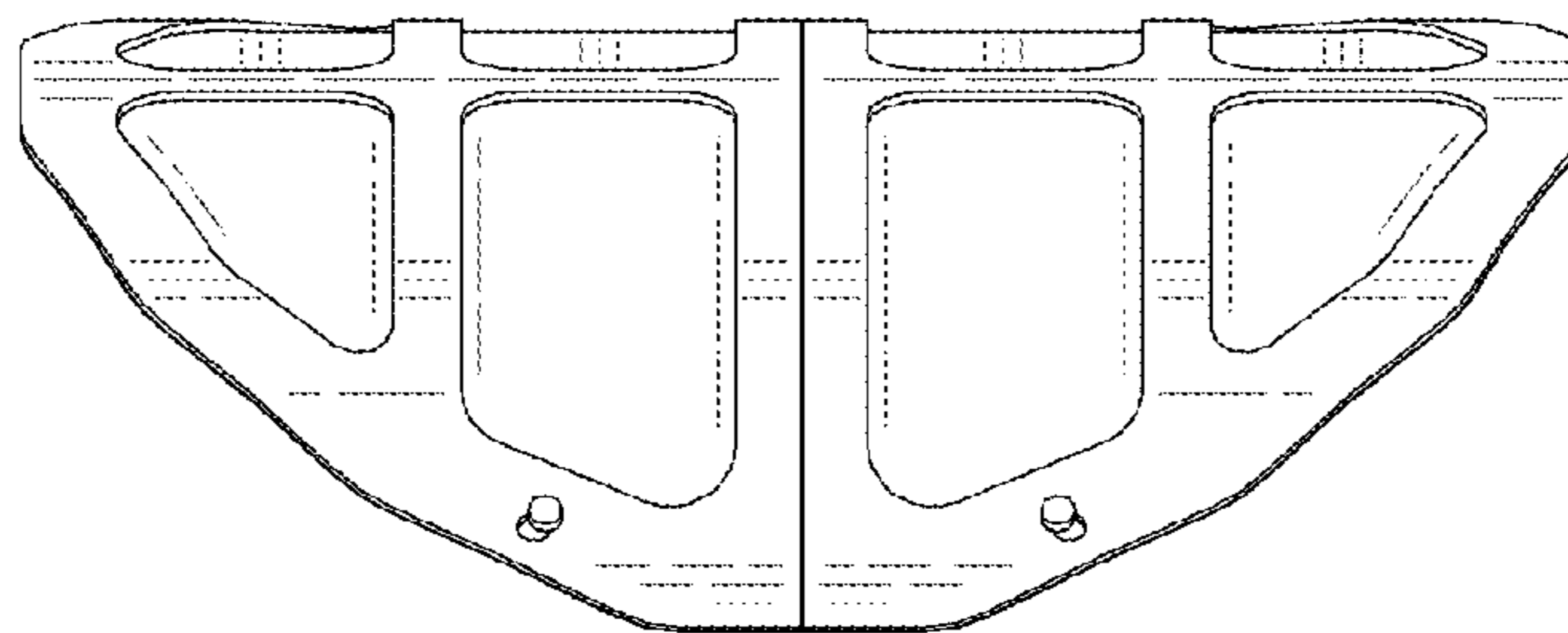


FIG. 61

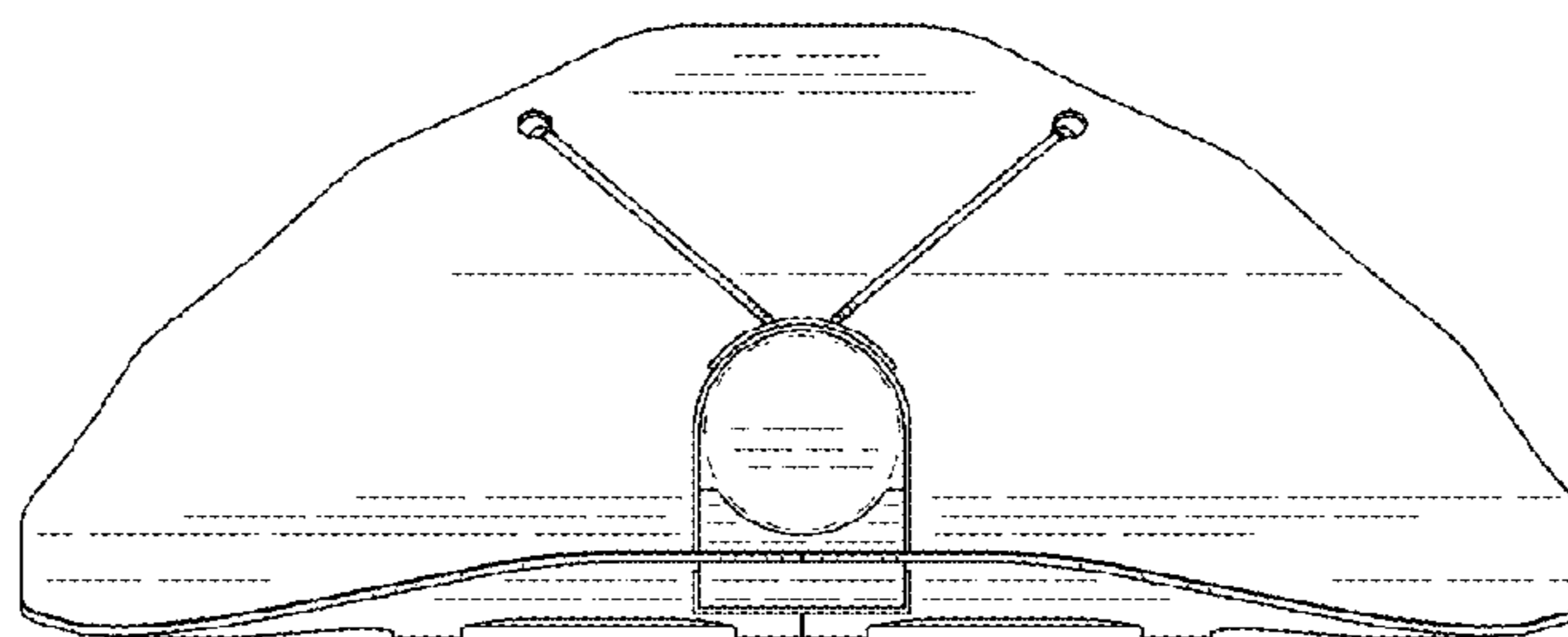


FIG. 62

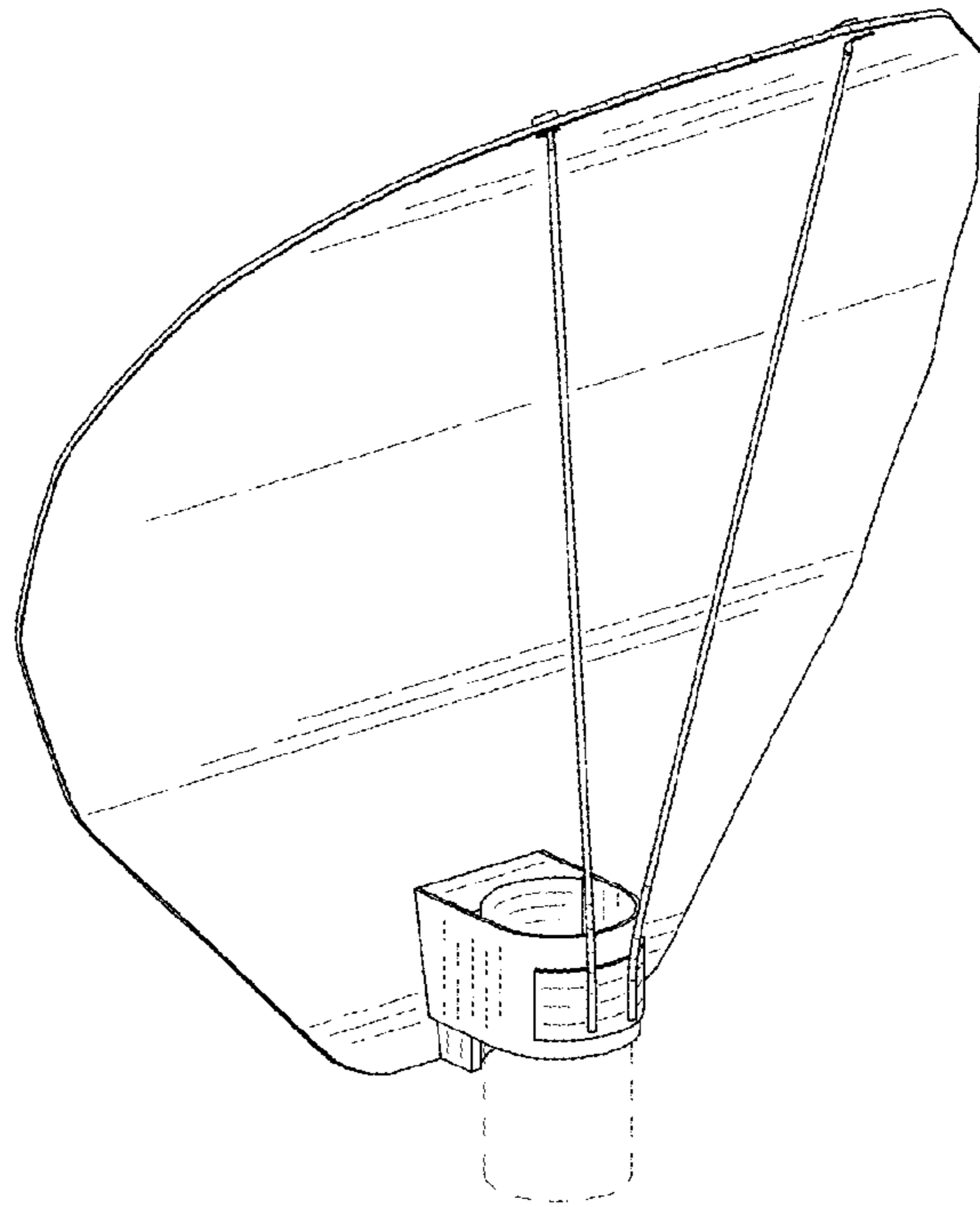


FIG. 63

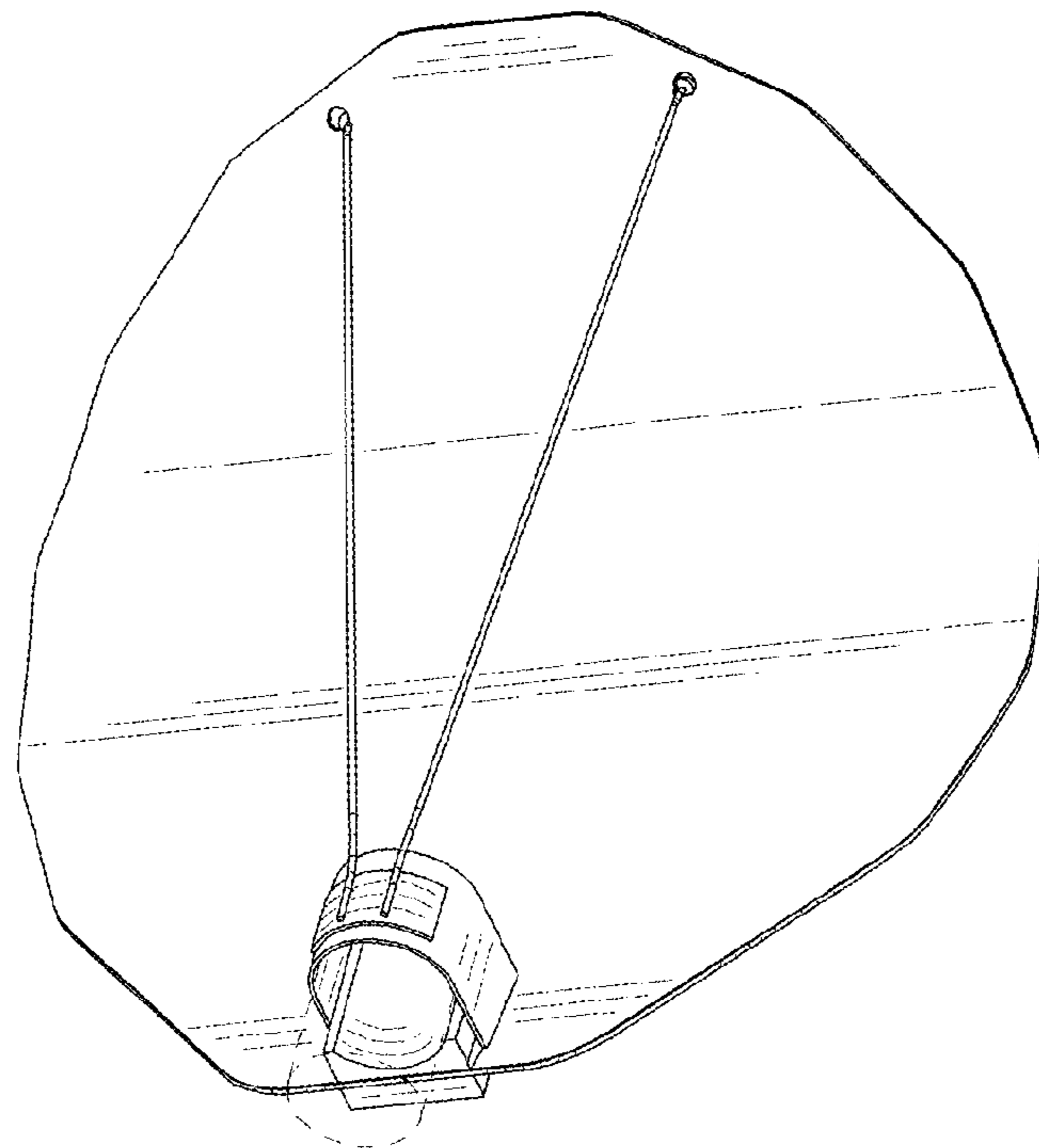


FIG. 64