



US00D698847S

(12) **United States Design Patent**
Tainaka

(10) **Patent No.:** **US D698,847 S**
(45) **Date of Patent:** **** Feb. 4, 2014**

(54) **INTERCHANGEABLE LENS FOR CAMERA**

(71) Applicant: **Olympus Imaging Corp.**, Tokyo (JP)

(72) Inventor: **Daisuke Tainaka**, Hachioji (JP)

(73) Assignee: **Olympus Imaging Corp.**, Tokyo (JP)

(**) Term: **14 Years**

(21) Appl. No.: **29/438,246**

(22) Filed: **Nov. 28, 2012**

(30) **Foreign Application Priority Data**

Sep. 13, 2012 (JP) 2012-022214

(51) **LOC (10) Cl.** **16-05**

(52) **U.S. Cl.**
USPC **D16/219**

(58) **Field of Classification Search**
USPC D16/134, 136, 216–218, 219;
348/373–374; 359/814, 815, 819,
359/826–828; 396/529, 535

See application file for complete search history.

(56) **References Cited**

U.S. PATENT DOCUMENTS

1,262,347 A * 4/1918 Ide 359/823
D183,253 S * 7/1958 Gebele D16/134
3,896,463 A * 7/1975 Laskey 396/529

4,533,212 A * 8/1985 Shimizu 359/827
D529,065 S * 9/2006 Watanabe D16/219
D650,821 S * 12/2011 Verhey D16/134
D664,580 S * 7/2012 Sigward D16/219

* cited by examiner

Primary Examiner — Adir Aronovich

(74) *Attorney, Agent, or Firm* — Holtz, Holtz, Goodman & Chick, PC

(57) **CLAIM**

The ornamental design for an interchangeable lens for camera, as shown and described.

DESCRIPTION

FIG. 1 is a front, top and right side perspective view of an interchangeable lens for camera showing my new design; FIG. 2 is a front elevational view thereof; FIG. 3 is a rear elevational view thereof; FIG. 4 is a top plan view thereof; FIG. 5 is a bottom plan view thereof; FIG. 6 is a right side elevational view thereof; FIG. 7 is a left side elevational view thereof; FIG. 8 is a front, top and right side perspective view showing a state where a knob of the interchangeable lens for camera is slid and a barrier is opened; and, FIG. 9 is a front elevational view showing a state where the knob of the interchangeable lens for camera is slid and the barrier is opened.

1 Claim, 7 Drawing Sheets

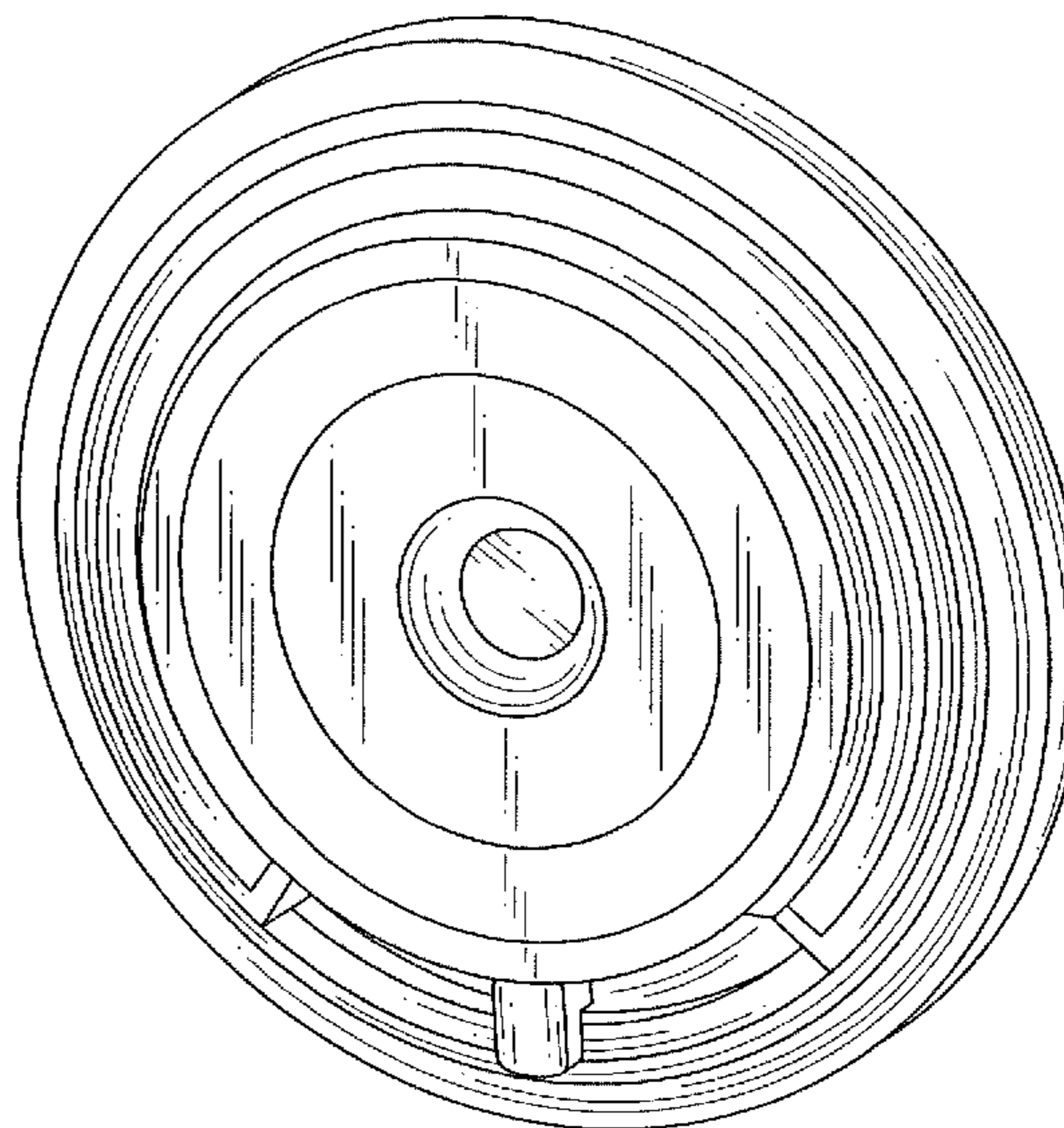
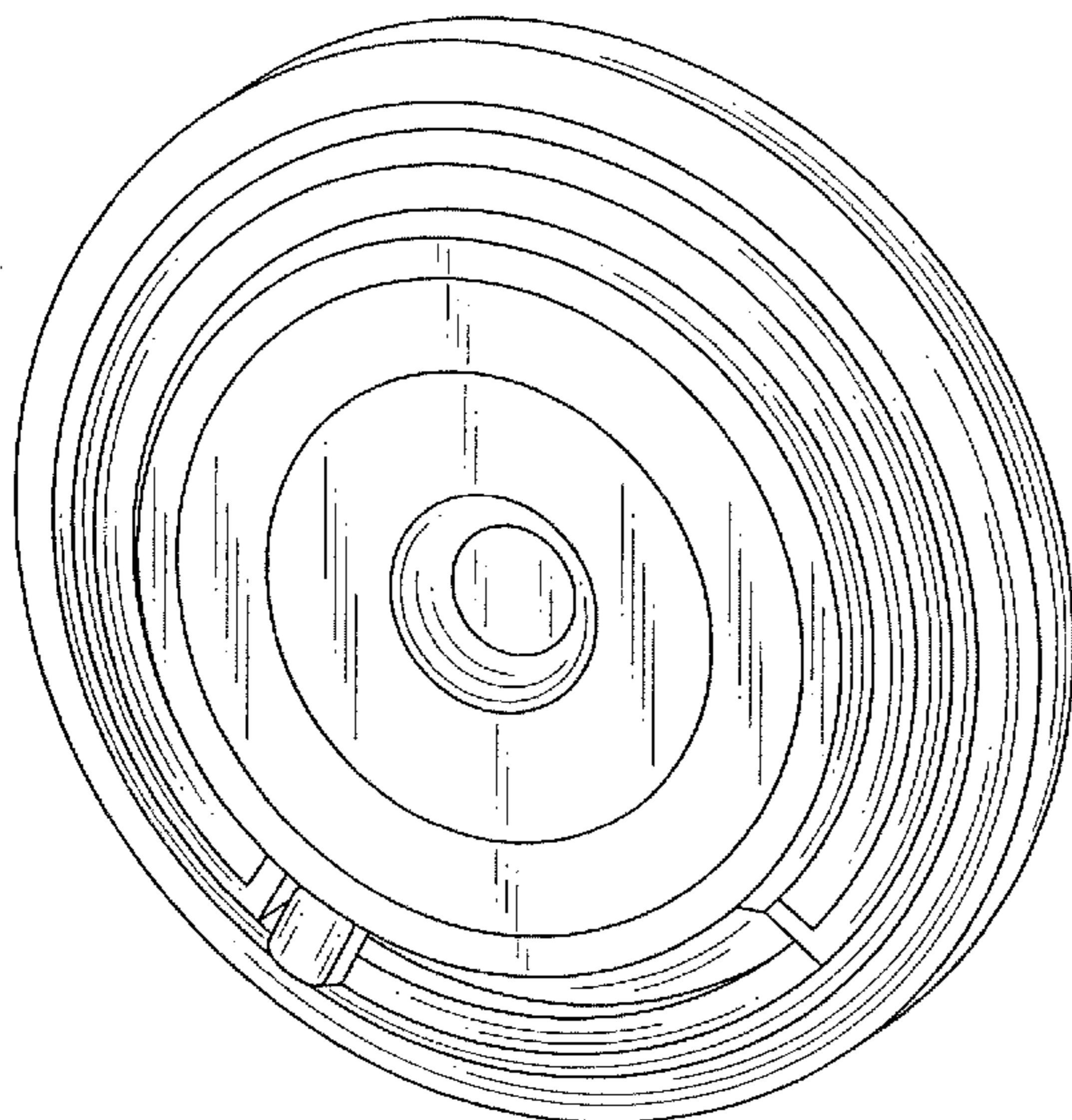


FIG.1

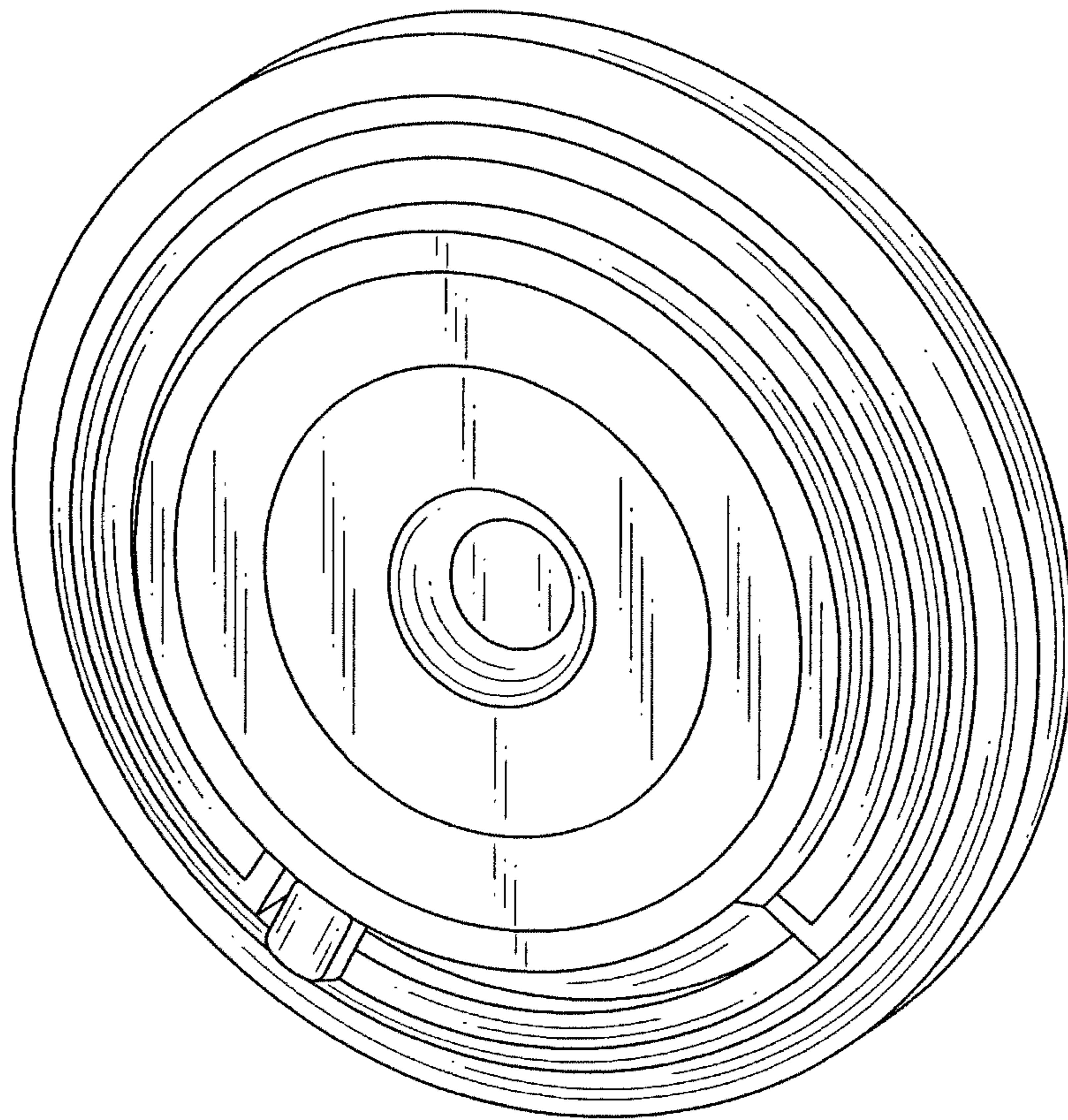


FIG.2

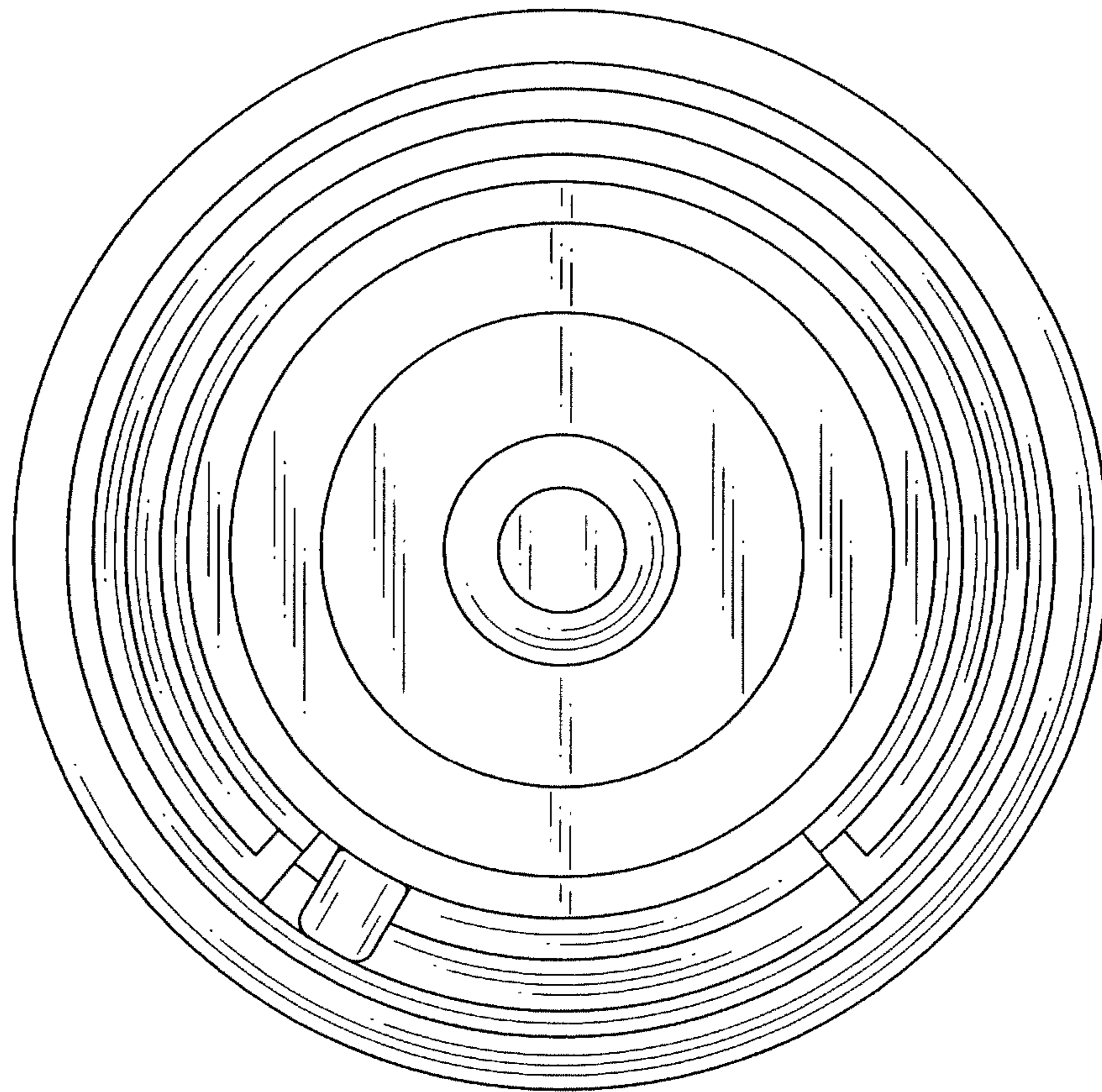


FIG.3

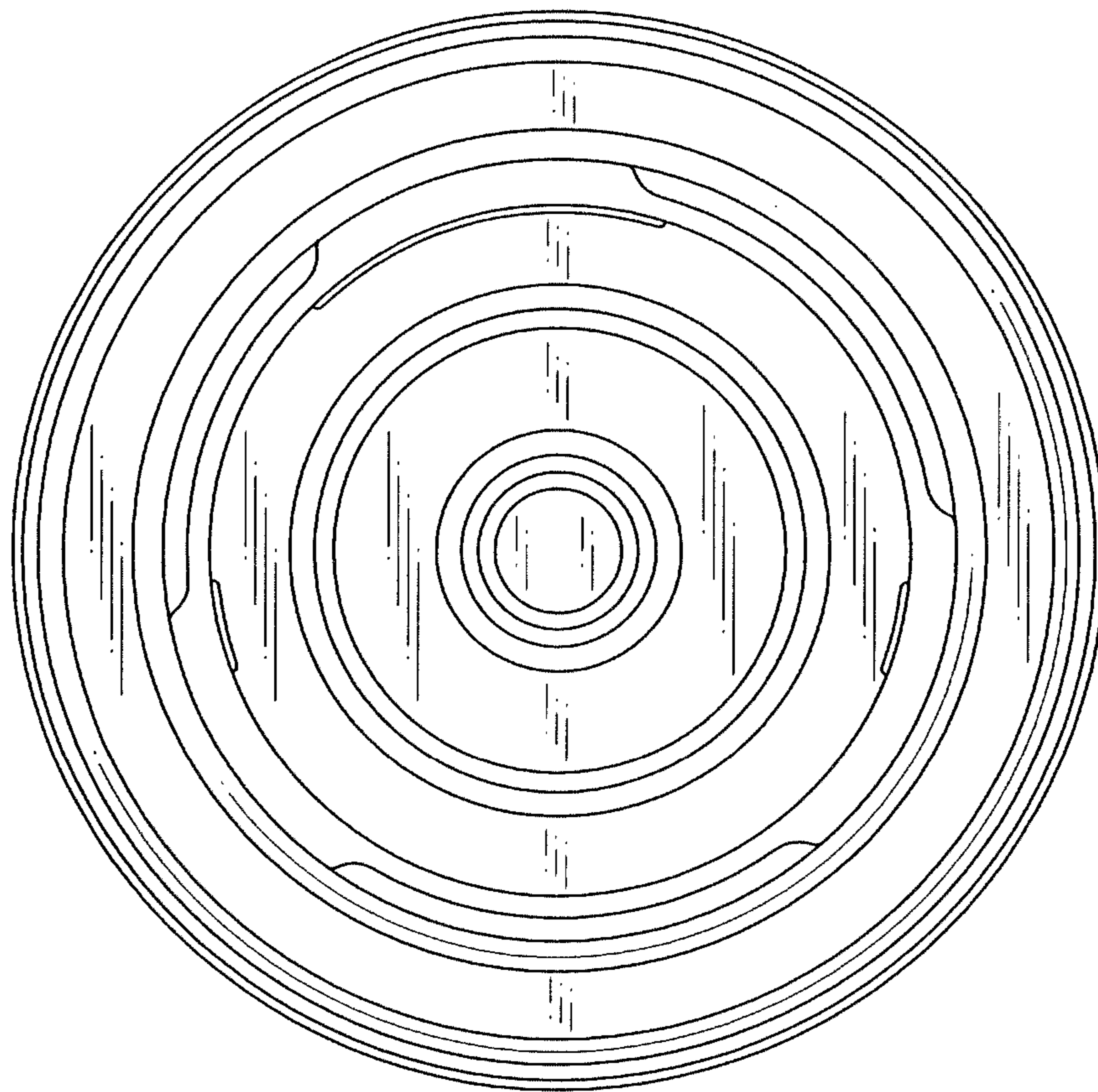


FIG.4

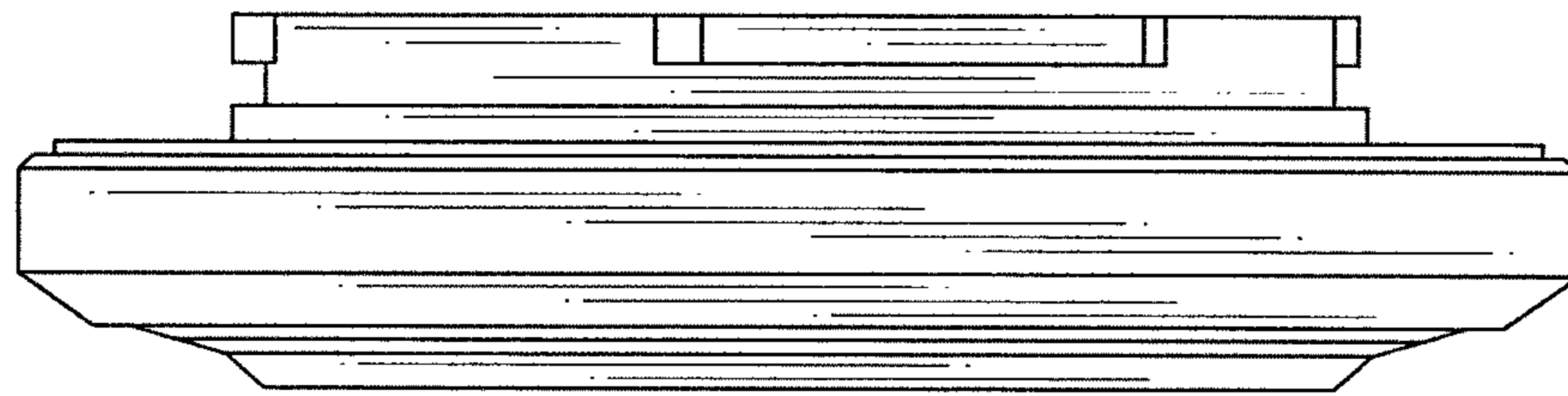


FIG.5

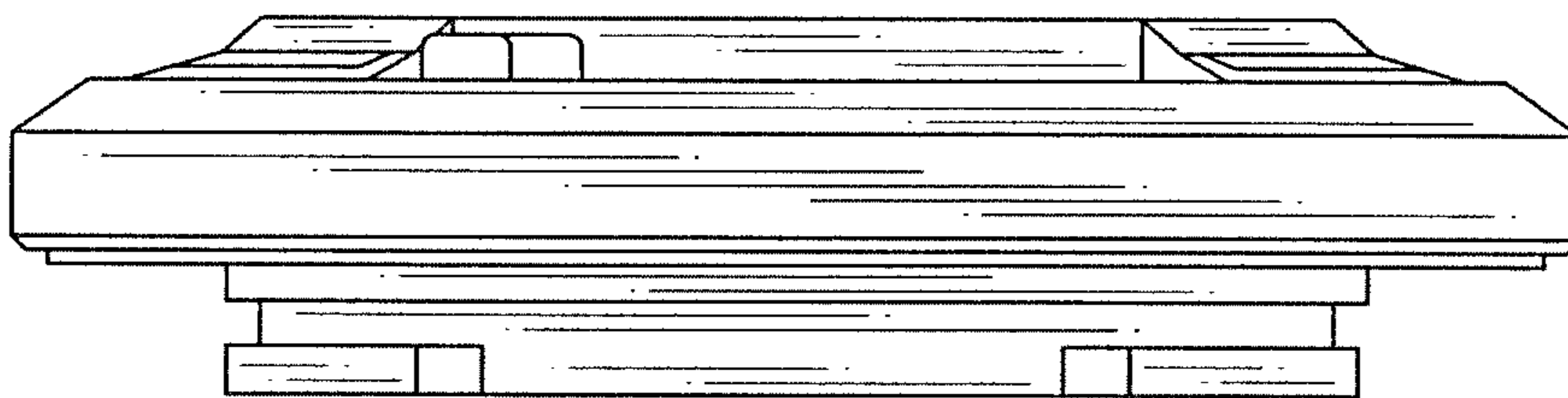


FIG.6



FIG.7

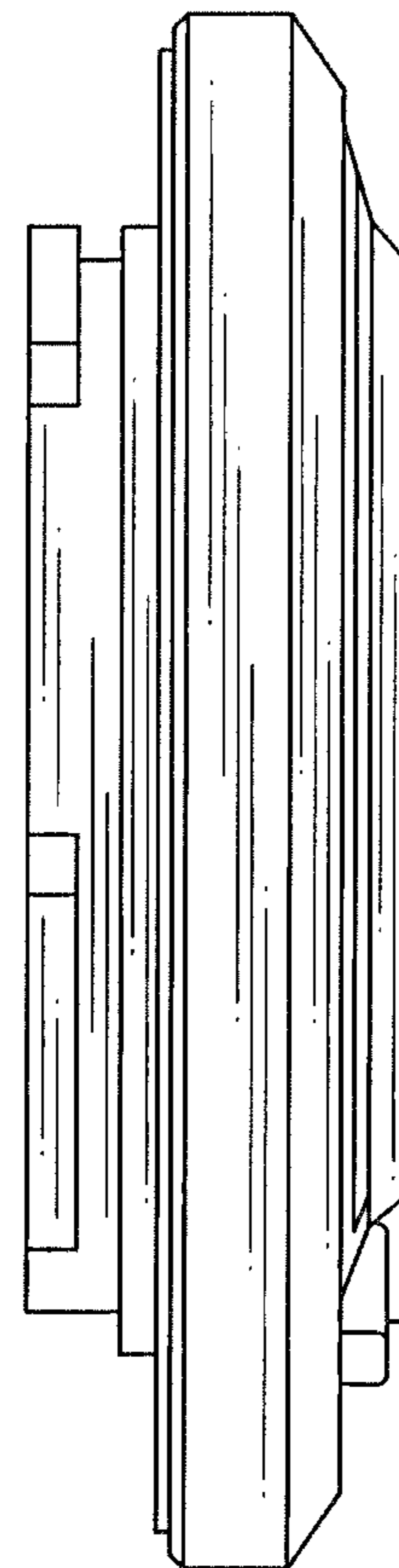


FIG.8

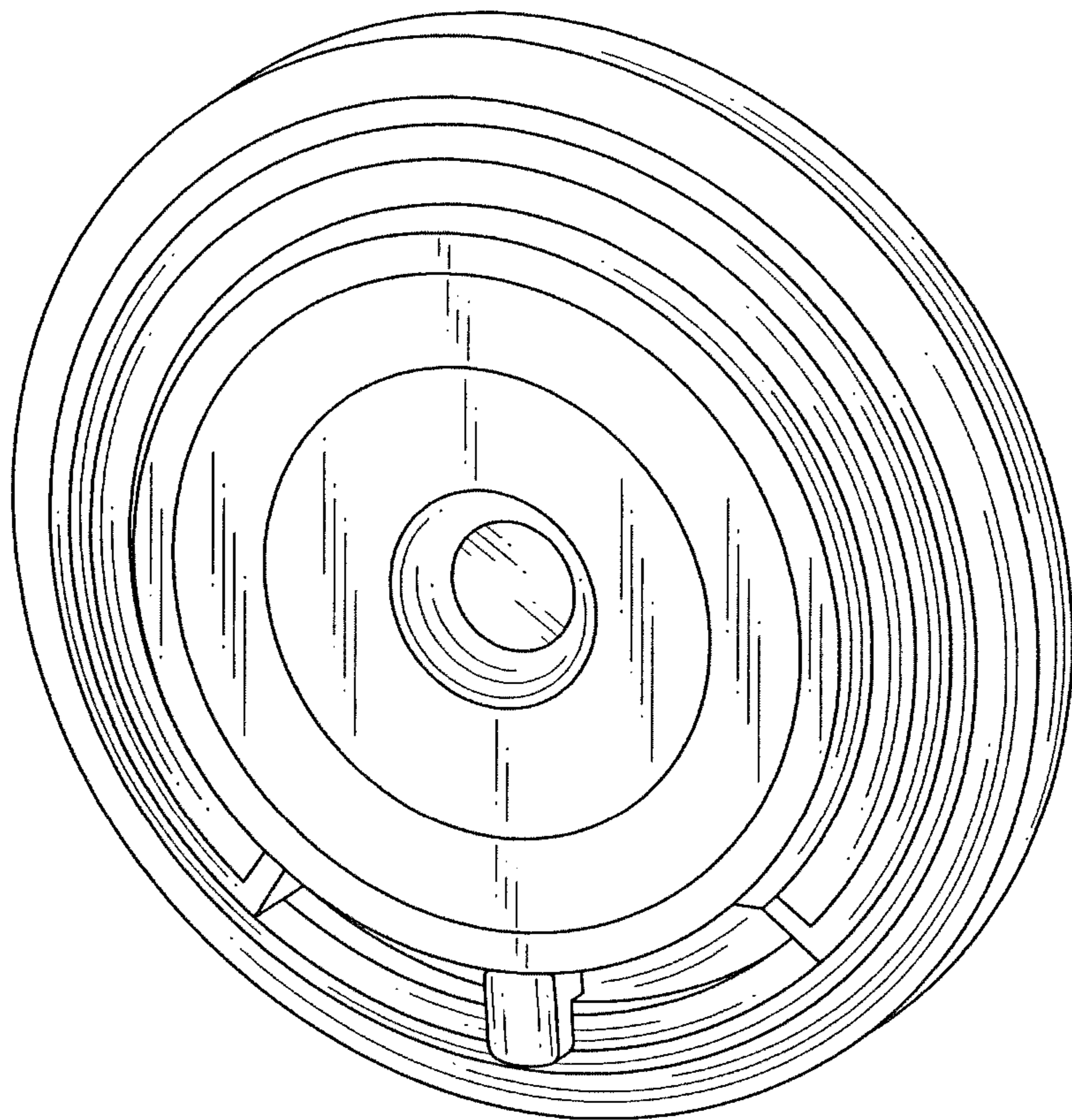


FIG.9

