



US00D698846S

(12) **United States Design Patent**
Isozaki

(10) **Patent No.:** **US D698,846 S**

(45) **Date of Patent:** **** Feb. 4, 2014**

(54) **LENS FOR TELEVISION CAMERA**

(71) Applicant: **FUJIFILM Corporation**, Tokyo (JP)

(72) Inventor: **Makoto Isozaki**, Minato-ku (JP)

(73) Assignee: **FUJIFILM Corporation**, Tokyo (JP)

(**) Term: **14 Years**

(21) Appl. No.: **29/433,795**

(22) Filed: **Oct. 4, 2012**

(30) **Foreign Application Priority Data**

Apr. 6, 2012 (JP) 2012-008183

(51) **LOC (10) Cl.** **16-05**

(52) **U.S. Cl.**
USPC **D16/219**; D16/202

(58) **Field of Classification Search**
USPC D16/200, 202, 203, 204, 205, 218, 219;
348/373-376; 396/344, 529, 530, 535,
396/544, 545

See application file for complete search history.

(56) **References Cited**

U.S. PATENT DOCUMENTS

5,649,251 A * 7/1997 Suzuki et al. 396/344
6,683,654 B1 * 1/2004 Haijima 348/374
6,728,480 B1 * 4/2004 Maeda et al. 396/535

D522,035 S * 5/2006 Muto D16/203
D529,063 S * 9/2006 Cheng D16/203
D543,224 S * 5/2007 Kato et al. D16/203
7,221,402 B2 * 5/2007 Cheng 348/375
D607,033 S * 12/2009 Arbuckle et al. D16/203
D613,784 S * 4/2010 Wang et al. D16/203
7,859,592 B2 * 12/2010 Takahashi et al. 348/373

* cited by examiner

Primary Examiner — Adir Aronovich

(74) *Attorney, Agent, or Firm* — Sughrue Mion, PLLC

(57) **CLAIM**

The ornamental design for a lens for television camera, as shown and described.

DESCRIPTION

FIG. 1 is a top, front and left side perspective view of a lens for television camera showing my new design;
FIG. 2 is a front elevational view thereof;
FIG. 3 is a rear elevational view thereof;
FIG. 4 is a top plan view thereof;
FIG. 5 is a bottom plan view thereof;
FIG. 6 is a left side elevational view thereof;
FIG. 7 is a right side elevational view thereof; and,
FIG. 8 is a reduced top, front and left side perspective view thereof in a manner of use.
The broken line portions in FIG. 8 are shown to illustrate environment only and form no part of the claimed design.

1 Claim, 7 Drawing Sheets

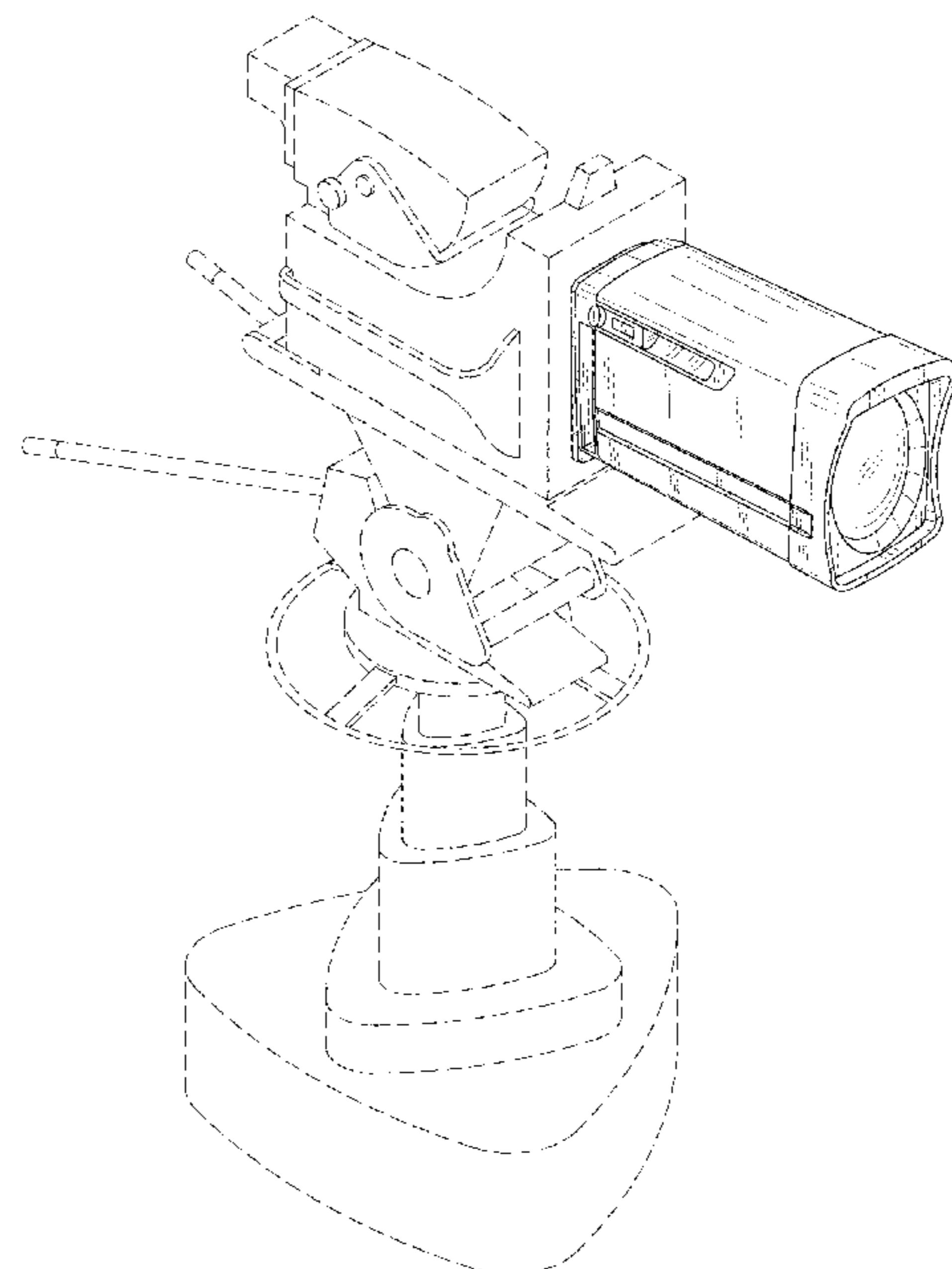
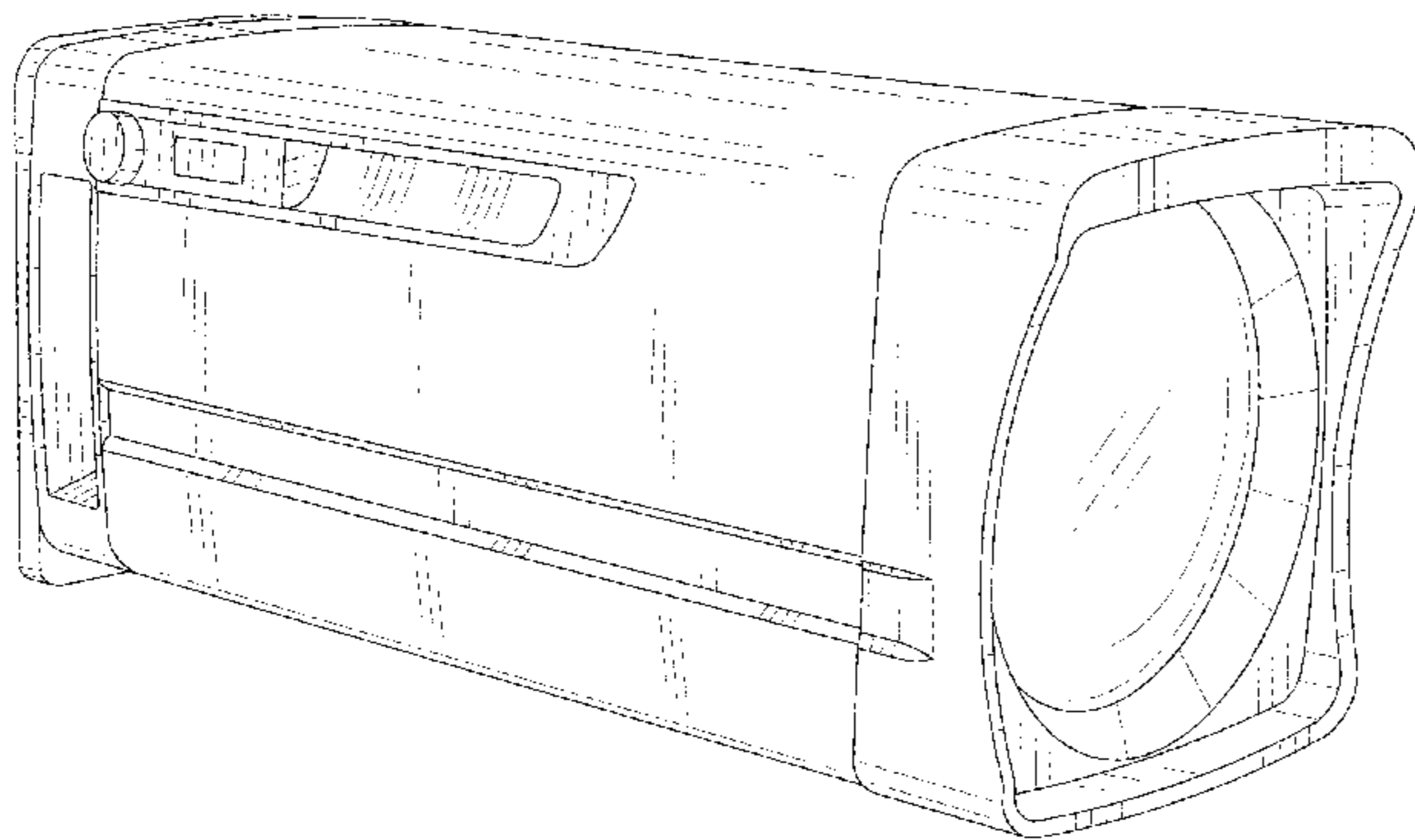


FIG. 1

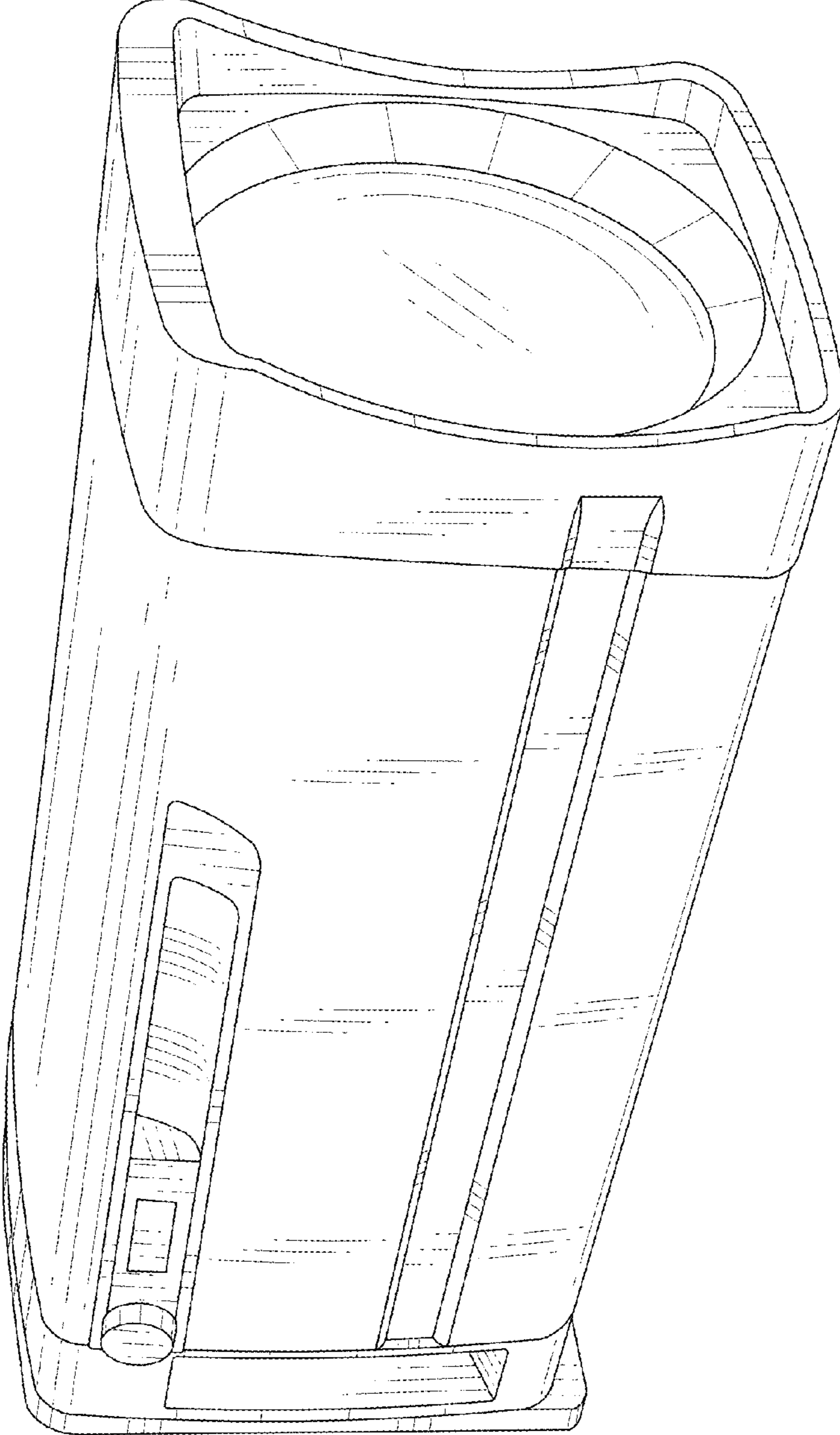


FIG. 2

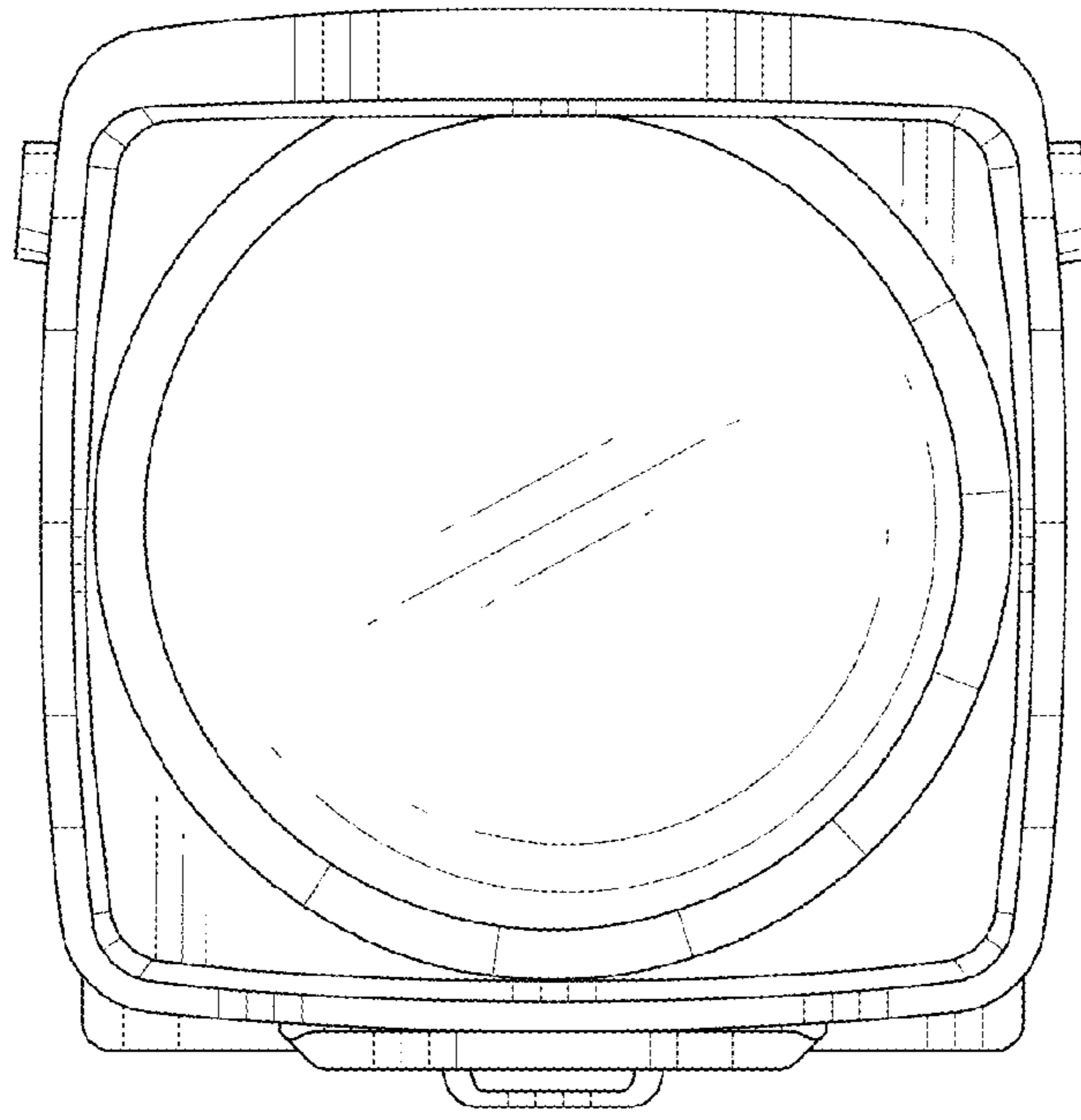


FIG. 3

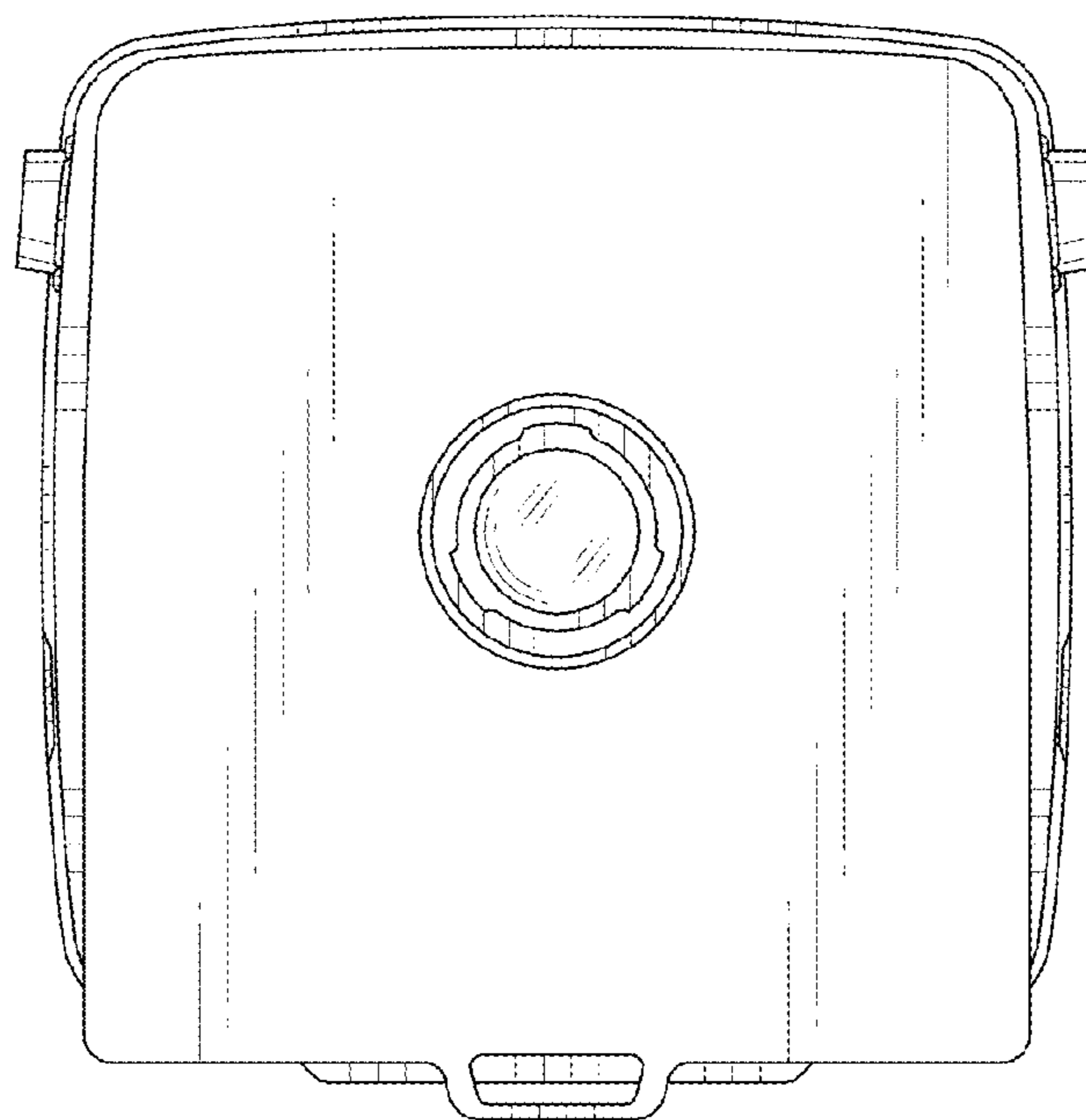


FIG. 4

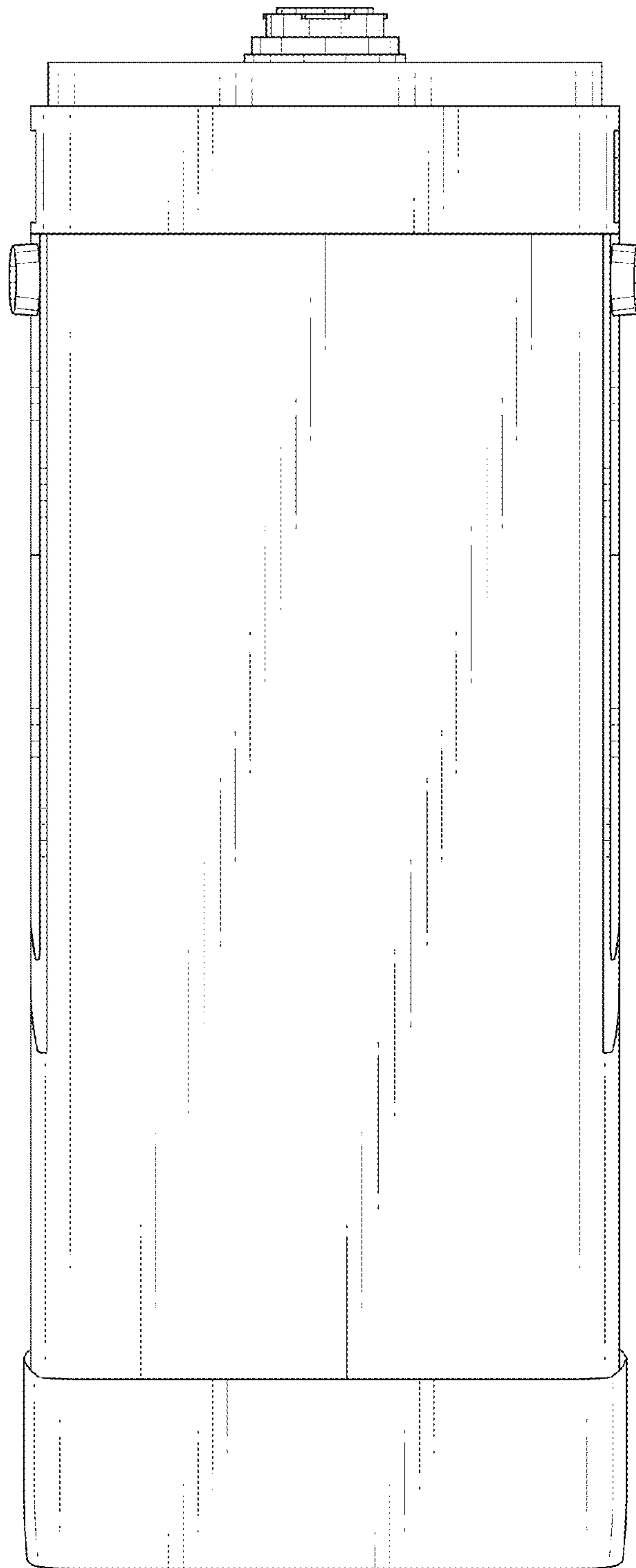


FIG. 5

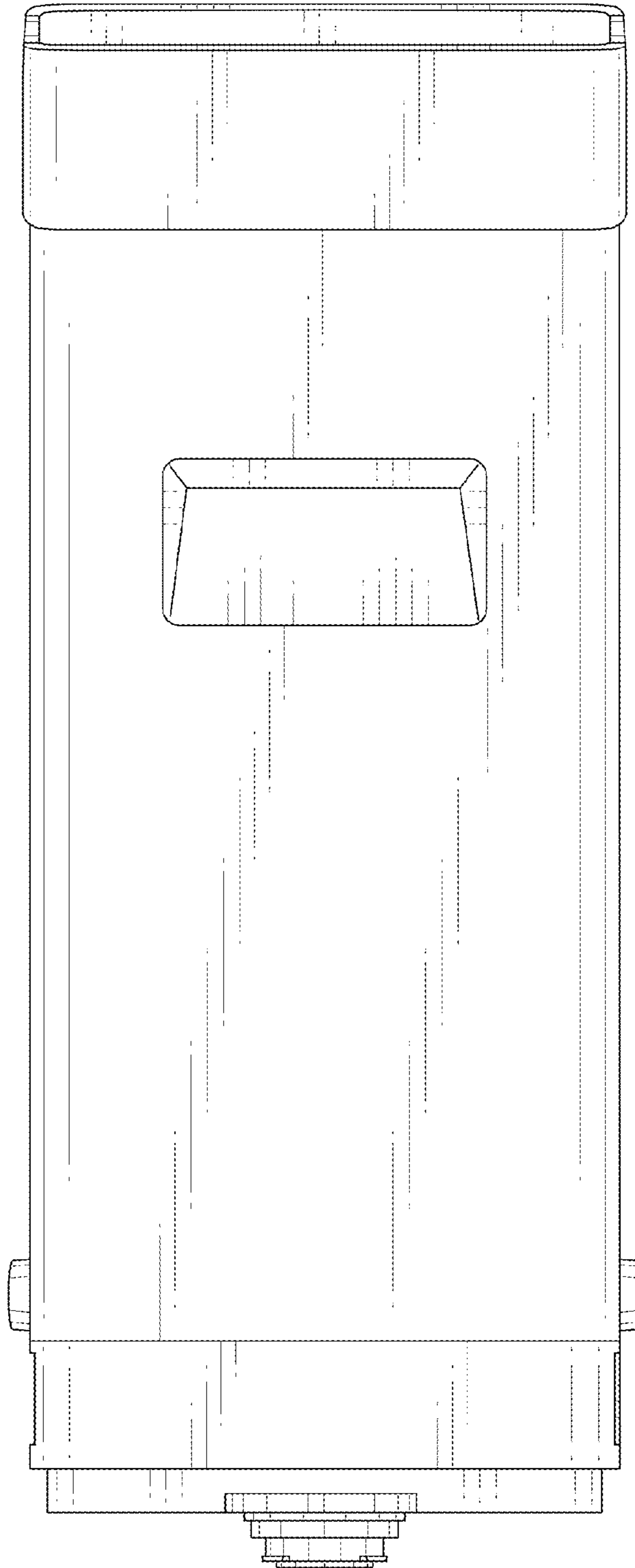


FIG. 6

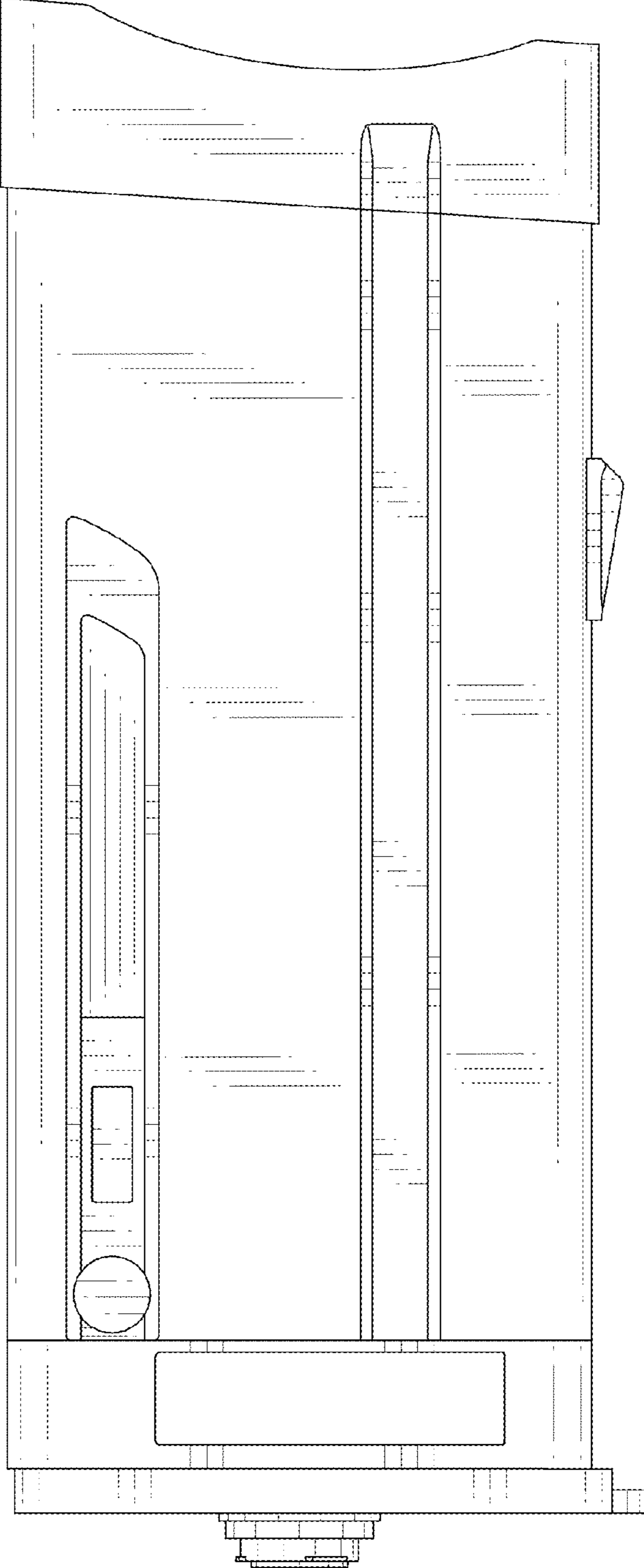


FIG. 7

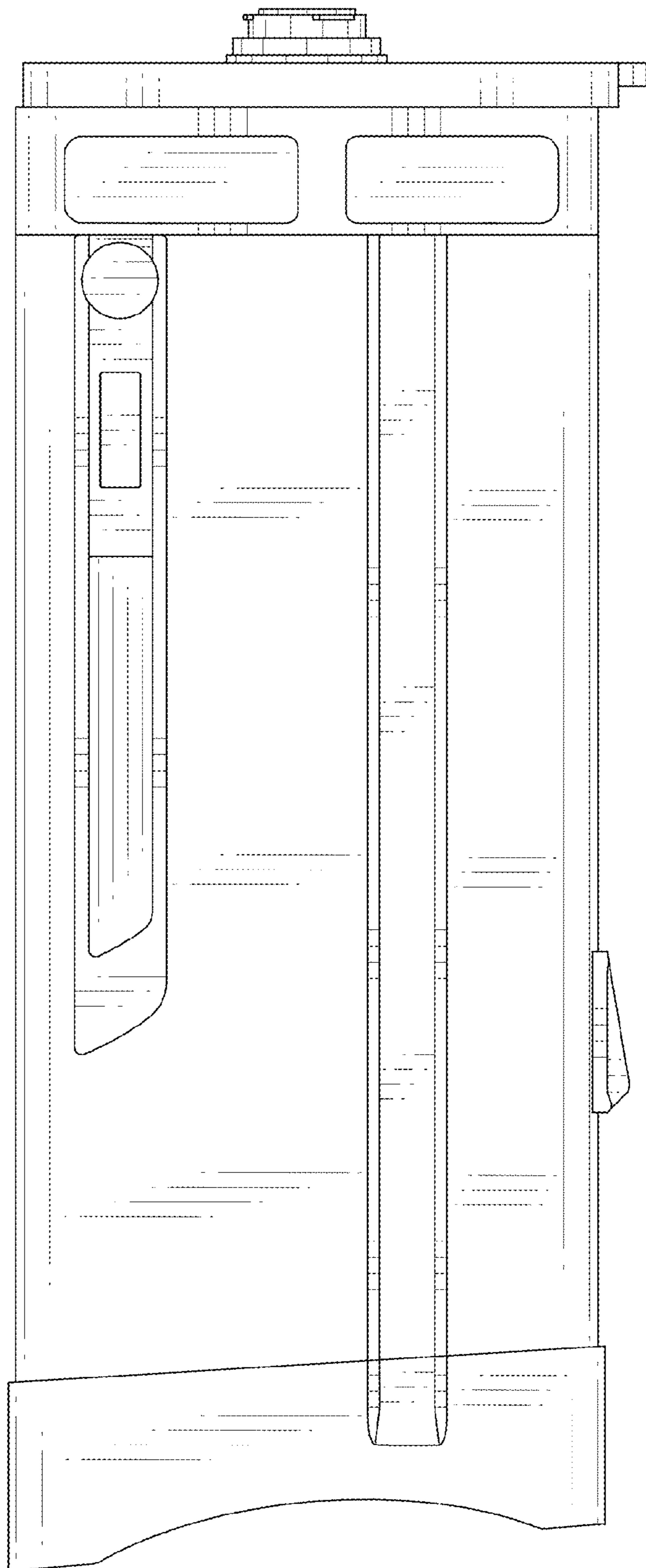


FIG. 8

