



US00D698844S

(12) **United States Design Patent**
Hasuda

(10) **Patent No.:** **US D698,844 S**
(45) **Date of Patent:** **** Feb. 4, 2014**

(54) **INTERMEDIATE ADAPTER FOR A CAMERA**

(75) Inventor: **Masanori Hasuda**, Fujisawa (JP)

(73) Assignee: **Nikon Corporation**, Tokyo (JP)

(**) Term: **14 Years**

(21) Appl. No.: **29/412,569**

(22) Filed: **Feb. 6, 2012**

(30) **Foreign Application Priority Data**

Aug. 10, 2011 (JP) 2011-018387
Sep. 15, 2011 (JP) 2011-021128
Sep. 15, 2011 (JP) 2011-021129
Sep. 15, 2011 (JP) 2011-021130
Sep. 15, 2011 (JP) 2011-021131

(51) **LOC (10) Cl.** **16-05**

(52) **U.S. Cl.**
USPC **D16/219**

(58) **Field of Classification Search**
USPC D16/130, 134, 136, 200, 202, 204, 218,
D16/219; 359/642, 811, 819, 827, 828, 830;
396/529, 530, 531, 532; 348/373, 374,
348/375, 376; 358/909.1

See application file for complete search history.

(56) **References Cited**

U.S. PATENT DOCUMENTS

4,063,264 A * 12/1977 Ando et al. 396/531
4,118,713 A * 10/1978 Murakami et al. 396/227
D251,669 S * 4/1979 Ueda et al. D16/134
5,262,899 A * 11/1993 Iizuka 359/811
5,481,406 A * 1/1996 Yamazaki et al. 359/694
5,570,153 A * 10/1996 Shono 396/531
D375,969 S * 11/1996 Watanabe D16/134
D390,857 S * 2/1998 Hayamizu D16/134
D420,029 S * 2/2000 Kimura et al. D16/134
D425,088 S * 5/2000 Watanabe D16/134
D433,044 S * 10/2000 Nagaoka et al. D16/134

D441,382 S * 5/2001 Konno et al. D16/134
6,369,960 B2 * 4/2002 Azegami 359/819
6,554,503 B2 * 4/2003 Imanari et al. 396/531
D482,377 S * 11/2003 Tajima D16/134
D523,057 S * 6/2006 Watanabe D16/219
D537,096 S * 2/2007 Tokiwa et al. D16/219
D537,461 S * 2/2007 Tokiwa et al. D16/219
D539,320 S * 3/2007 Tokiwa et al. D16/219
D540,363 S * 4/2007 Tokiwa et al. D16/219
D549,263 S * 8/2007 Tokiwa et al. D16/219
D549,264 S * 8/2007 Tokiwa D16/219
D552,147 S * 10/2007 Tajima D16/219
D559,884 S * 1/2008 Tokiwa D16/219
7,593,169 B2 * 9/2009 Ouchi 359/702

(Continued)

OTHER PUBLICATIONS

Office Action from related U.S. Appl. No. 29/451,762 dated Aug. 29, 2013, pp. 1-11.

Primary Examiner — Phillip S Hyder

(74) *Attorney, Agent, or Firm* — Wolf, Greenfield & Sacks, P.C.; Randy J. Pritzker

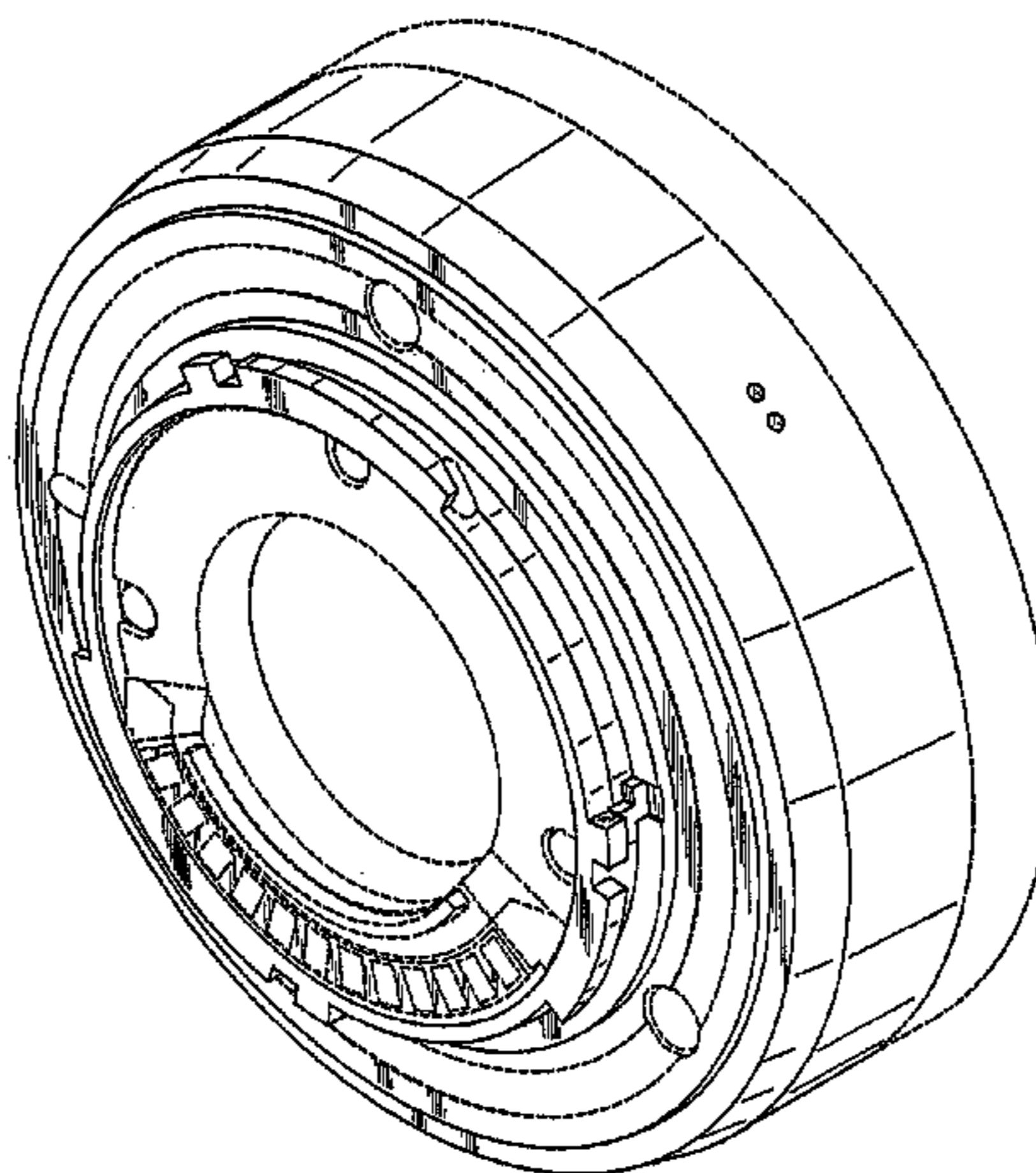
(57) **CLAIM**

The ornamental design for an intermediate adapter for a camera, as shown and described.

DESCRIPTION

FIG. 1 is a perspective view of an embodiment of an intermediate adapter for a camera showing my new design; FIG. 2 is a rear elevational view thereof; FIG. 3 is a top plan view thereof; FIG. 4 is a bottom plan view thereof; FIG. 5 is a right side elevational view thereof; and, FIG. 6 is a left side elevational view thereof. The features shown in broken lines in the drawings depict environmental subject matter only and form no part of the claimed design. The dot-dashed lines denote the boundary of the claim, and form no part of the claimed design.

1 Claim, 6 Drawing Sheets



(56)

References Cited

U.S. PATENT DOCUMENTS

7,625,144	B2 *	12/2009	Kranz et al.	396/529	7,988,372	B2 *	8/2011	Lee et al.	396/531
7,798,137	B2	9/2010	Ewing		8,002,483	B2 *	8/2011	Fujiwara et al.	396/531
7,798,731	B2 *	9/2010	Kurosawa	396/505	8,027,576	B2 *	9/2011	Lai	396/25
7,848,634	B2 *	12/2010	Kranz et al.	396/310	D665,837	S *	8/2012	Tainaka	D16/219
7,853,137	B2 *	12/2010	Yang	396/71	D670,751	S *	11/2012	Koyama et al.	D16/219
7,961,411	B2 *	6/2011	Lee	359/819	D671,586	S *	11/2012	Asano et al.	D16/219
					2010/0226023	A1 *	9/2010	Lee	359/819
					2011/0274424	A1 *	11/2011	Fujiwara et al.	396/532
					2012/0039595	A1 *	2/2012	Youn	396/529

* cited by examiner

FIG. 1

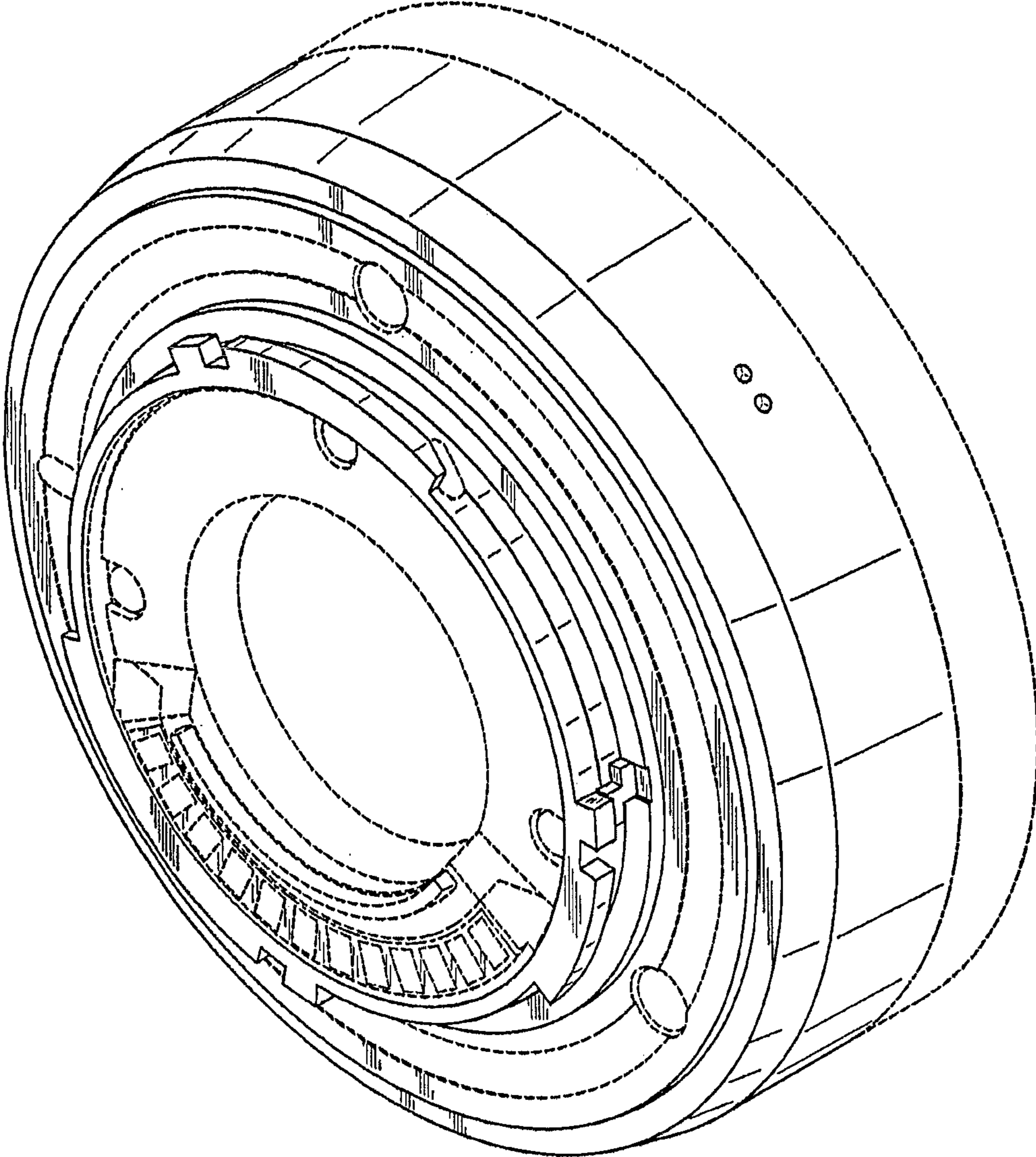


FIG. 2

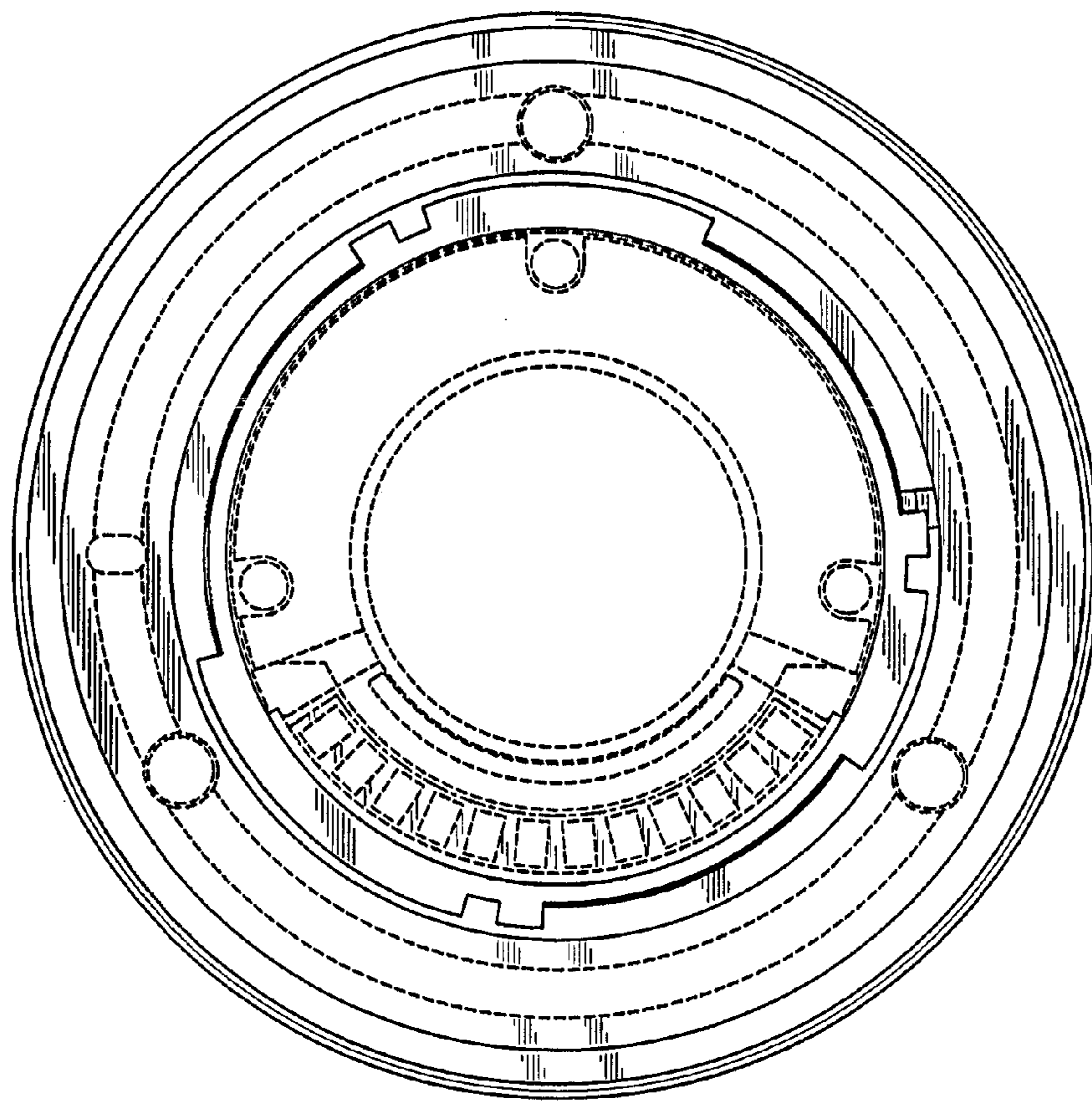


FIG. 3

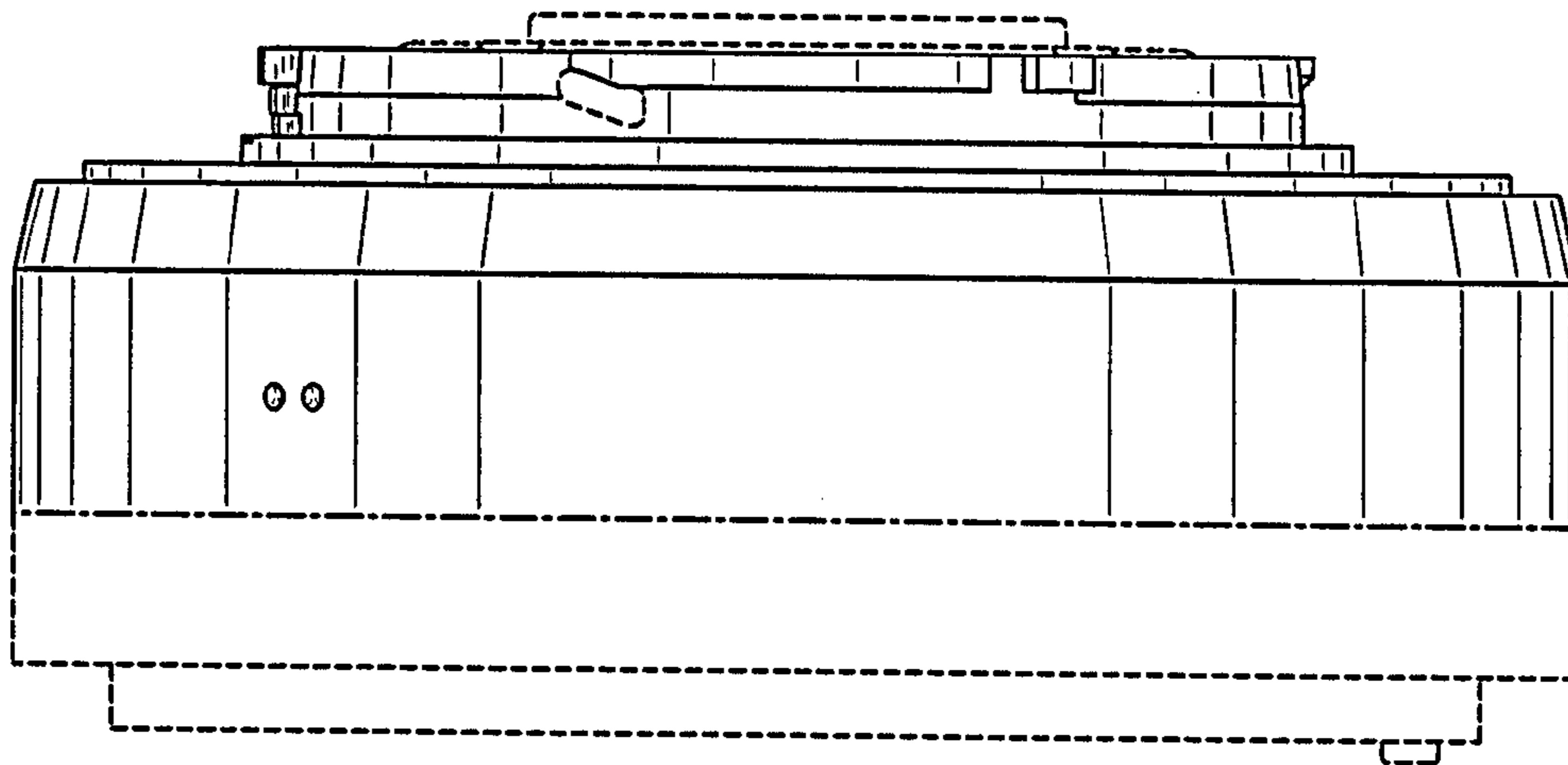


FIG. 4

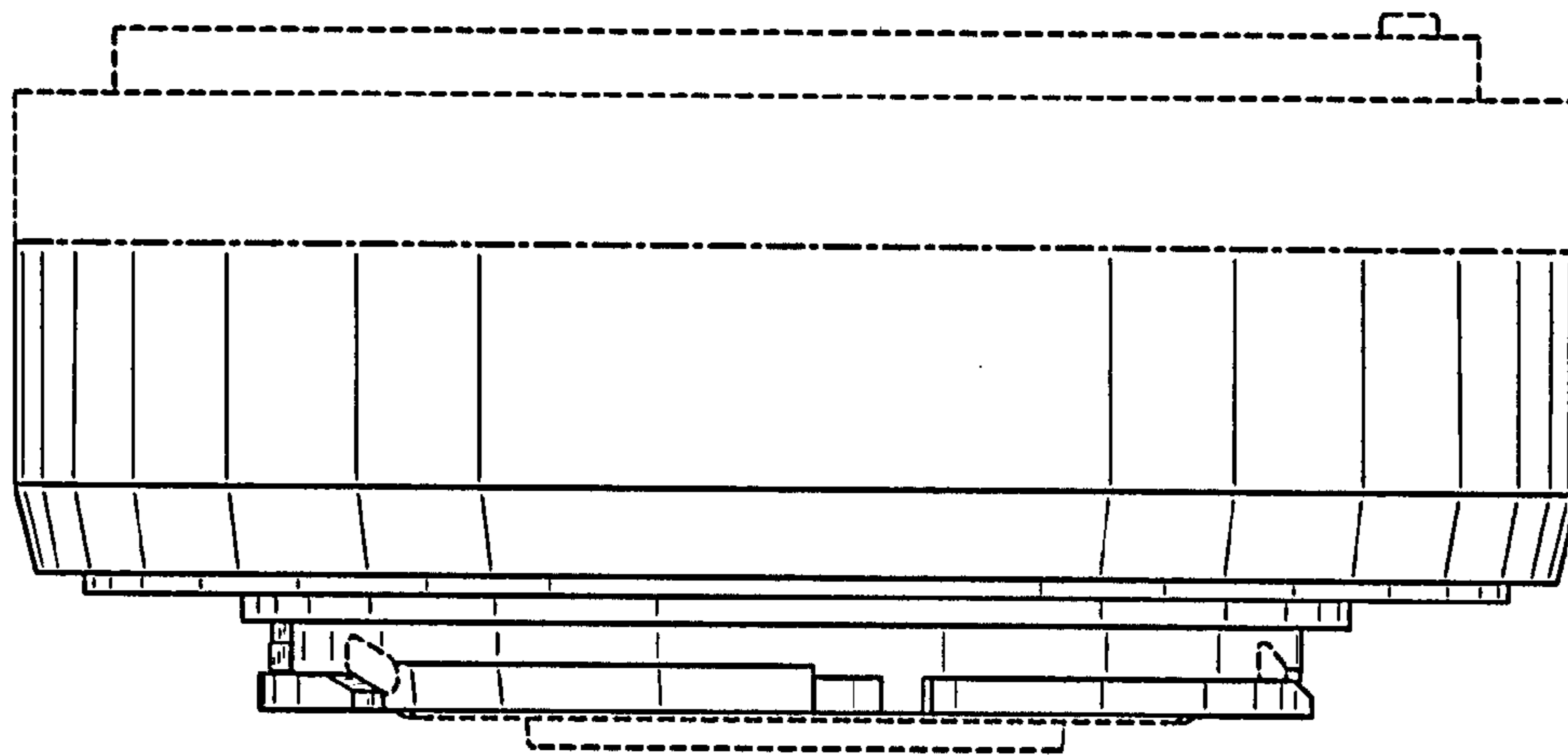


FIG. 5

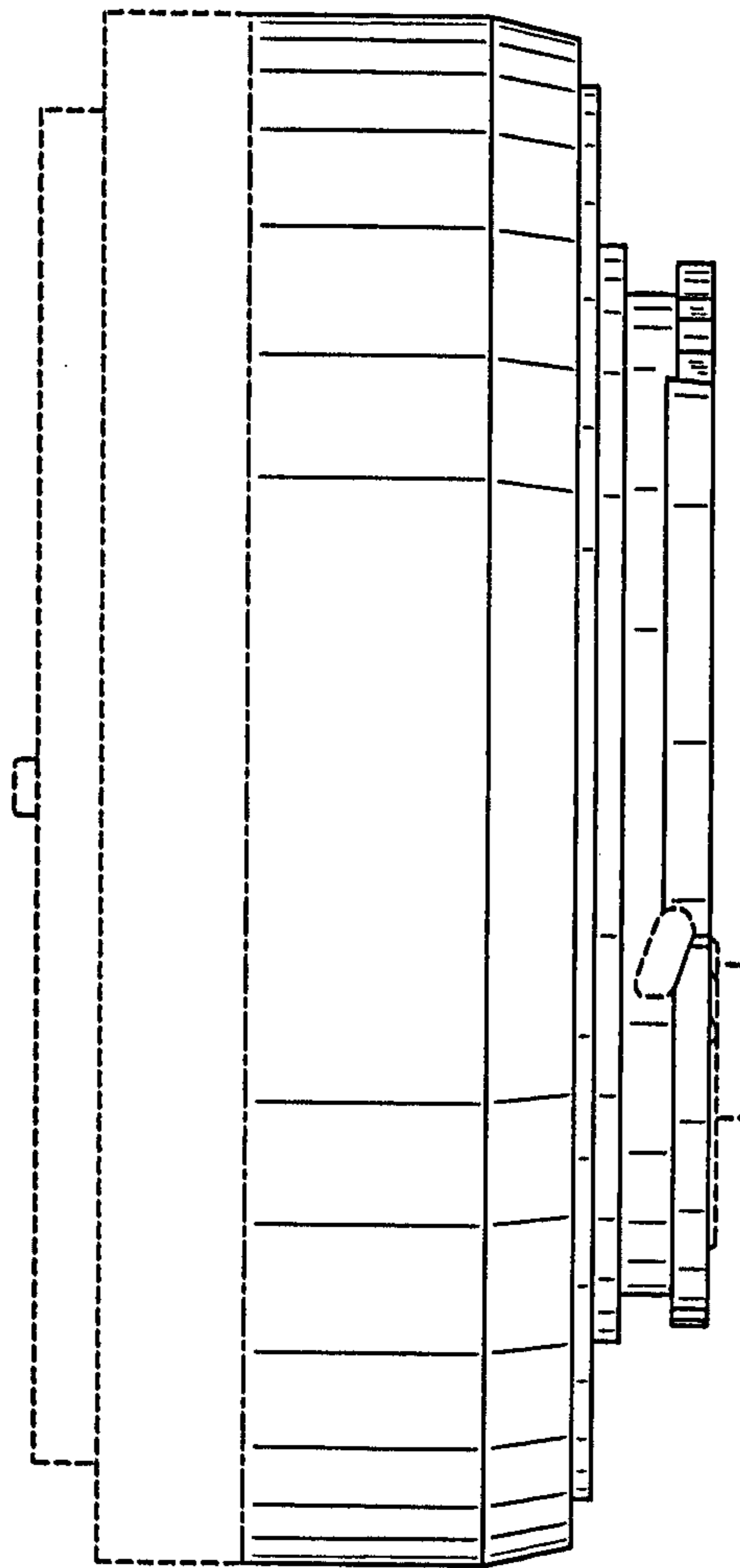


FIG. 6

