



US00D698841S

(12) **United States Design Patent**  
**Lee et al.**

(10) **Patent No.:** **US D698,841 S**  
(45) **Date of Patent:** **\*\* Feb. 4, 2014**

(54) **WEBCAM**

(71) Applicant: **D-Link Corporation**, Taipei (TW)

(72) Inventors: **Chia-Hsiang Lee**, Taipei (TW);  
**Ho-Hsien Kao**, Taipei (TW)

(73) Assignee: **D-Link Corporation**, Taipei (TW)

(\*\*) Term: **14 Years**

(21) Appl. No.: **29/440,759**

(22) Filed: **Dec. 27, 2012**

(51) **LOC (10) Cl.** ..... **16-01**

(52) **U.S. Cl.**  
USPC ..... **D16/202**

(58) **Field of Classification Search**  
USPC ..... D16/200, 202, 203, 204, 208, 218, 242;  
348/373-376; 358/909.1; 396/535-541  
See application file for complete search history.

(56) **References Cited**

**U.S. PATENT DOCUMENTS**

D296,551 S *	7/1988	Mizogui	.....	D16/202
D527,403 S *	8/2006	Byun et al.	.....	D16/202
D542,820 S *	5/2007	Depay	.....	D16/202
D591,321 S *	4/2009	Sheppard et al.	.....	D16/202
D612,882 S *	3/2010	Kim et al.	.....	D16/202
D620,514 S *	7/2010	Kim et al.	.....	D16/242

D633,930 S *	3/2011	Dinger et al.	.....	D16/202
D651,632 S *	1/2012	Kim et al.	.....	D16/202
2007/0115387 A1 *	5/2007	Ho	.....	348/375
2011/0228083 A1 *	9/2011	Su	.....	348/373

\* cited by examiner

*Primary Examiner* — Adir Aronovich

(74) *Attorney, Agent, or Firm* — Bacon & Thomas, PLLC

(57) **CLAIM**

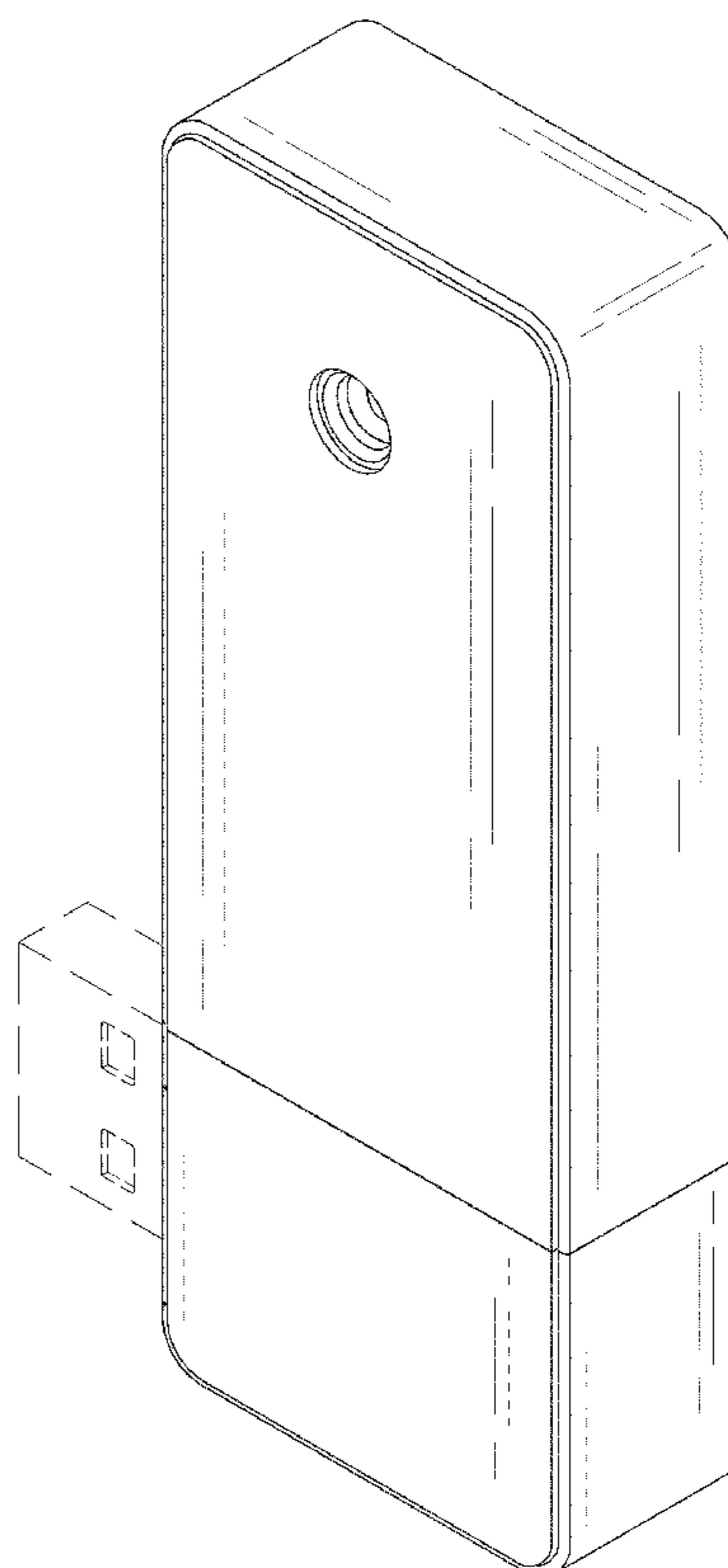
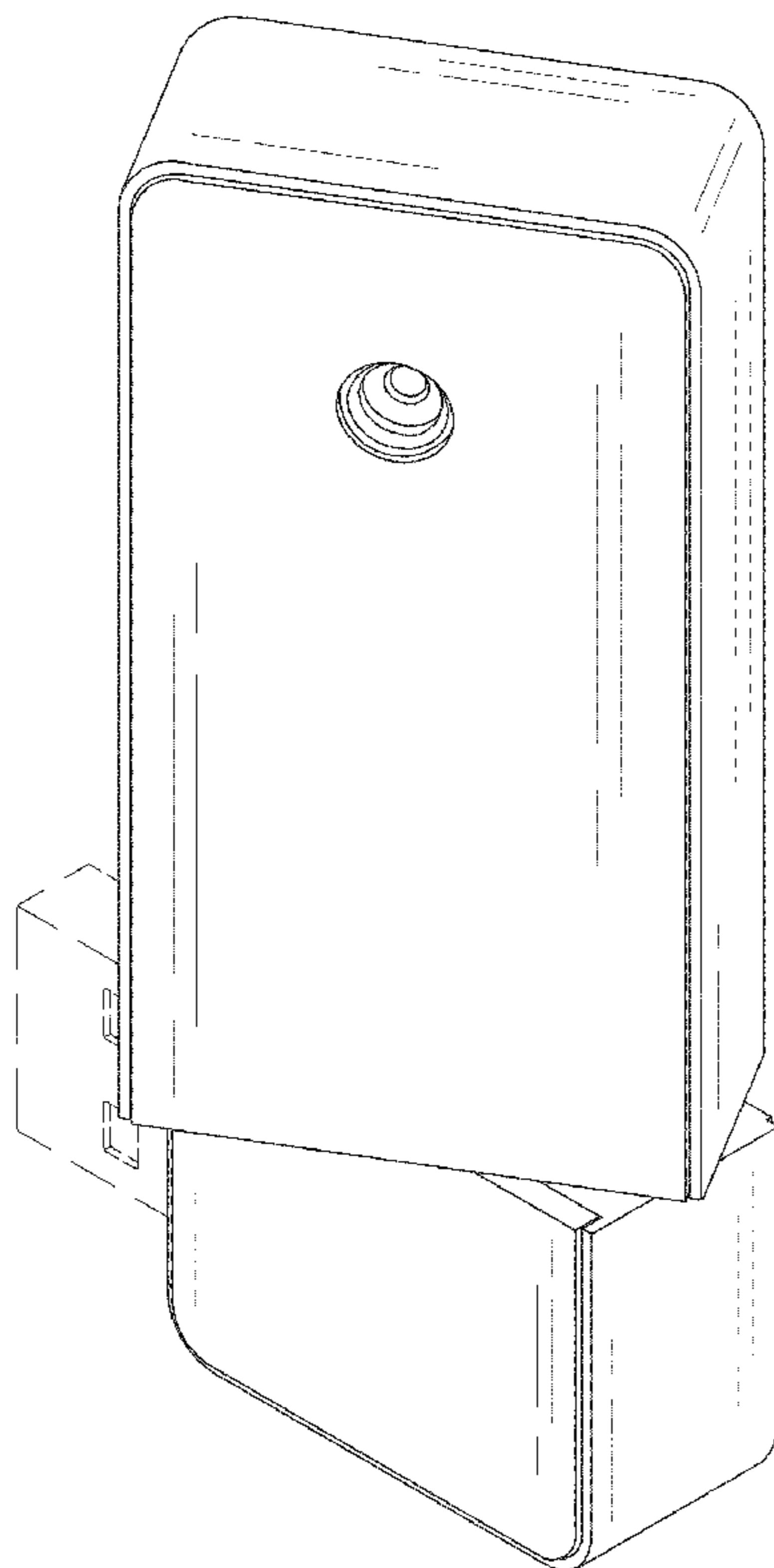
The ornamental design for a webcam, as shown and described.

**DESCRIPTION**

FIG. 1 is a perspective view of a webcam showing my new design and having an upper casing in a rotating state with respect to a bottom casing thereof;  
FIG. 2 is a front elevational view thereof;  
FIG. 3 is a rear elevational view thereof;  
FIG. 4 is a left side elevational view thereof;  
FIG. 5 is a right side elevational view thereof;  
FIG. 6 is a top plan view thereof;  
FIG. 7 is a bottom plan view thereof; and,  
FIG. 8 is an alternate perspective view of the webcam shown in a non-rotating state.

The broken line portion in FIGS. 1-4 and 6-8 is shown to illustrate environment only and form no part of the claimed design.

**1 Claim, 7 Drawing Sheets**



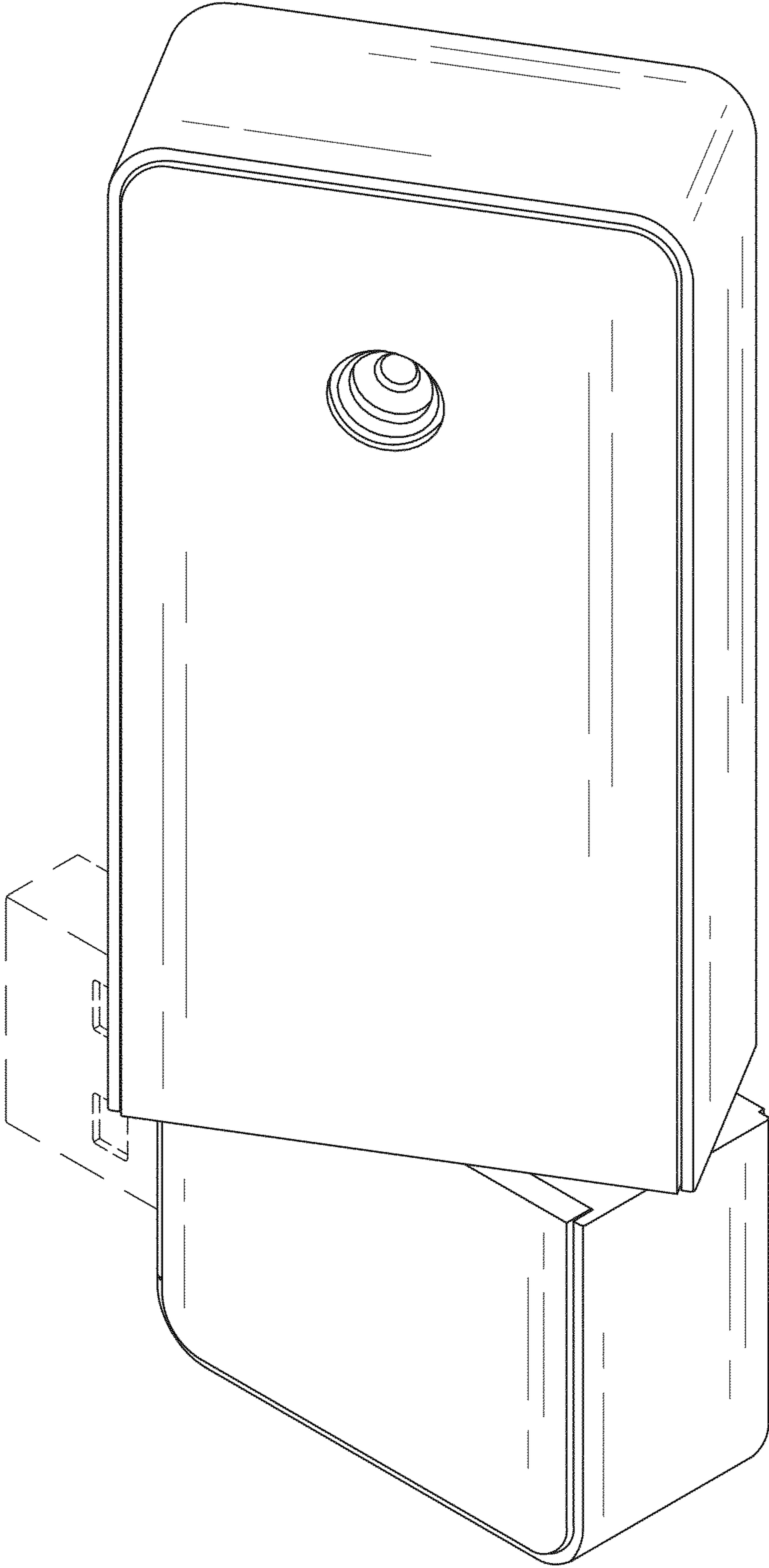


FIG. 1

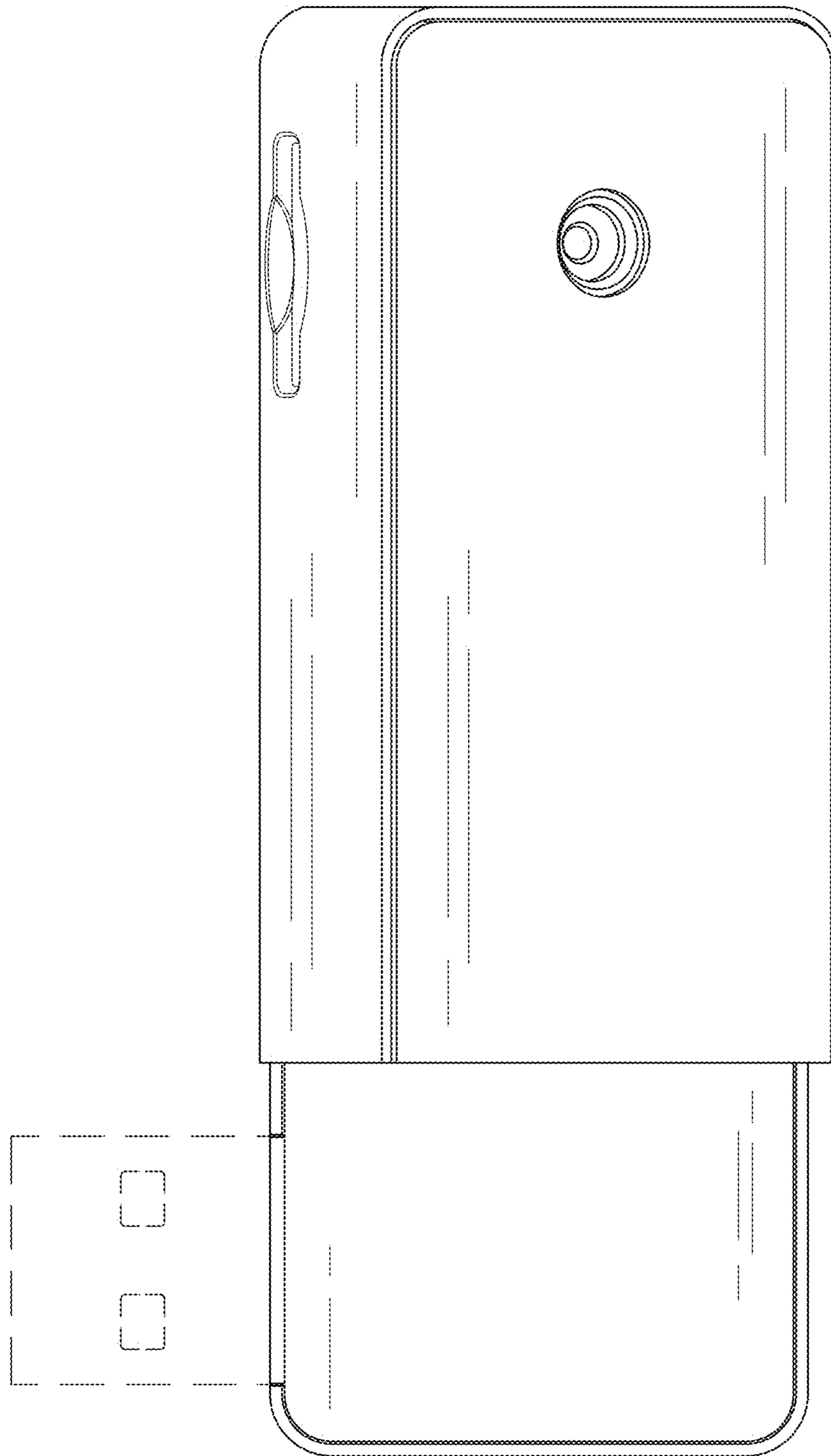


FIG. 2

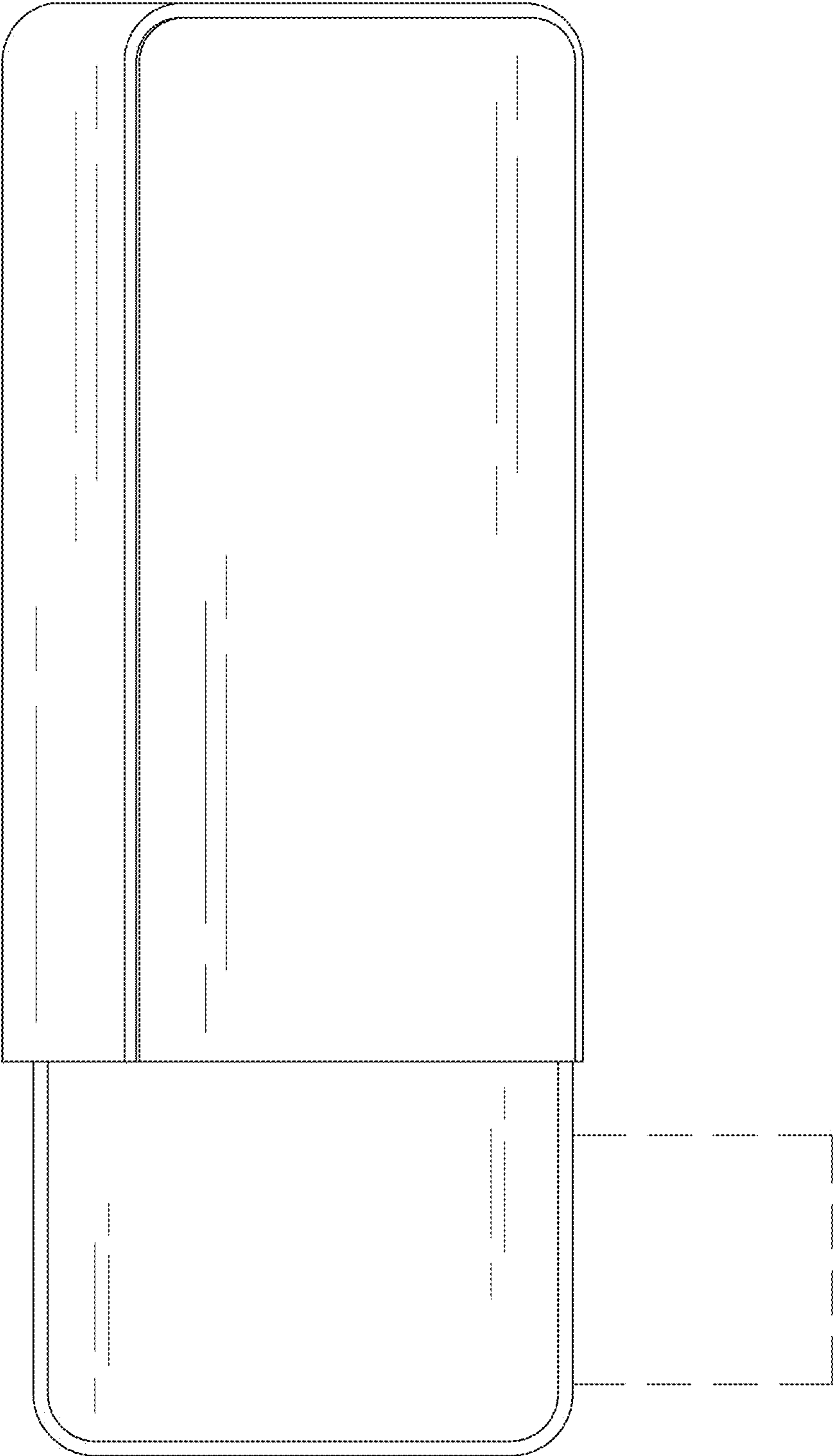


FIG. 3

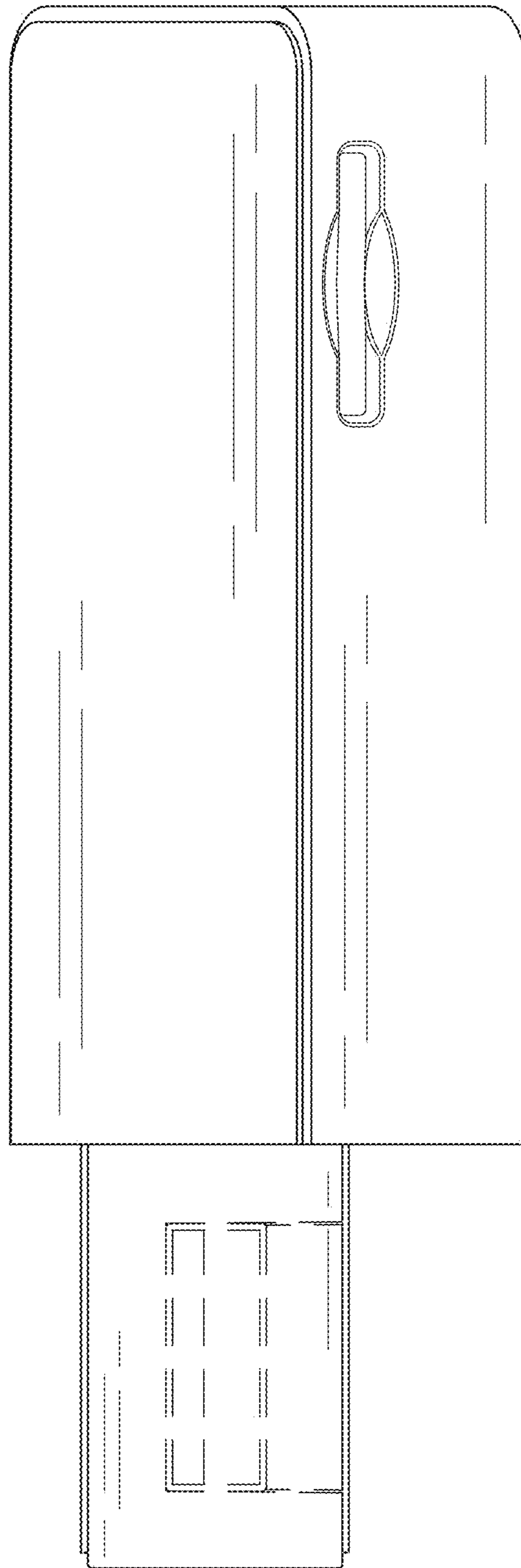


FIG. 4

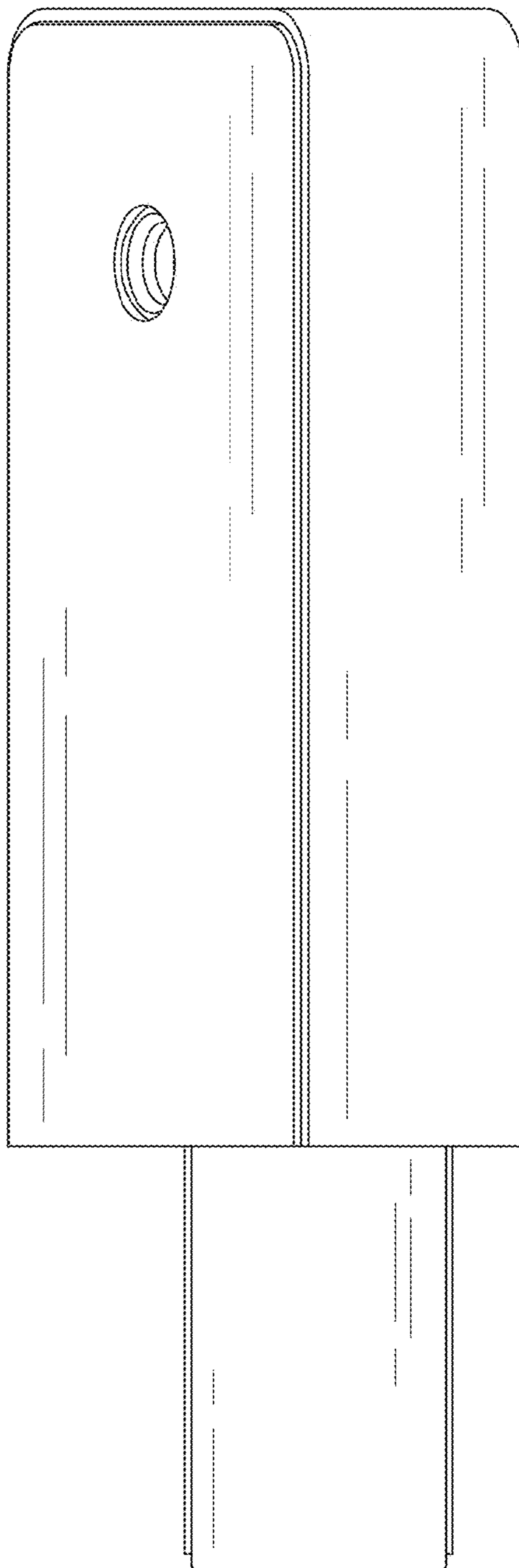


FIG. 5

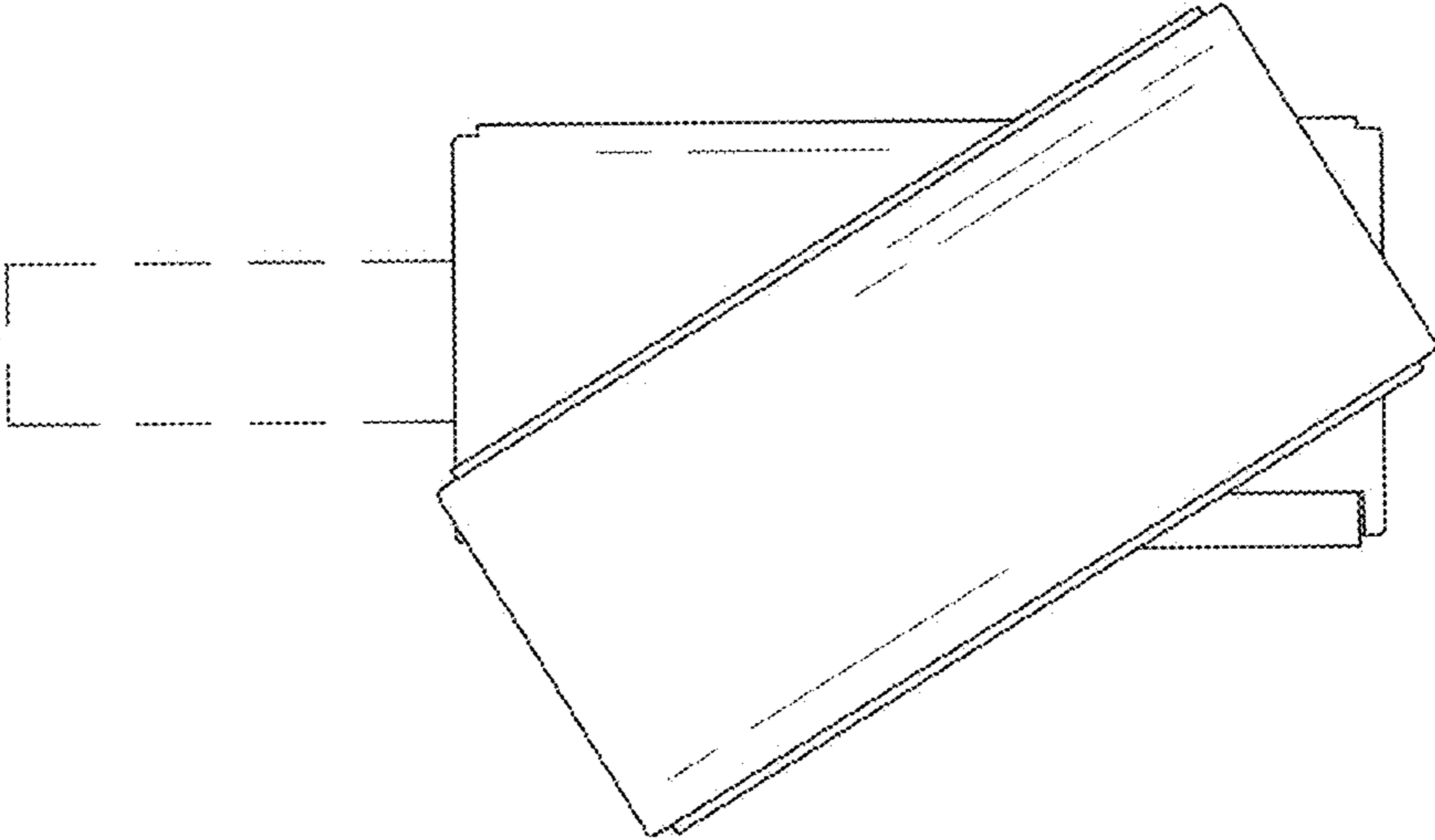


FIG. 6

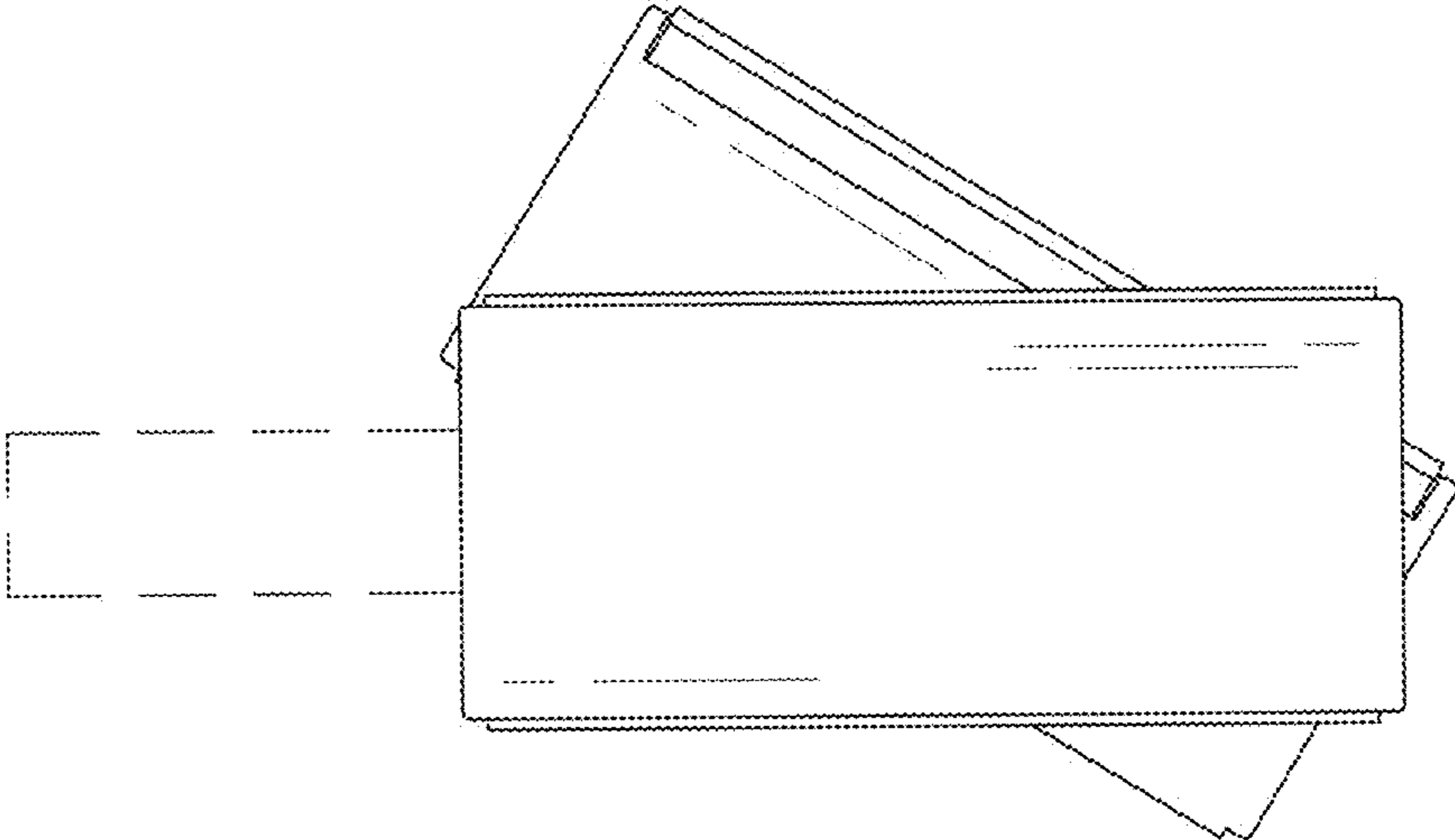


FIG. 7

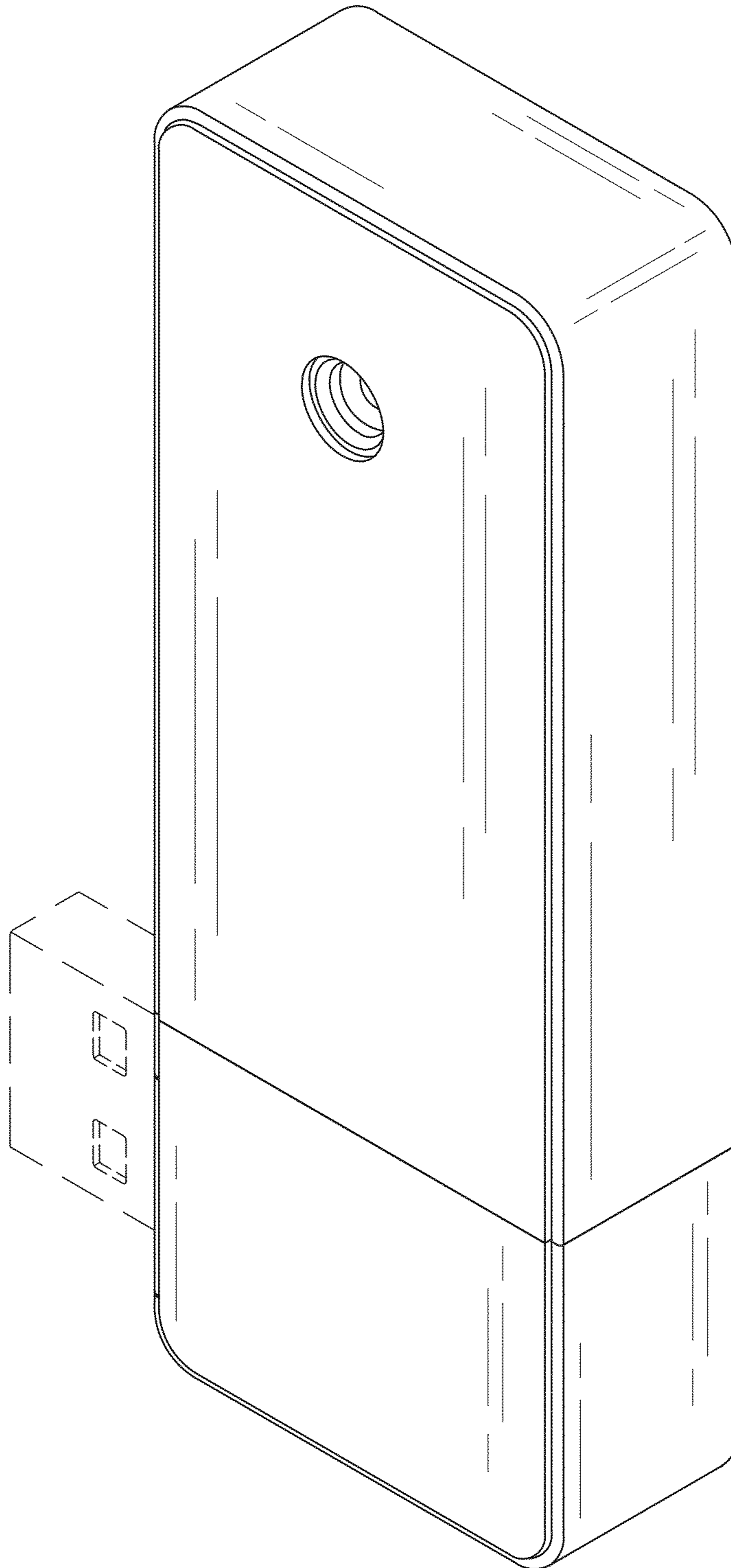


FIG. 8