



US00D698839S

(12) **United States Design Patent**
Sato

(10) **Patent No.:** **US D698,839 S**
(45) **Date of Patent:** **** Feb. 4, 2014**

(54) **CAMERA BODY**

FOREIGN PATENT DOCUMENTS

(71) Applicant: **Fujifilm Corporation**, Tokyo (JP)

JP 1448637 S 8/2012

(72) Inventor: **Jun Sato**, Saitama (JP)

OTHER PUBLICATIONS

(73) Assignee: **FUJIFILM Corporation**, Tokyo (JP)

Notification of Reasons for Refusal, dated Jan. 30, 2013, issued in corresponding JP Application 2012-017699, 3 pages in English and Japanese.

(**) Term: **14 Years**

* cited by examiner

(21) Appl. No.: **29/443,335**

Primary Examiner — Adir Aronovich

(22) Filed: **Jan. 16, 2013**

(74) *Attorney, Agent, or Firm* — Sughrue Mion, PLLC

(30) **Foreign Application Priority Data**

Jul. 25, 2012 (JP) 2012-017699

(51) **LOC (10) Cl.** **16-01**

(52) **U.S. Cl.**
USPC **D16/200**

(58) **Field of Classification Search**
USPC D16/202, 204, 208; 348/373–376;
358/909.1; 396/535, 540, 541
See application file for complete search history.

(57) **CLAIM**

The ornamental design for a camera body, as shown and described.

DESCRIPTION

FIG. 1 is a top, front and right side elevational view of a camera body showing my new design;
FIG. 2 is a front elevational view thereof;
FIG. 3 is a rear elevational view thereof;
FIG. 4 is a top plan view thereof;
FIG. 5 is a bottom plan view thereof;
FIG. 6 is a right side elevational view thereof;
FIG. 7 is a left side elevational view thereof; and,
FIG. 8 is a top, front and right side elevational view thereof in a manner of use with a lens attached.
The broken line portion of a lens in FIG. 8 is shown to illustrate environment only and form no part of the claimed design.

(56) **References Cited**

U.S. PATENT DOCUMENTS

D631,496 S *	1/2011	Tainaka	D16/202
D640,301 S *	6/2011	Nohara	D16/218
D649,997 S *	12/2011	Imai	D16/202
D654,943 S *	2/2012	Ogasawara et al.	D16/202
D657,408 S *	4/2012	Tainaka	D16/202
8,233,082 B2 *	7/2012	Yamamoto	348/375
D681,710 S *	5/2013	Sato	D16/200
2011/0109790 A1 *	5/2011	Shinohara et al.	348/373

1 Claim, 8 Drawing Sheets

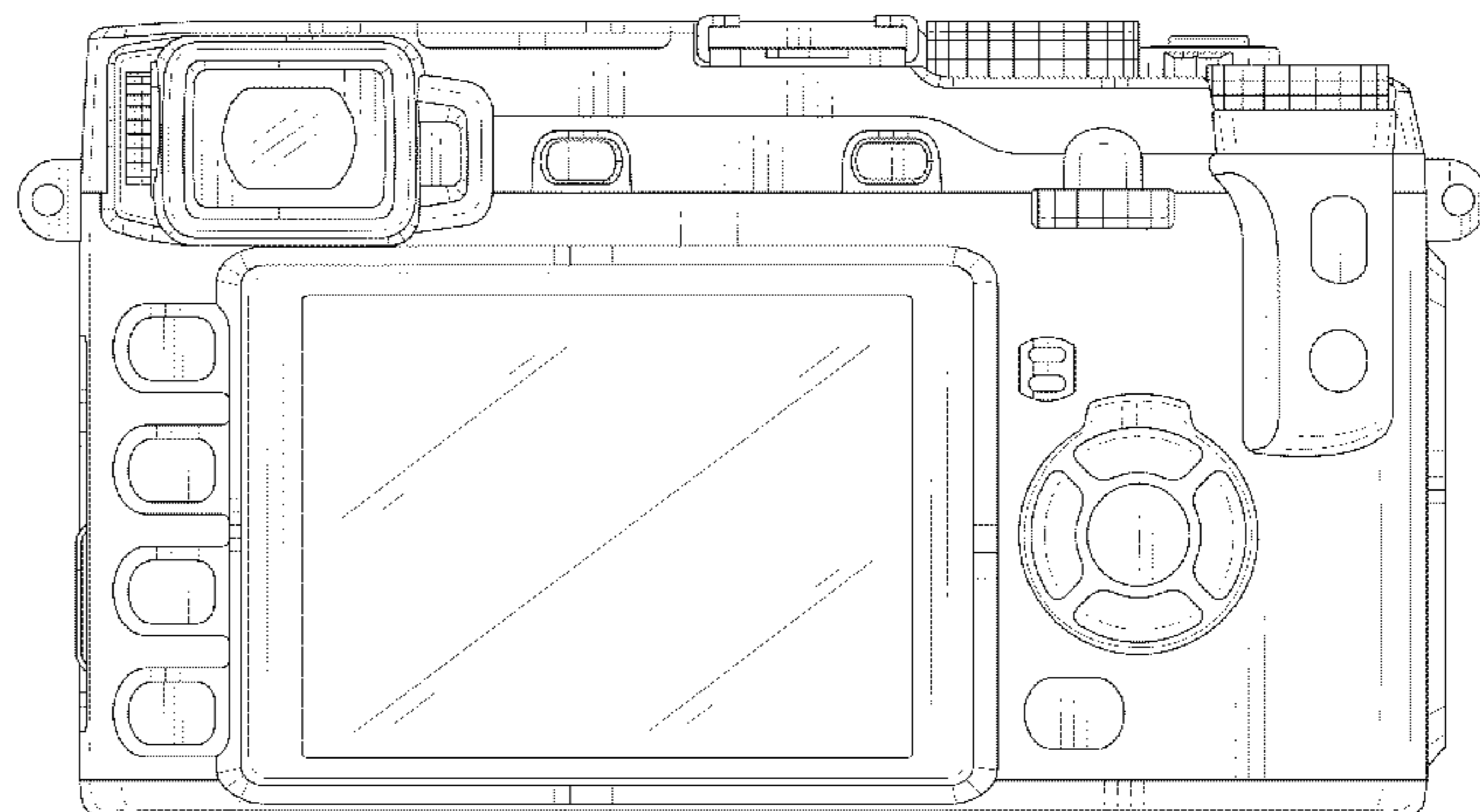
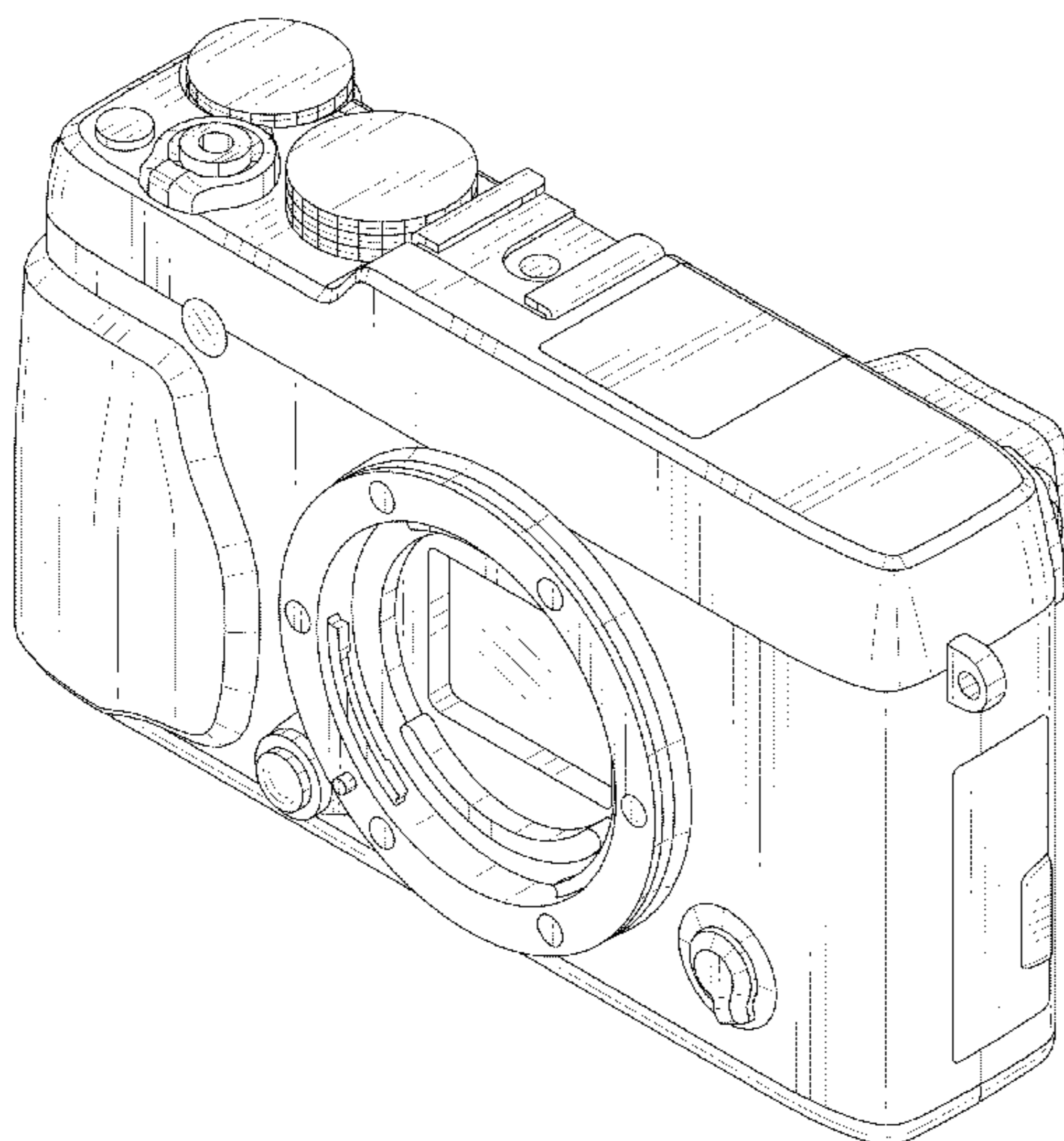


FIG. 1

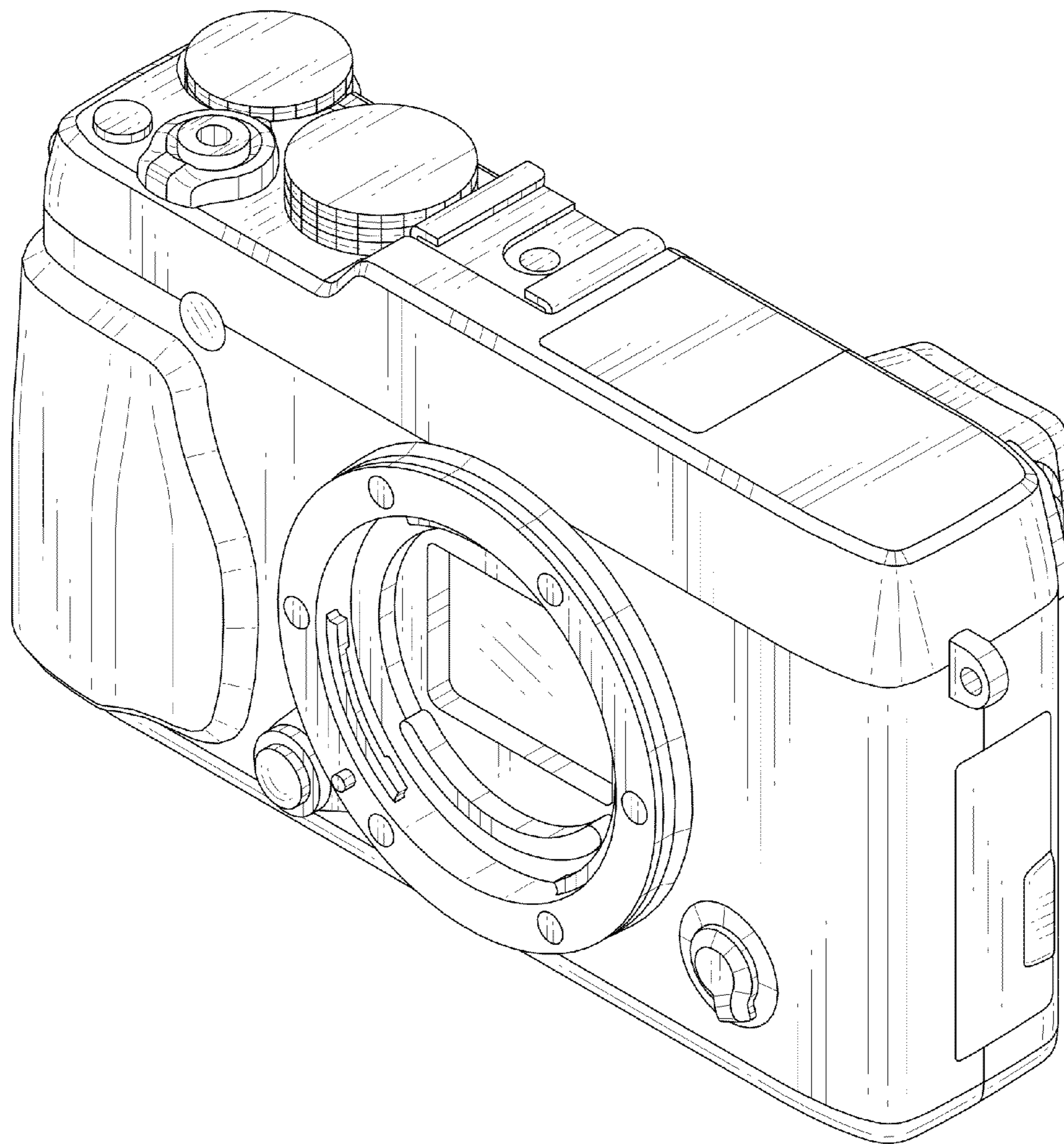


FIG. 2

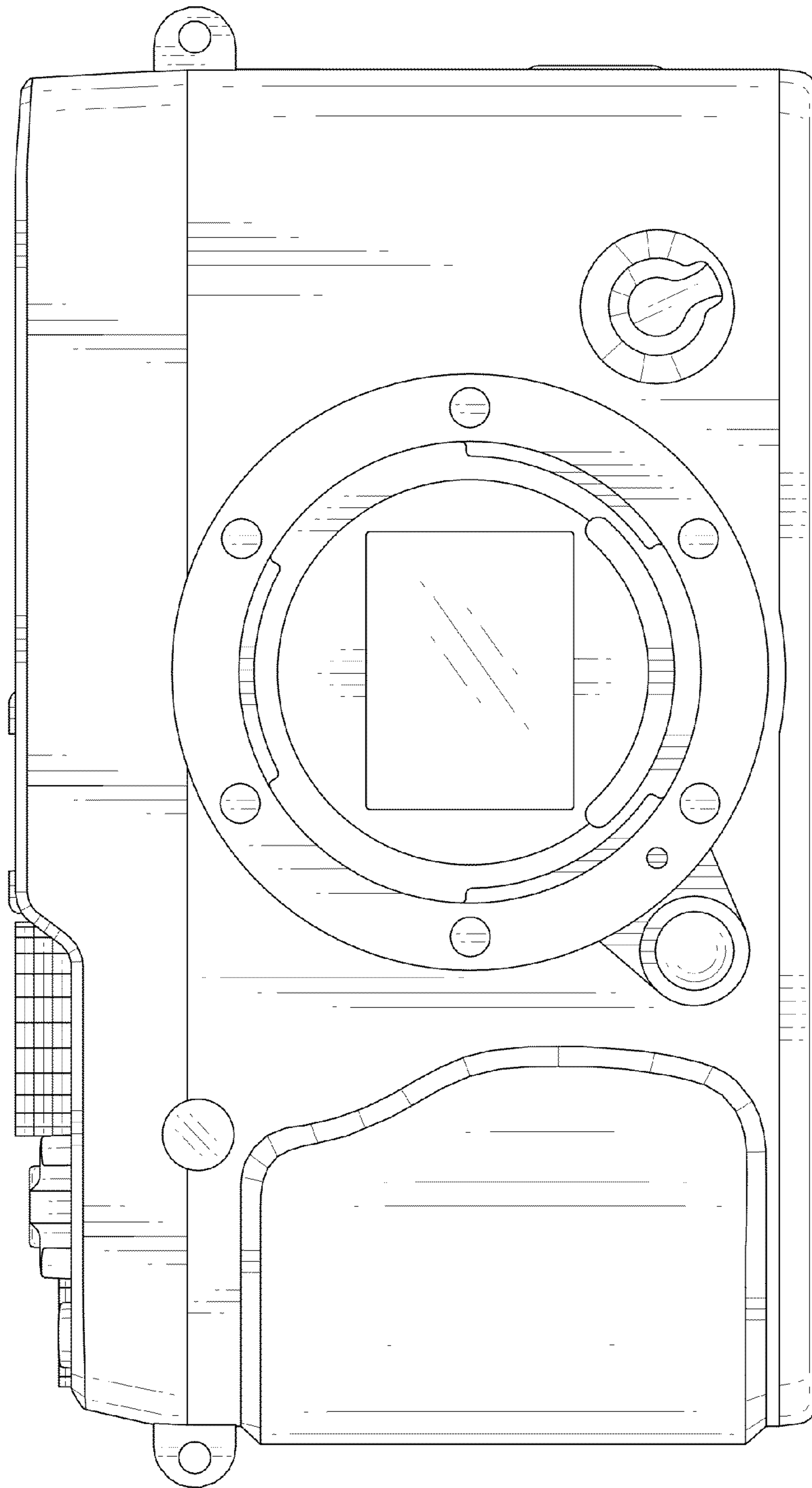


FIG. 3

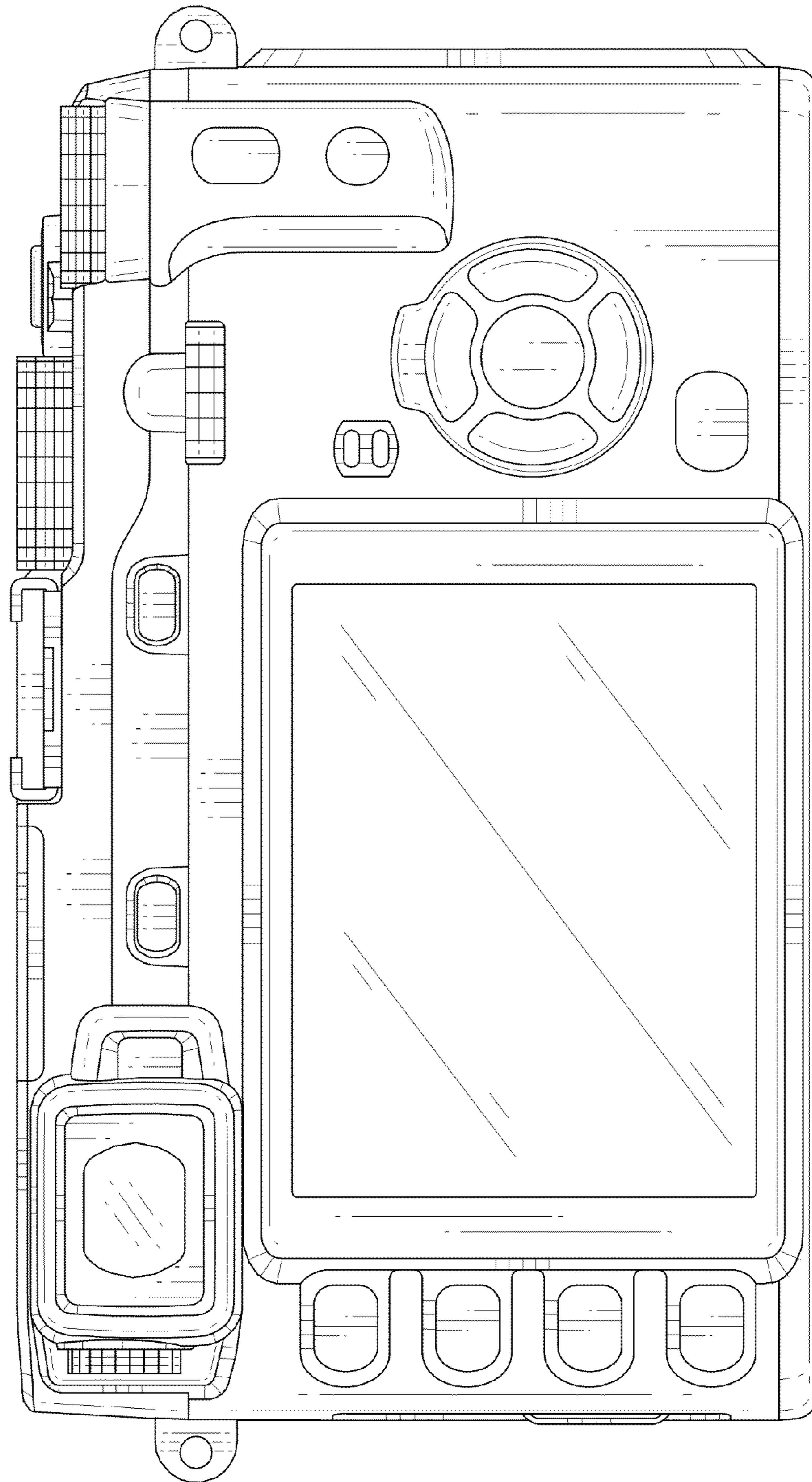


FIG. 4

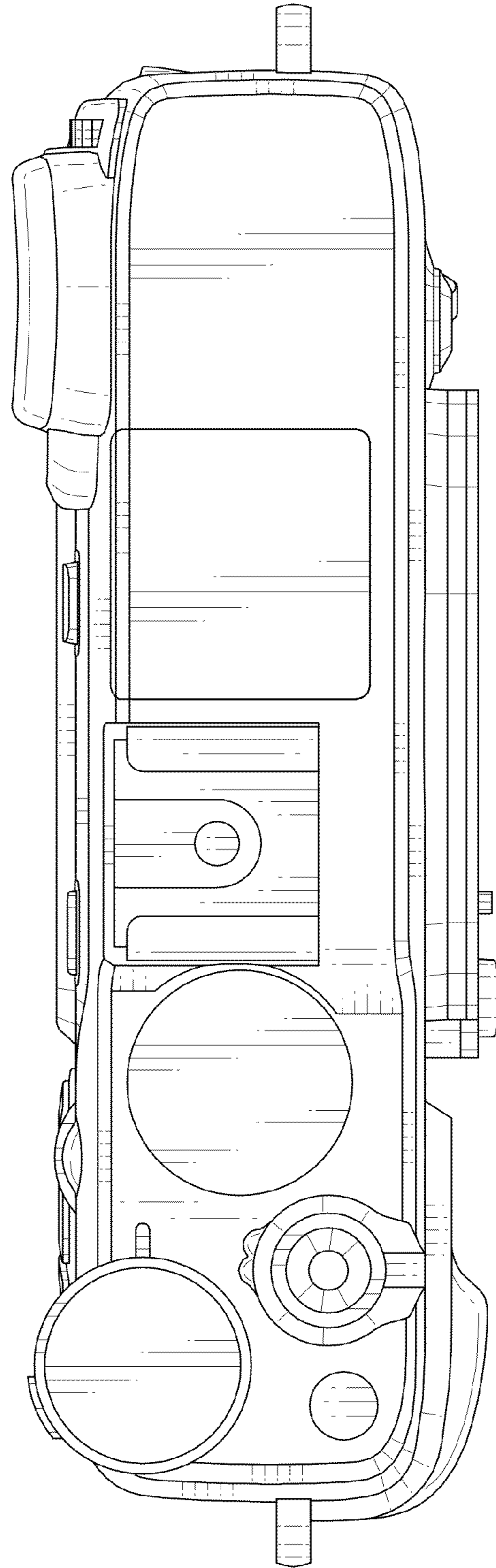


FIG. 5

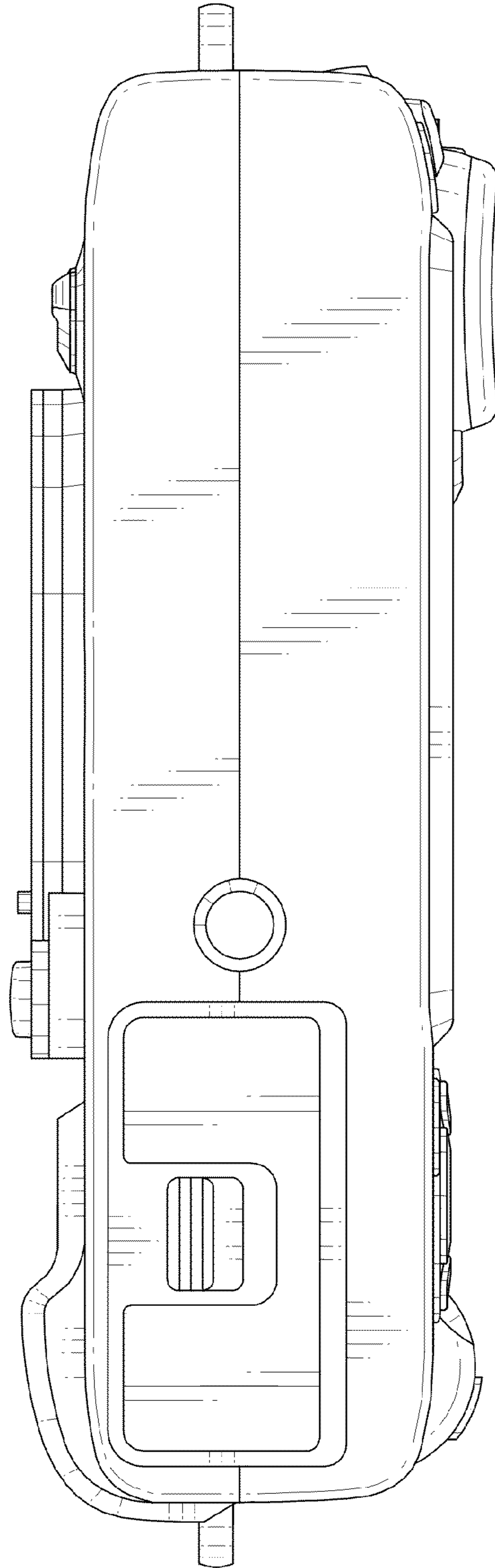


FIG. 6

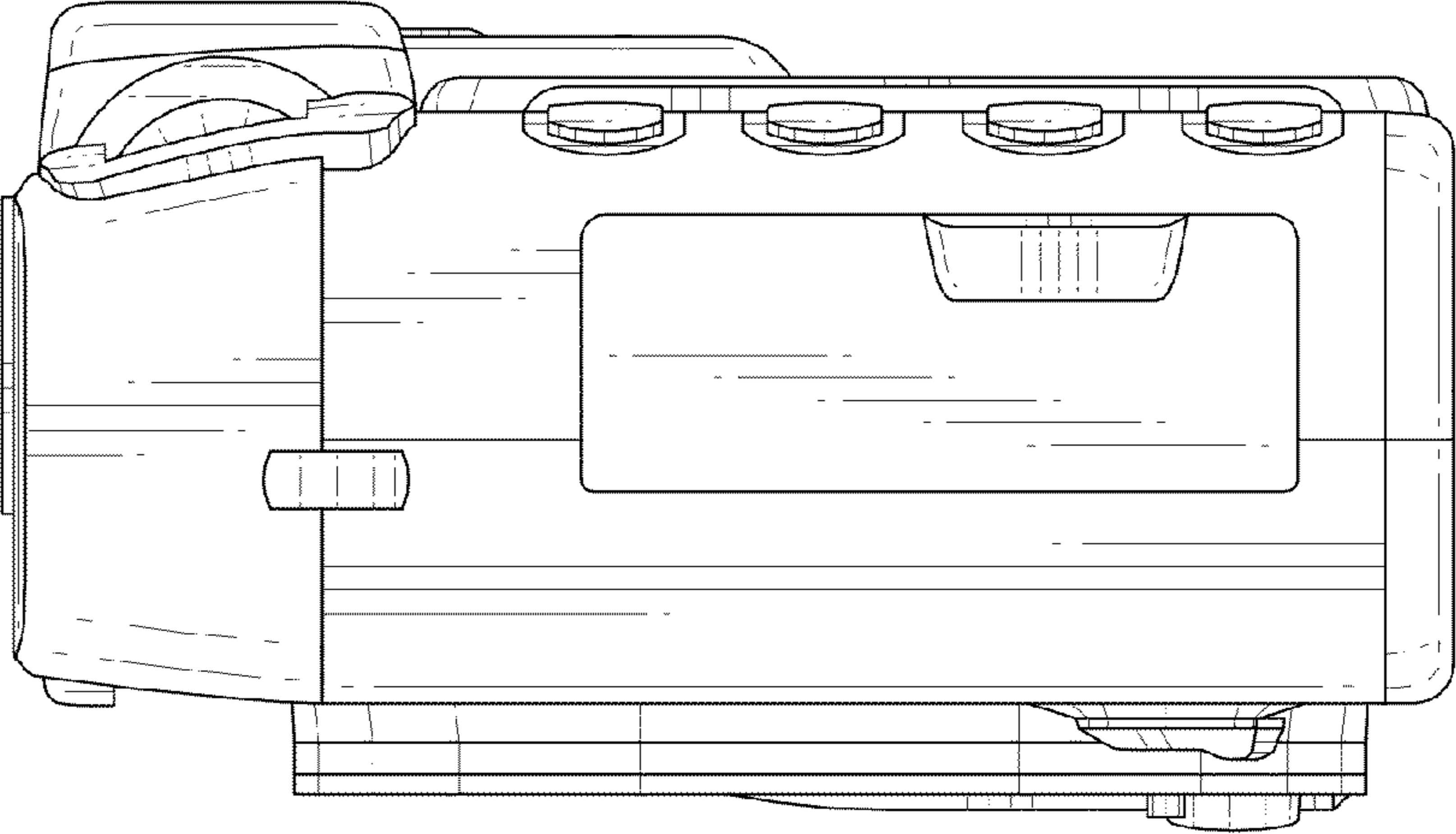


FIG. 7

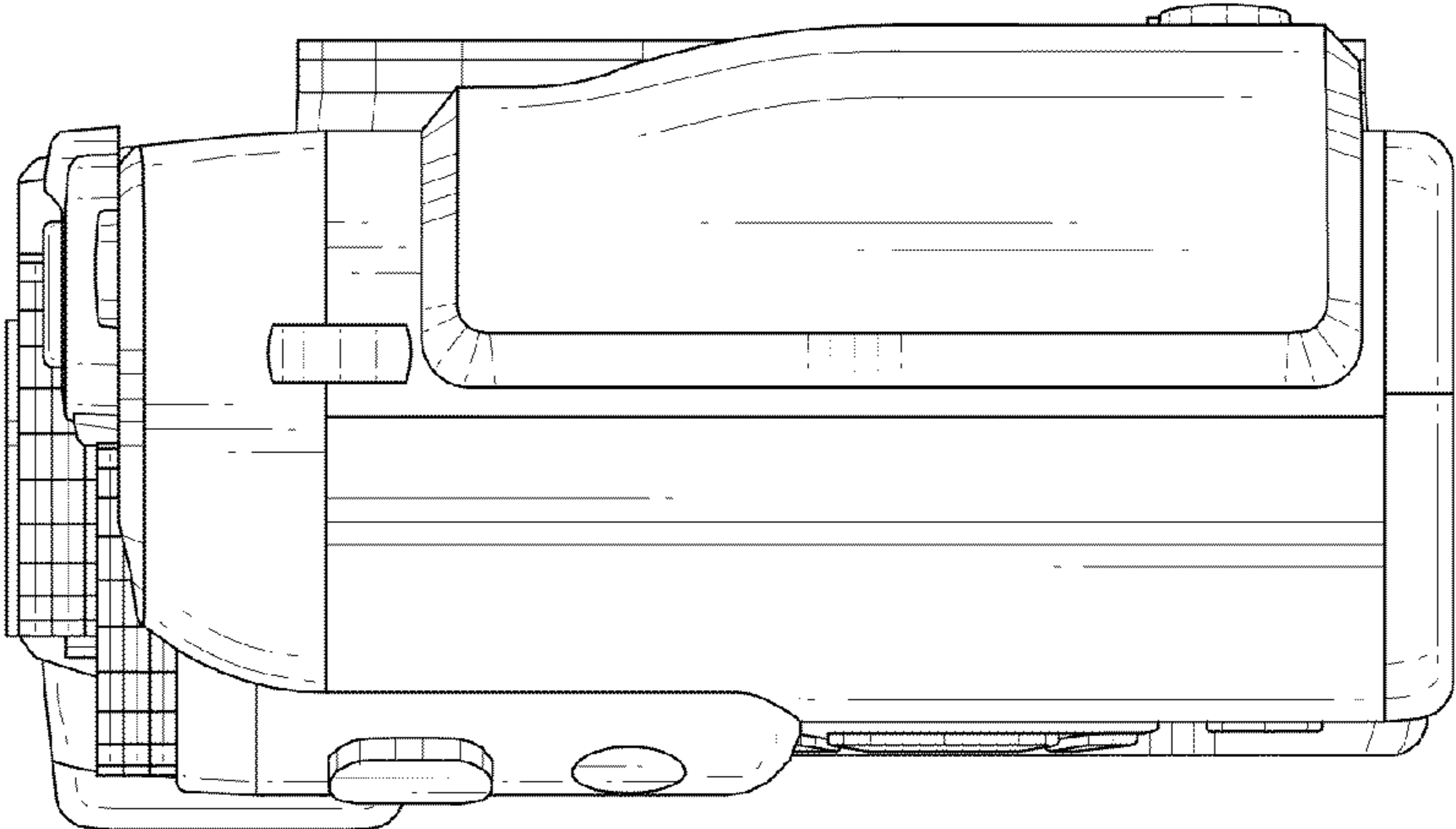


FIG. 8

