



US00D698838S

(12) **United States Design Patent**
Tainaka

(10) **Patent No.:** **US D698,838 S**
(45) **Date of Patent:** **** Feb. 4, 2014**

(54) **DIGITAL CAMERA BODY OF LENS REPLACING TYPE**

- (71) Applicant: **Olympus Imaging Corp.**, Tokyo (JP)
- (72) Inventor: **Daisuke Tainaka**, Hachioji (JP)
- (73) Assignee: **Olympus Imaging Corp.**, Tokyo (JP)
- (**) Term: **14 Years**
- (21) Appl. No.: **29/433,798**
- (22) Filed: **Oct. 4, 2012**

Related U.S. Application Data

- (62) Division of application No. 29/398,355, filed on Jul. 29, 2011, now Pat. No. Des. 676,475.

(30) **Foreign Application Priority Data**

- Jun. 28, 2011 (JP) 2011-014646
- (51) **LOC (10) Cl.** **16-01**
- (52) **U.S. Cl.**
USPC **D16/200; D16/202**
- (58) **Field of Classification Search**
USPC D16/200, 202, 204, 218; 348/373-376;
358/909.1; 396/535-541
See application file for complete search history.

(56) **References Cited**

U.S. PATENT DOCUMENTS

D631,496	S	1/2011	Tainaka	
D639,326	S	6/2011	Baba et al.	
D640,301	S	6/2011	Nohara	
D647,552	S	10/2011	Ogasawara et al.	
D649,997	S	12/2011	Imai	
D654,943	S *	2/2012	Ogasawara et al.	D16/219
D657,408	S *	4/2012	Tainaka	D16/202
8,233,082	B2	7/2012	Yamamoto	
D676,475	S *	2/2013	Tainaka	D16/202
2011/0109790	A1	5/2011	Shinohara et al.	

* cited by examiner

Primary Examiner — Adir Aronovich

(74) *Attorney, Agent, or Firm* — Holtz, Holtz, Goodman & Chick, PC

(57) **CLAIM**

I claim the ornamental design for a digital camera body of lens replacing type.

DESCRIPTION

FIG. 1 is a front, top and right-side perspective view of a digital camera body of lens replacing type, showing my new design;
 FIG. 2 is a front elevational view thereof;
 FIG. 3 is a rear elevational view thereof;
 FIG. 4 is a top plan view thereof;
 FIG. 5 is a bottom plan view thereof;
 FIG. 6 is a right-side elevational view thereof; and,
 FIG. 7 is a left-side elevational view thereof.

1 Claim, 6 Drawing Sheets

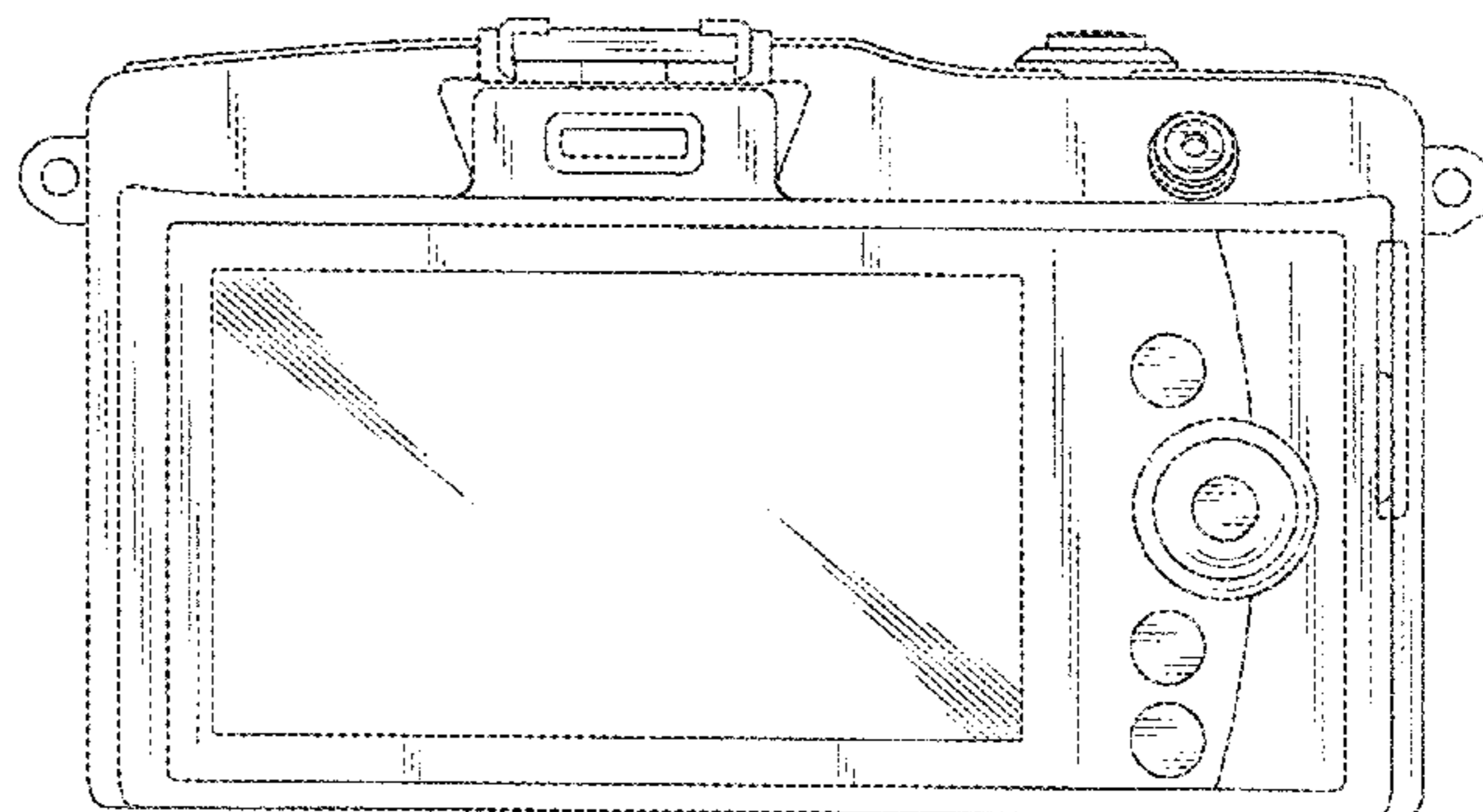
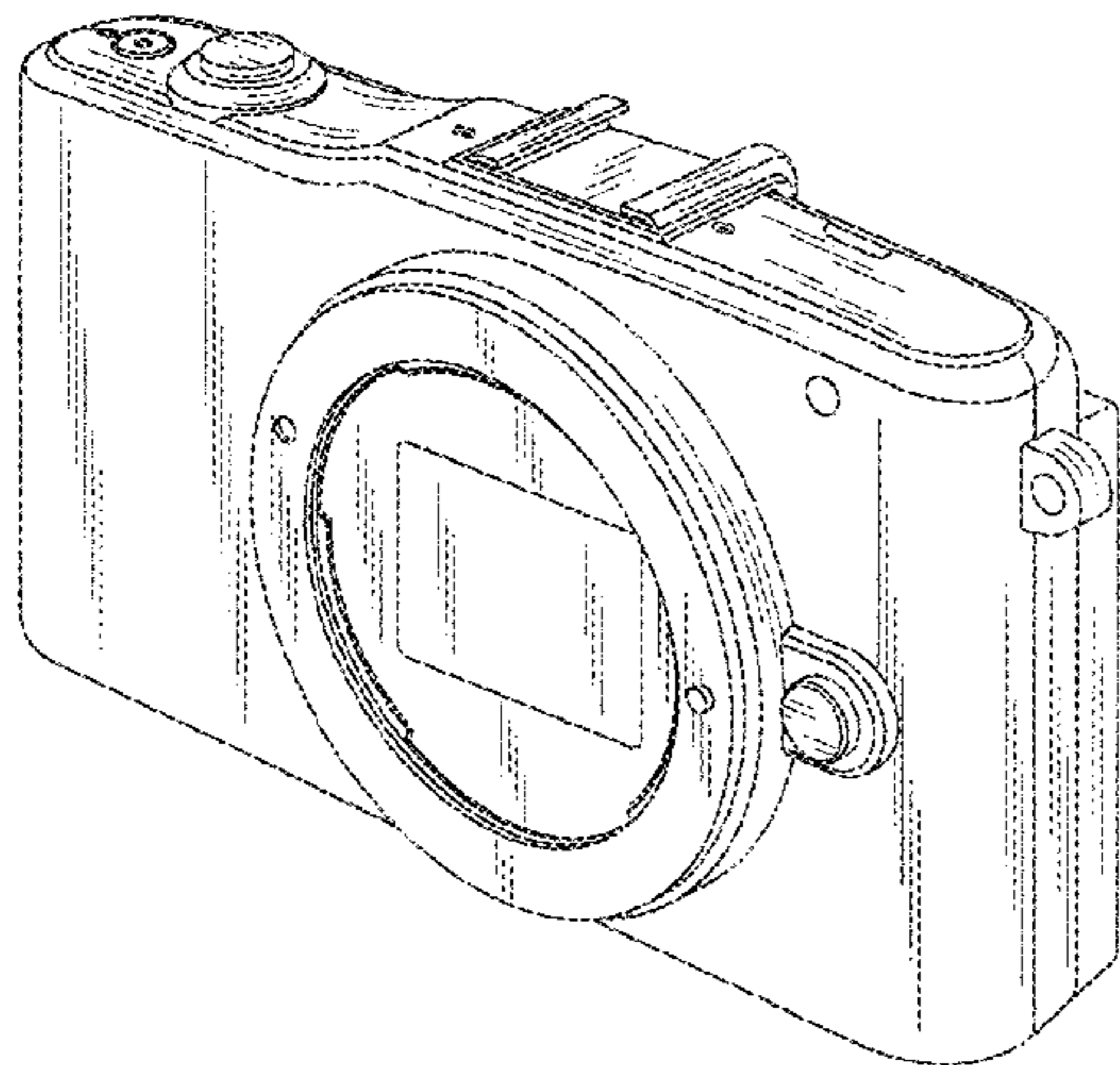


Fig. 1

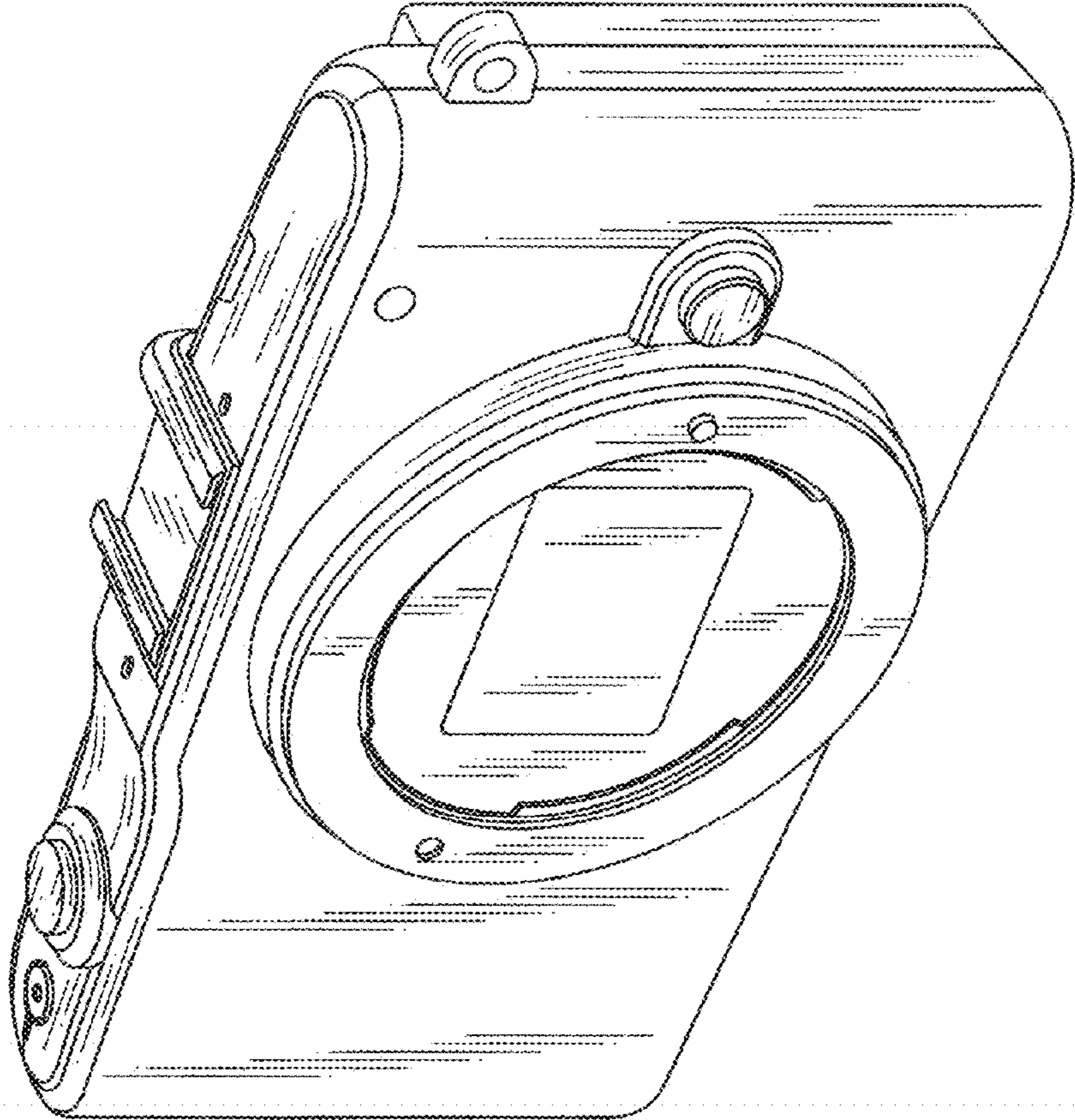


Fig. 2

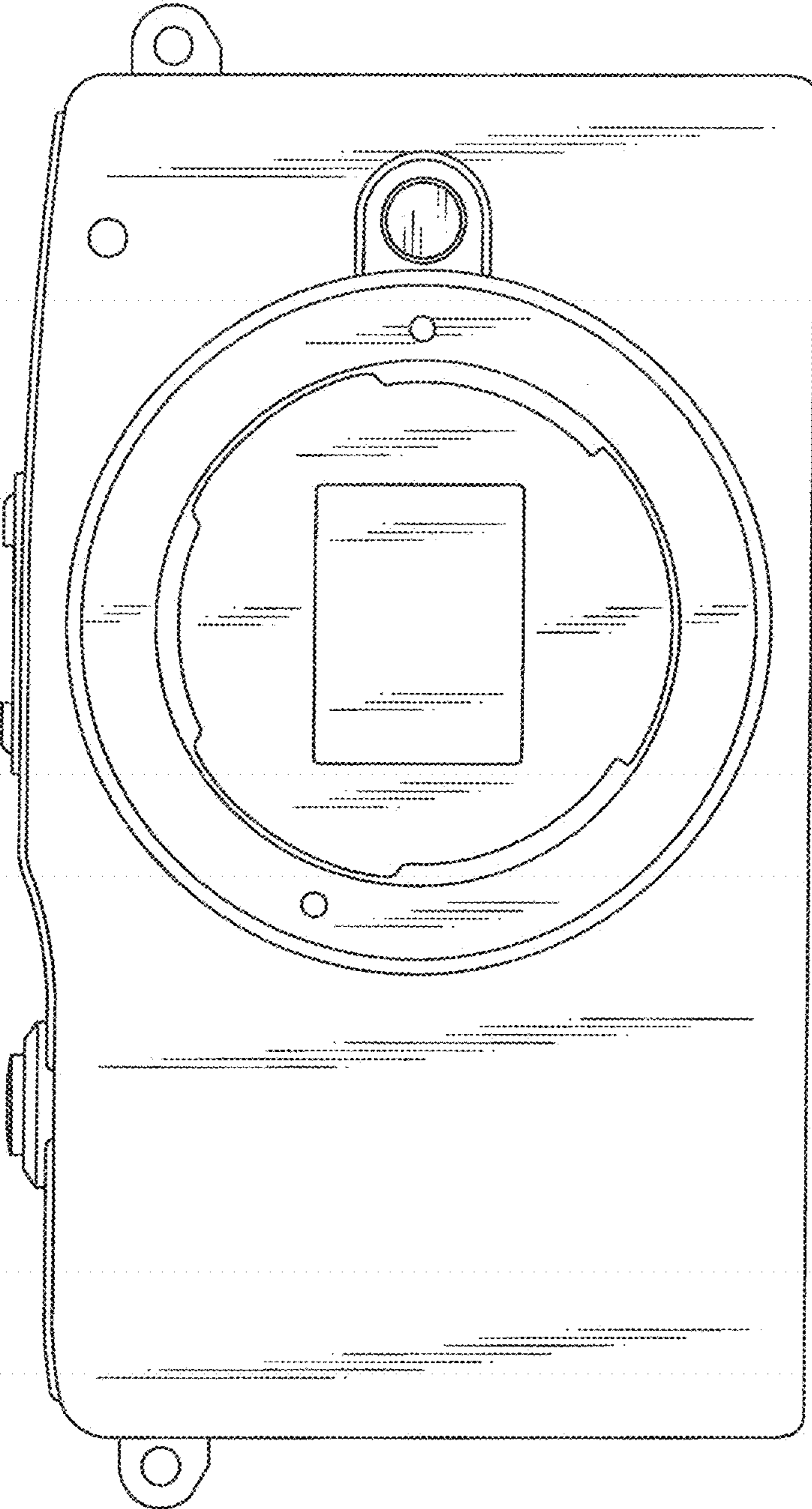


Fig. 3

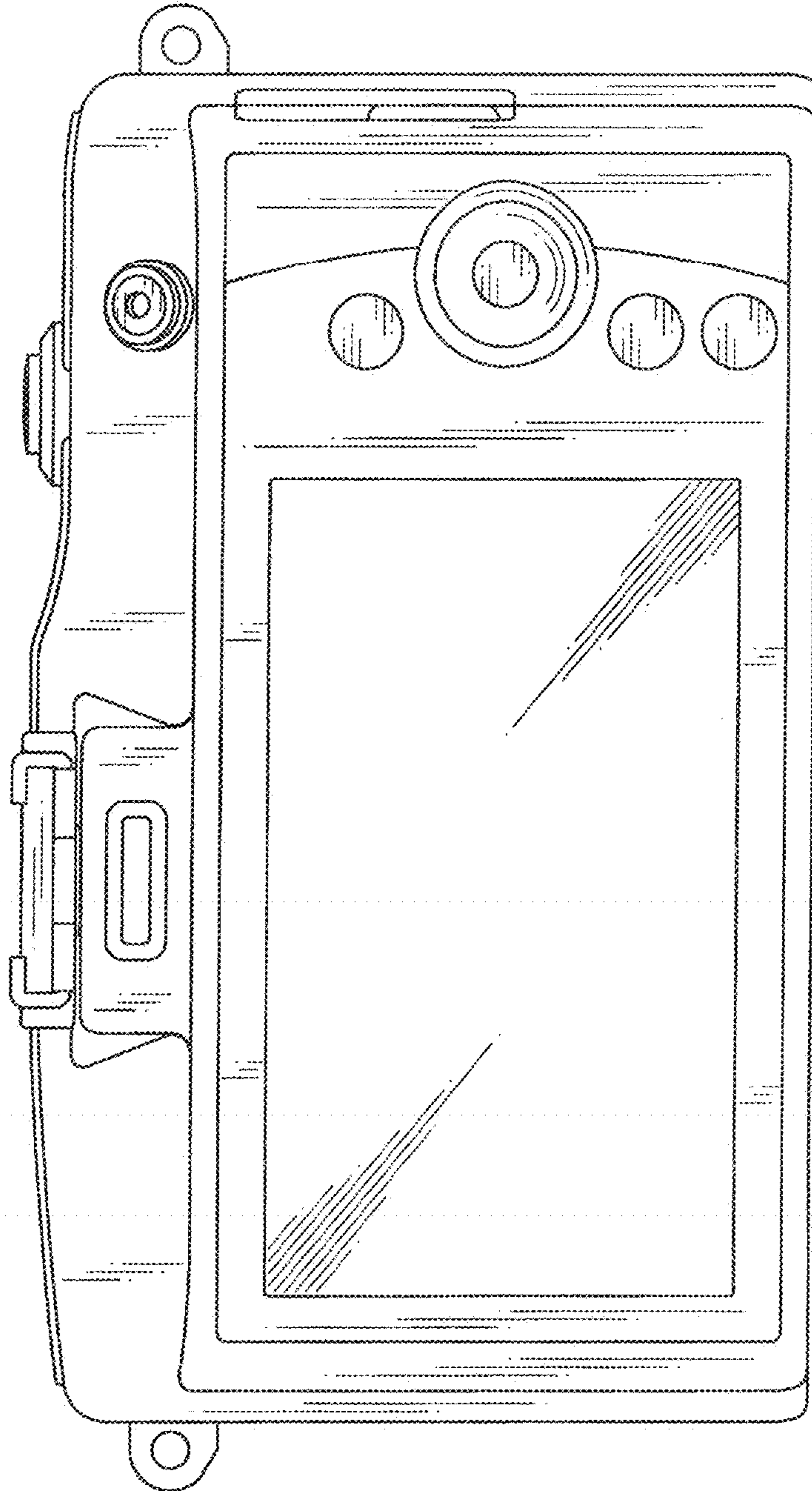


Fig. 4

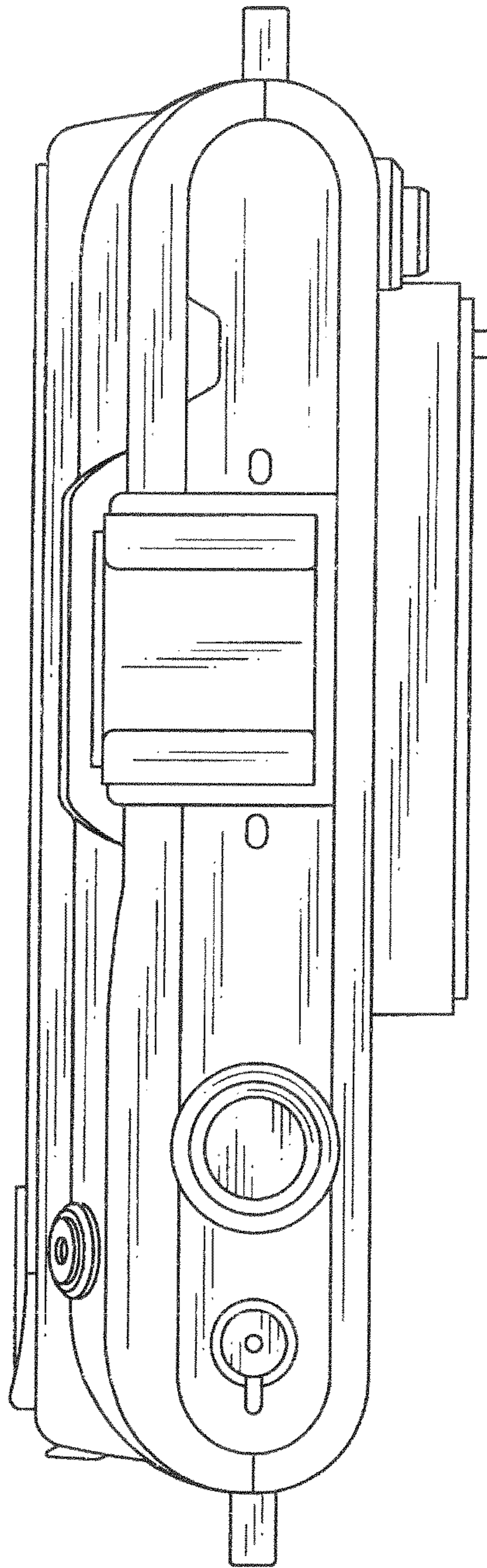


Fig. 5

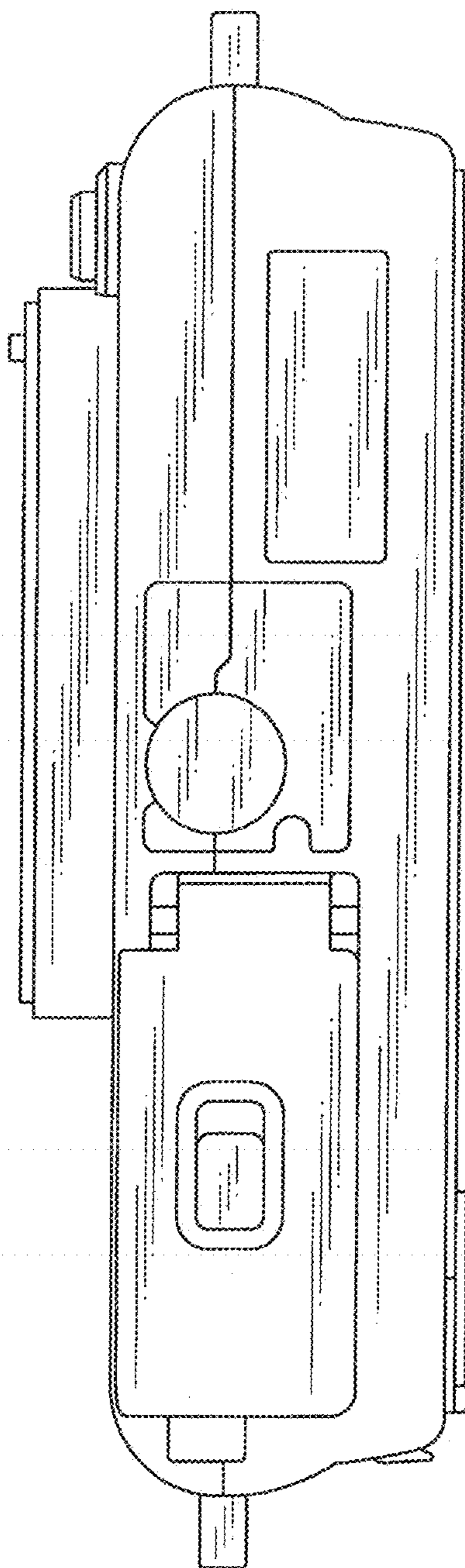


Fig. 6

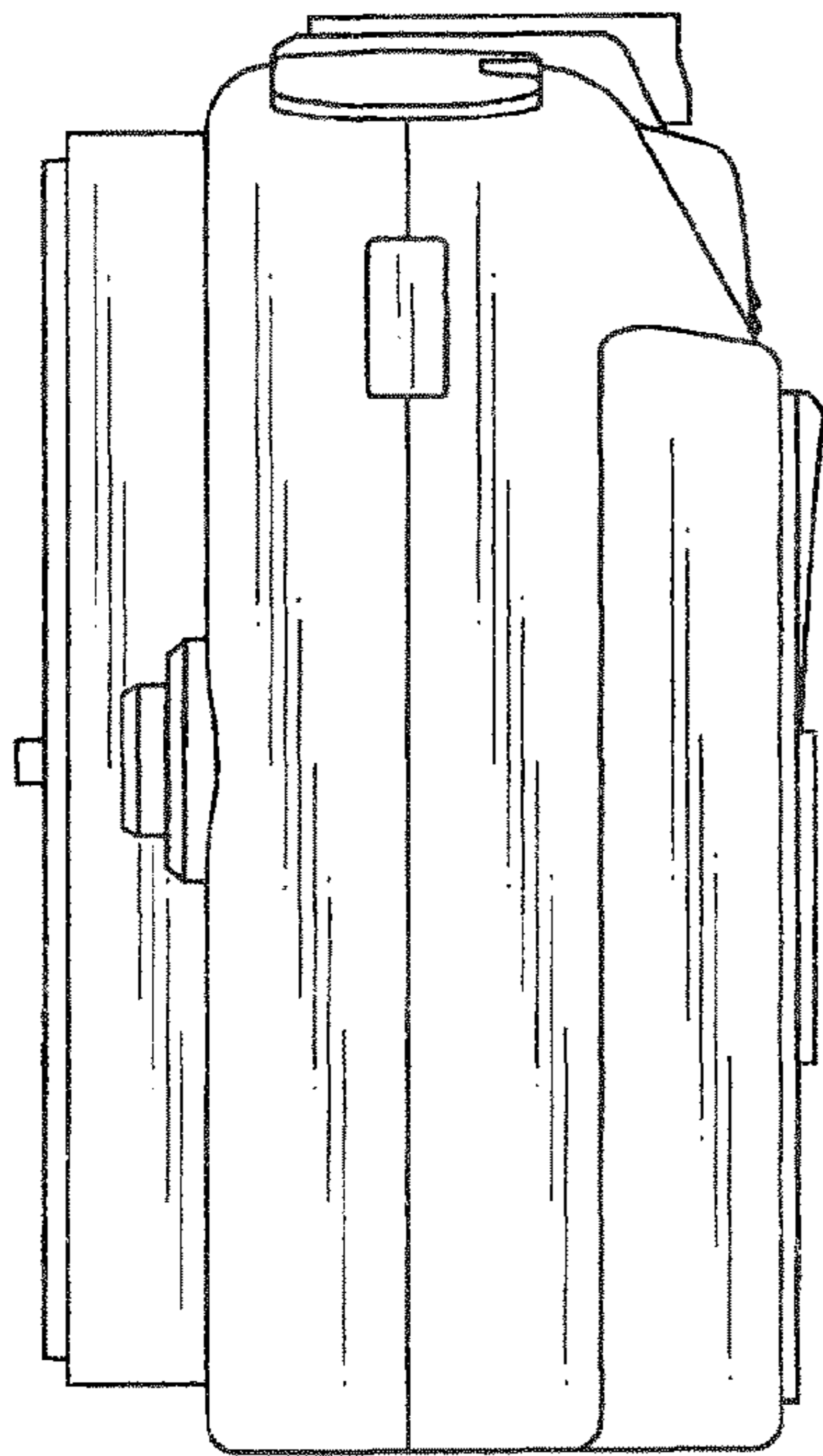


Fig. 7

