



US00D698837S

(12) **United States Design Patent**
Wöppermann

(10) **Patent No.:** **US D698,837 S**

(45) **Date of Patent:** **** Feb. 4, 2014**

(54) **GEAR BOX**

D676,884 S * 2/2013 Zhang et al. D15/148
D677,293 S * 3/2013 Andersson D15/148
D685,404 S * 7/2013 Andersson D15/148

(71) Applicant: **Sew-Eurodrive GmbH & Co KG**,
Bruchsal (DE)

* cited by examiner

(72) Inventor: **Markus Wöppermann**, Karlsbad (DE)

Primary Examiner — Patricia Palasik

(73) Assignee: **SEW-EURODRIVE GmbH & Co. KG**,
Bruchsal (DE)

(74) *Attorney, Agent, or Firm* — Finnegan, Henderson,
Farabow, Garrett & Dunner, LLP

(**) Term: **14 Years**

(57) **CLAIM**

The ornamental design for a gear box, as shown and described.

(21) Appl. No.: **29/457,721**

DESCRIPTION

(22) Filed: **Jun. 12, 2013**

(51) **LOC (10) Cl.** **15-09**

(52) **U.S. Cl.**
USPC **D15/148**

(58) **Field of Classification Search**
USPC D15/5, 148, 149; 74/66 A, 366 R, 95,
74/395, 411, 489, 607, 640; 474/82, 144,
474/146; 475/83, 331–335, 345; 476/42
See application file for complete search history.

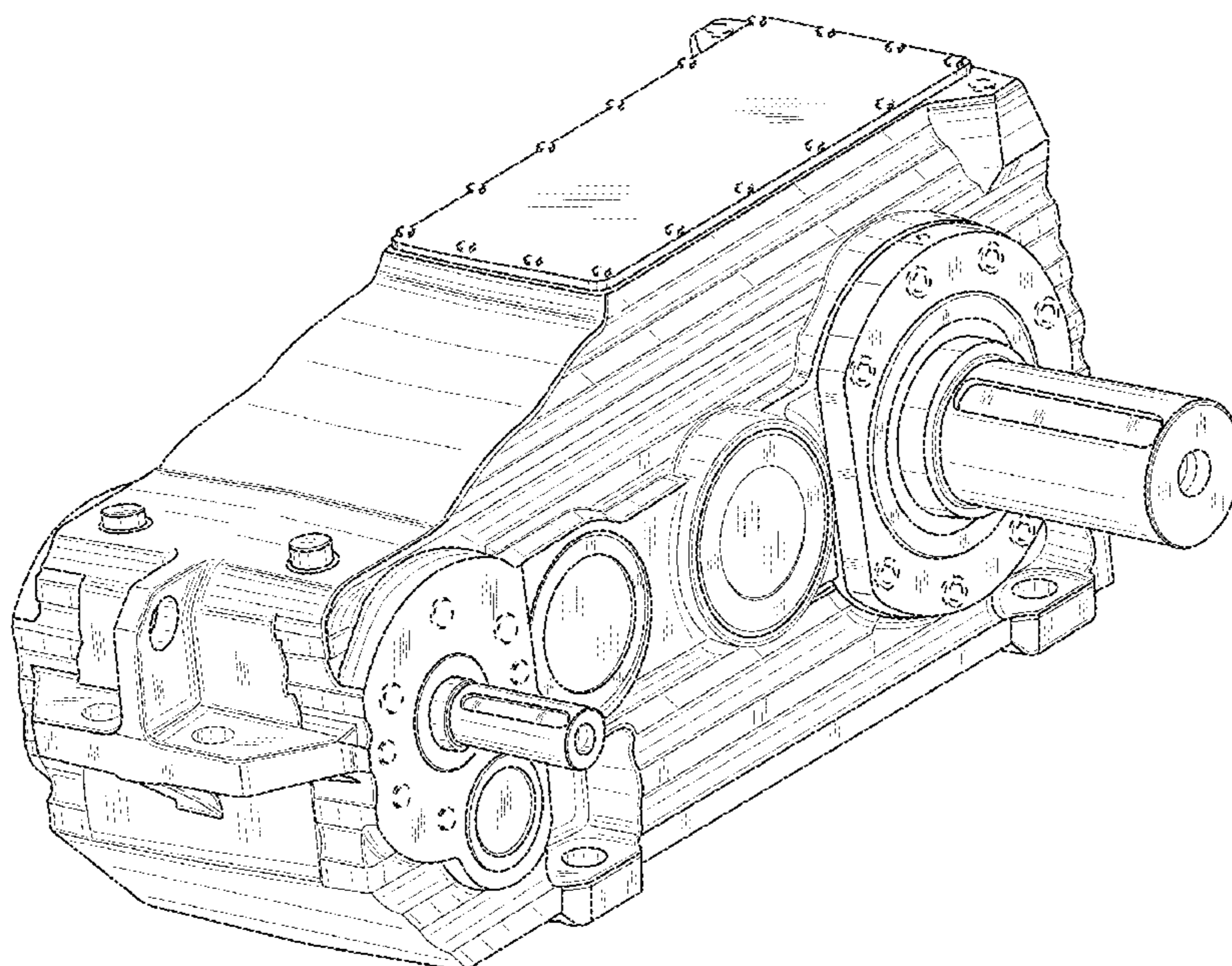
FIG. 1 is a front left perspective view of a gear box showing a first embodiment of my new design;
FIG. 2 is a right side view thereof;
FIG. 3 is a front view thereof;
FIG. 4 is a rear view thereof;
FIG. 5 is a left side view thereof;
FIG. 6 is a top plan view thereof;
FIG. 7 is a bottom view thereof;
FIG. 8 is a front left perspective view of a gear box showing a second embodiment of my new design;
FIG. 9 is a right side view thereof;
FIG. 10 is a front view thereof;
FIG. 11 is a rear view thereof;
FIG. 12 is a left side view thereof;
FIG. 13 is a top plan view thereof; and,
FIG. 14 is a bottom view thereof.
The portions depicted in broken lines are environment and form no part of the claimed design.

(56) **References Cited**

U.S. PATENT DOCUMENTS

D368,919 S * 4/1996 Lannoch D15/148
D406,596 S * 3/1999 Ziegler et al. D15/148
D410,659 S * 6/1999 Lannoch D15/148
D419,577 S * 1/2000 Lannoch D15/148
D447,148 S * 8/2001 Antony et al. D15/7
D479,725 S * 9/2003 Lannoch D15/148
D571,837 S * 6/2008 Lannoch D15/148

1 Claim, 14 Drawing Sheets



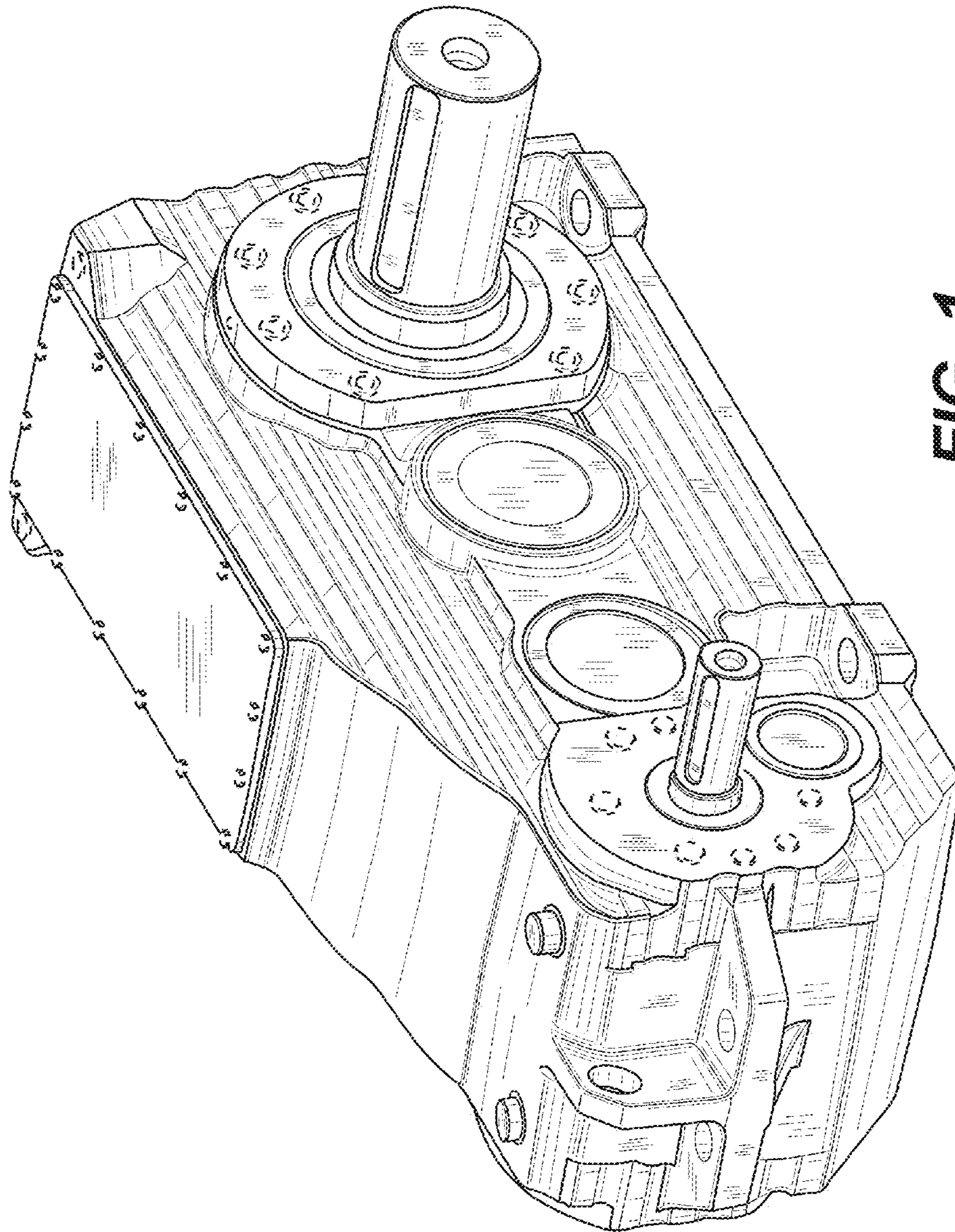


FIG. 1

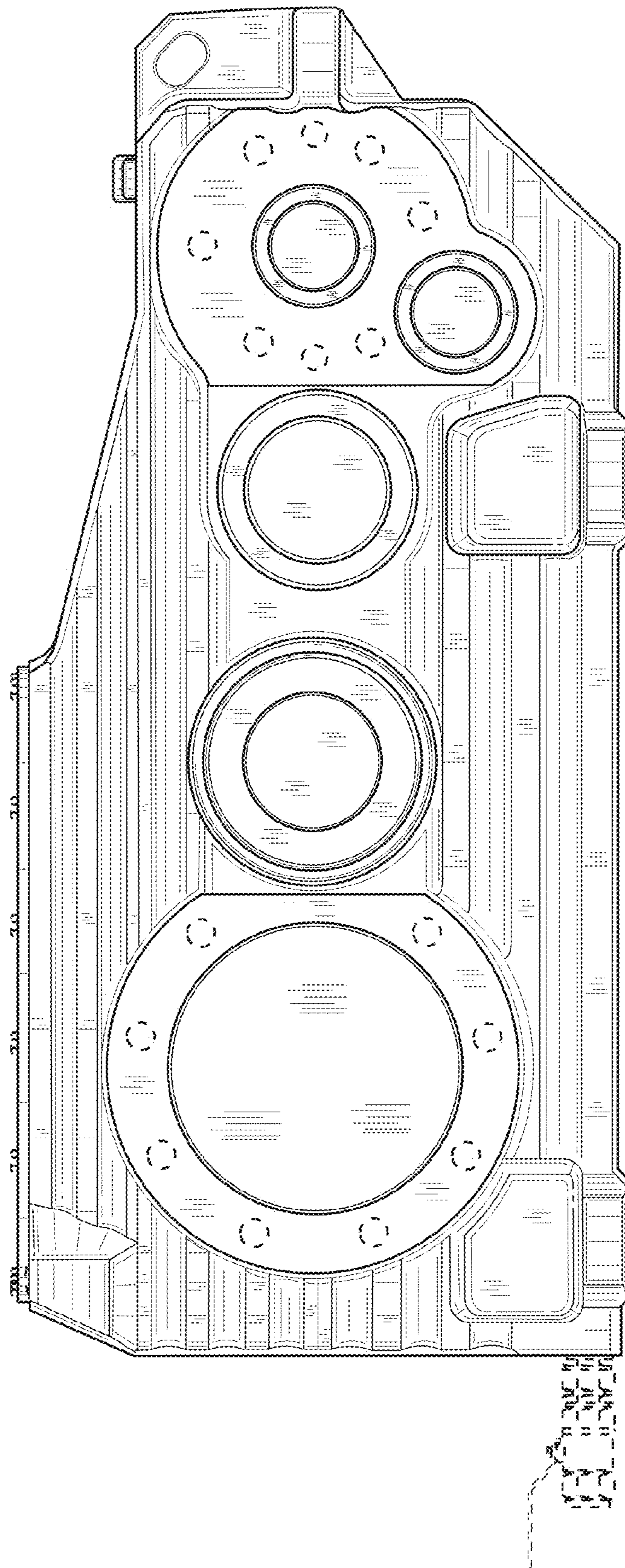


FIG. 2

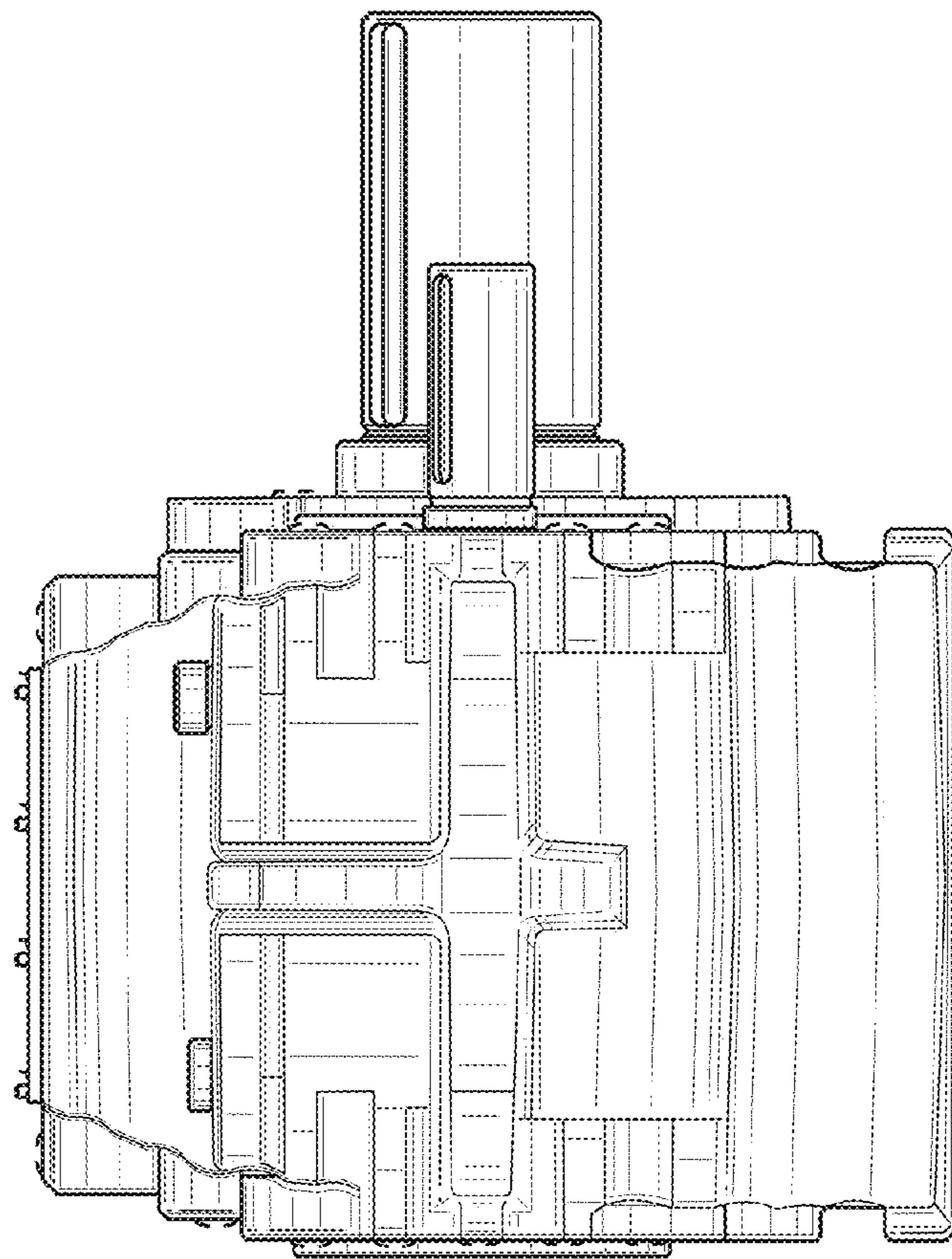


FIG. 3

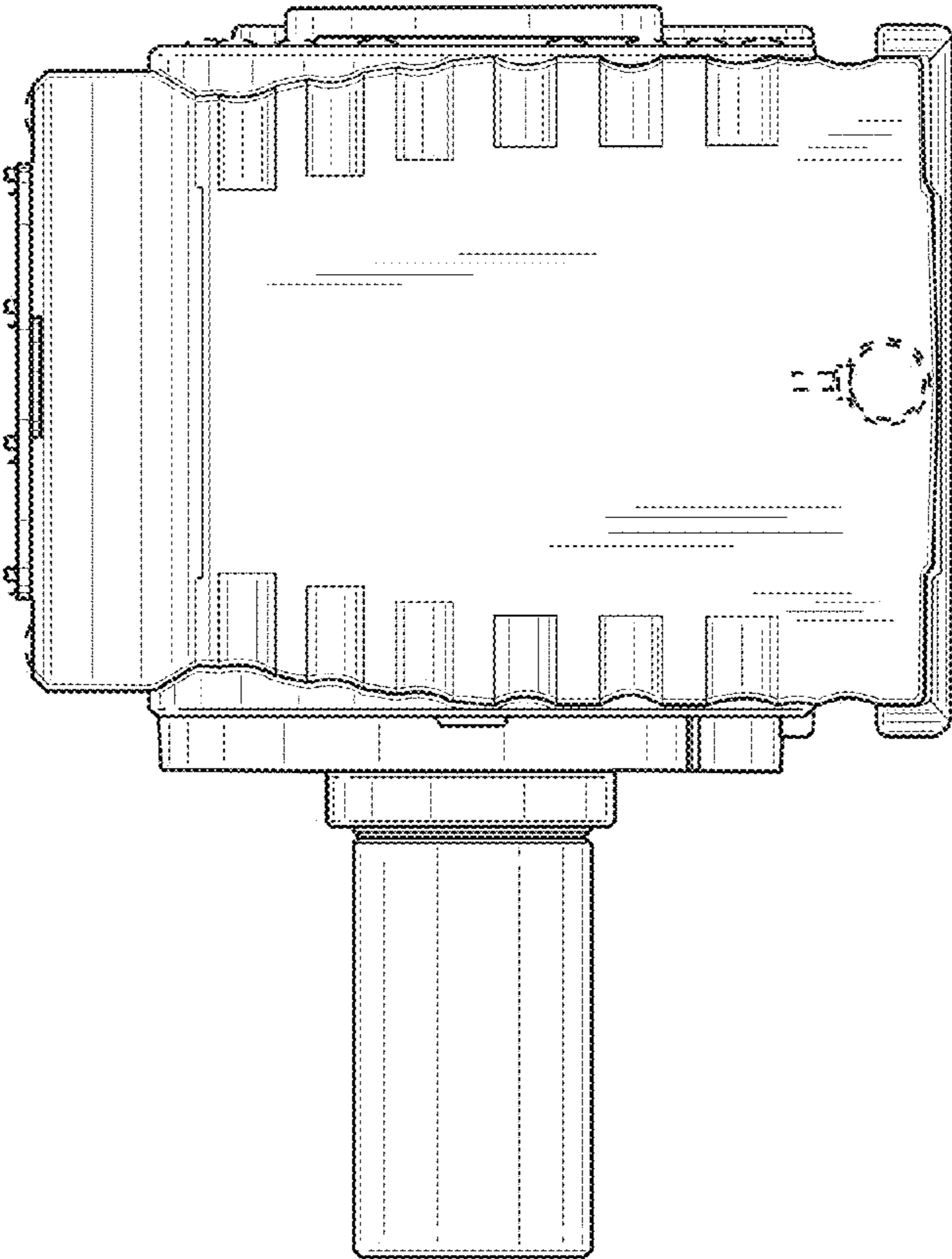


FIG. 4

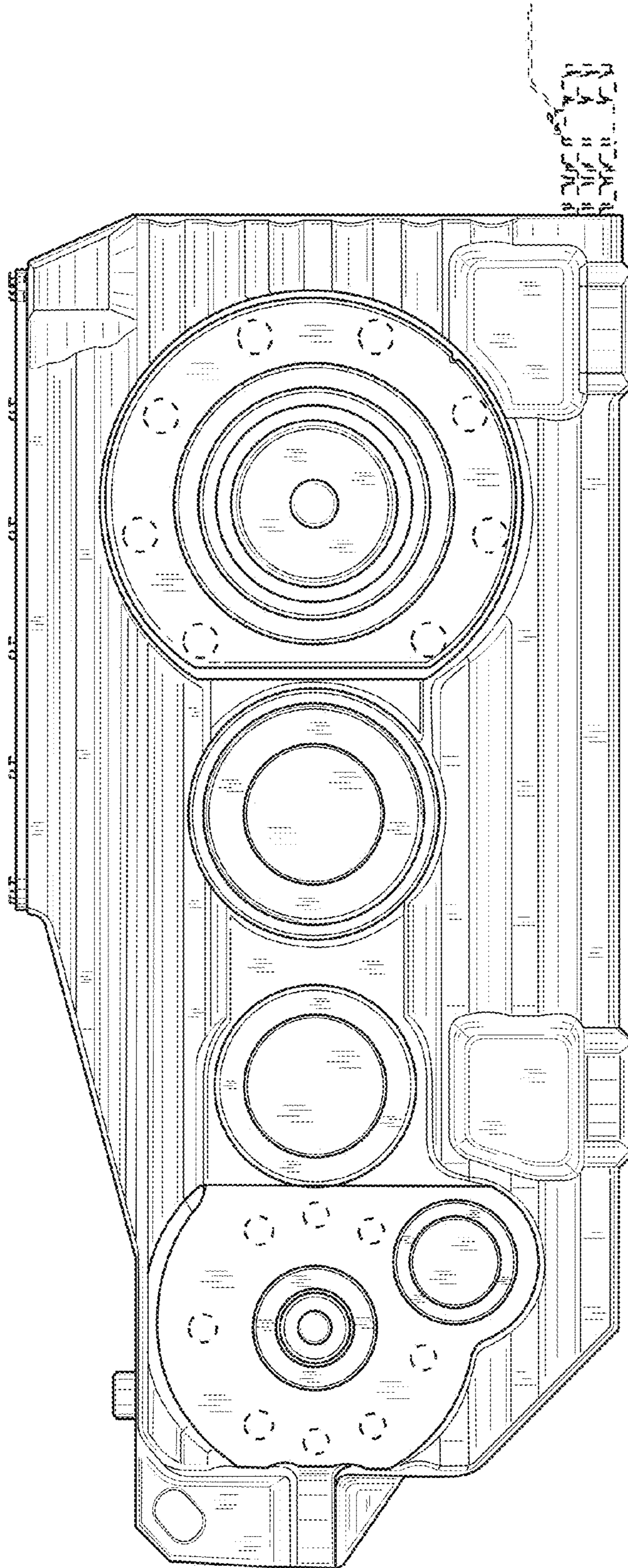


FIG. 5

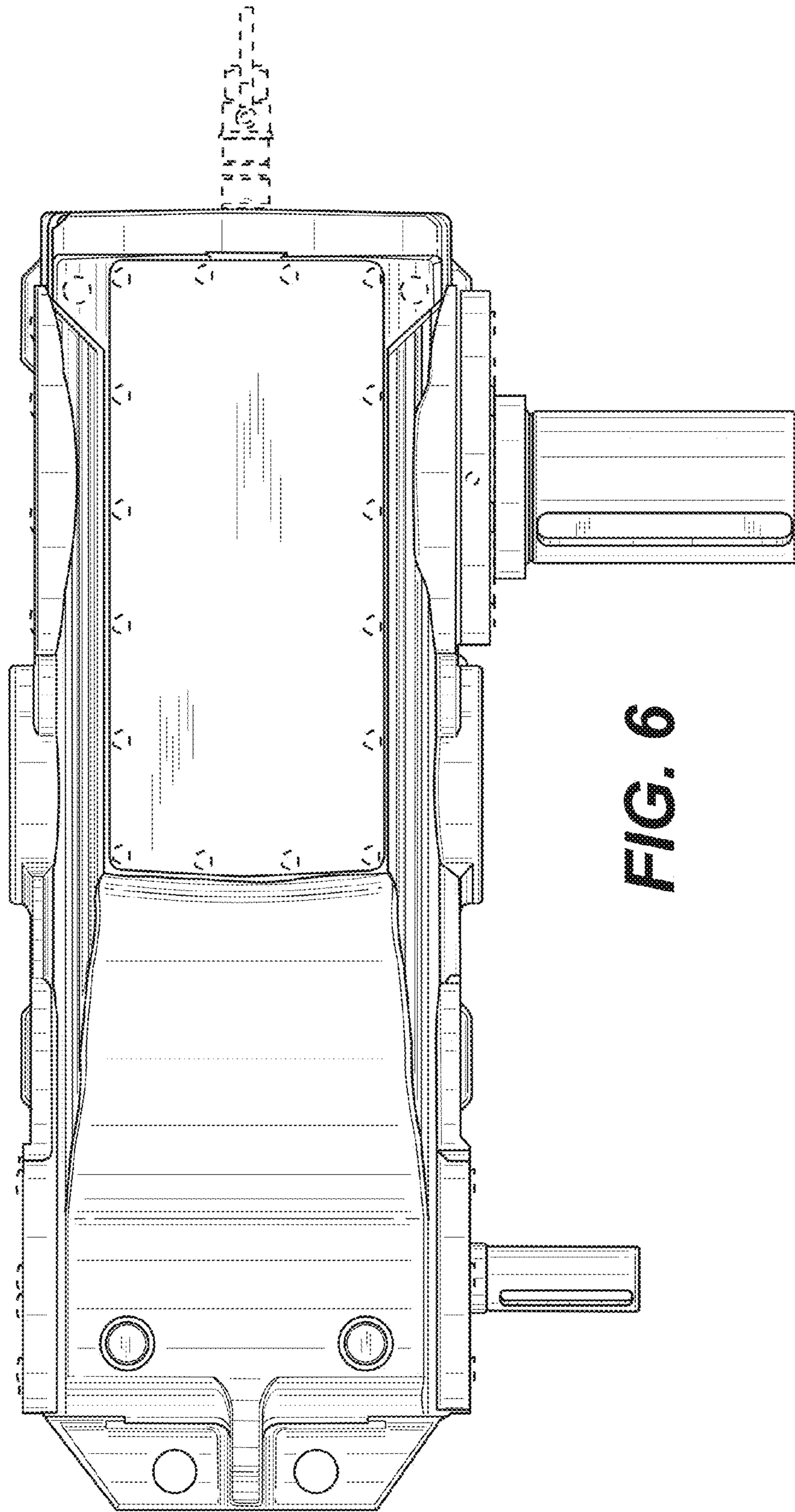


FIG. 6

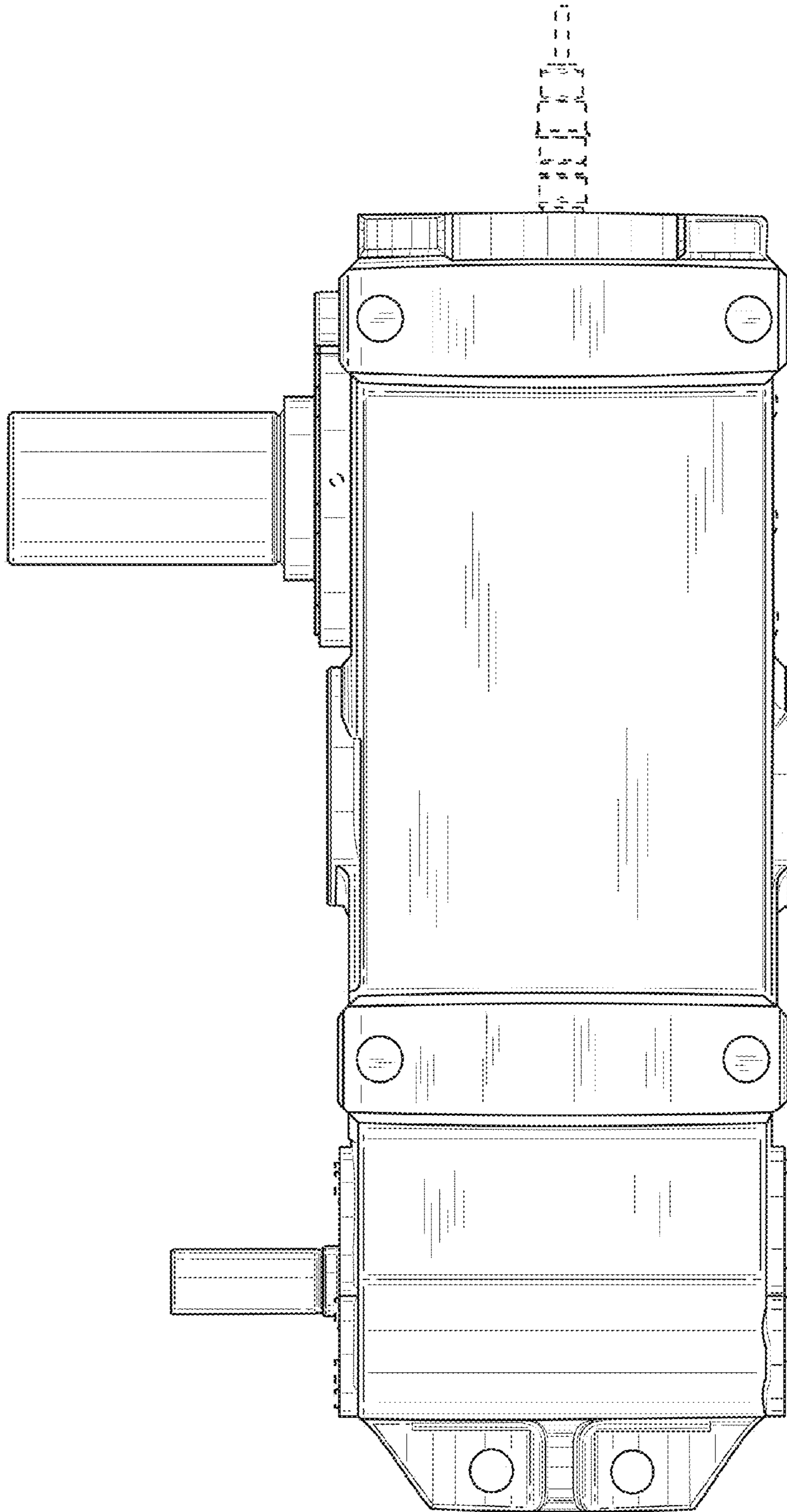


FIG. 7

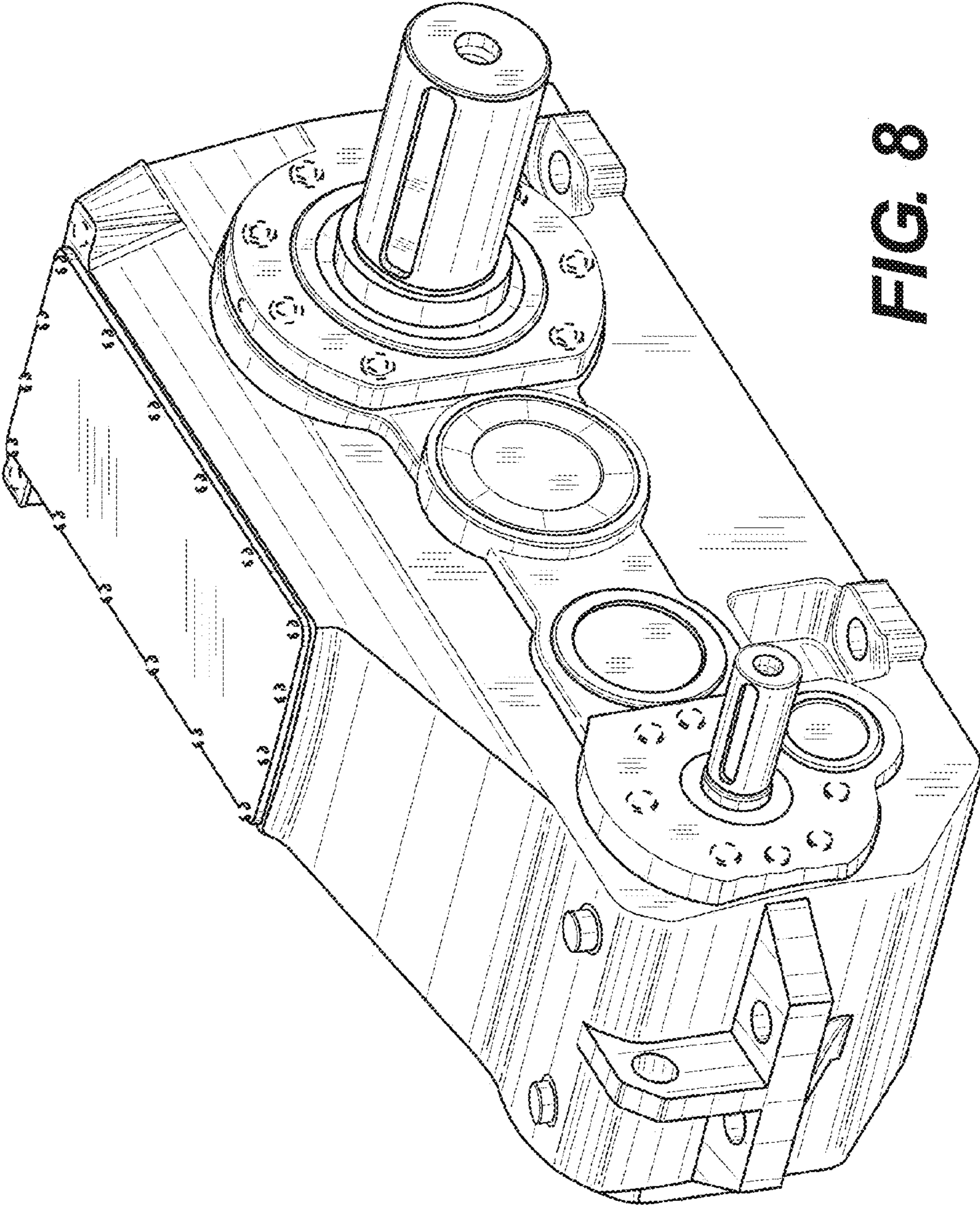


FIG. 8

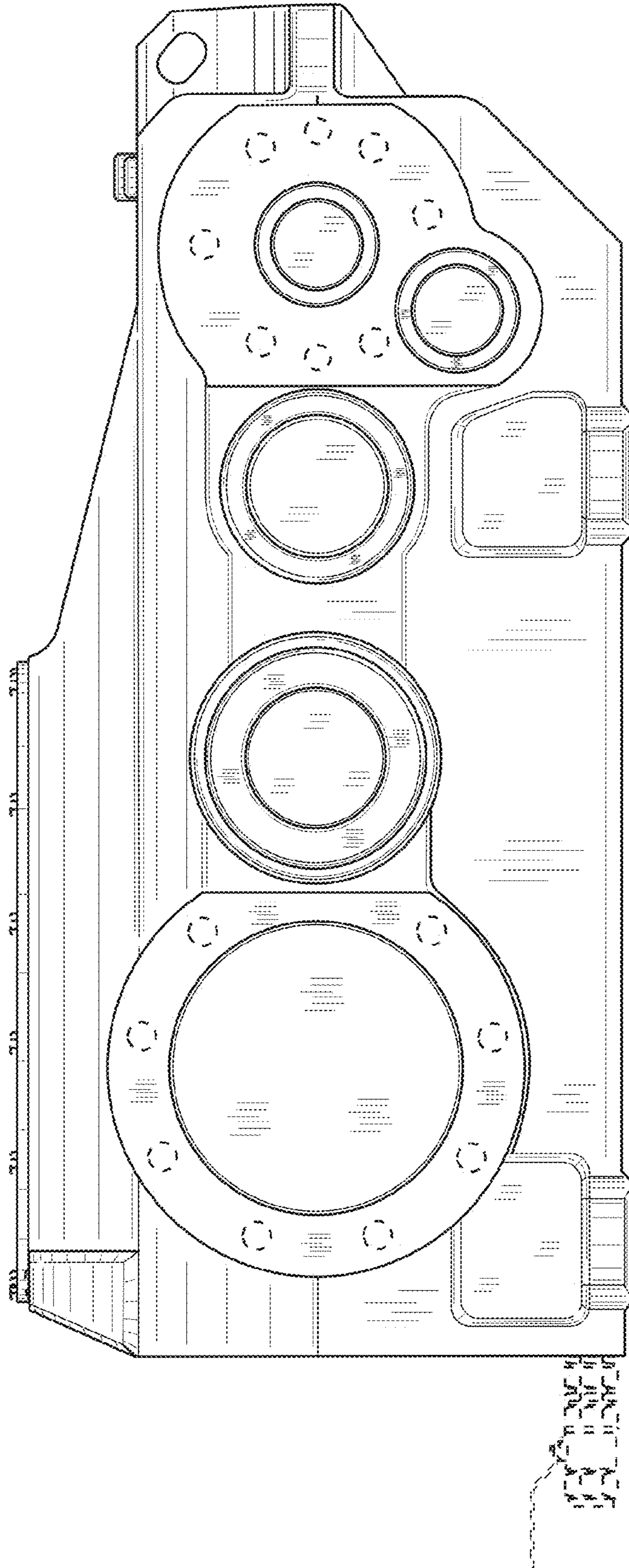


FIG. 9

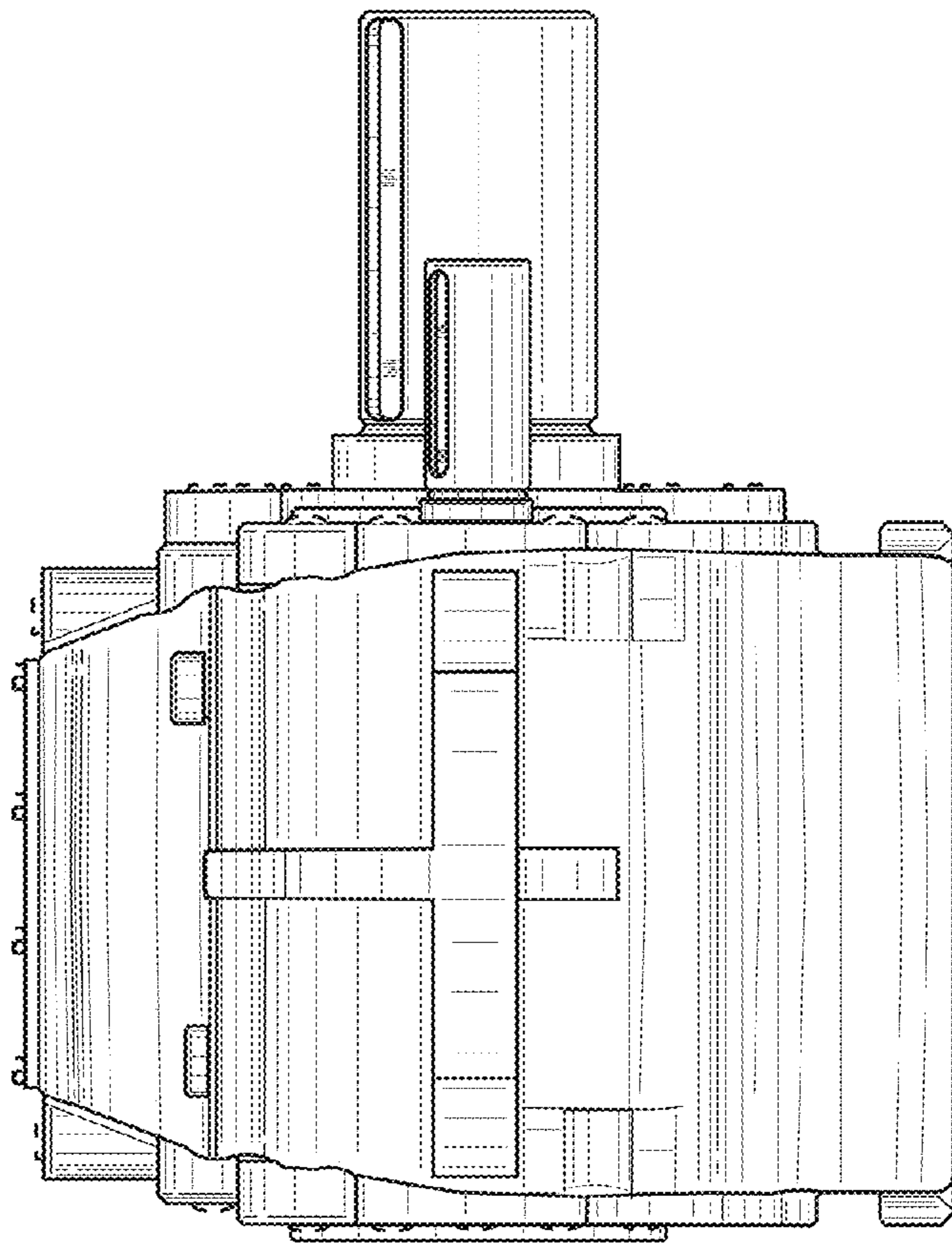


FIG. 10

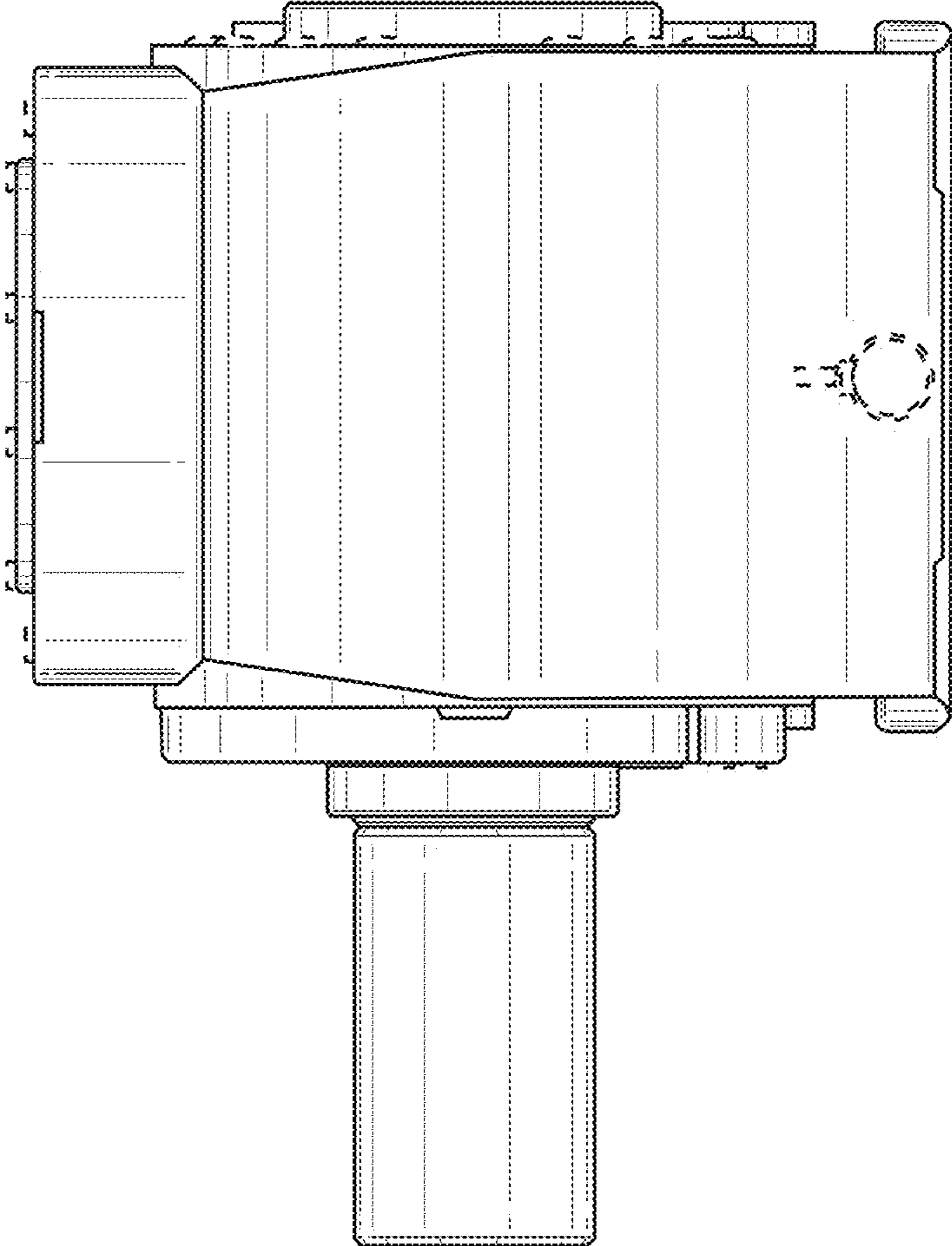


FIG. 11

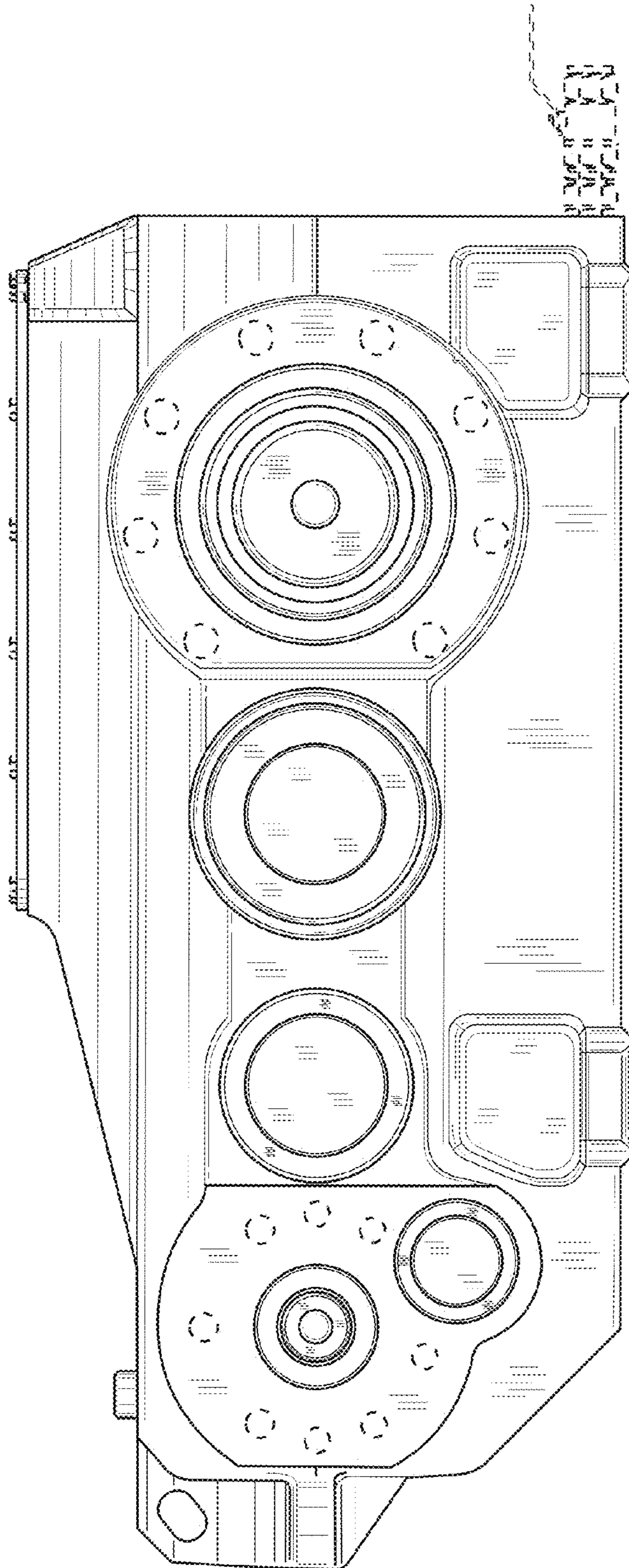


FIG. 12

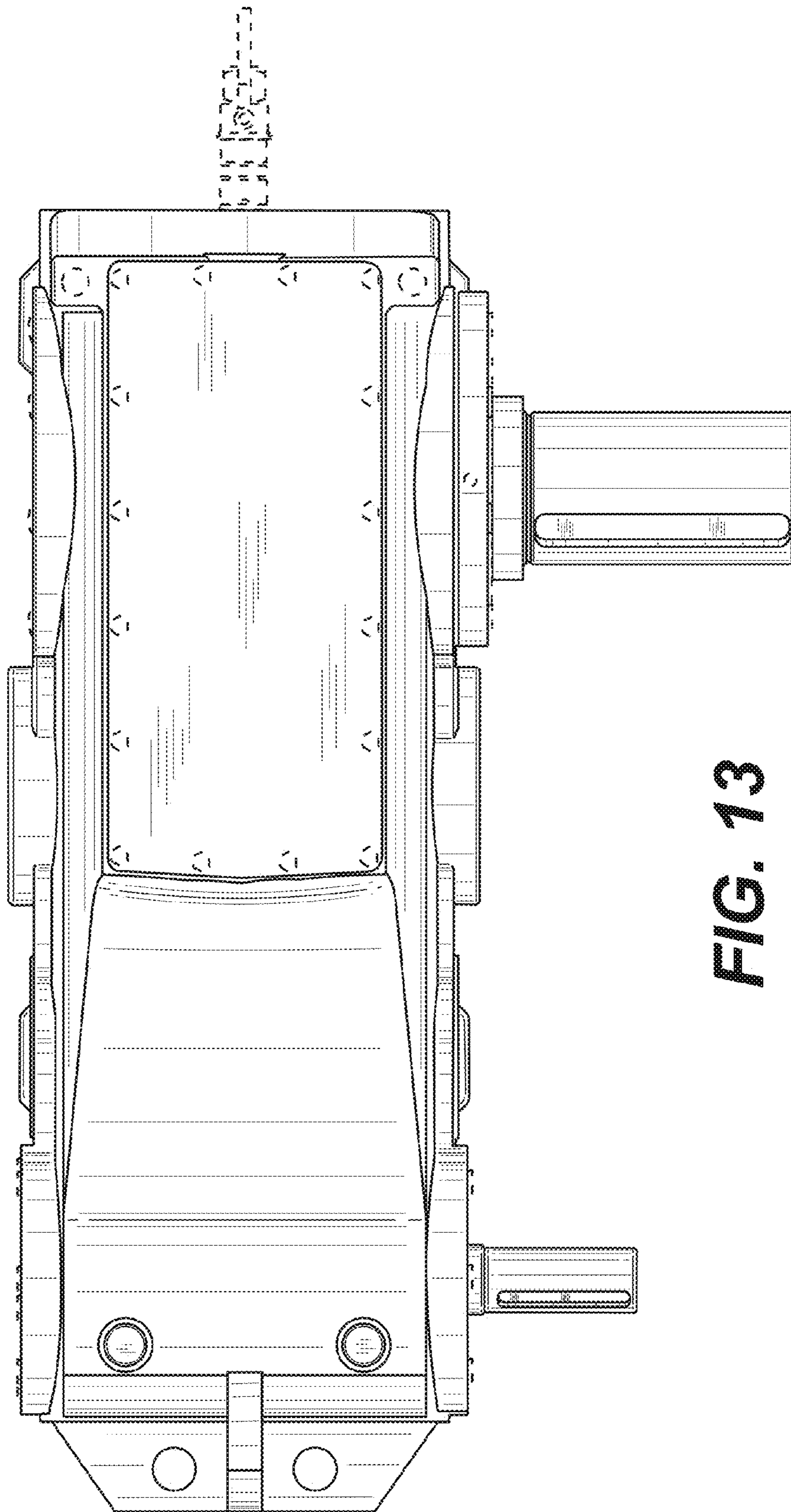


FIG. 13

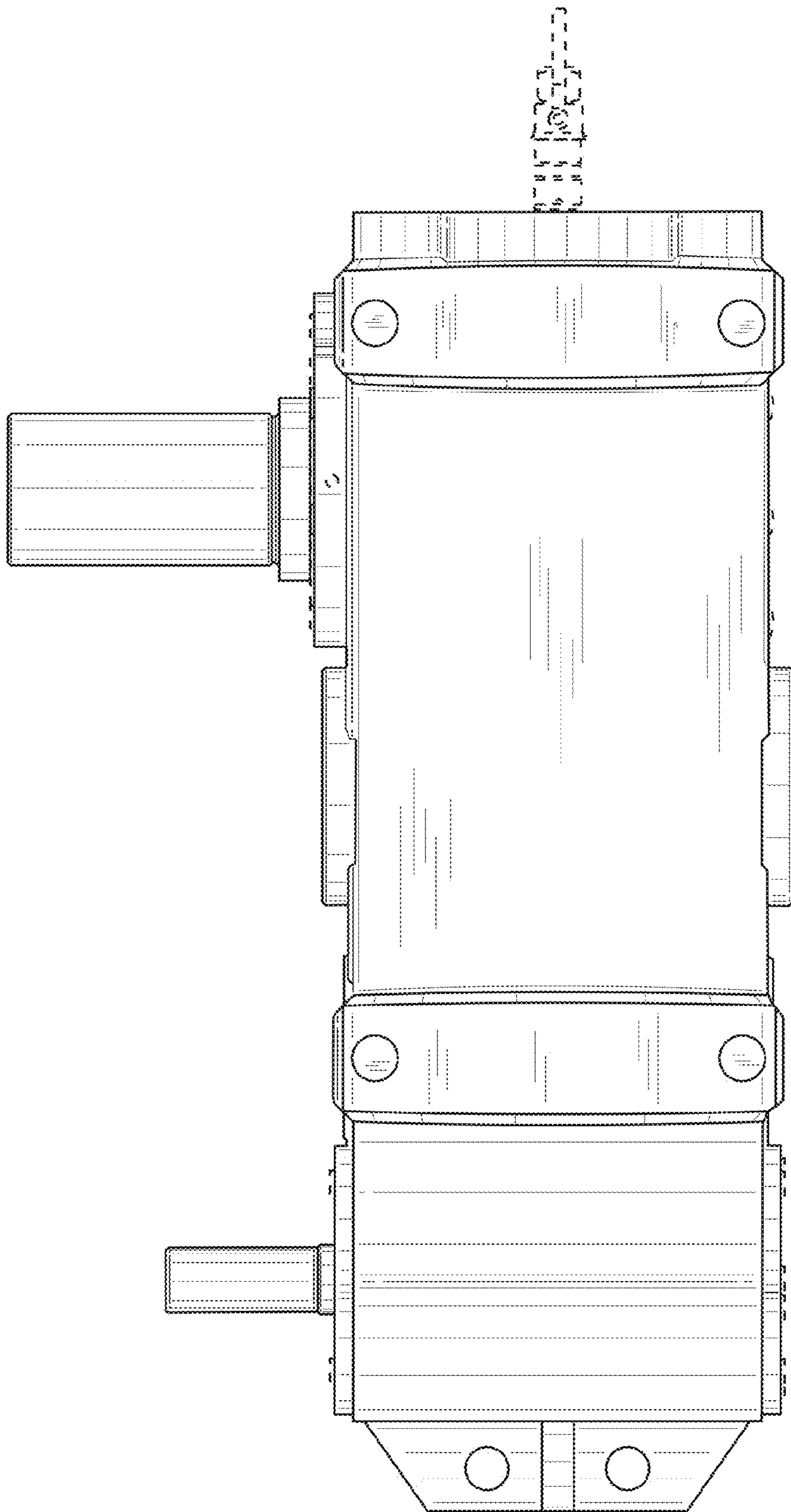


FIG. 14