



US00D698836S

(12) **United States Design Patent**
Rim et al.

(10) **Patent No.:** **US D698,836 S**

(45) **Date of Patent:** **** Feb. 4, 2014**

(54) **PACKAGING MACHINE FOR FOOD CONTAINER**

(71) Applicants: **Yong Soo Rim**, Daejeon (KR); **Jung Kun Ahn**, Ansan-si (KR)

(72) Inventors: **Yong Soo Rim**, Daejeon (KR); **Jung Kun Ahn**, Ansan-si (KR)

(**) Term: **14 Years**

(21) Appl. No.: **29/453,285**

(22) Filed: **Apr. 26, 2013**

(30) **Foreign Application Priority Data**

Apr. 4, 2013 (KR) 30-2013-0017262

(51) **LOC (10) Cl.** **15-99**

(52) **U.S. Cl.**
USPC **D15/145**

(58) **Field of Classification Search**
USPC D15/122, 145, 146; 53/167, 202, 203, 53/266.1, 279, 284.5, 285, 370.7, 370.9, 53/381.1, 426, 558, 563, 565; 100/8, 25, 100/26, 29, 32; 493/184
See application file for complete search history.

(56) **References Cited**

U.S. PATENT DOCUMENTS

D301,238 S *	5/1989	Makihara	D15/146
D339,934 S *	10/1993	Reuter	D6/441
D342,532 S *	12/1993	Deni	D15/146
D350,364 S *	9/1994	Kawashima et al.	D18/50
D436,970 S *	1/2001	Choi	D15/136
D465,690 S *	11/2002	Ancona et al.	D7/329
D484,752 S *	1/2004	Verbeek	D7/609

D536,355 S *	2/2007	Levsen et al.	D15/146
D593,770 S *	6/2009	Marrone	D6/433
D629,822 S *	12/2010	Torre	D15/145
D633,118 S *	2/2011	Beatty et al.	D15/146
D658,694 S *	5/2012	Day et al.	D15/146
D663,331 S *	7/2012	Day et al.	D15/146
D682,329 S *	5/2013	Day et al.	D15/146
D686,649 S *	7/2013	Zhou et al.	D15/146
D687,079 S *	7/2013	Mueller et al.	D15/146
2005/0022480 A1 *	2/2005	Brakes	53/512
2005/0050855 A1 *	3/2005	Baptista	53/434
2007/0193230 A1 *	8/2007	Bapista	53/510

* cited by examiner

Primary Examiner — Patricia Palasik

(74) *Attorney, Agent, or Firm* — Volpe and Koenig, P.C.

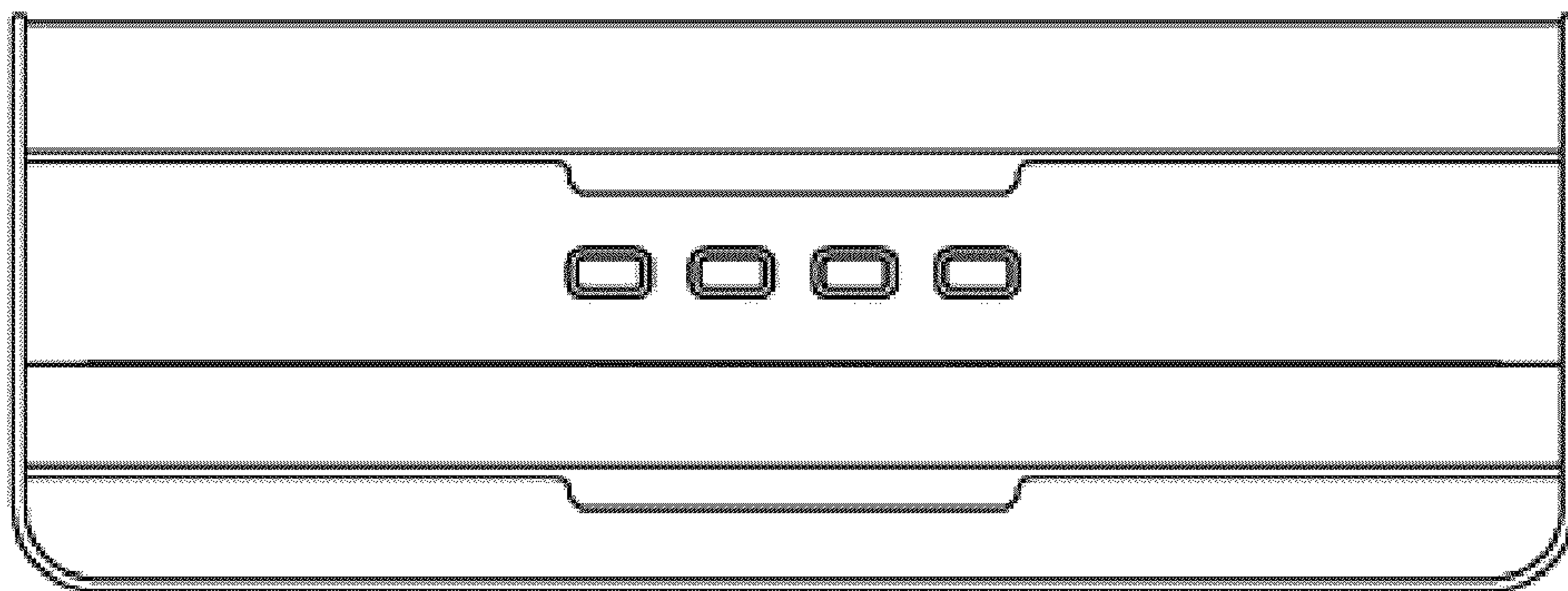
(57) **CLAIM**

The ornamental design for packaging machine for food container, as shown and described.

DESCRIPTION

FIG. 1 is a front elevation view of the packaging machine for food container of our design;
 FIG. 2 is a rear elevation view of the packaging machine for food container of FIG. 1;
 FIG. 3 is a left side elevation view of the packaging machine for food container of FIG. 1;
 FIG. 4 is a right side elevation view of the packaging machine for food container of FIG. 1;
 FIG. 5 is a top plan view of the packaging machine for food container of FIG. 1;
 FIG. 6 is a bottom plan view of the packaging machine for food container of FIG. 1; and,
 FIG. 7 is a perspective view of the packaging machine for food container of FIG. 1.

1 Claim, 7 Drawing Sheets



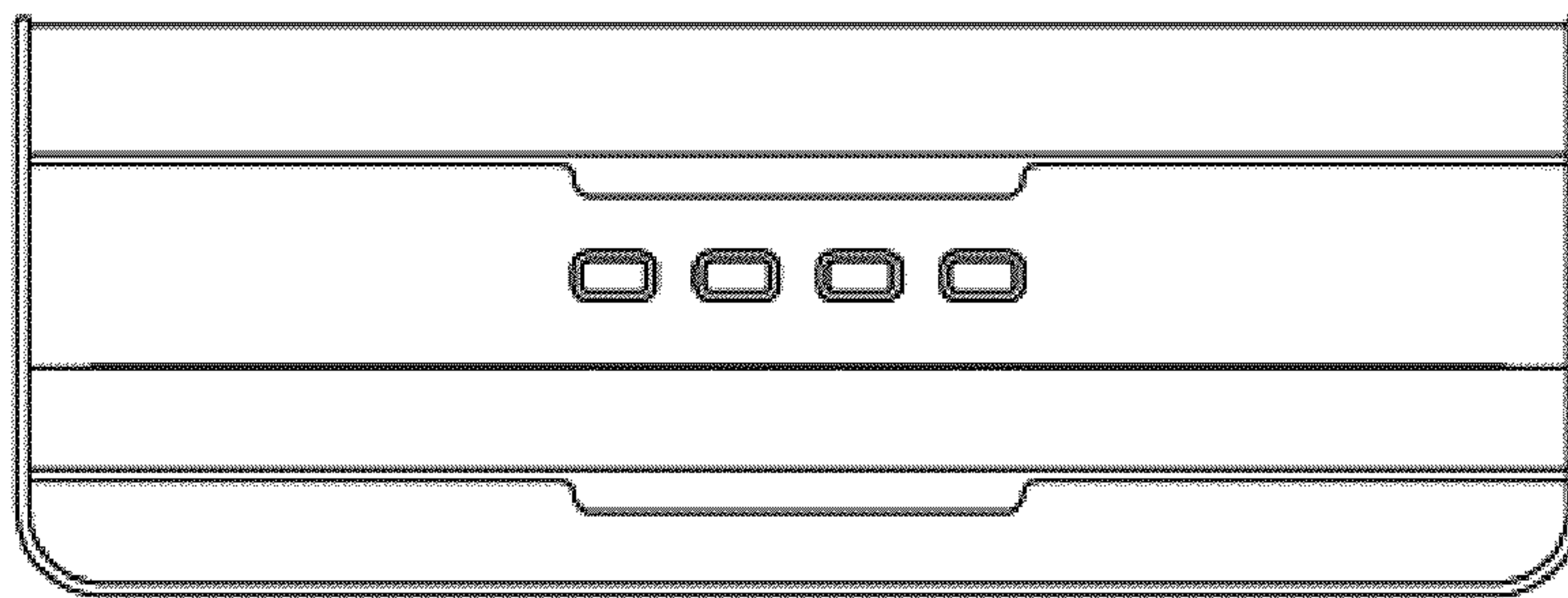


FIG. 1

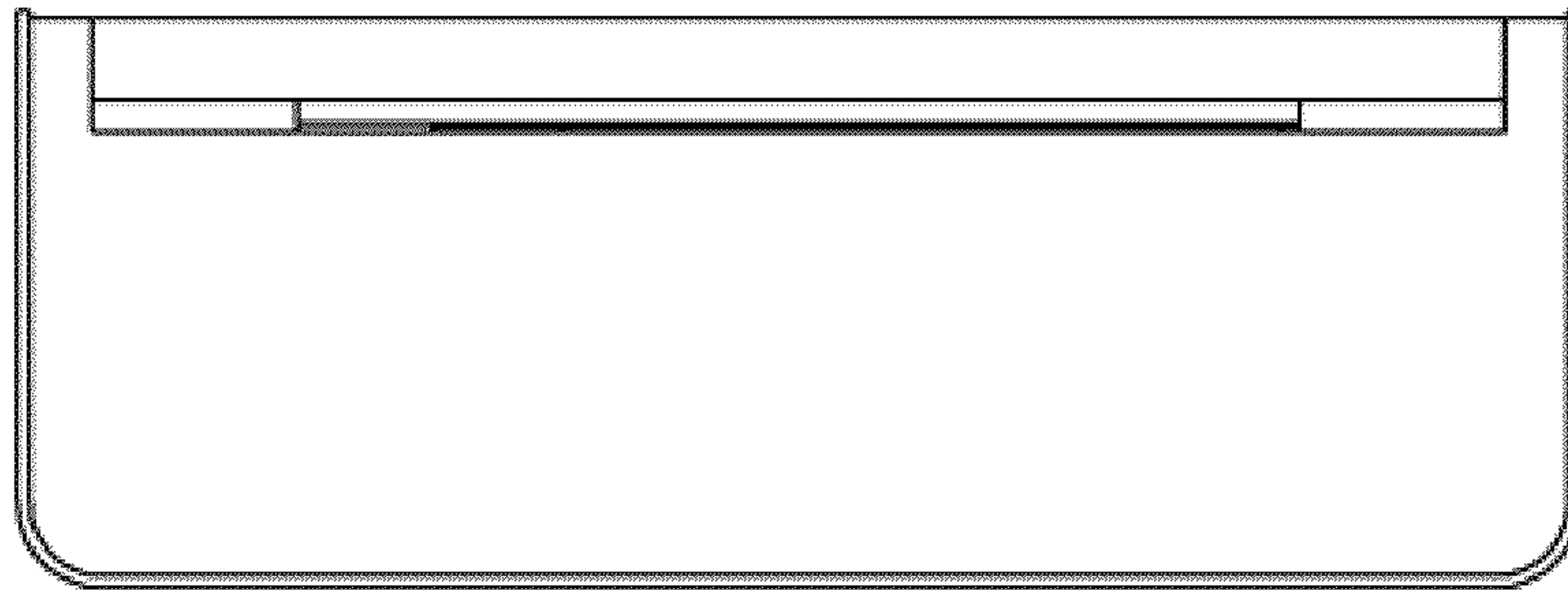


FIG. 2

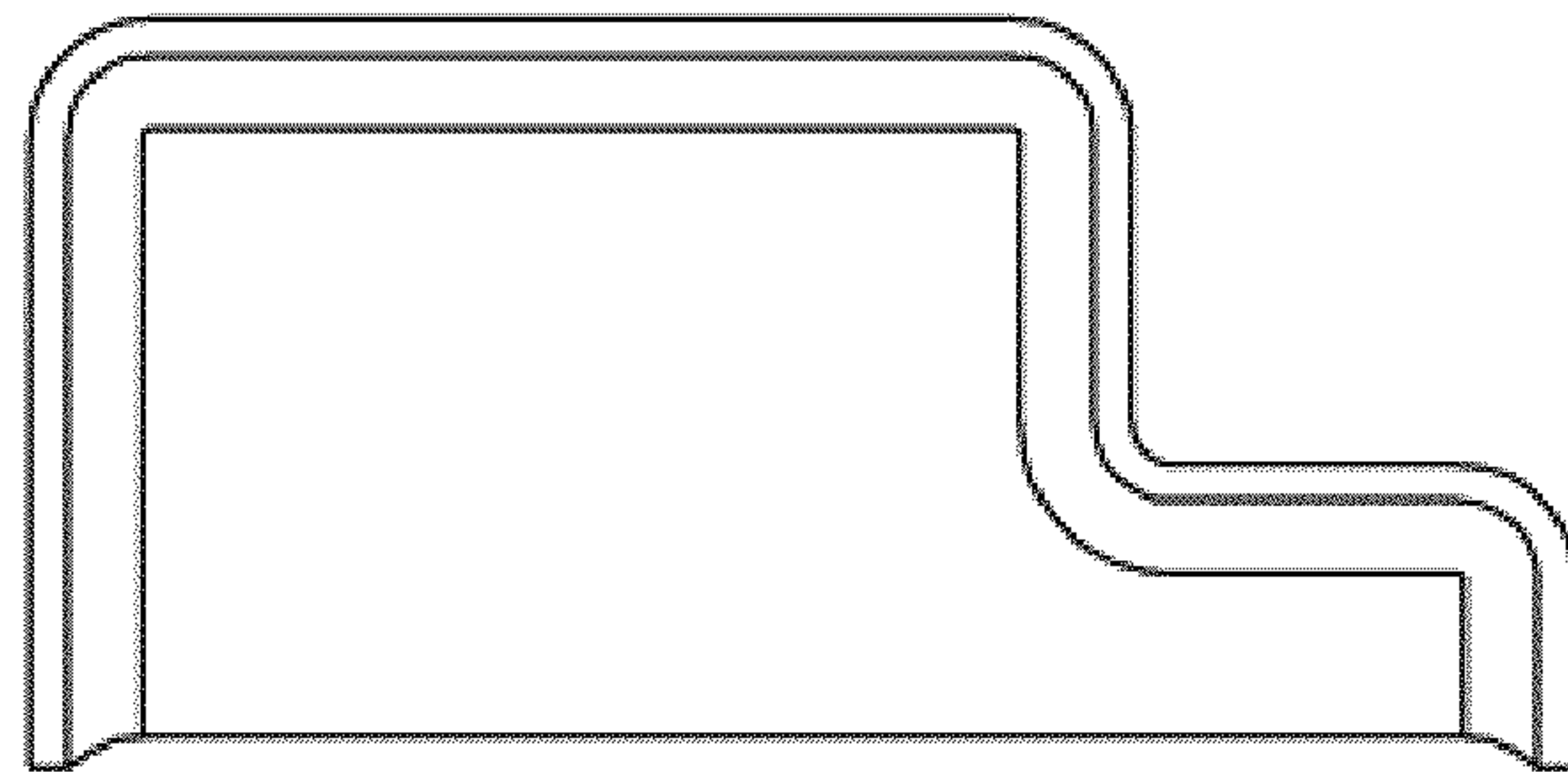


FIG. 3

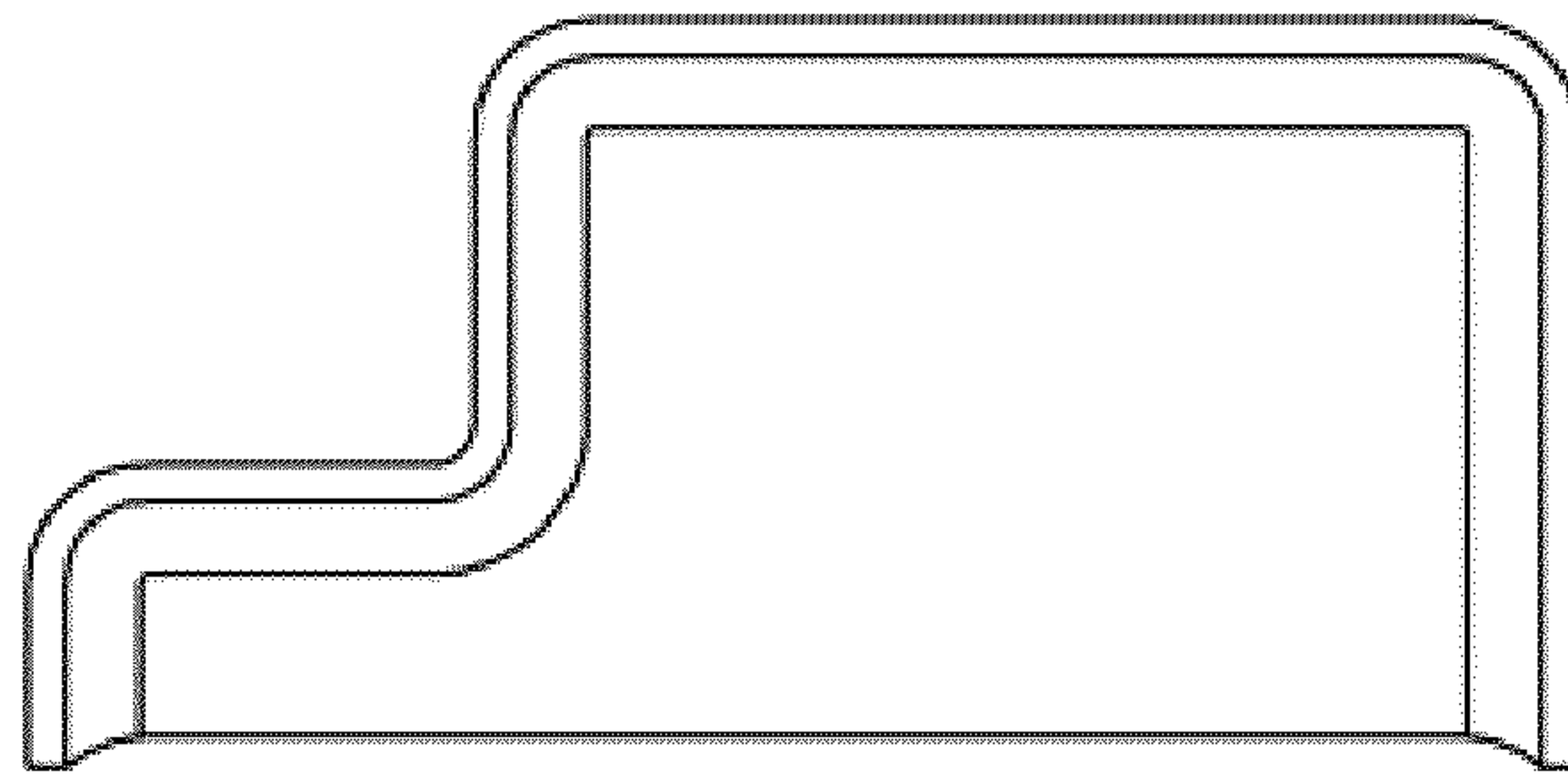


FIG. 4

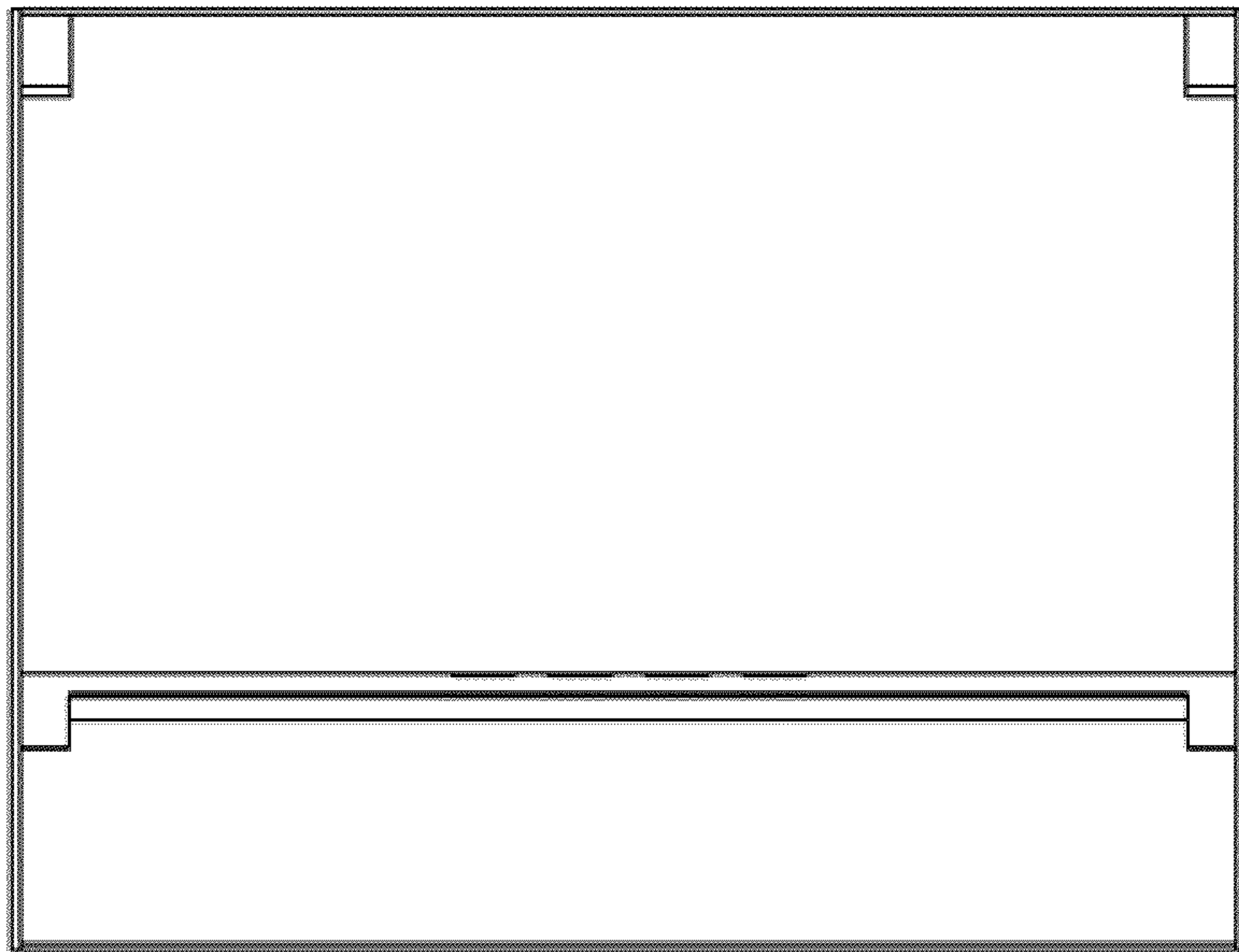


FIG. 5

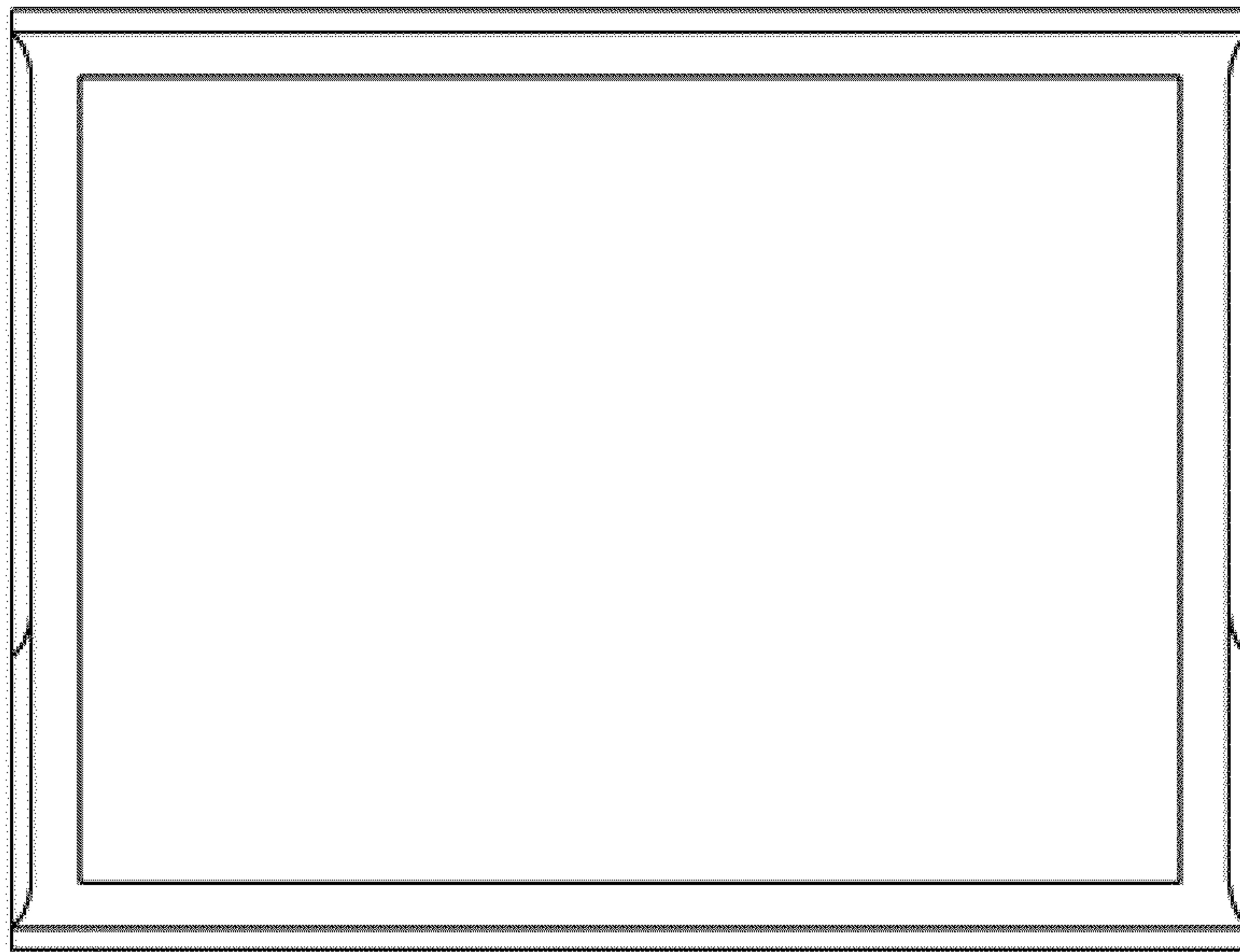


FIG. 6

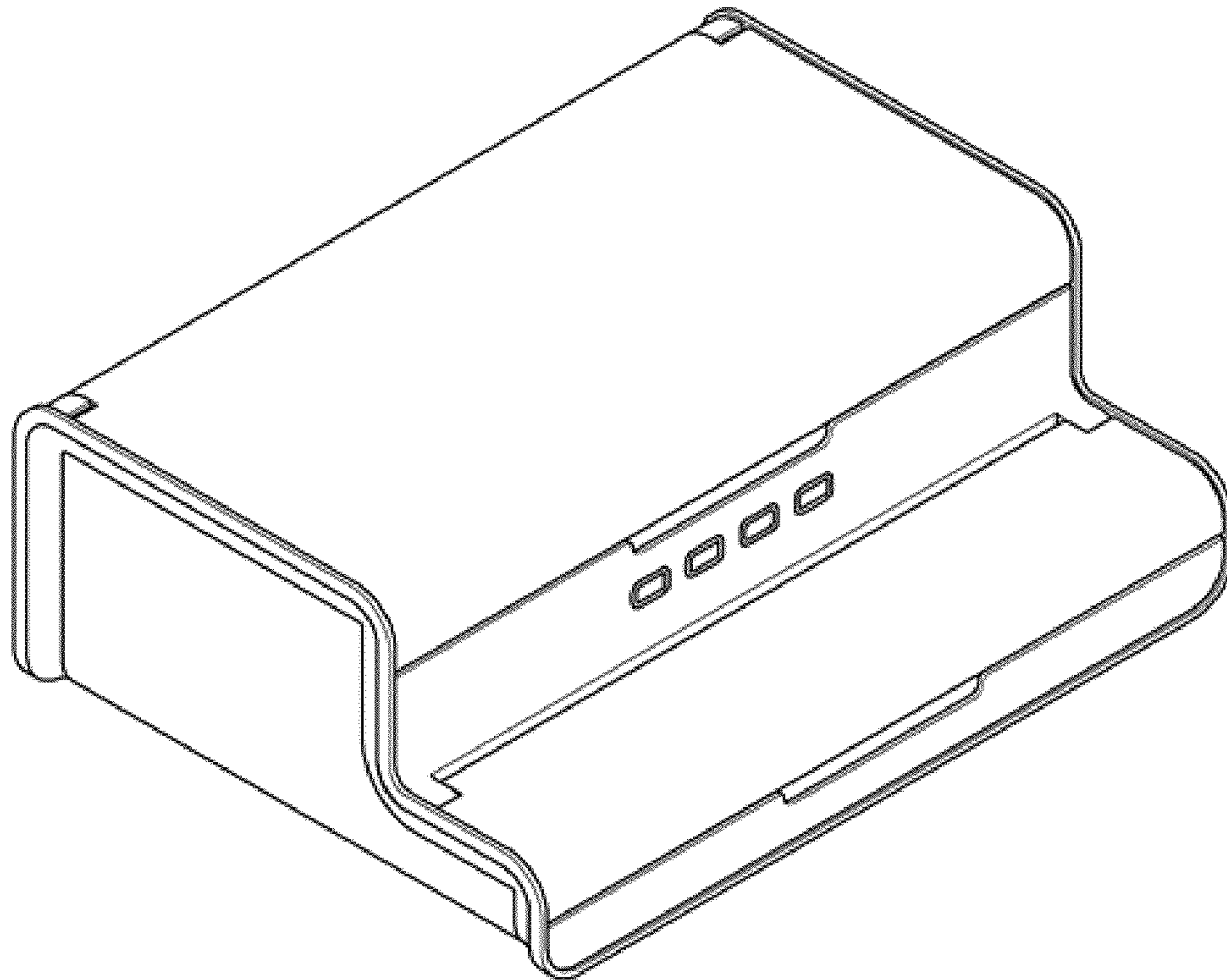


FIG. 7