



US00D698834S

(12) **United States Design Patent**
Stolz et al.

(10) **Patent No.:** **US D698,834 S**
(45) **Date of Patent:** **** Feb. 4, 2014**

(54) **CONNECTOR**

(71) Applicants: **Gerhard Stolz**, Ingersheim (DE); **Benno Spors**, Marbach (DE); **Wolfgang Bierl**, Gueglingen (DE); **Waldemar Dubs**, Ludwigsburg (DE)

(72) Inventors: **Gerhard Stolz**, Ingersheim (DE); **Benno Spors**, Marbach (DE); **Wolfgang Bierl**, Gueglingen (DE); **Waldemar Dubs**, Ludwigsburg (DE)

(73) Assignee: **Komet Group GmbH**, Besigheim (DE)

(**) Term: **14 Years**

(21) Appl. No.: **29/440,781**

(22) Filed: **Dec. 27, 2012**

Related U.S. Application Data

(62) Division of application No. 29/373,102, filed on Feb. 28, 2011, now Pat. No. Des. 678,923.

(30) **Foreign Application Priority Data**

Aug. 27, 2010 (EP) 001747833-0001
Aug. 27, 2010 (EP) 001747833-0002

(51) **LOC (10) Cl.** **15-09**

(52) **U.S. Cl.**
USPC **D15/138**

(58) **Field of Classification Search**
USPC D8/382; D15/138, 139, 140; D23/259, D23/262; 251/149.1, 150; 279/83; 285/253, 285/257, 275, 277, 305, 353, 377, 381; 403/202, 378, 379.1, 355, 361, 362, 403/379.3, 379.4, 379.5, 374.1, 374.3, 403/408.1; 408/238; 409/232, 234
See application file for complete search history.

(56) **References Cited**

U.S. PATENT DOCUMENTS

D376,415	S	*	12/1996	Shemtov	D23/262
D522,109	S	*	5/2006	White et al.	D23/262
7,037,026	B2	*	5/2006	Ostling et al.	403/371
D567,339	S	*	4/2008	Tiberghien	D23/262
D567,340	S	*	4/2008	Tiberghien	D23/262
D583,915	S	*	12/2008	Tiberghien	D23/263
D615,932	S	*	5/2010	Nania et al.	D13/147
D621,915	S	*	8/2010	Fima	D23/261
D638,451	S	*	5/2011	Wong	D15/138
7,954,225	B2	*	6/2011	Webb	29/525.01
D665,867	S	*	8/2012	McPherson	D22/107
2002/0176738	A1	*	11/2002	Kluting	403/292
2008/0042116	A1	*	2/2008	Buckley	256/65.01
2008/0168633	A1	*	7/2008	Kim et al.	24/572.1
2008/0240883	A1	*	10/2008	Walling	411/178
2009/0067921	A1	*	3/2009	Ito et al.	403/408.1
2009/0175690	A1	*	7/2009	Gallagher	405/224
2010/0054855	A1	*	3/2010	Young	403/355
2010/0196120	A1	*	8/2010	Davies et al.	411/378
2011/0200386	A1	*	8/2011	Kimman et al.	403/373
2012/0063861	A1	*	3/2012	Wretland et al.	408/238

* cited by examiner

Primary Examiner — Patricia Palasik

(74) *Attorney, Agent, or Firm* — Flynn, Thiel, Boutell & Tanis, P.C.

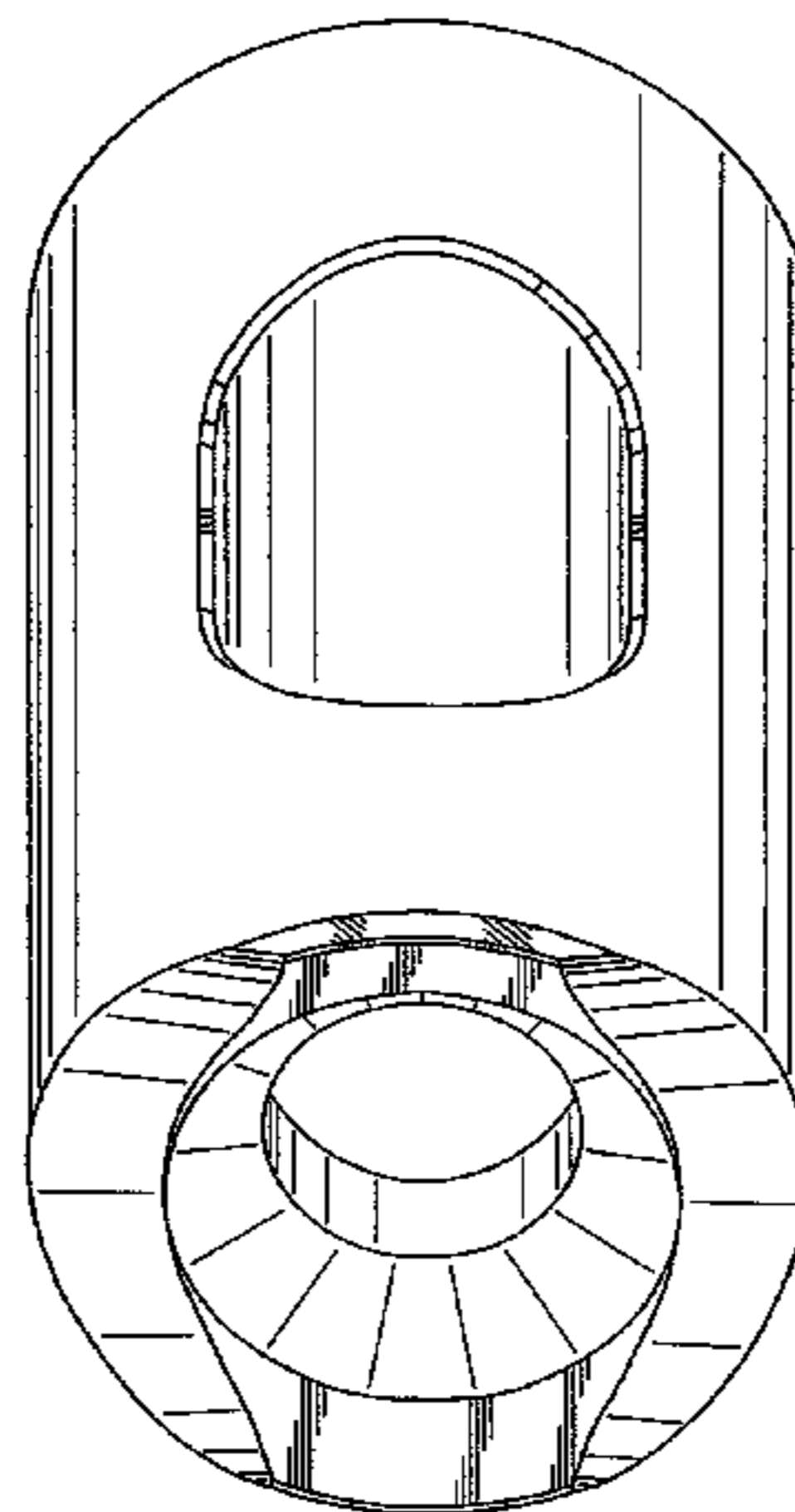
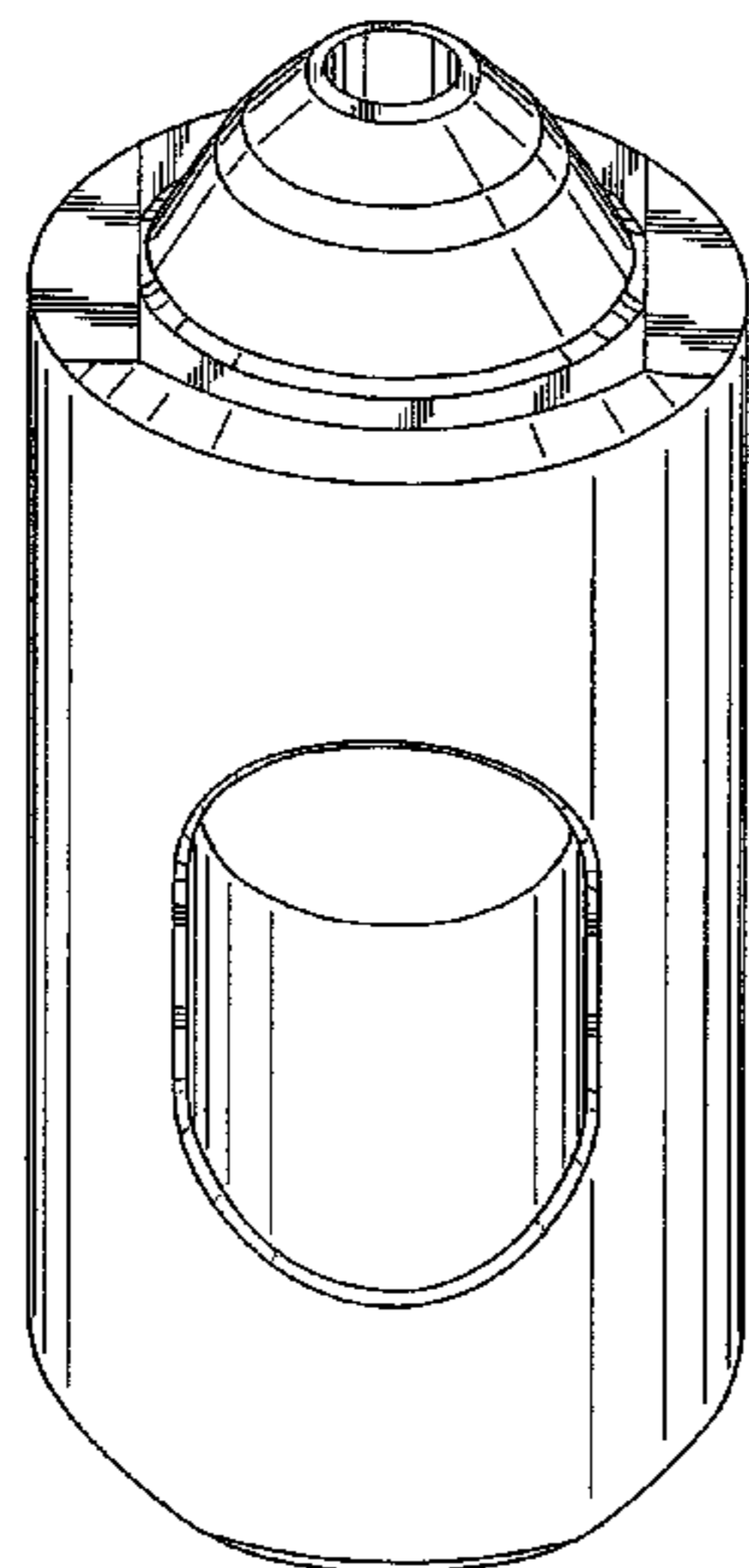
(57) **CLAIM**

The ornamental design for a connector, as shown and described.

DESCRIPTION

FIG. 1 is a top front perspective view of a connector showing our new design;
FIG. 2 is a bottom front perspective view thereof;
FIG. 3 is a front elevational view thereof, the rear elevational view being a mirror image to the front elevational view;
FIG. 4 is a left side elevational view thereof, the right side elevational view being a mirror image to the left side elevational view;
FIG. 5 is a top plan view thereof; and,
FIG. 6 is a bottom plan view thereof.

1 Claim, 5 Drawing Sheets



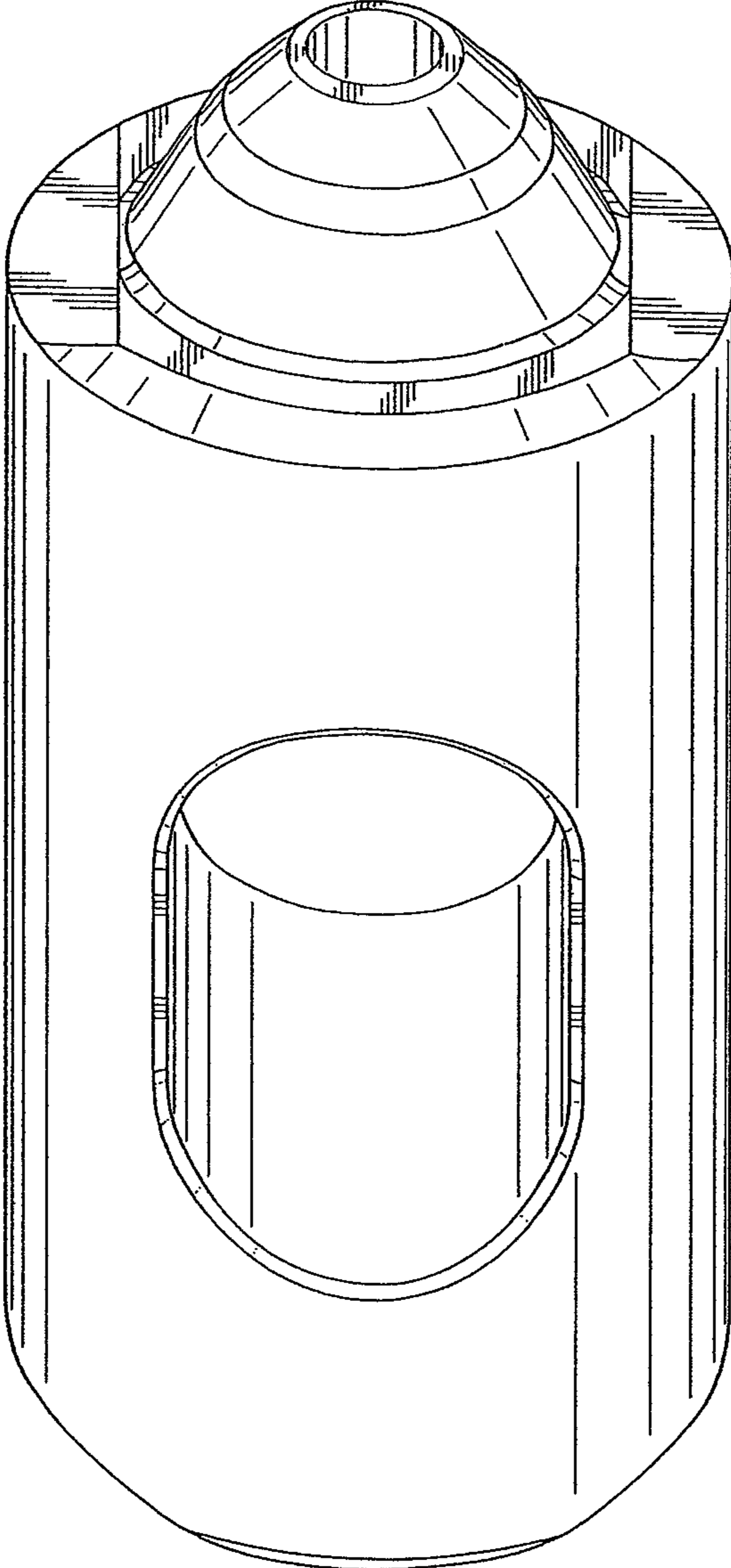


FIG. 1

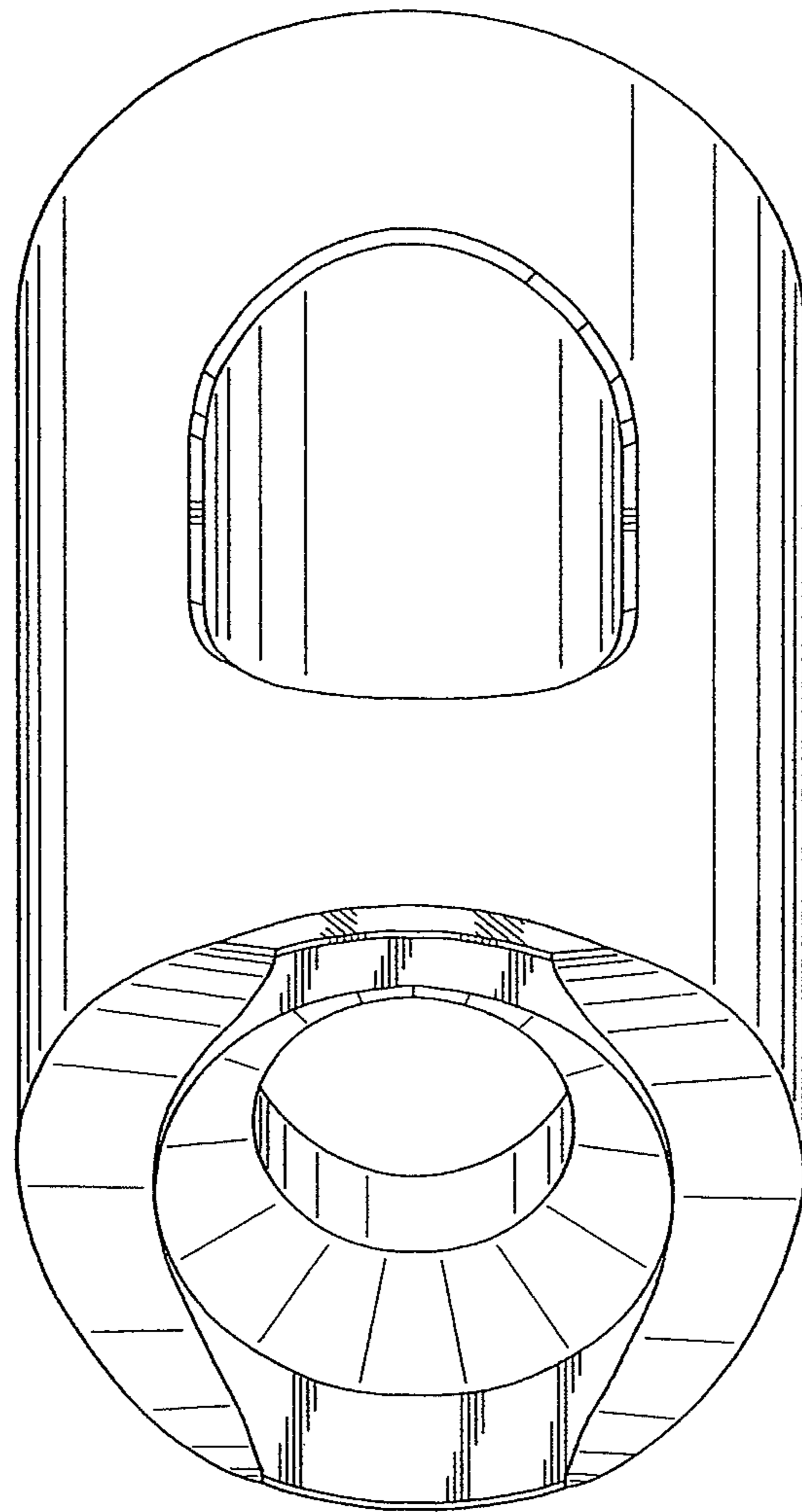


FIG. 2

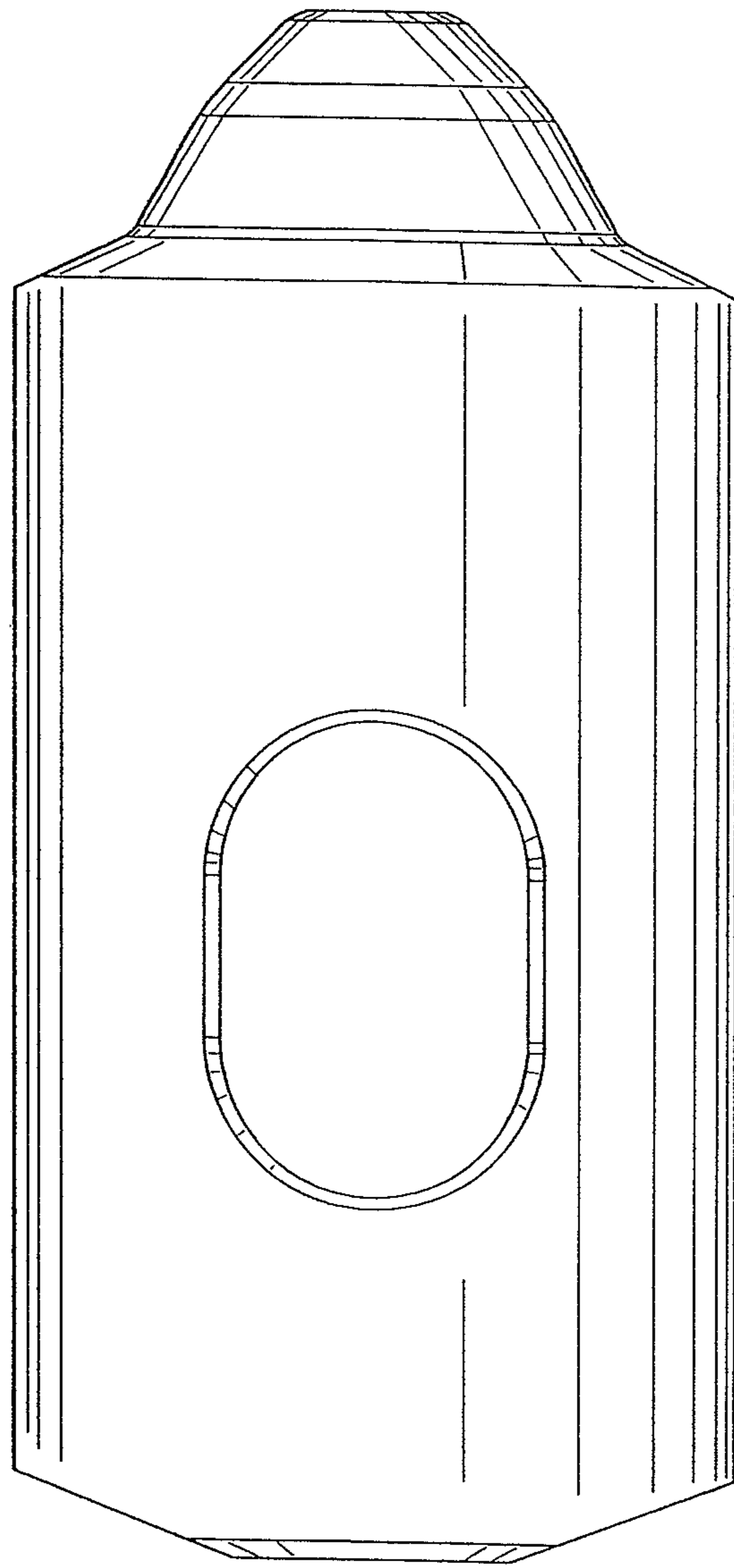


FIG. 3

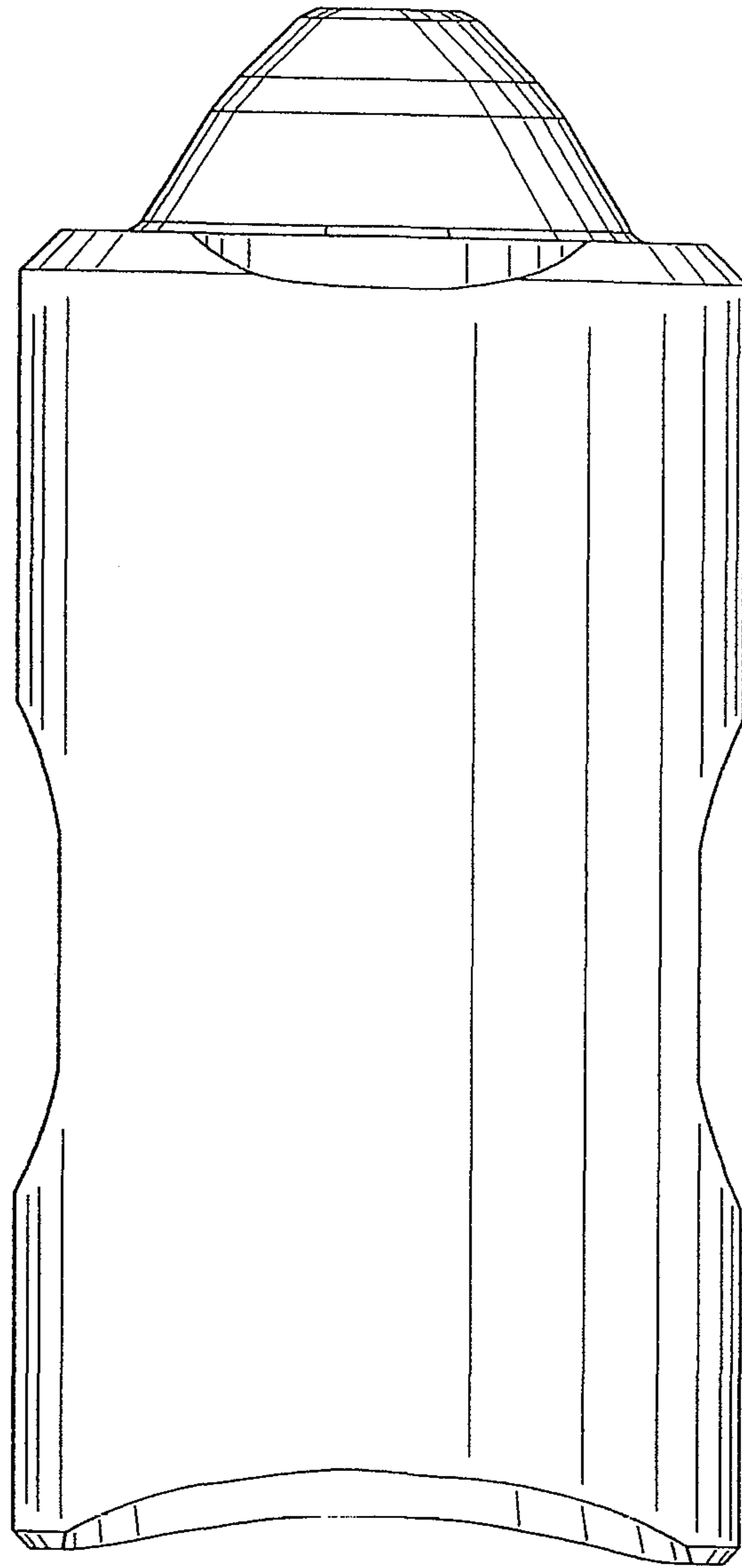


FIG. 4

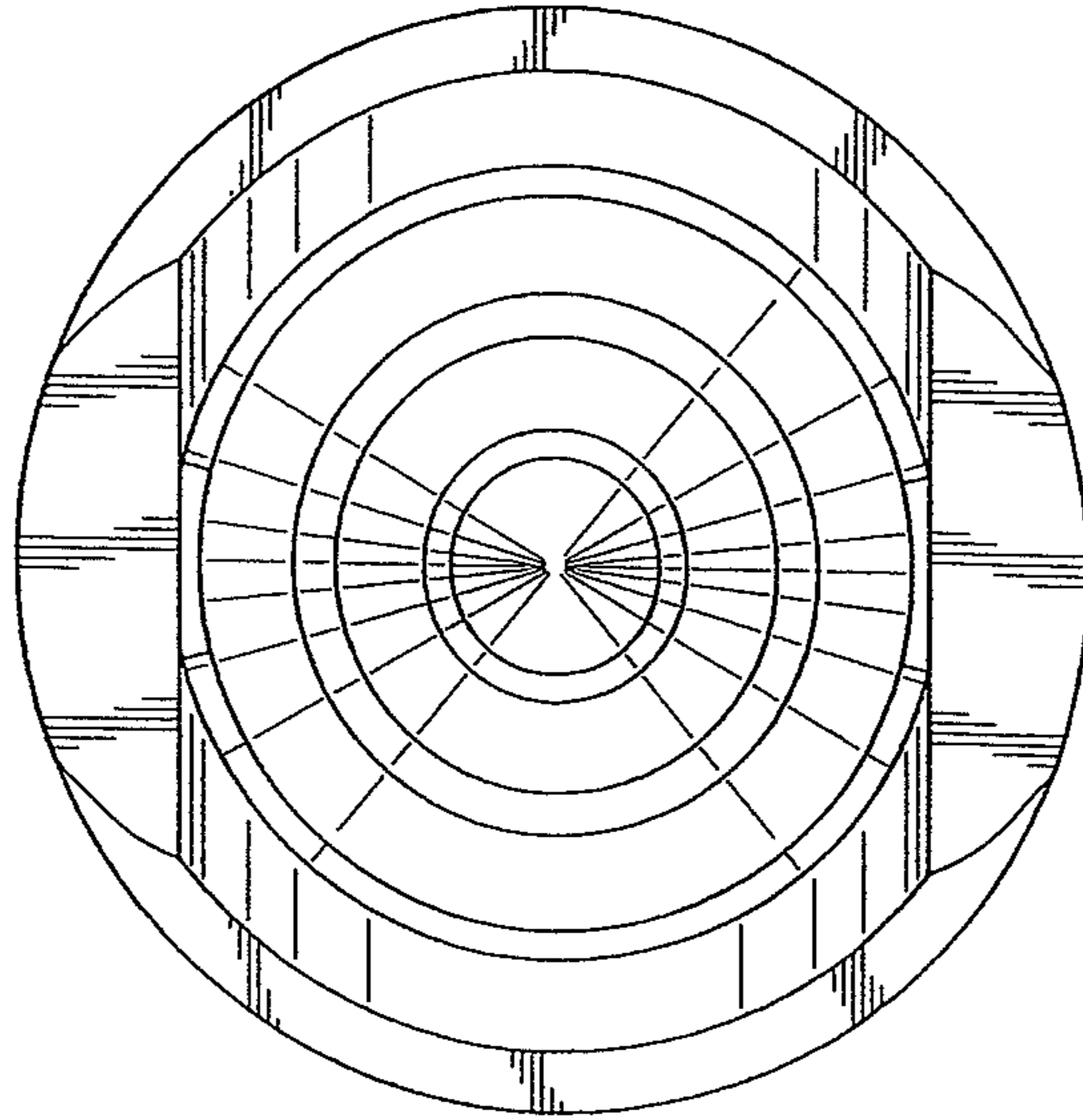


FIG. 5

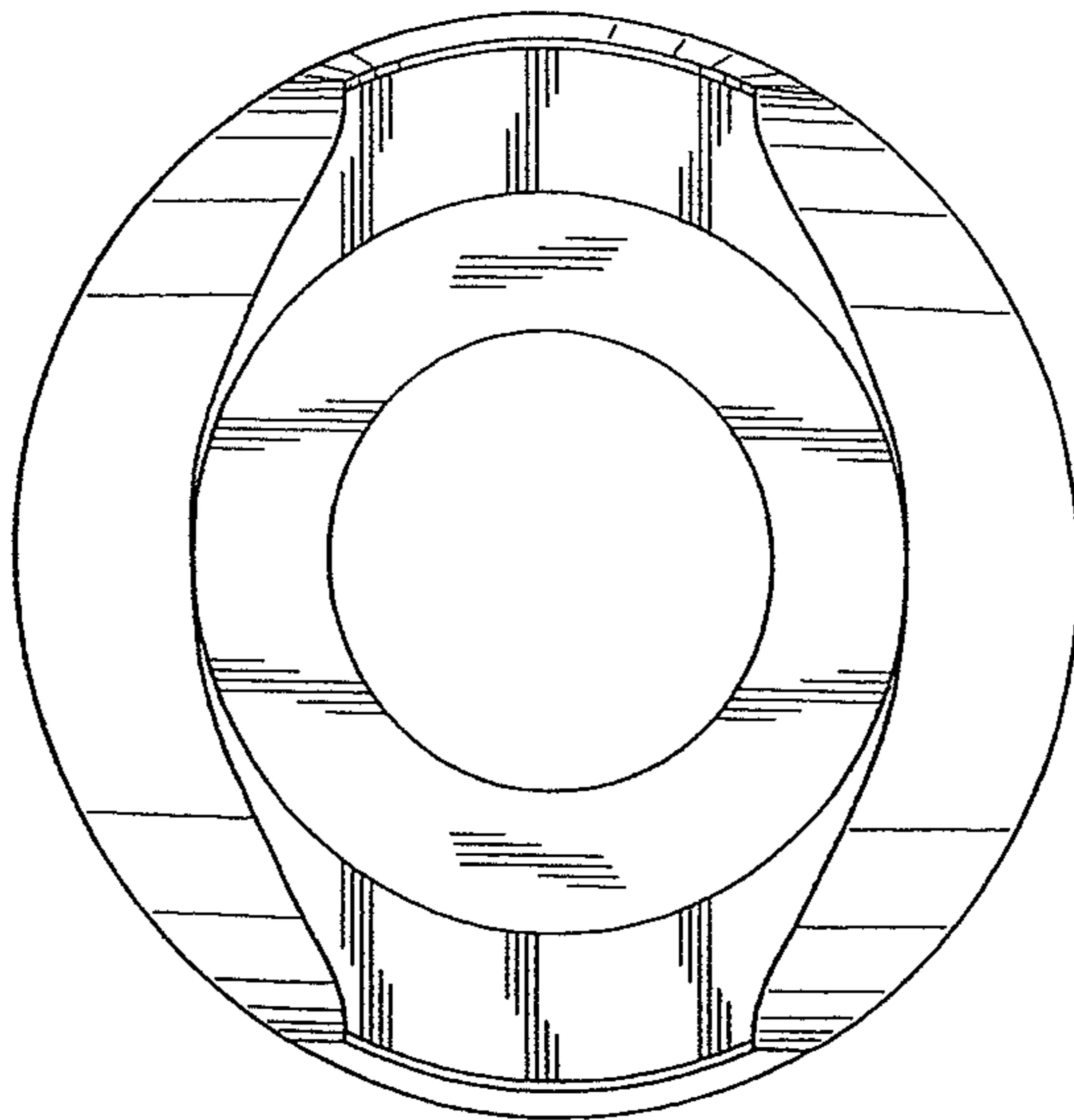


FIG. 6