



US00D698832S

(12) **United States Design Patent**
Lee et al.

(10) **Patent No.:** **US D698,832 S**
(45) **Date of Patent:** **** Feb. 4, 2014**

(54) **REFRIGERATOR**

(71) Applicant: **Samsung Electronics Co., Ltd.**,
Gyeonggi-do (KR)
(72) Inventors: **Hyun-II Lee**, Seoul (KR); **Yunho Yang**,
Yongin-si (KR); **Seyoun Park**,
Incheon-si (KR); **Jang-Won Kim**, Seoul
(KR)
(73) Assignee: **Samsung Electronics Co., Ltd.**,
Suwon-Si (KR)

(**) Term: **14 Years**
(21) Appl. No.: **29/441,633**
(22) Filed: **Jan. 8, 2013**

(30) **Foreign Application Priority Data**
Aug. 28, 2012 (KR) 30-2012-0041313
(51) **LOC (10) Cl.** **15-07**
(52) **U.S. Cl.**
USPC **D15/89**
(58) **Field of Classification Search**
USPC D15/79-89, 91; 62/246, 337, 339,
62/440-449; 312/114-119, 138.1, 139.2,
312/236, 401-408
See application file for complete search history.

(56) **References Cited**

U.S. PATENT DOCUMENTS

D430,174	S	*	8/2000	Negrao et al.	D15/89
D495,722	S	*	9/2004	Avalos Barcenas et al. ...	D15/91
D500,058	S	*	12/2004	Tunzi	D15/91
D502,950	S	*	3/2005	Moraes De Sa Cavalcanti et al.	D15/89
D507,284	S	*	7/2005	Seo	D15/85
D538,310	S	*	3/2007	Avalos Barcenas et al. ...	D15/91
D677,287	S	*	3/2013	Ding et al.	D15/85
D677,288	S	*	3/2013	Ma et al.	D15/85

* cited by examiner

Primary Examiner — Mitchell Siegel
(74) *Attorney, Agent, or Firm* — Ladas & Parry LLP

(57) **CLAIM**

We claim the ornamental design for a refrigerator, as shown.

DESCRIPTION

FIG. 1 is a front/right-side/top perspective view of a refrigerator showing our new design;
FIG. 2 is a front-side elevational view thereof;
FIG. 3 is a rear-side elevational view thereof;
FIG. 4 is a left-side elevational view thereof;
FIG. 5 is a right-side elevational view thereof;
FIG. 6 is a top-side elevational view thereof;
FIG. 7 is a bottom-side elevational view thereof; and,
FIG. 8 is an enlarged perspective view.

1 Claim, 7 Drawing Sheets

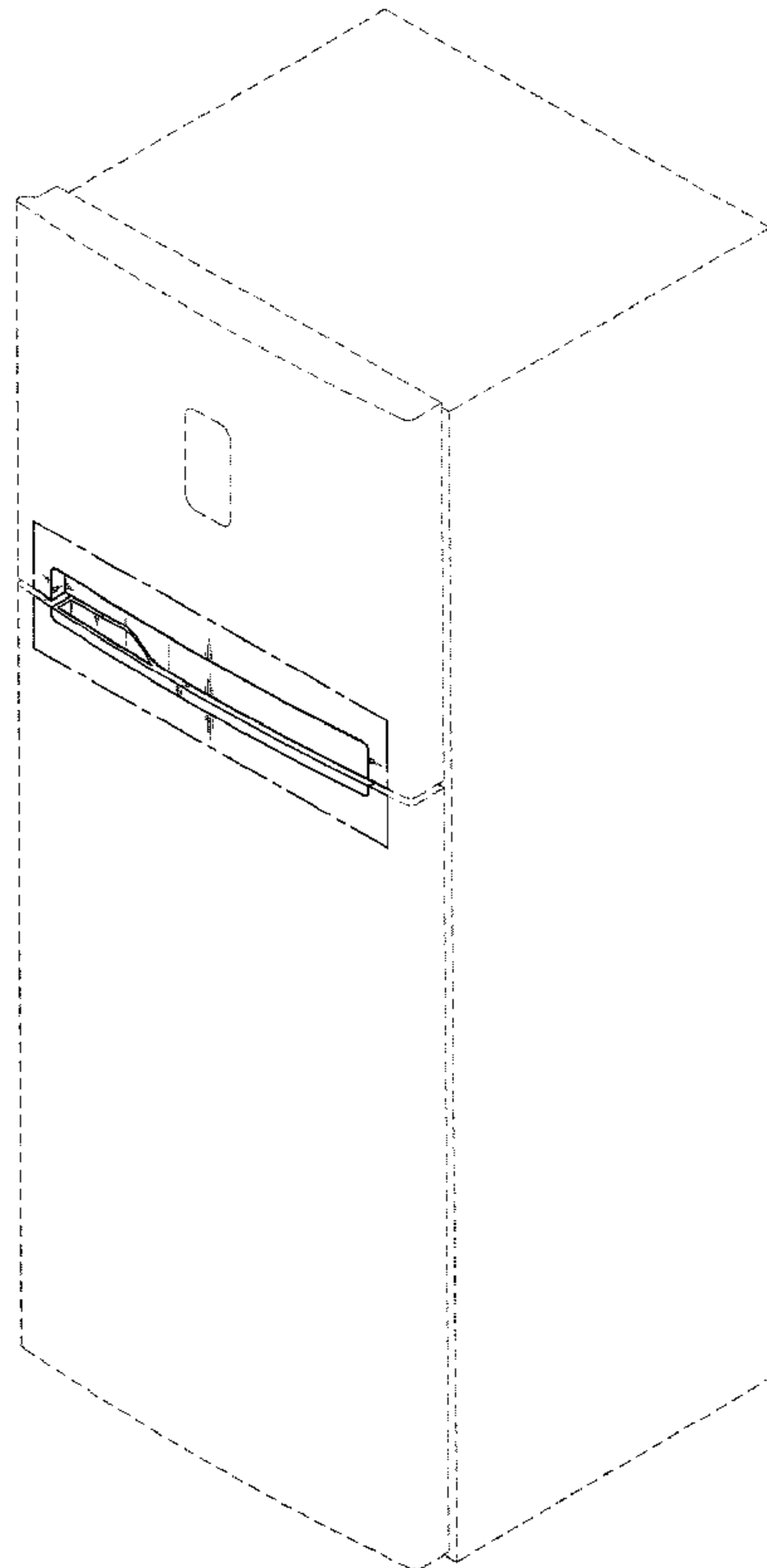


Fig. 1

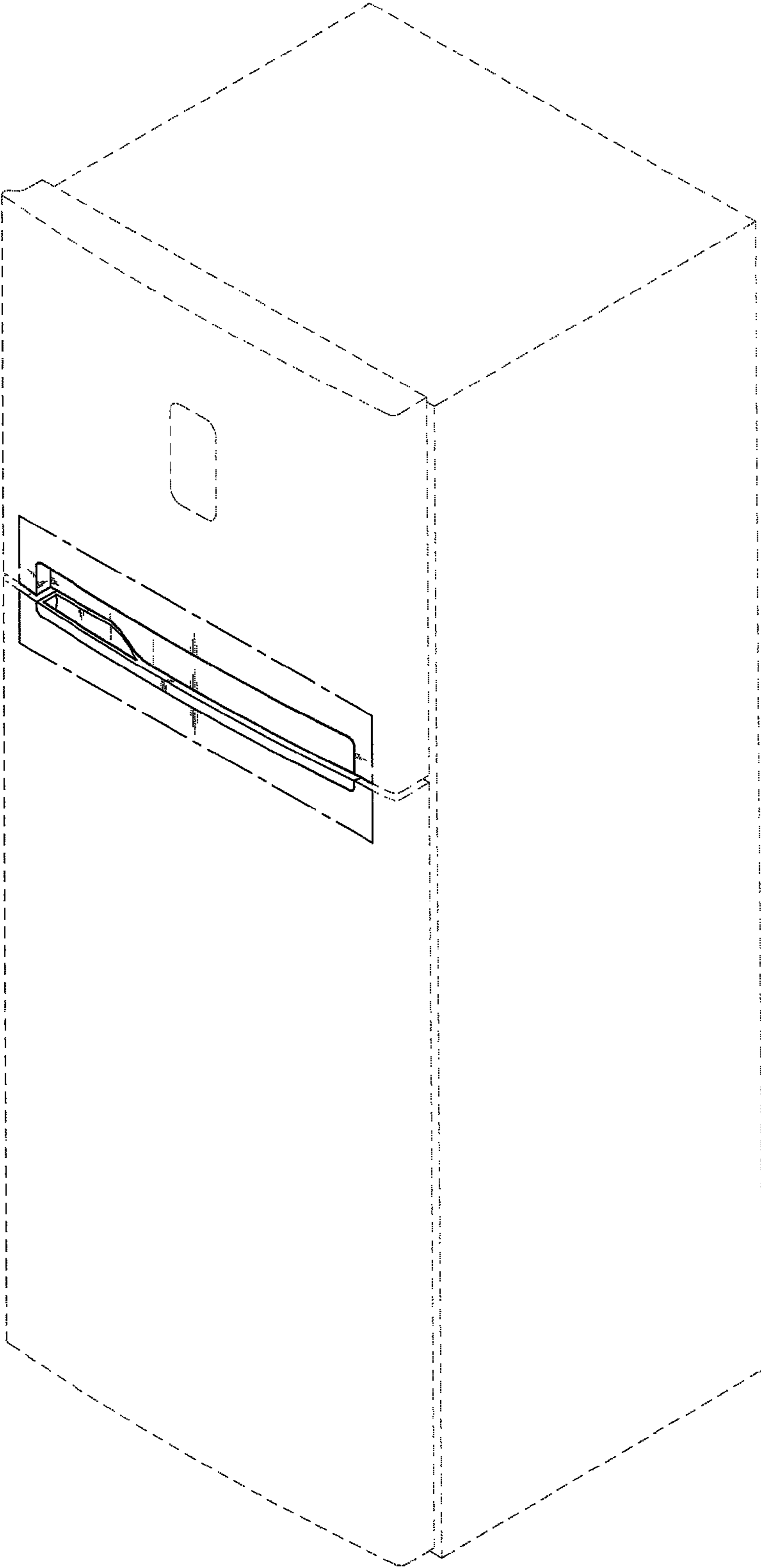


Fig. 2

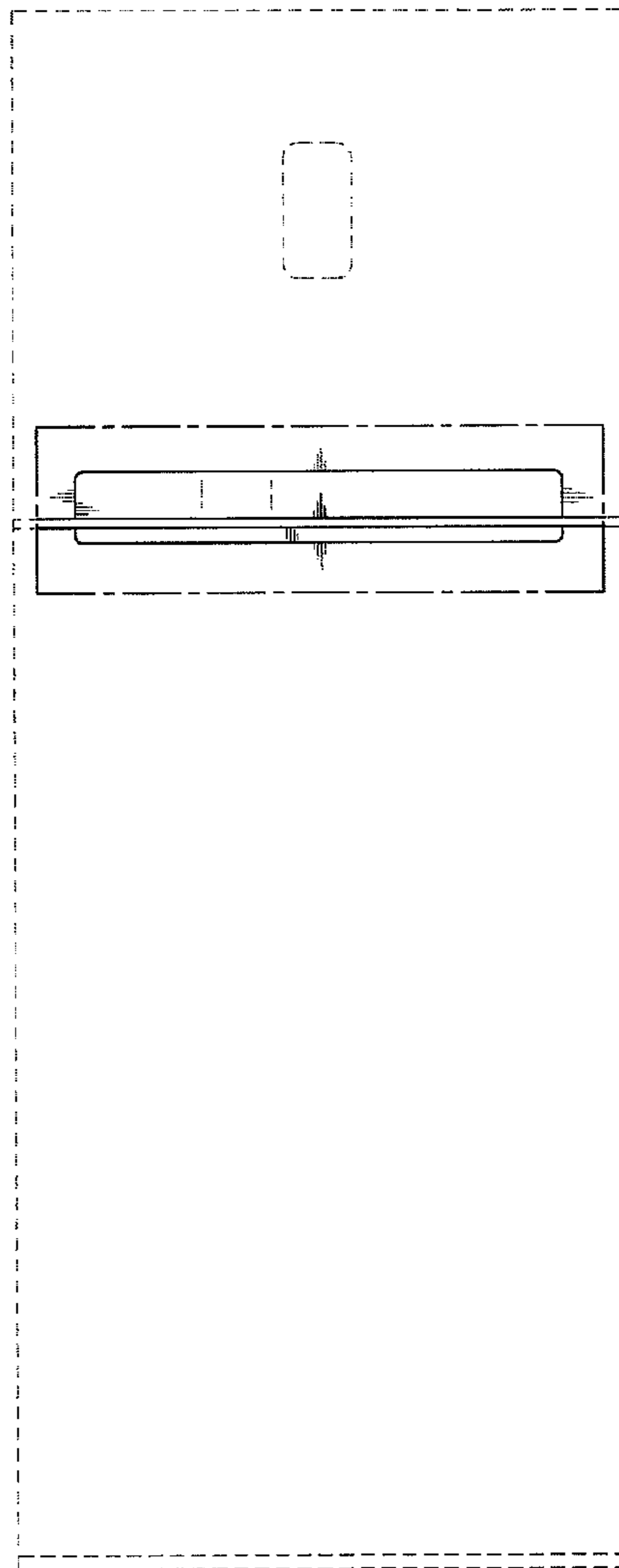


Fig. 3

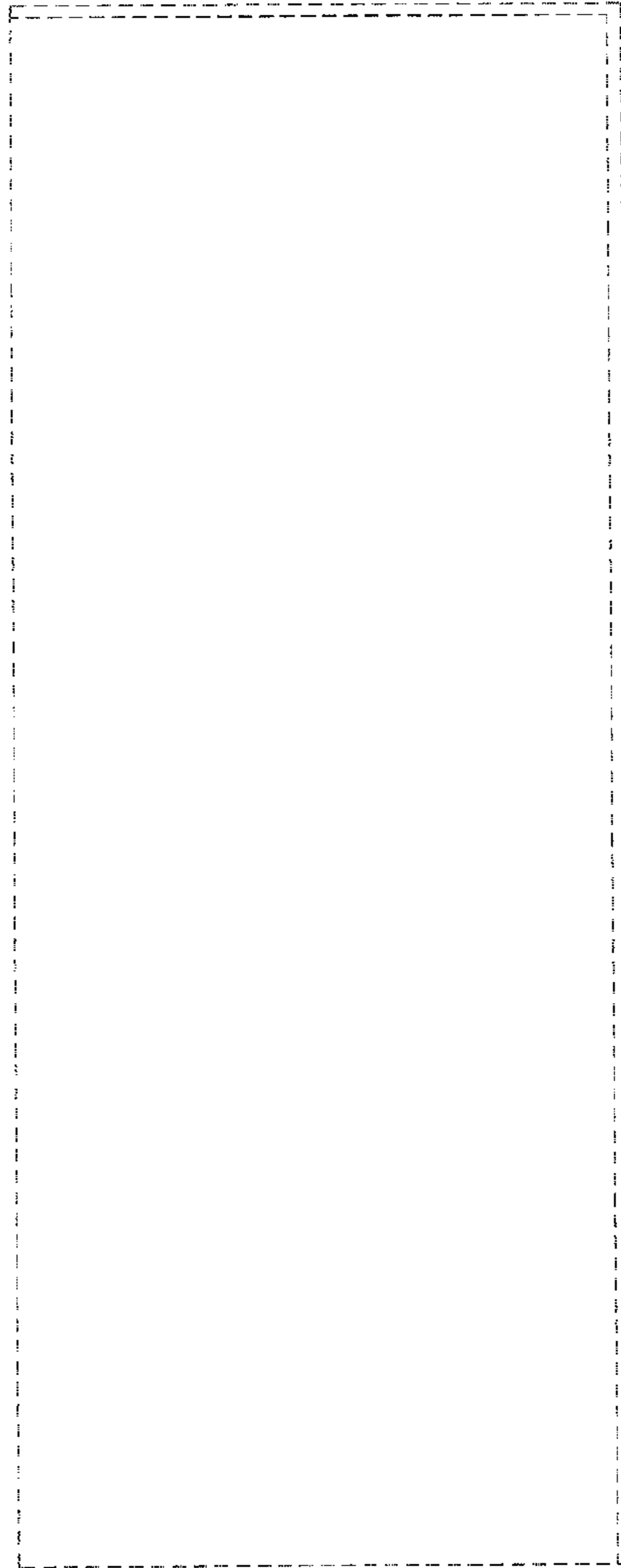


Fig. 4

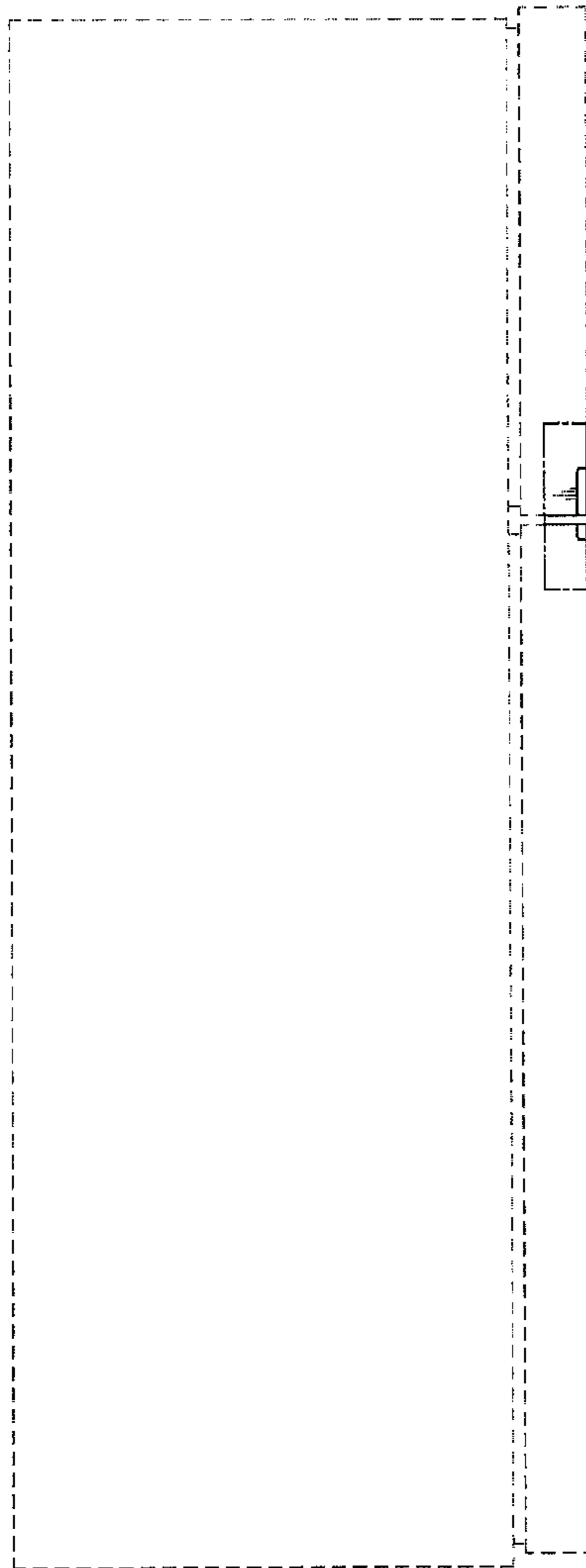


Fig. 5

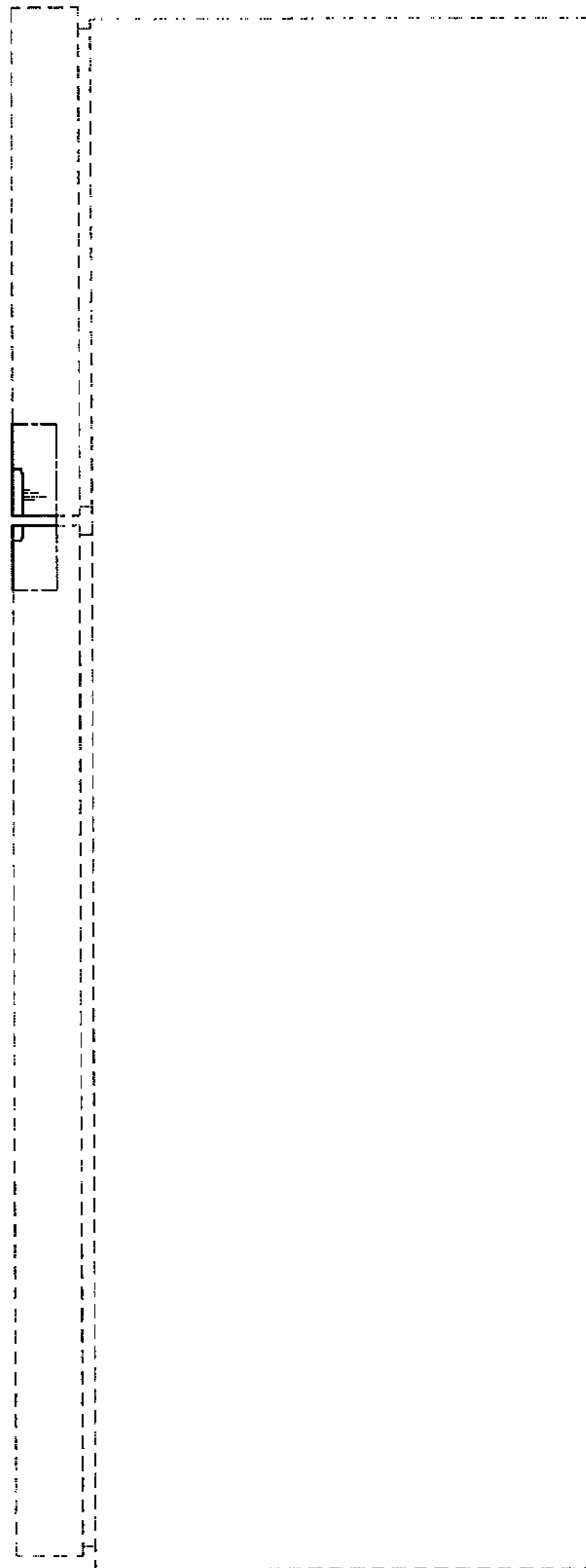


Fig. 6

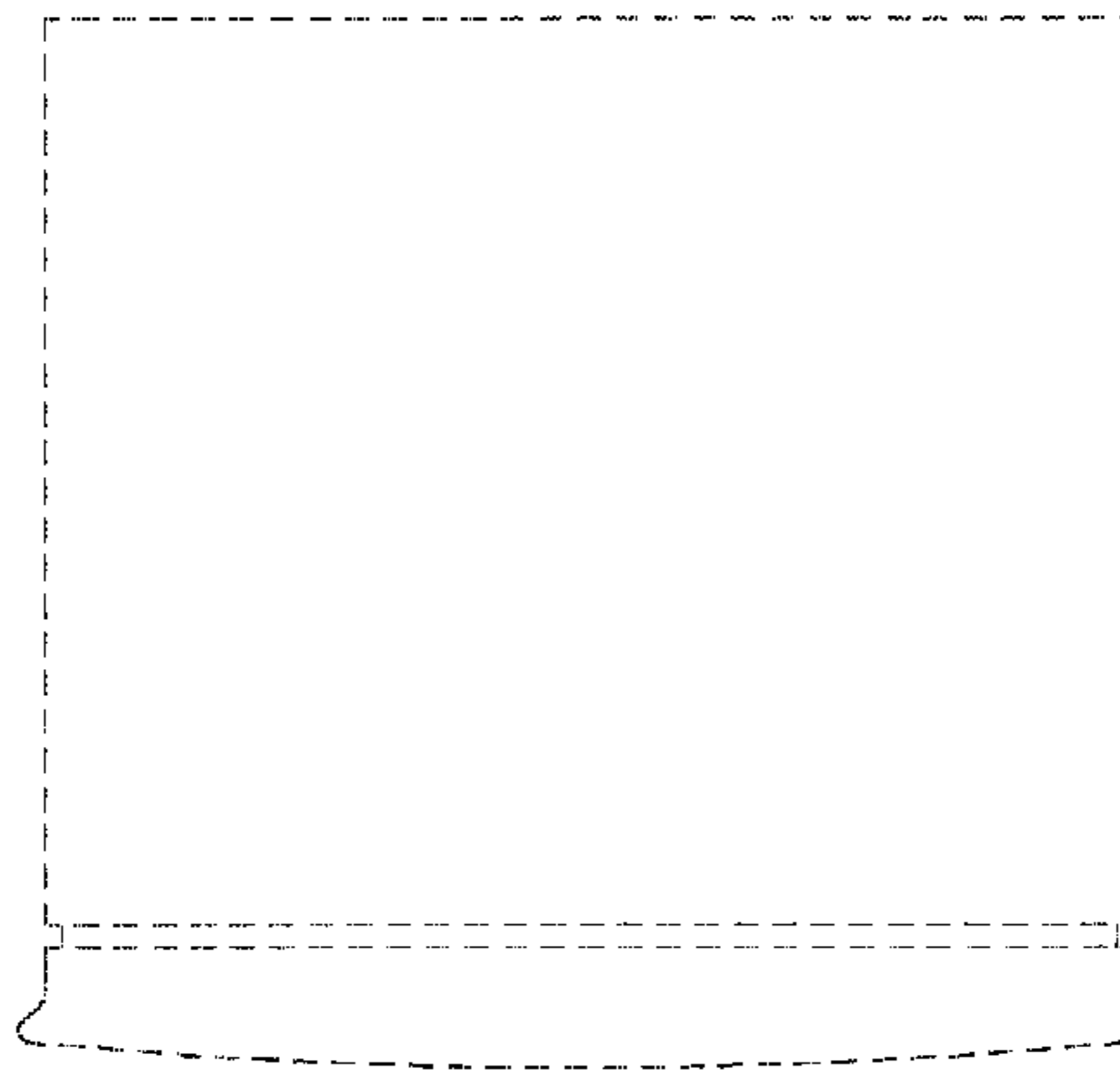


Fig. 7

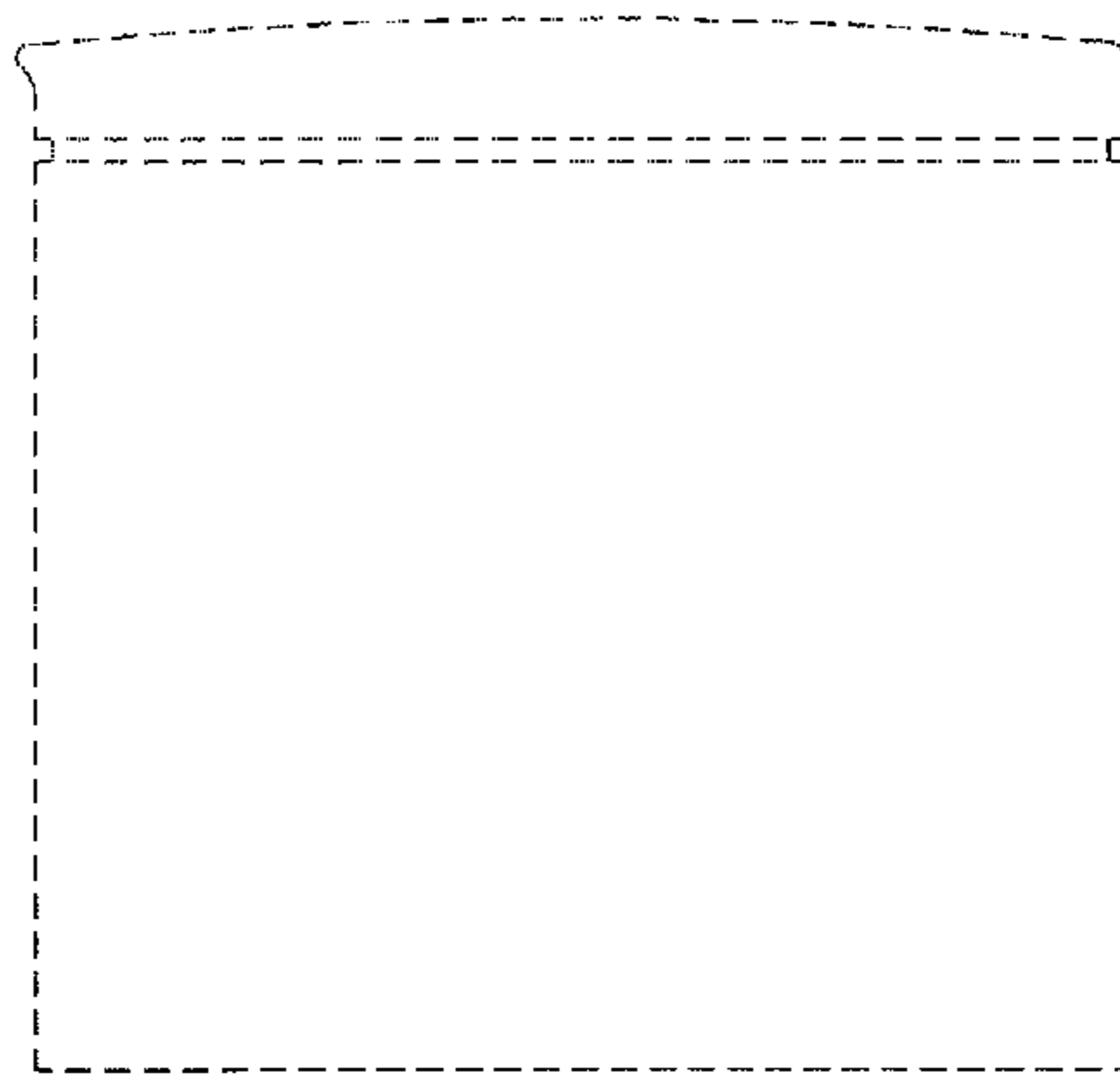


Fig. 8

