

US00D698831S

(12) **United States Design Patent**  
**Adamson et al.**

(10) **Patent No.:** **US D698,831 S**  
(45) **Date of Patent:** **\*\* Feb. 4, 2014**

- (54) **COMBINED TRACTOR WINDOWS AND INTAKE AND EXHAUST**
- (71) Applicants: **CNH America LLC**, Racine, WI (US);  
**Richard Hagele**, The Villages, FL (US)
- (72) Inventors: **William Henry Adamson**, Naperville, IL (US); **Thomas Michael Chlystek**, Darien, IL (US); **Carl Hagele**, The Villages, FL (US); **Jay M. Larson**, Fargo, ND (US); **Aaron Richard**, Berwyn, IL (US); **Russell V Stoltman**, Argusville, ND (US)
- (73) Assignee: **CNH America LLC**, New Holland, PA (US)
- (\*\*) Term: **14 Years**
- (21) Appl. No.: **29/434,028**
- (22) Filed: **Oct. 9, 2012**
- (51) **LOC (10) Cl.** ..... **15-03**
- (52) **U.S. Cl.**  
USPC ..... **D15/28**
- (58) **Field of Classification Search**  
USPC ..... D15/10, 14-17, 22-26, 28; 56/13.4,  
56/13.3, 15.8, 15.9, 16.1, 16.7, 175, 202;  
180/89.1, 89.12, 900  
See application file for complete search history.

- (56) **References Cited**  
U.S. PATENT DOCUMENTS
- |           |     |         |                    |         |
|-----------|-----|---------|--------------------|---------|
| 1,843,091 | A * | 1/1932  | Bull               | 55/398  |
| 4,248,613 | A * | 2/1981  | Linhart            | 55/394  |
| 5,022,903 | A * | 6/1991  | Decker             | 55/404  |
| 5,152,364 | A * | 10/1992 | Woods et al.       | 180/292 |
| D353,383  | S * | 12/1994 | Aronsson et al.    | D15/5   |
| 5,403,367 | A * | 4/1995  | De Villiers et al. | 55/320  |
| D392,928  | S * | 3/1998  | Erion et al.       | D12/194 |

6,832,872	B2 *	12/2004	Koelm et al.	404/108
D590,419	S *	4/2009	Duffek et al.	D15/5
7,678,168	B2 *	3/2010	Connelly et al.	55/385.3
D627,369	S *	11/2010	Troxell	D15/5
D636,408	S *	4/2011	Luxon et al.	D15/5
D636,787	S *	4/2011	Luxon et al.	D15/5
D636,788	S *	4/2011	Luxon et al.	D15/5
D637,205	S *	5/2011	Luxon et al.	D15/5
D637,623	S *	5/2011	Luxon et al.	D15/5
D638,446	S *	5/2011	Luxon et al.	D15/5
7,958,966	B2 *	6/2011	Smith	181/264
D641,377	S *	7/2011	Luxon et al.	D15/5
D642,199	S *	7/2011	Luxon et al.	D15/5
D648,745	S *	11/2011	Luxon et al.	D15/5
D649,162	S *	11/2011	Luxon et al.	D15/5
D670,743	S *	11/2012	Ewringmann	D15/28
2004/0088968	A1 *	5/2004	Koelm et al.	60/282
2008/0236693	A1 *	10/2008	Muzzy et al.	138/108
2009/0120066	A1 *	5/2009	VanderGriend et al.	60/285
2011/0000199	A1 *	1/2011	Ezawa et al.	60/311
2011/0023472	A1 *	2/2011	Saito et al.	60/311
2011/0120085	A1 *	5/2011	Saito et al.	60/272
2011/0192153	A1 *	8/2011	Schmidt	60/317

(Continued)

*Primary Examiner* — Mark Goodwin

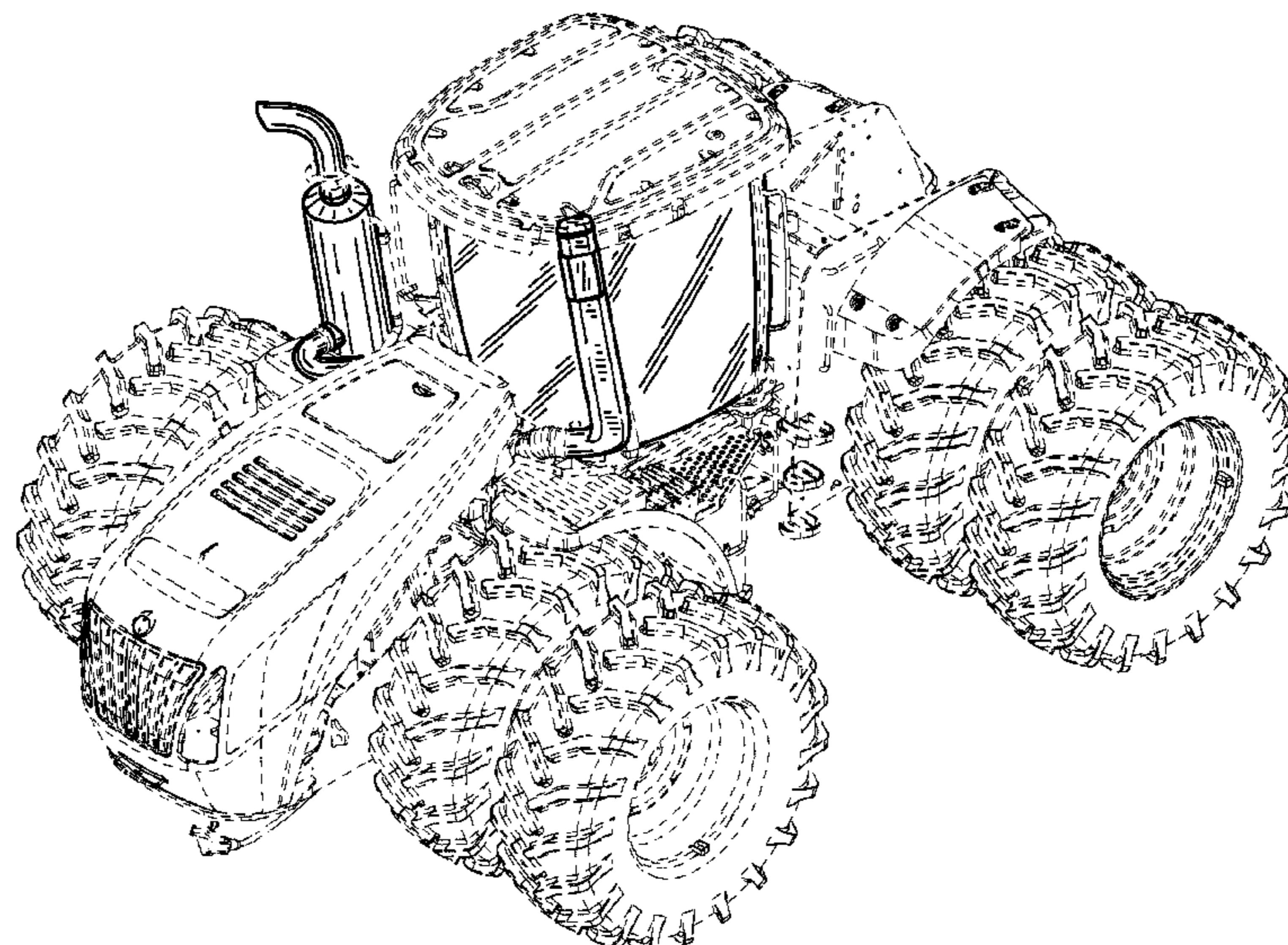
(74) *Attorney, Agent, or Firm* — Sue C. Watson

(57) **CLAIM**  
The ornamental design for combined tractor windows and intake and exhaust, as shown and described.

**DESCRIPTION**

FIG. 1 is a perspective view of combined tractor windows and intake and exhaust showing our new design; FIG. 2 is a left side elevational view thereof; FIG. 3 is a front elevational view of thereof; FIG. 4 is a right side elevational view thereof; FIG. 5 is a back elevational view thereof; and, FIG. 6 is a top plan view thereof. The portions of the Figures shown in broken lines form no part of the claimed design.

**1 Claim, 6 Drawing Sheets**



# US D698,831 S

Page 2

---

(56)

## References Cited

### U.S. PATENT DOCUMENTS

2011/0283687 A1*	11/2011	Dobler et al. ....	60/299
2012/0042637 A1*	2/2012	Roozenboom et al. ....	60/297
2013/0025557 A1*	1/2013	Chlystek et al. ....	123/184.21
2011/0214419 A1*	9/2011	Castner et al. ....	60/317

\* cited by examiner



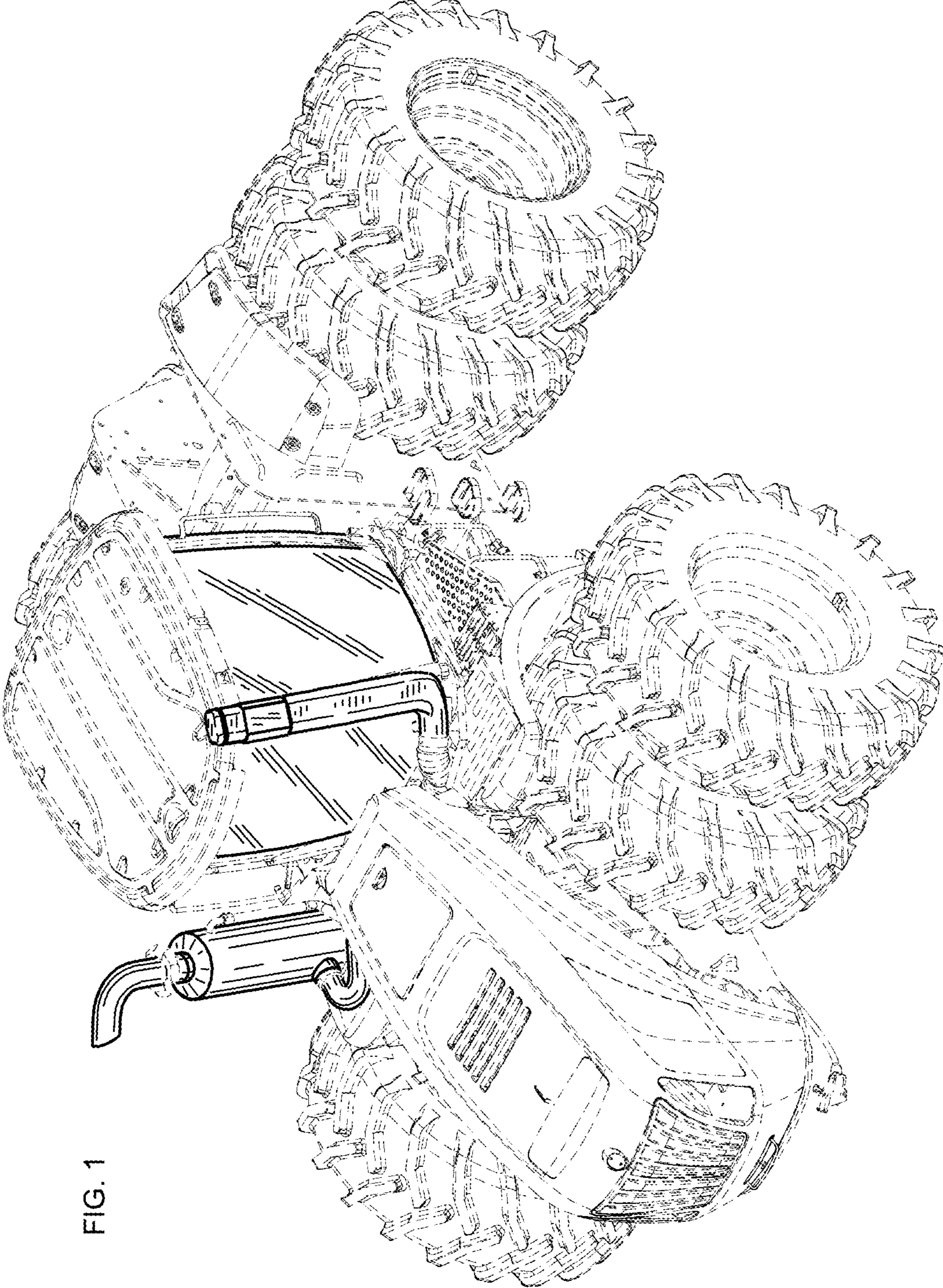


FIG. 1

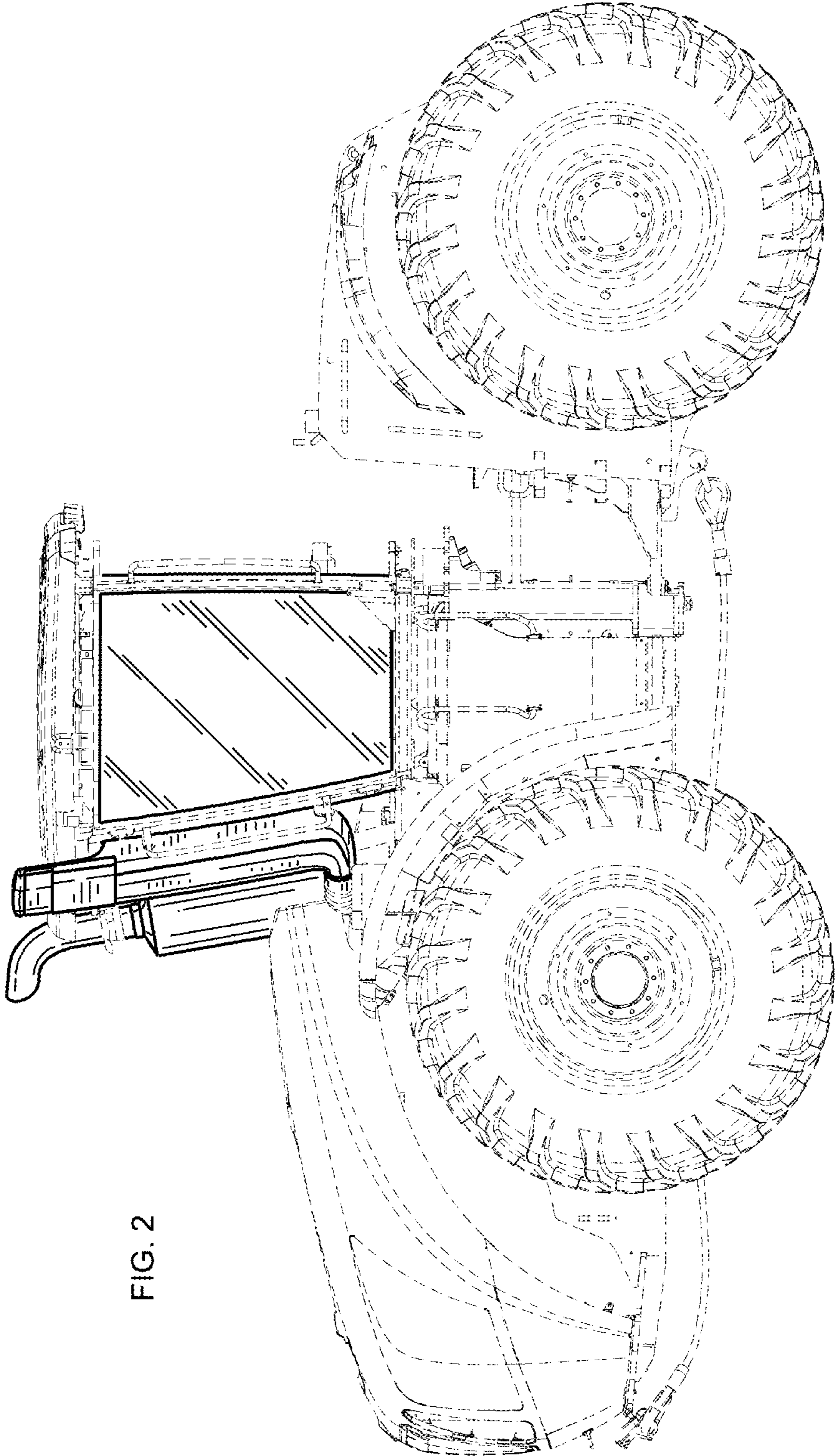


FIG. 2



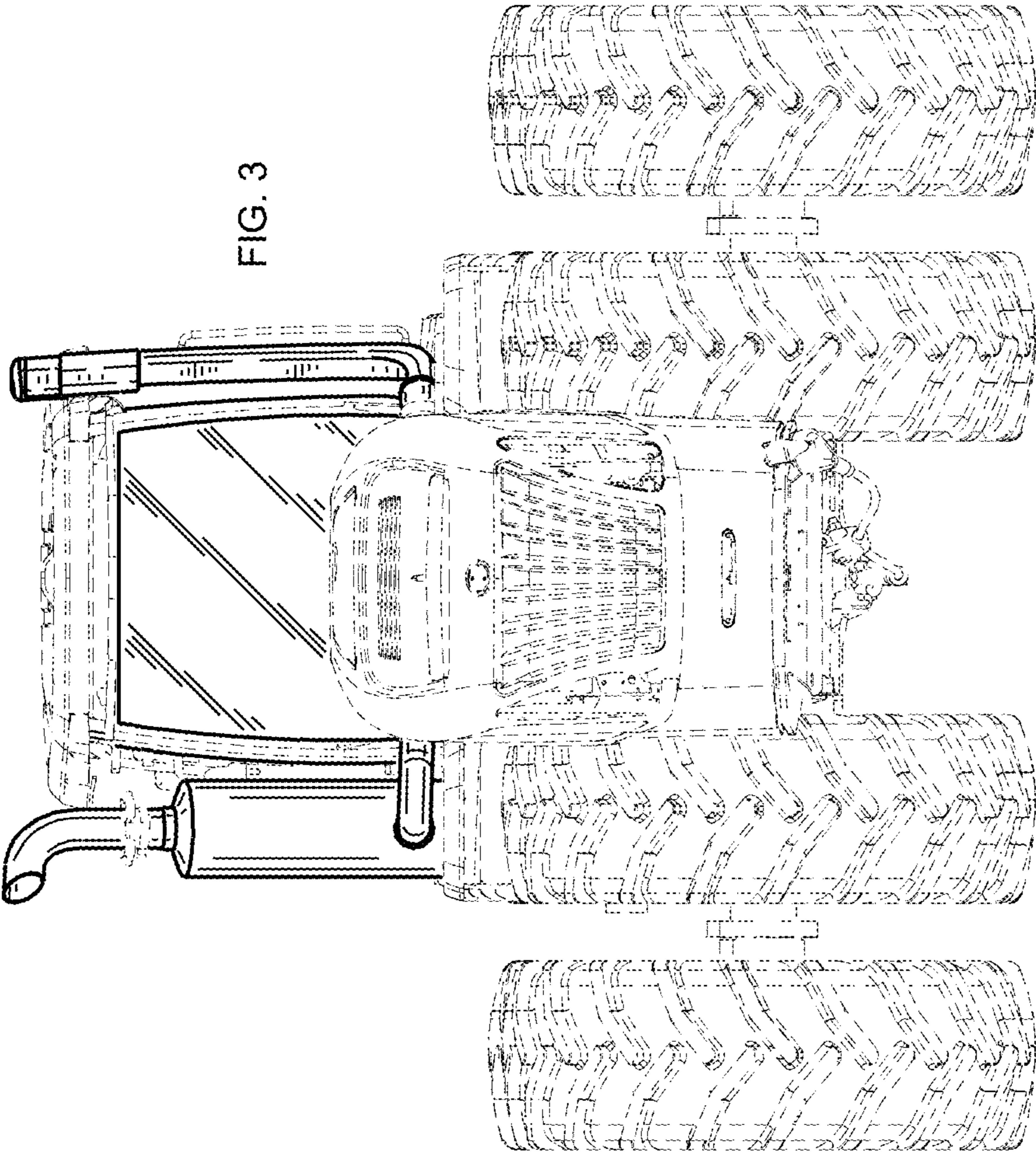


FIG. 3

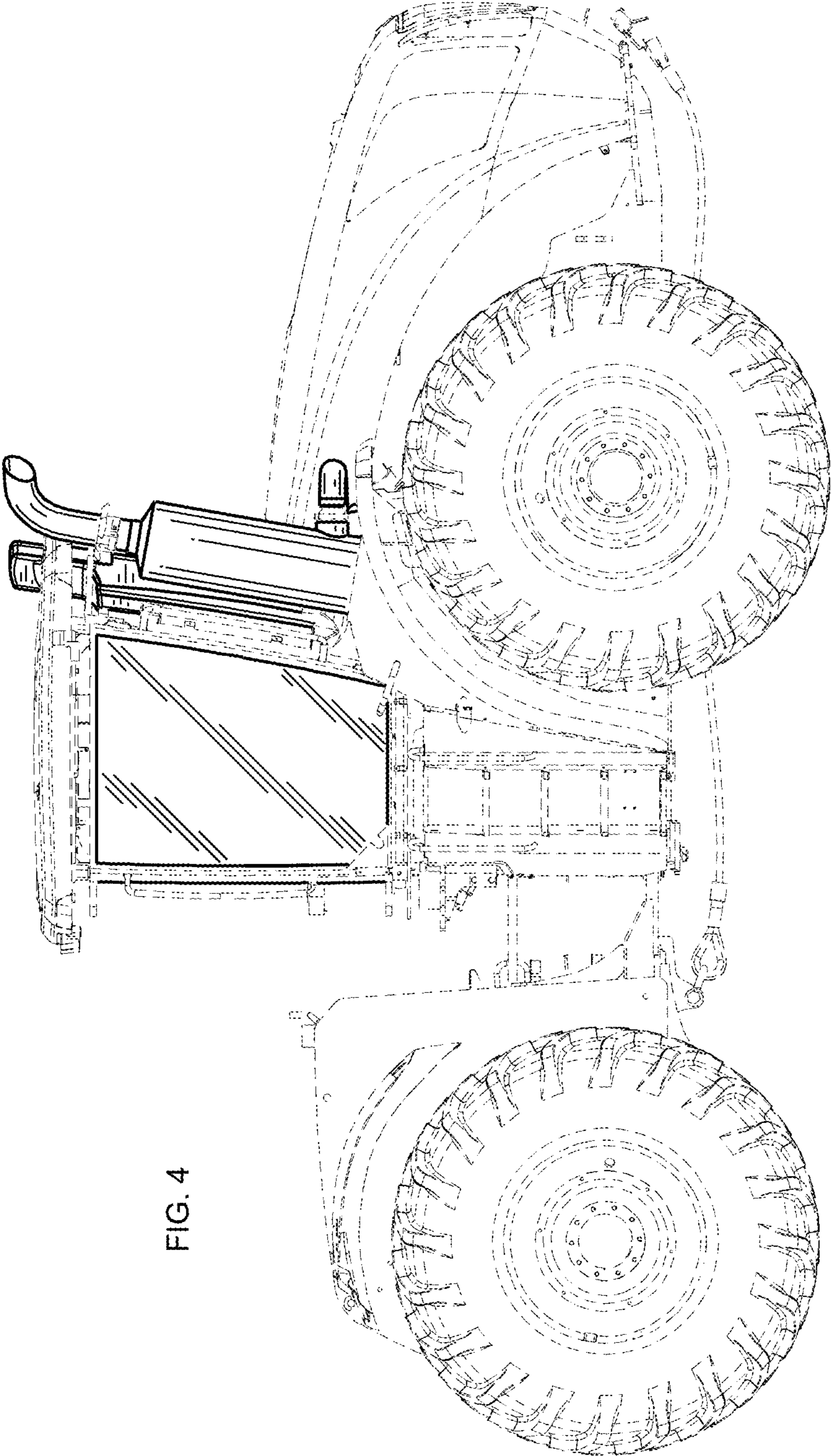
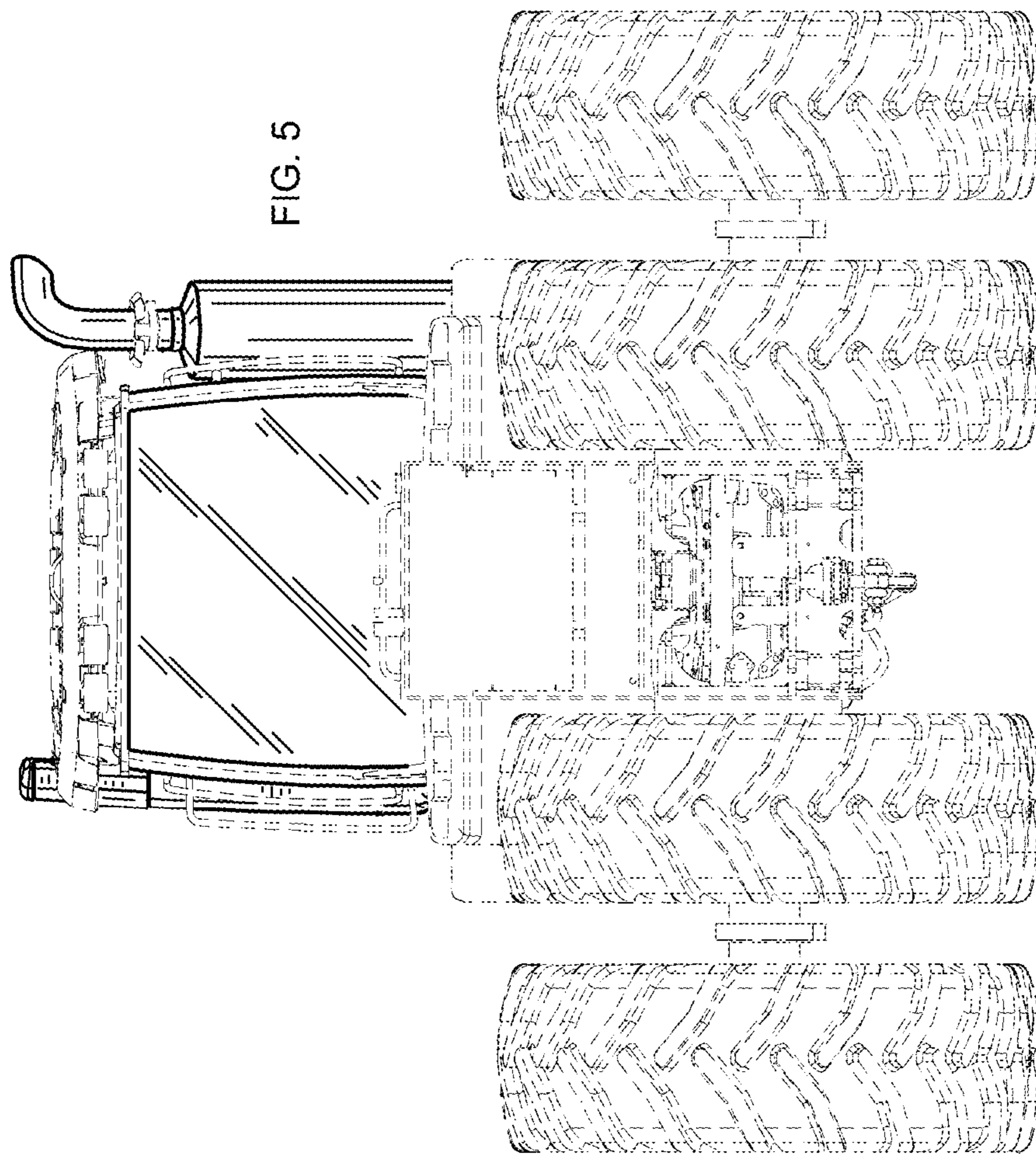


FIG. 4





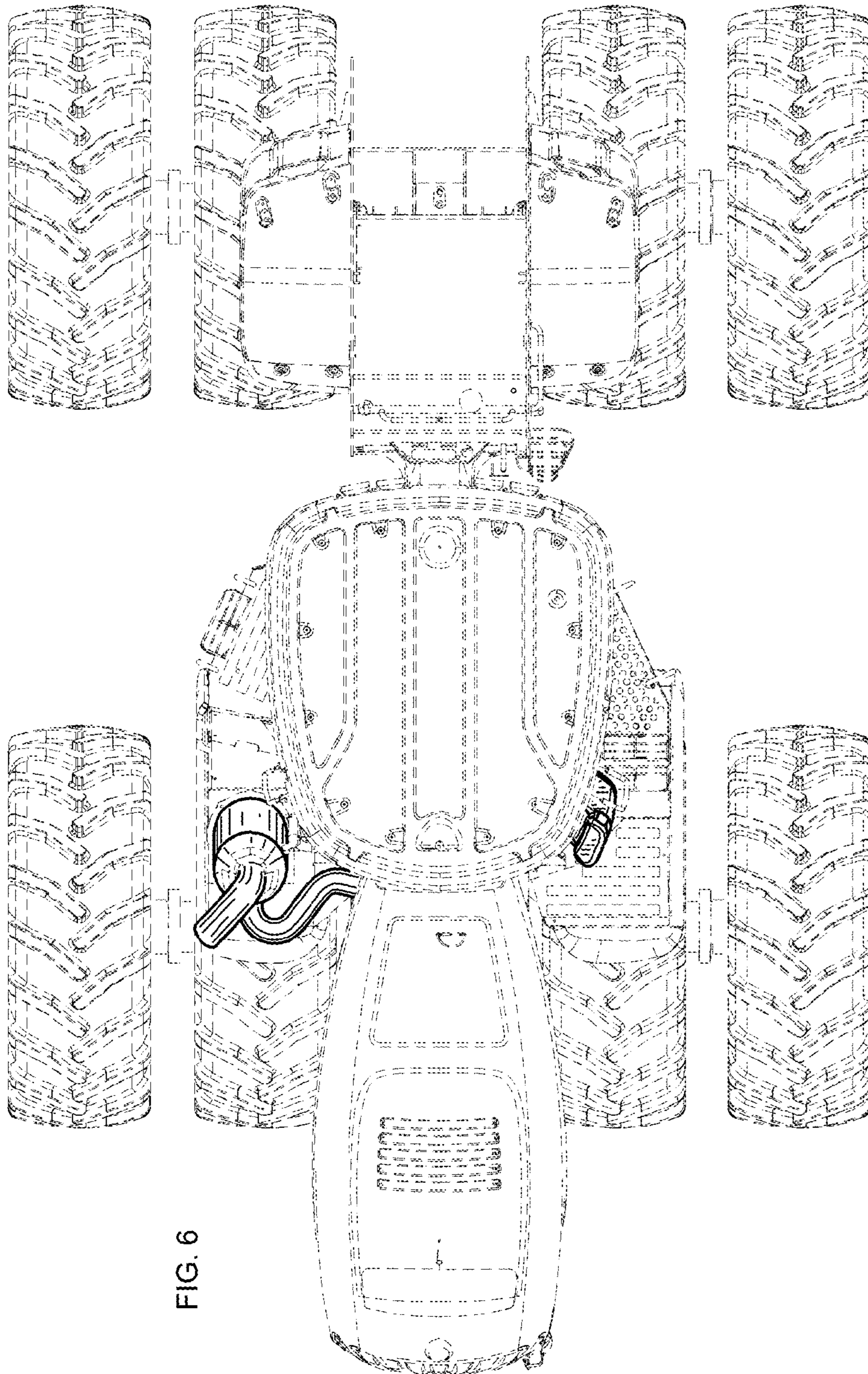


FIG. 6