



US00D698829S

(12) **United States Design Patent**  
**Singh et al.**

(10) **Patent No.:** **US D698,829 S**

(45) **Date of Patent:** **\*\* Feb. 4, 2014**

(54) **FUEL PUMP MOUNTING STRUCTURE**

(71) Applicant: **General Electric Company,**  
Schenectady, NY (US)

(72) Inventors: **Trideep Singh,** Bangalore (IN); **Kevin Paul Bailey,** Grove City, PA (US); **Charles Bernard Atz,** Grove City, PA (US); **John Stephen Roth,** Millcreek Township, PA (US); **Pranav Raina,** Bangalore (IN); **Abhijit Eknath Patil,** Bangalore (IN); **Muthu Anandhan,** Lawrence Park, PA (US); **Vignaprasanth Damodaran,** Bangalore (IN)

(73) Assignee: **General Electric Company,**  
Schenectady, NY (US)

(\*\*) Term: **14 Years**

(21) Appl. No.: **29/454,338**

(22) Filed: **May 9, 2013**

(51) **LOC (10) Cl.** ..... **15-02**

(52) **U.S. Cl.**  
USPC ..... **D15/7**

(58) **Field of Classification Search**  
USPC ..... D15/7-9; D23/231, 232, 225; 417/60, 417/235, 265, 321, 355, 358, 363, 359, 417/410.1, 415-416, 405, 900; 60/408, 60/412; 184/26-37; 415/140-147; 123/495, 509

See application file for complete search history.

(56) **References Cited**

**U.S. PATENT DOCUMENTS**

D238,963 S \* 2/1976 Vinci ..... D15/9  
D261,654 S \* 11/1981 Feuling ..... D15/5  
D283,896 S \* 5/1986 Evans et al. .... D15/5

D322,790 S \* 12/1991 Bekius ..... D15/7  
D354,063 S \* 1/1995 Ekholm et al. .... D15/7  
D357,923 S \* 5/1995 Peterson et al. .... D15/9.1  
D490,820 S \* 6/2004 Schoemneyr ..... D15/7  
D537,844 S \* 3/2007 Chu ..... D15/9  
D563,435 S \* 3/2008 Charlet ..... D15/7  
D589,061 S \* 3/2009 Chu ..... D15/7  
D629,422 S \* 12/2010 Fujita et al. .... D15/7  
D645,058 S \* 9/2011 Benoit ..... D15/9

**FOREIGN PATENT DOCUMENTS**

EP 1741920 1/2007

\* cited by examiner

*Primary Examiner* — Ralf Seifert

(74) *Attorney, Agent, or Firm* — GE Global Patent Operation; John A. Kramer

(57) **CLAIM**

The ornamental design for a fuel pump mounting structure, as shown and described.

**DESCRIPTION**

FIG. 1 is a first perspective view of an ornamental design for a fuel pump mounting structure, according to the invention. FIG. 2 is a front view of a fuel pump mounting structure of FIG. 1.

FIG. 3 is a back view of a fuel pump mounting structure of FIG. 1.

FIG. 4 is a left view of a fuel pump mounting structure of FIG. 1.

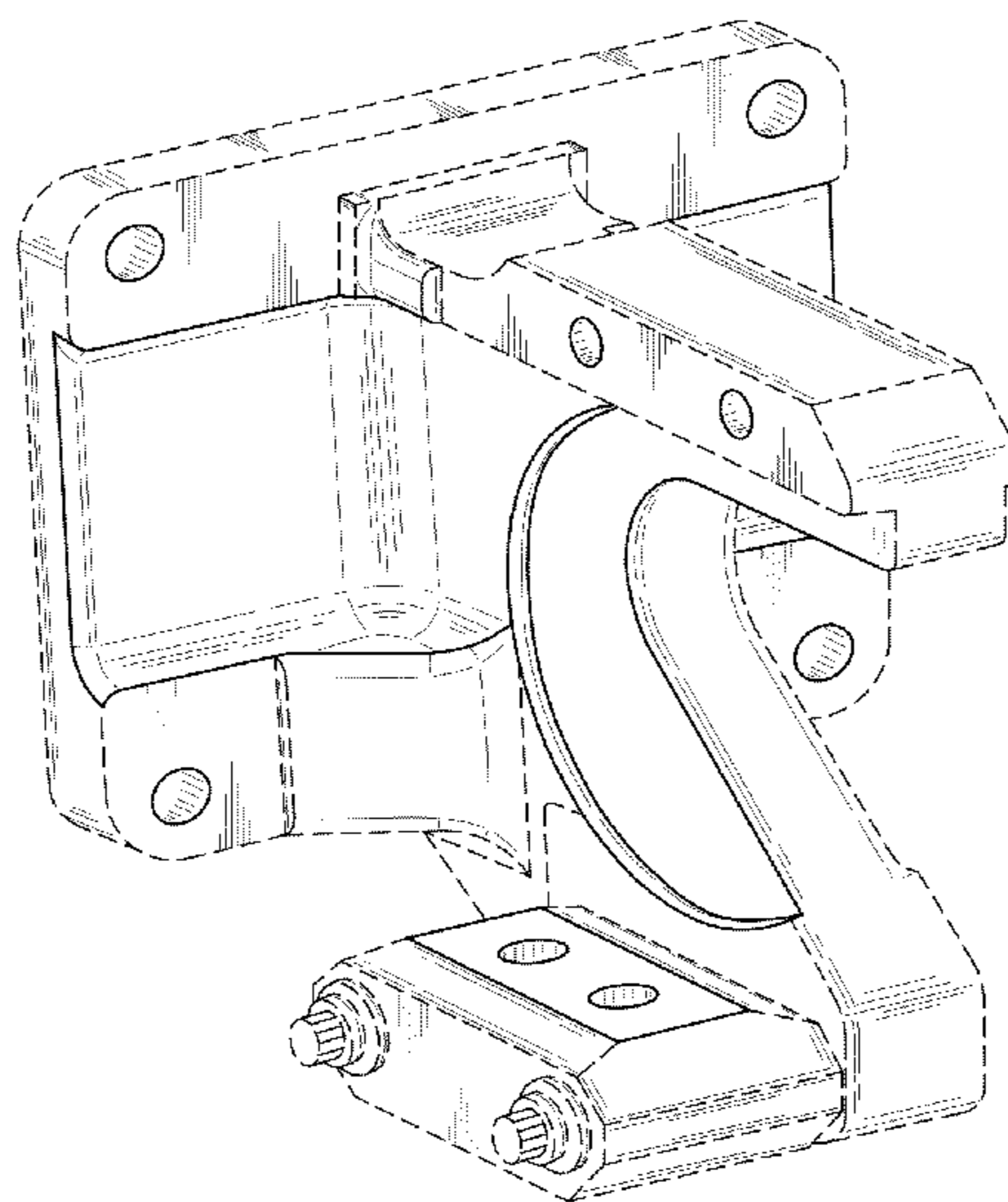
FIG. 5 is a right view of a fuel pump mounting structure of FIG. 1.

FIG. 6 is a top view of a fuel pump mounting structure of FIG. 1; and,

FIG. 7 is a bottom view of a fuel pump mounting structure of FIG. 1.

The shading and contour lines in FIGS. 1-7 are for illustrative purposes only and form no part of the claimed design.

**1 Claim, 7 Drawing Sheets**



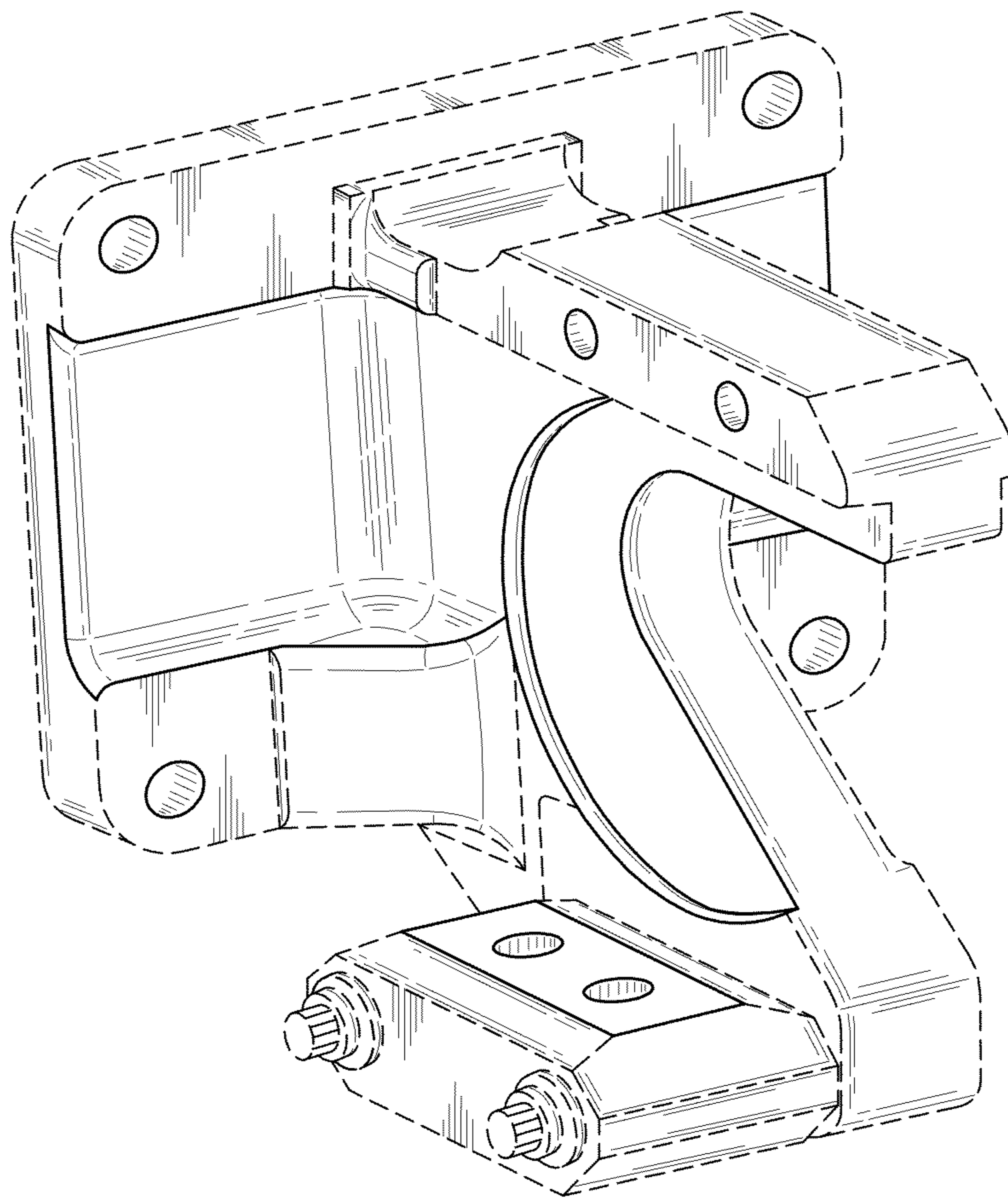


FIG. 1

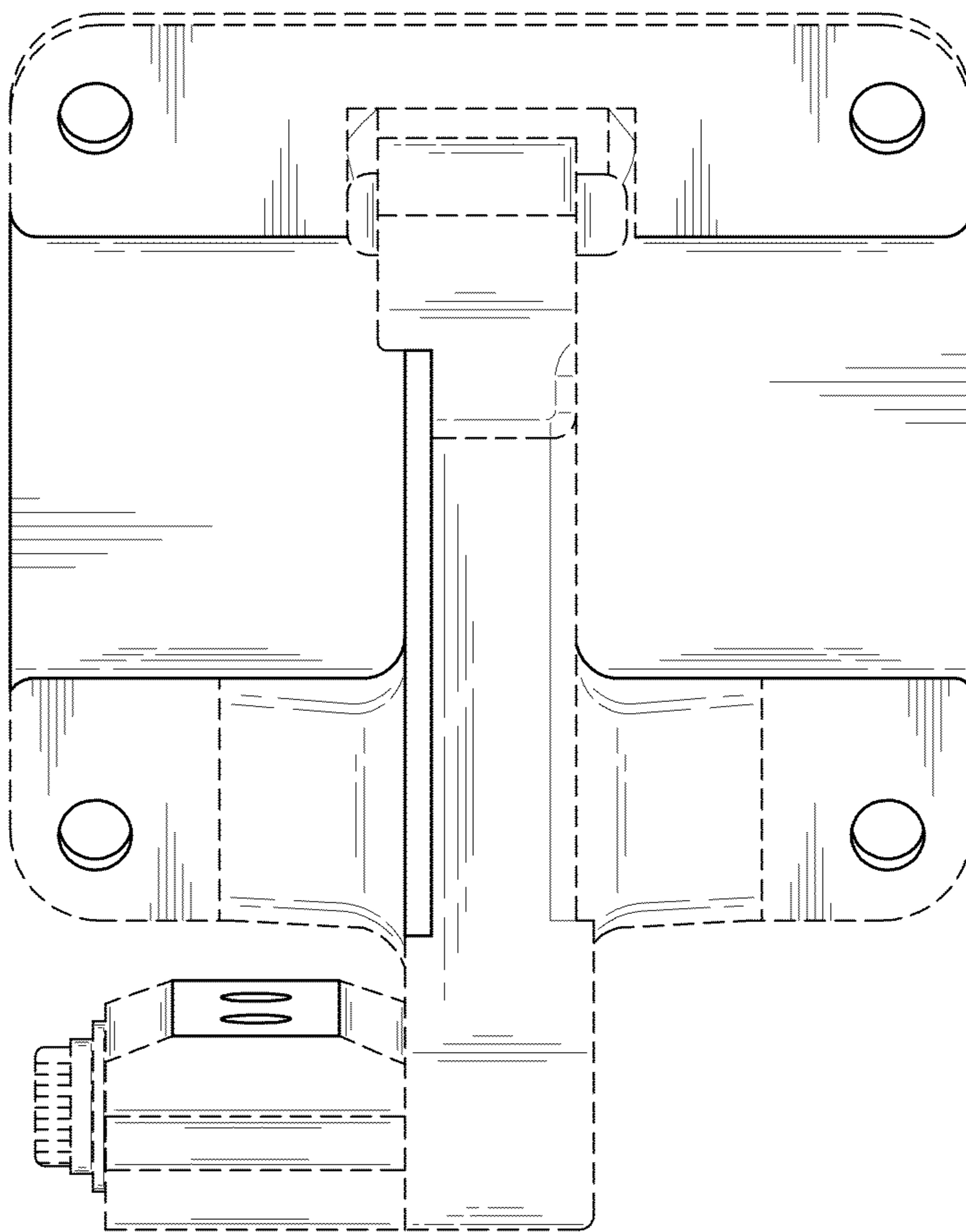


FIG. 2

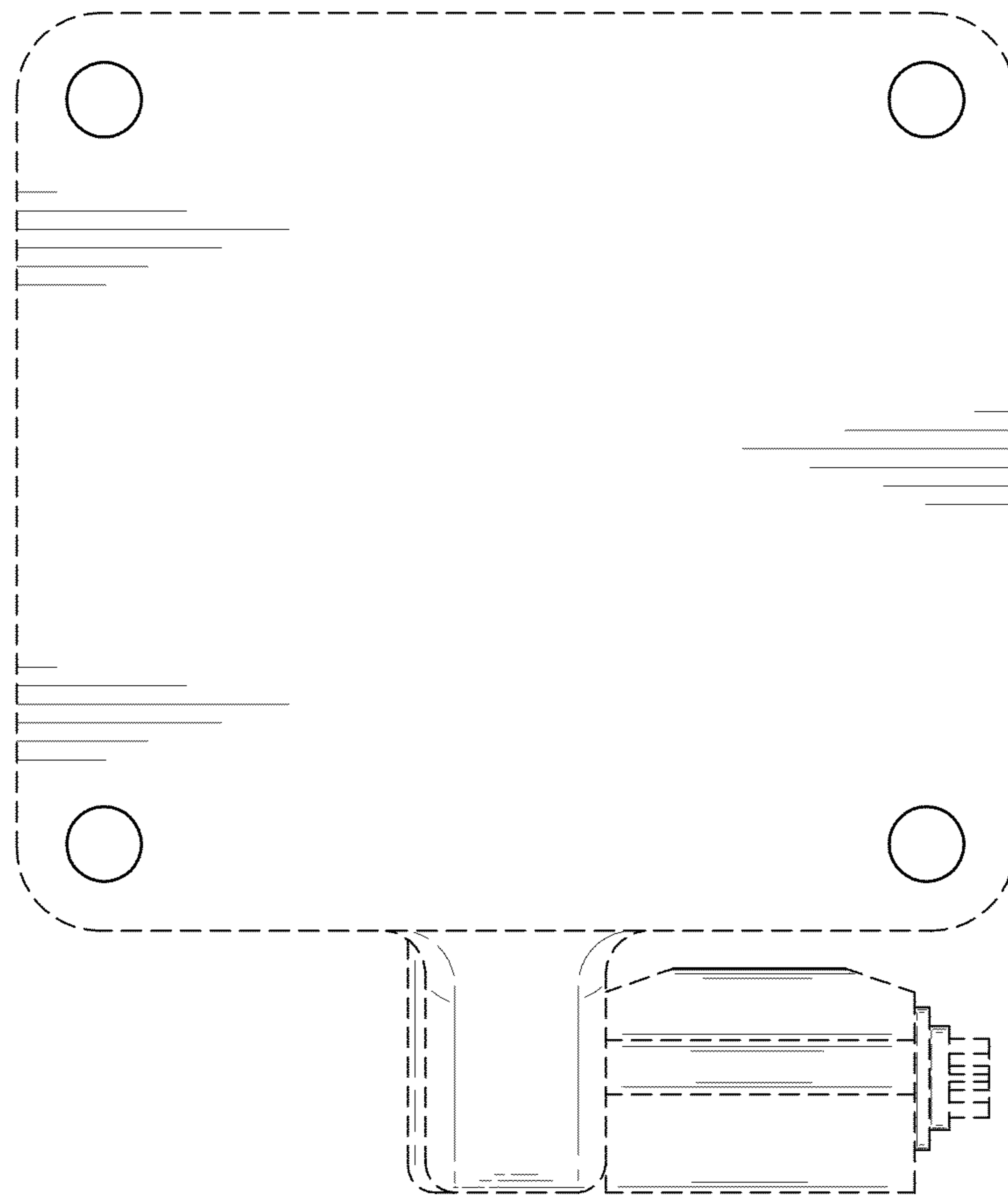


FIG. 3

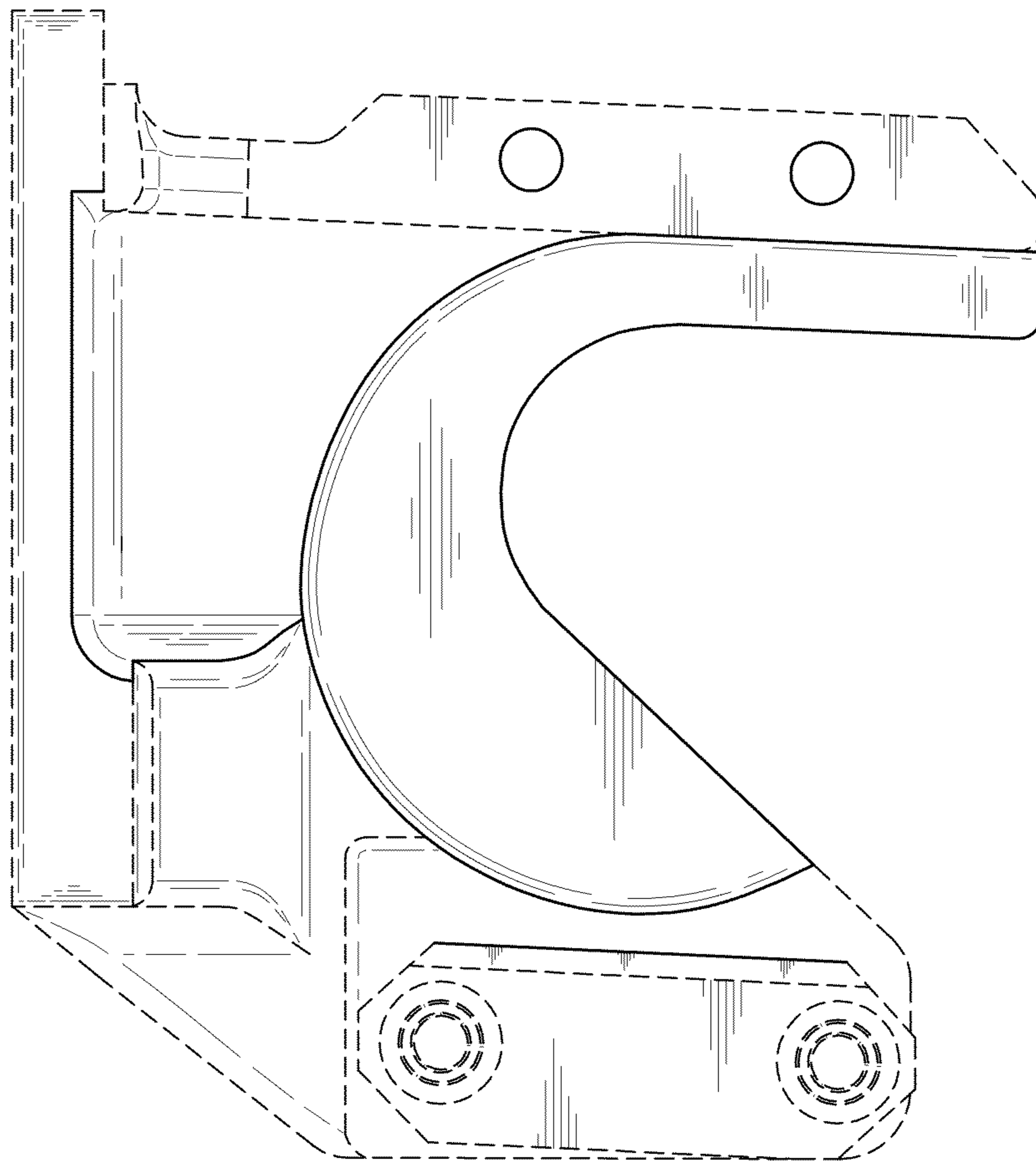


FIG. 4

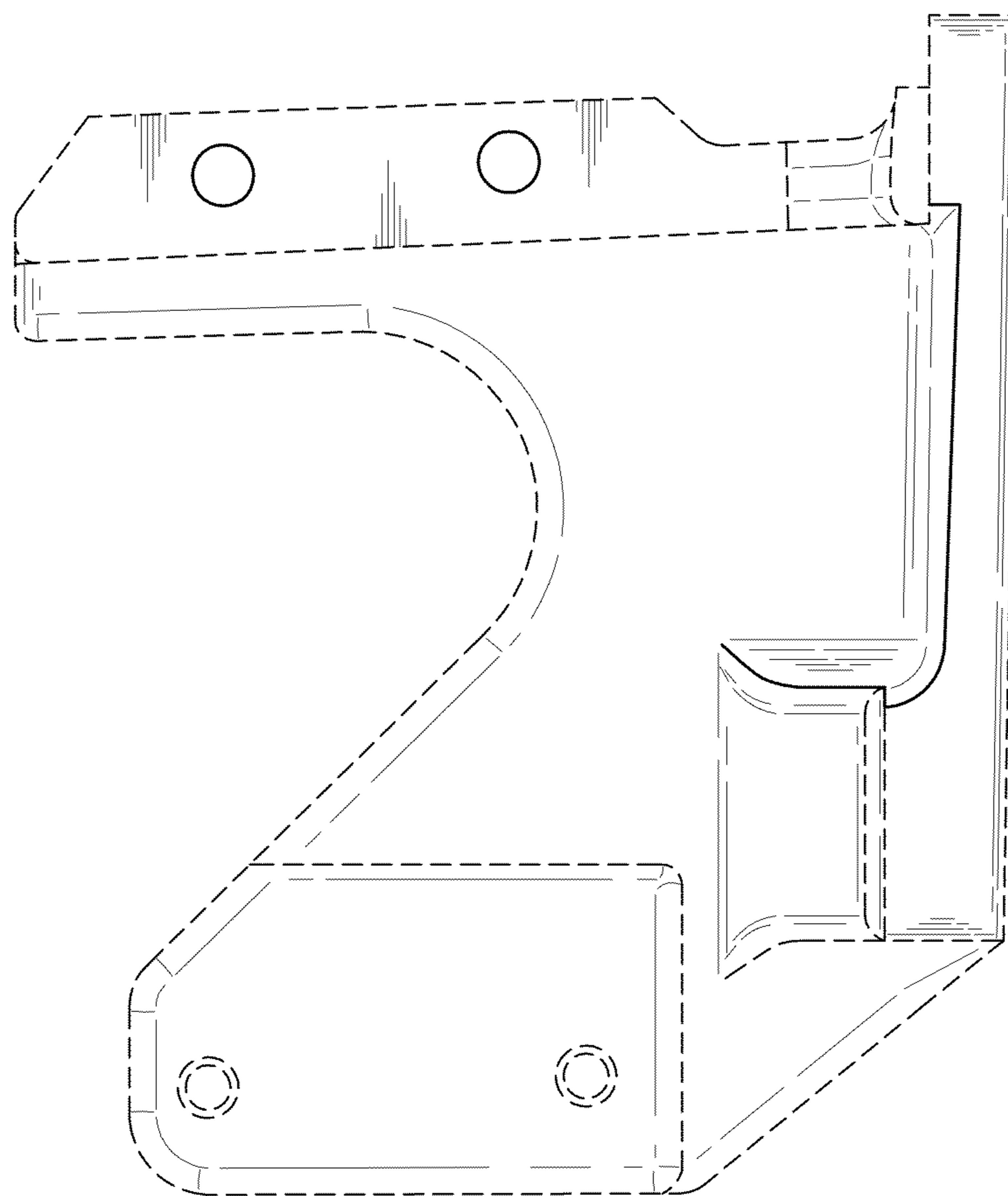


FIG. 5

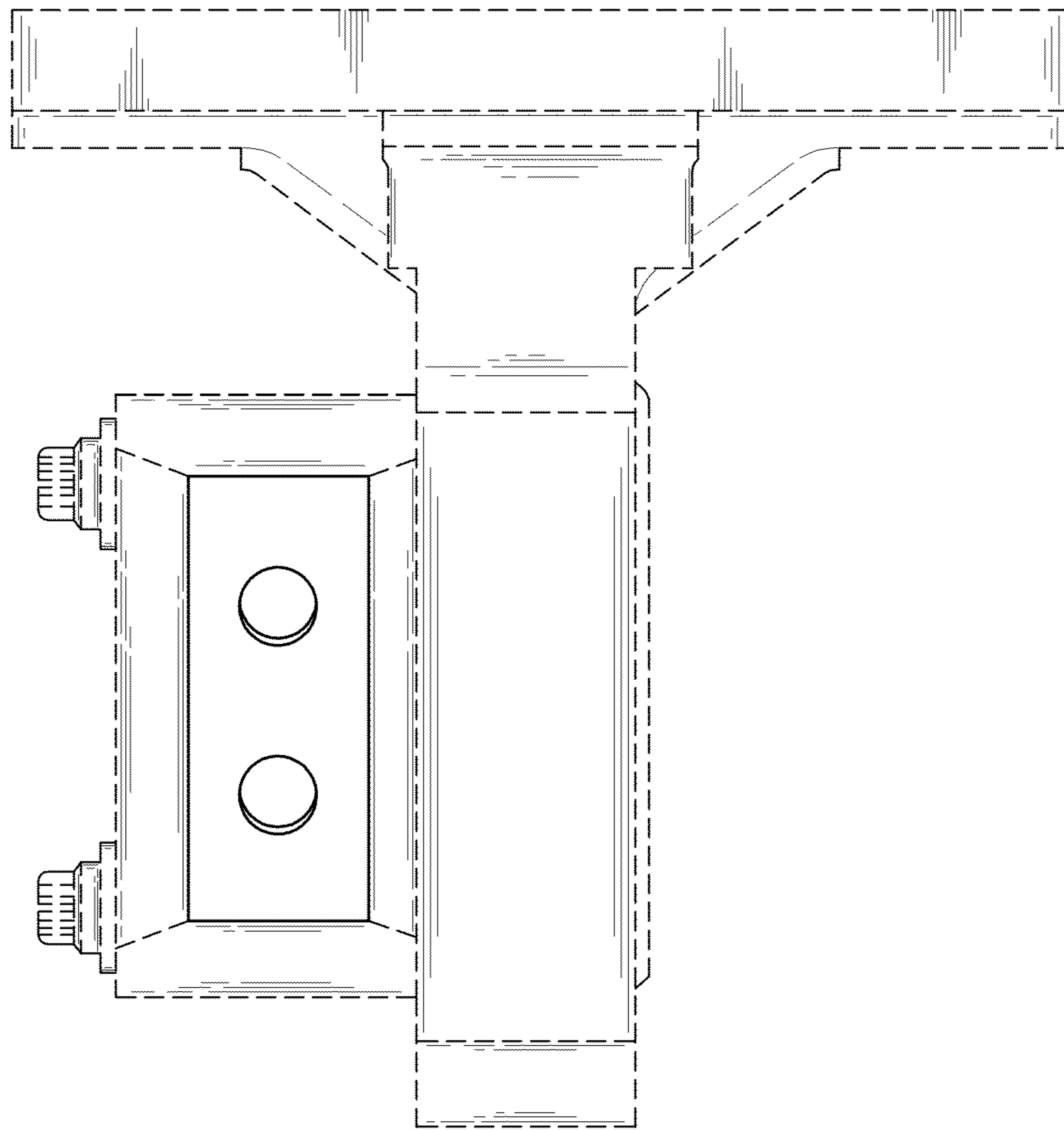


FIG. 6

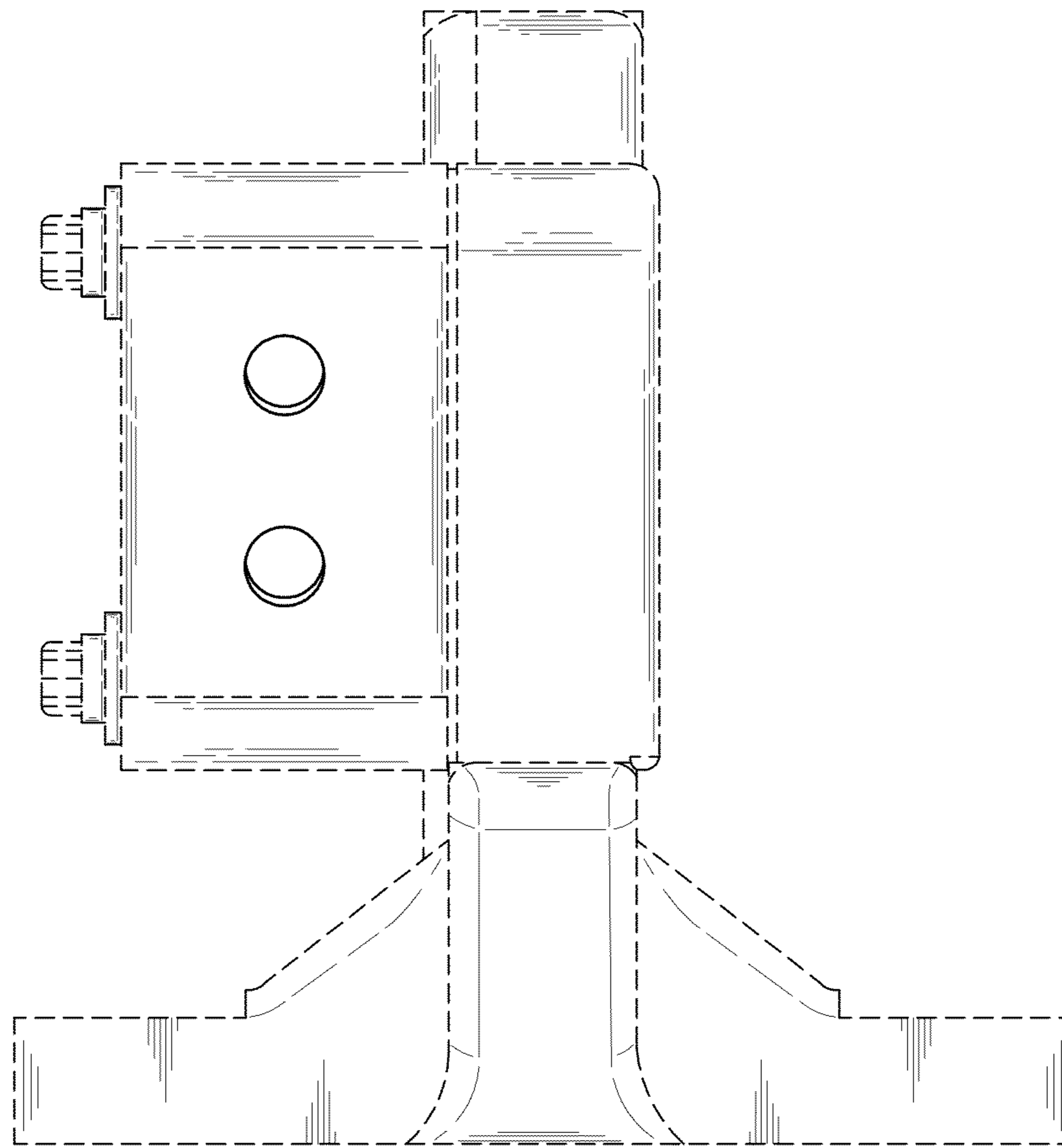


FIG. 7