



US00D698827S

(12) **United States Design Patent**
Hill

(10) **Patent No.:** **US D698,827 S**

(45) **Date of Patent:** **** Feb. 4, 2014**

(54) **MODULAR FLUID RESERVOIR**

(71) Applicant: **Mann+Hummel GmbH**, Ludwigsburg
(GB)

(72) Inventor: **Colin Andrew Hill**, Mid Glamorgan
(GB)

(73) Assignee: **Mann+Hummel GmbH**, Ludwigsburg
(DE)

(**) Term: **14 Years**

(21) Appl. No.: **29/435,755**

(22) Filed: **Oct. 27, 2012**

(51) **LOC (10) Cl.** **15-01**

(52) **U.S. Cl.**
USPC **D15/5**

(58) **Field of Classification Search**
USPC D15/1-5; D3/273, 316, 50; 220/562,
220/563, 564

See application file for complete search history.

(56) **References Cited**

U.S. PATENT DOCUMENTS

D331,094 S * 11/1992 Sterett D23/202
7,779,862 B2 * 8/2010 Sanderson et al. 137/574

2007/0141421 A1 * 6/2007 Hobmeyr et al. 429/26
2007/0272696 A1 * 11/2007 Kallevig et al. 220/562
2008/0061067 A1 * 3/2008 Padget 220/564
2009/0294201 A1 * 12/2009 Kamman 180/417
2010/0206882 A1 * 8/2010 Wessels et al. 220/562

* cited by examiner

Primary Examiner — T. Chase Nelson

Assistant Examiner — Ania Aman

(74) *Attorney, Agent, or Firm* — James Hasselbeck

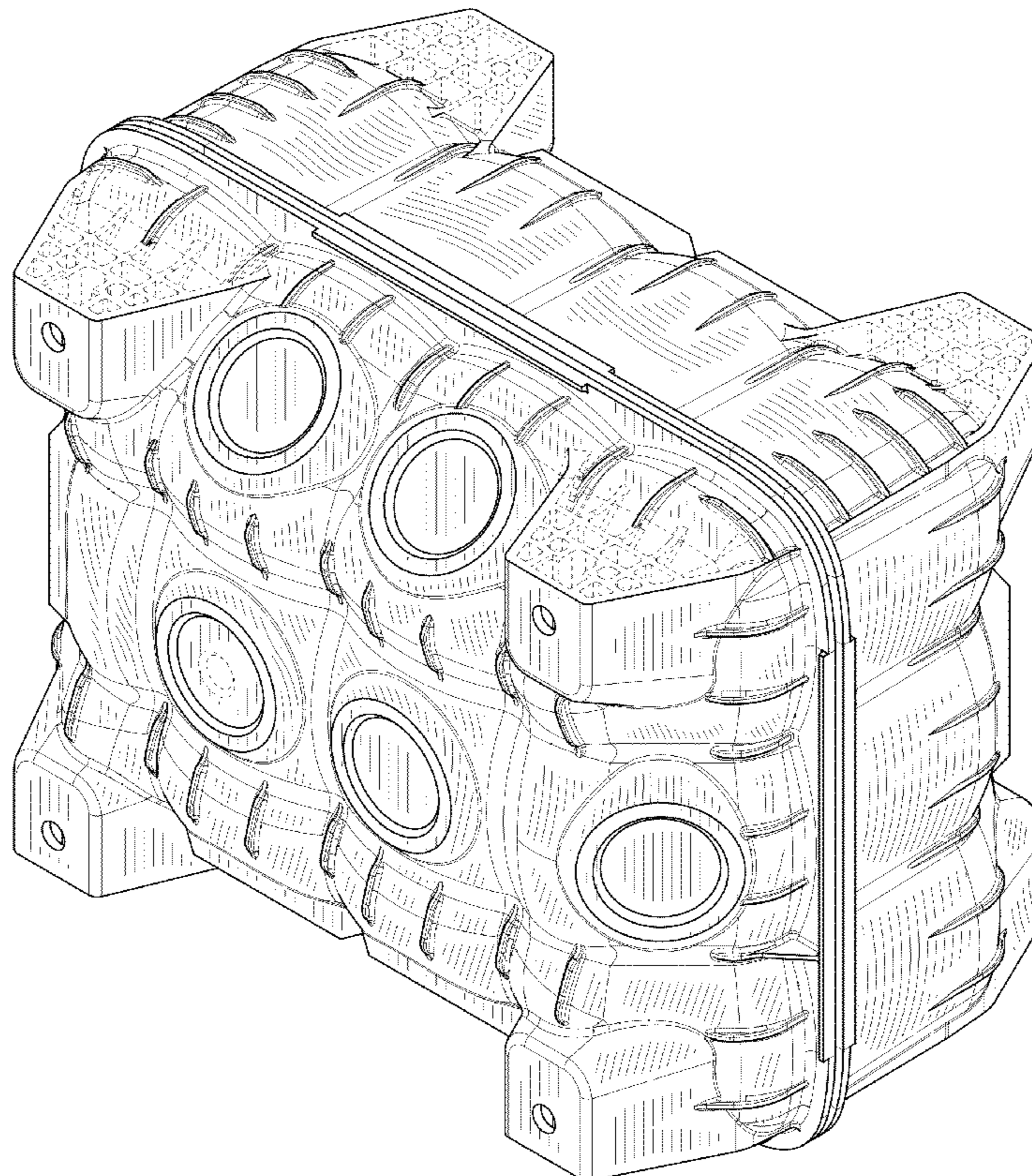
(57) **CLAIM**

I claim the ornamental design for a modular fluid reservoir, as shown and described.

DESCRIPTION

FIG. 1 is a perspective view of a modular fluid reservoir showing my new design;
FIG. 2 is a front elevational view thereof;
FIG. 3 is a rear elevational view thereof;
FIG. 4 is a left side elevational view thereof;
FIG. 5 is a right side elevational view thereof;
FIG. 6 is a top plan view thereof; and,
FIG. 7 is a bottom plan view thereof.
The broken line shown in the drawings are for the purpose of illustrating portions of the article that form no part of the claimed design.

1 Claim, 7 Drawing Sheets



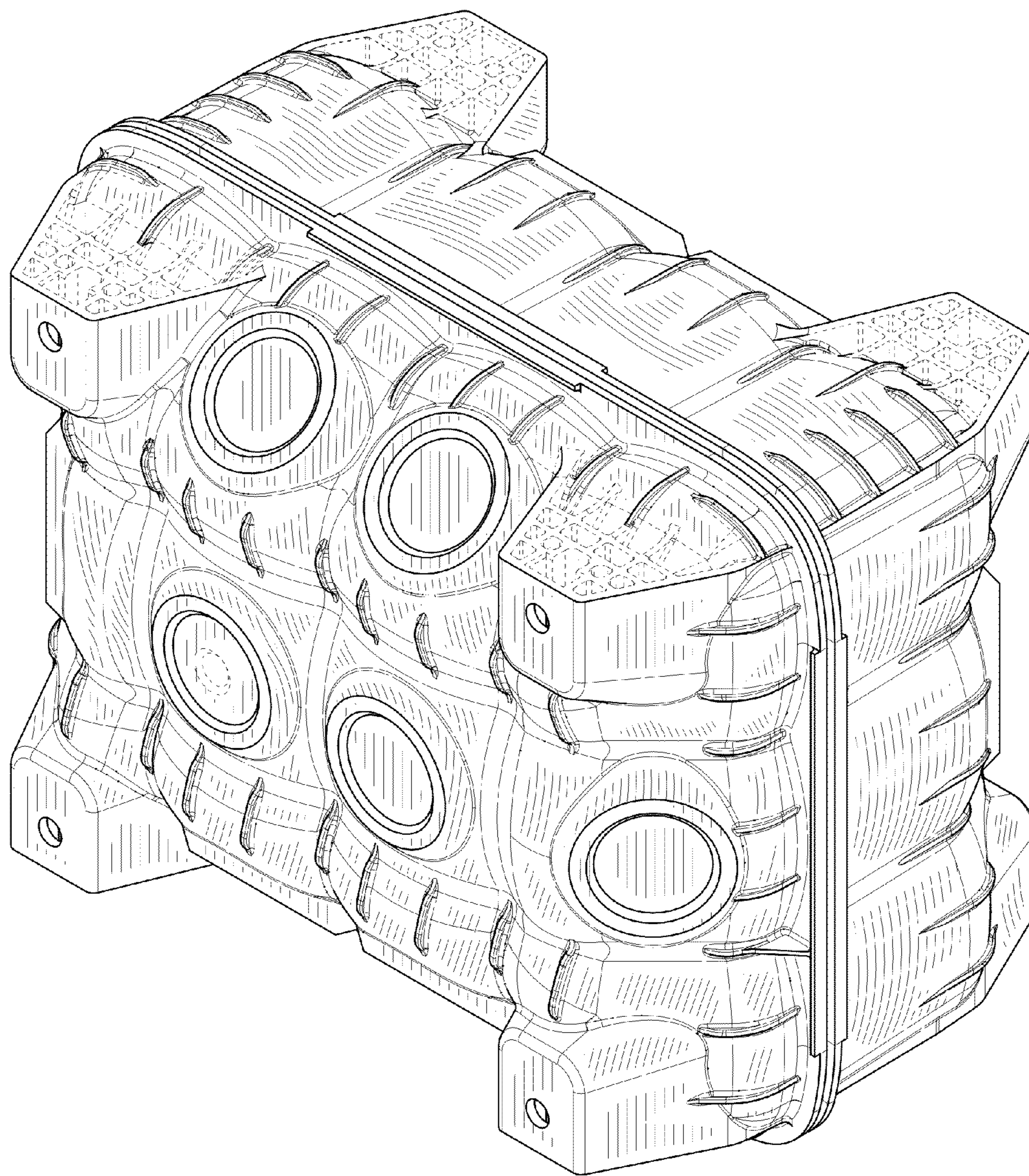


FIG. 1

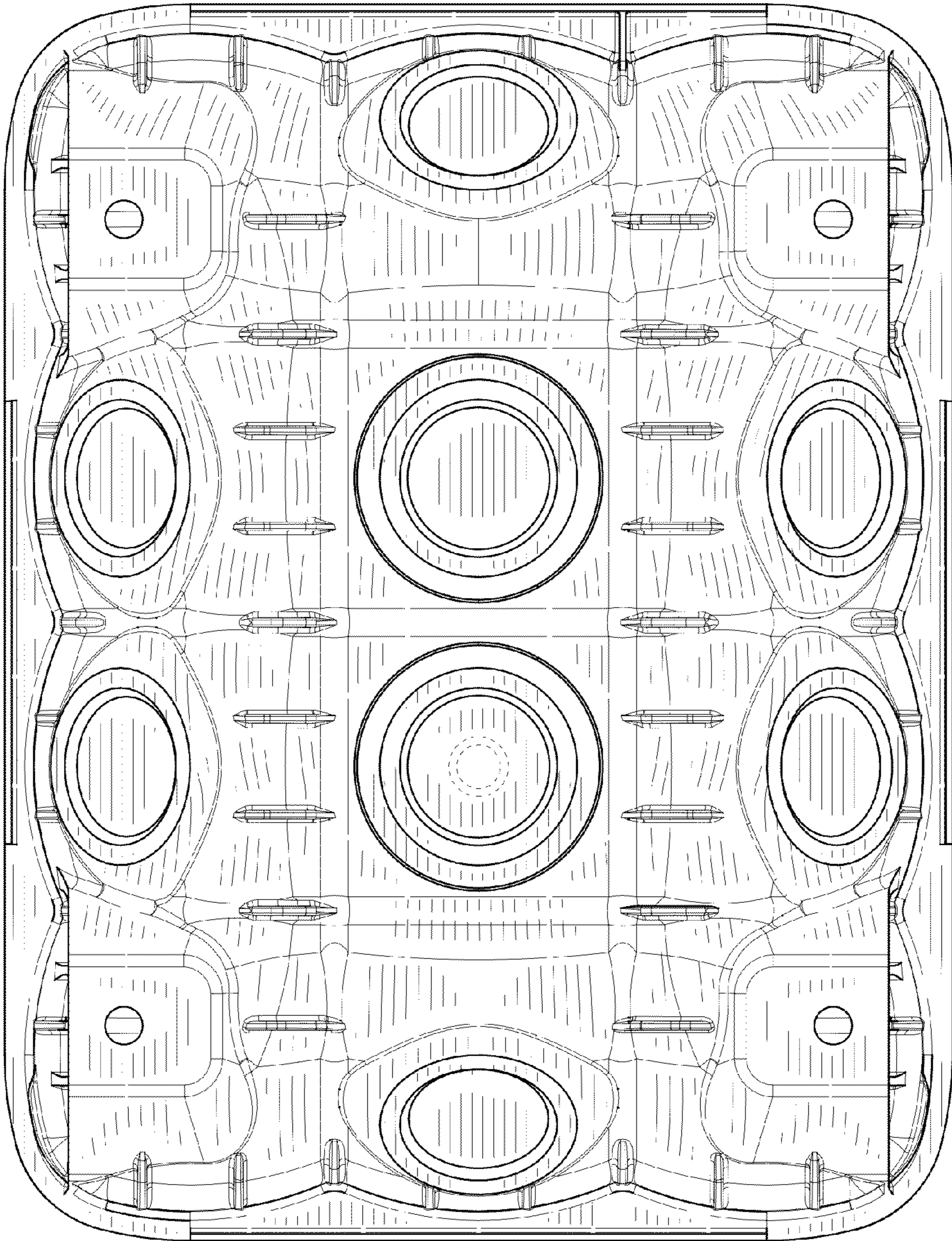


FIG. 2

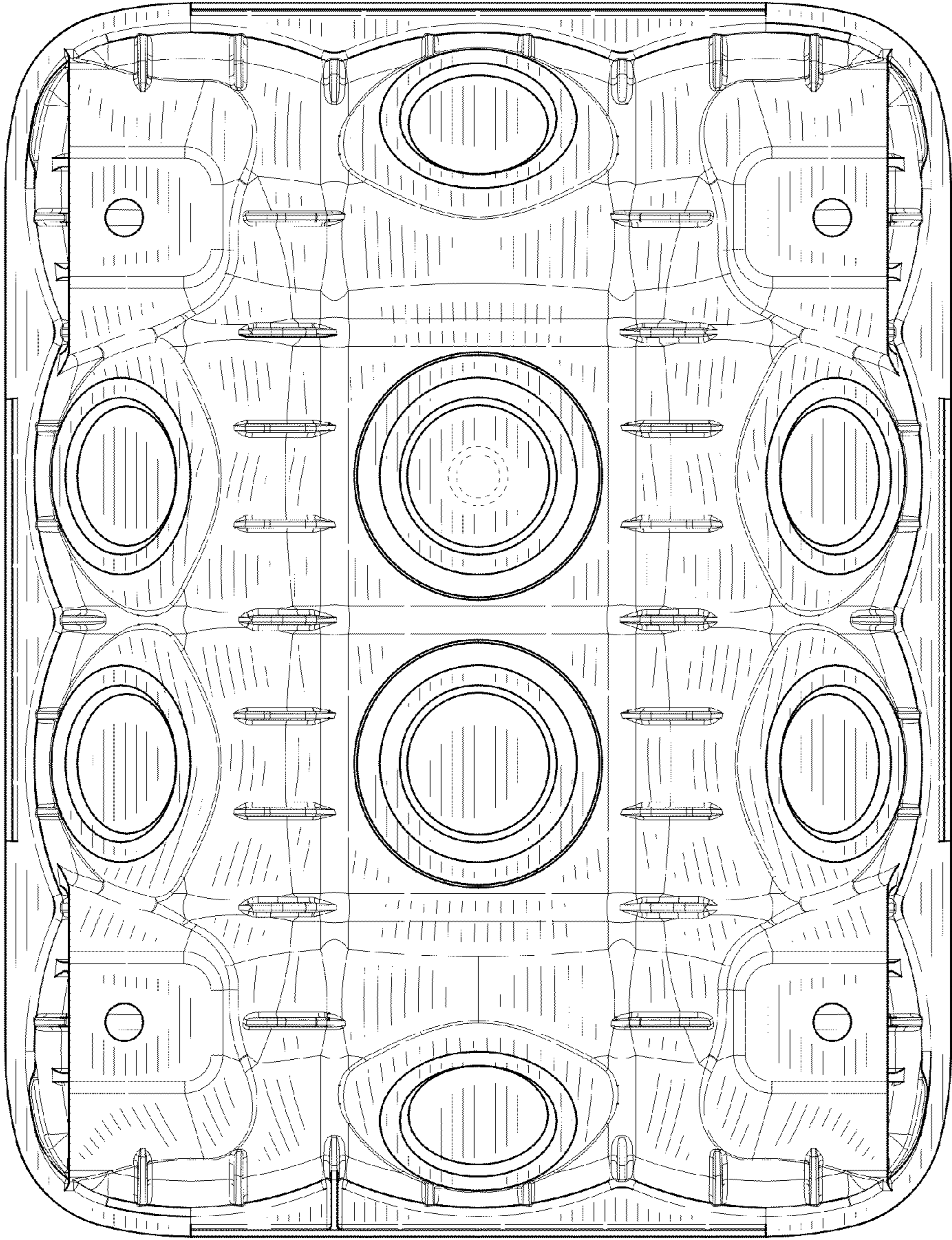


FIG. 3

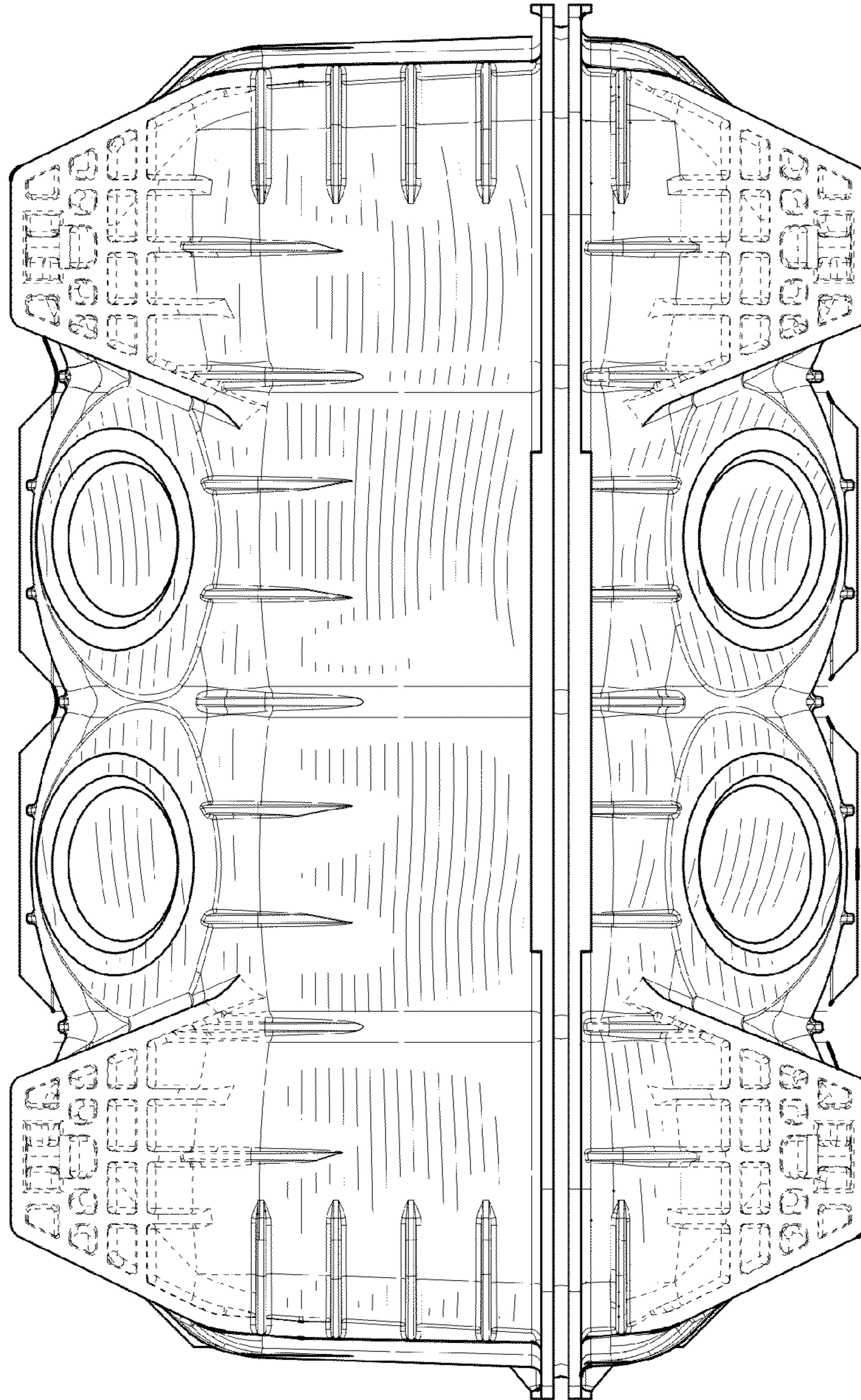


FIG. 4

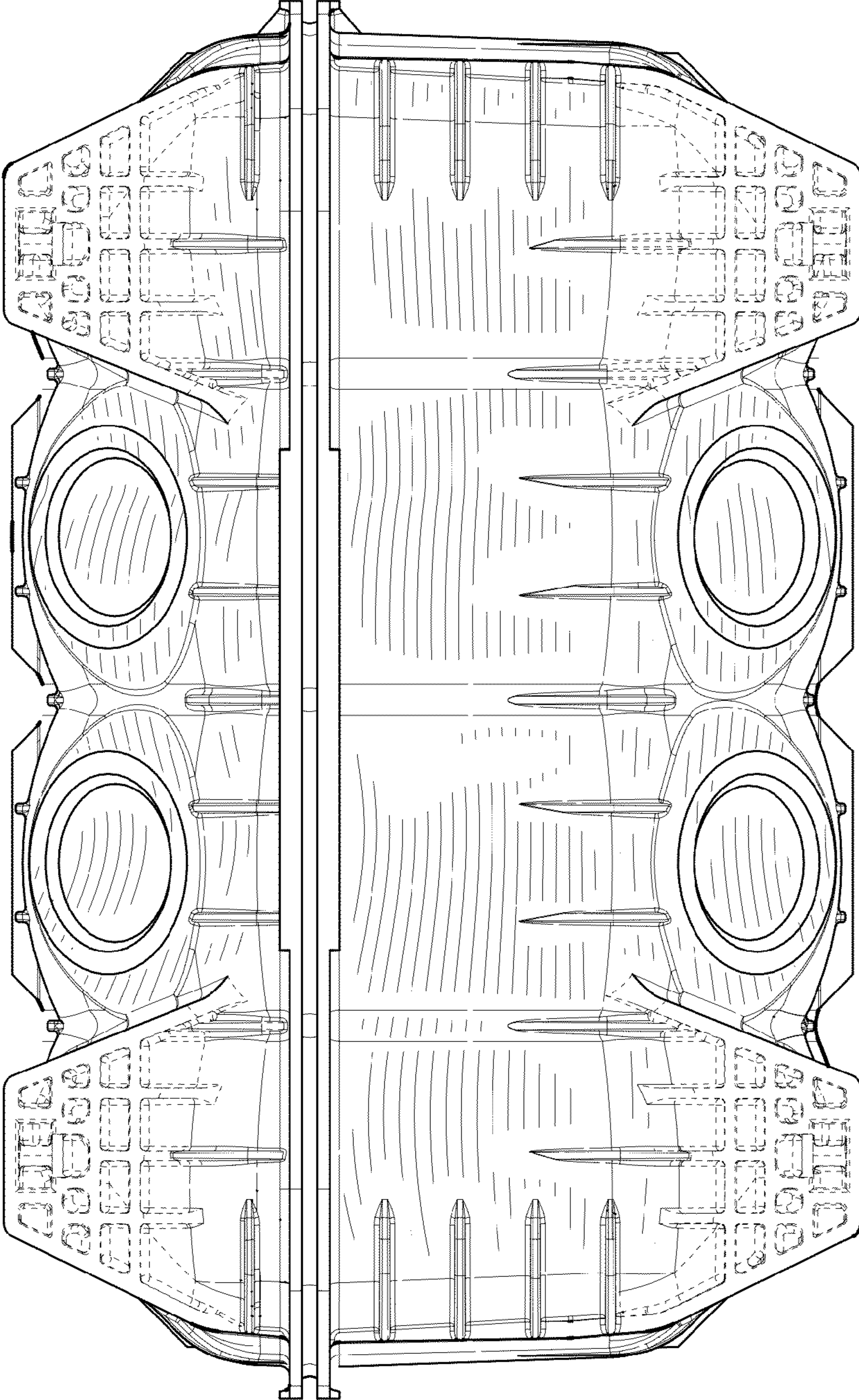


FIG. 5

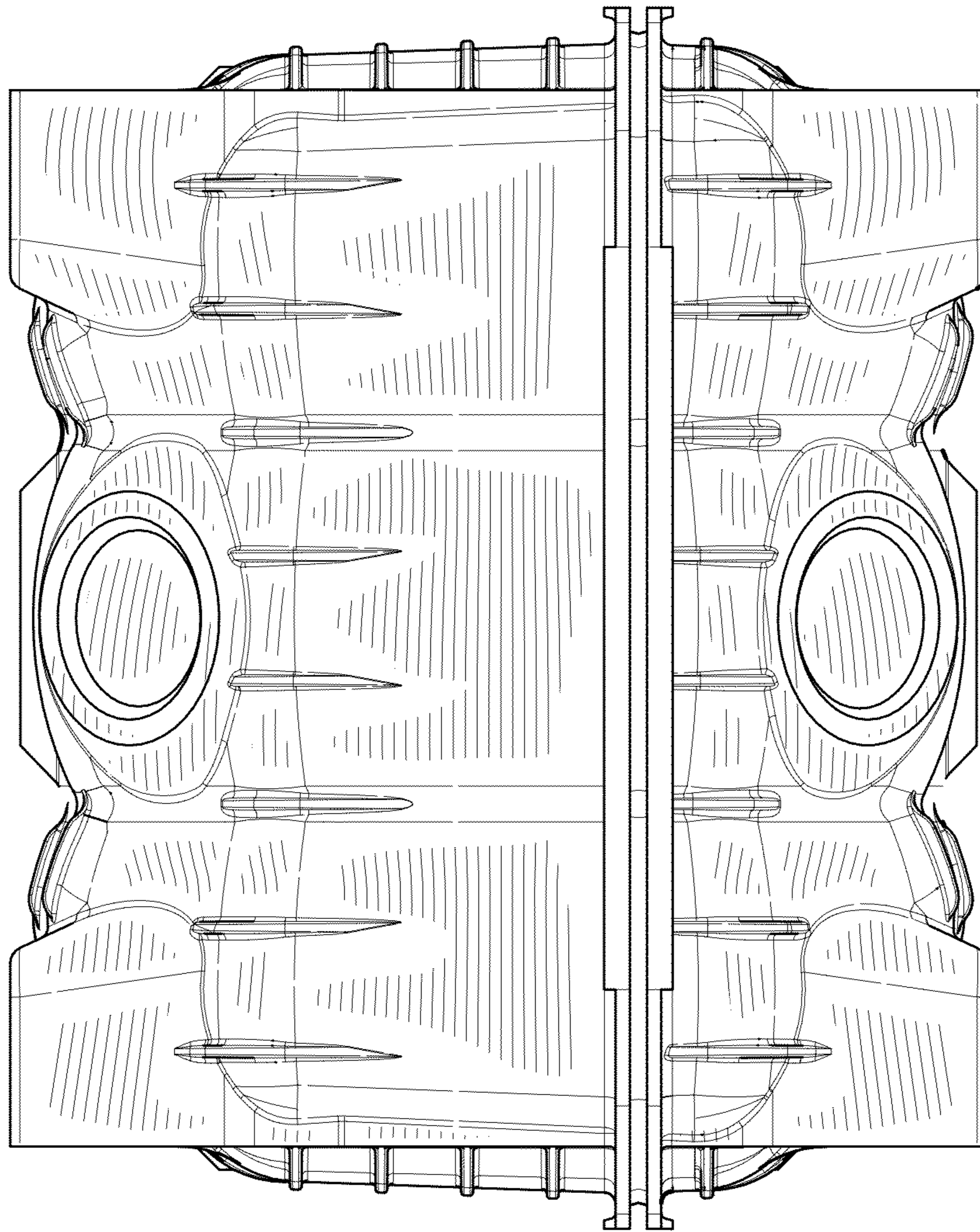


FIG. 6

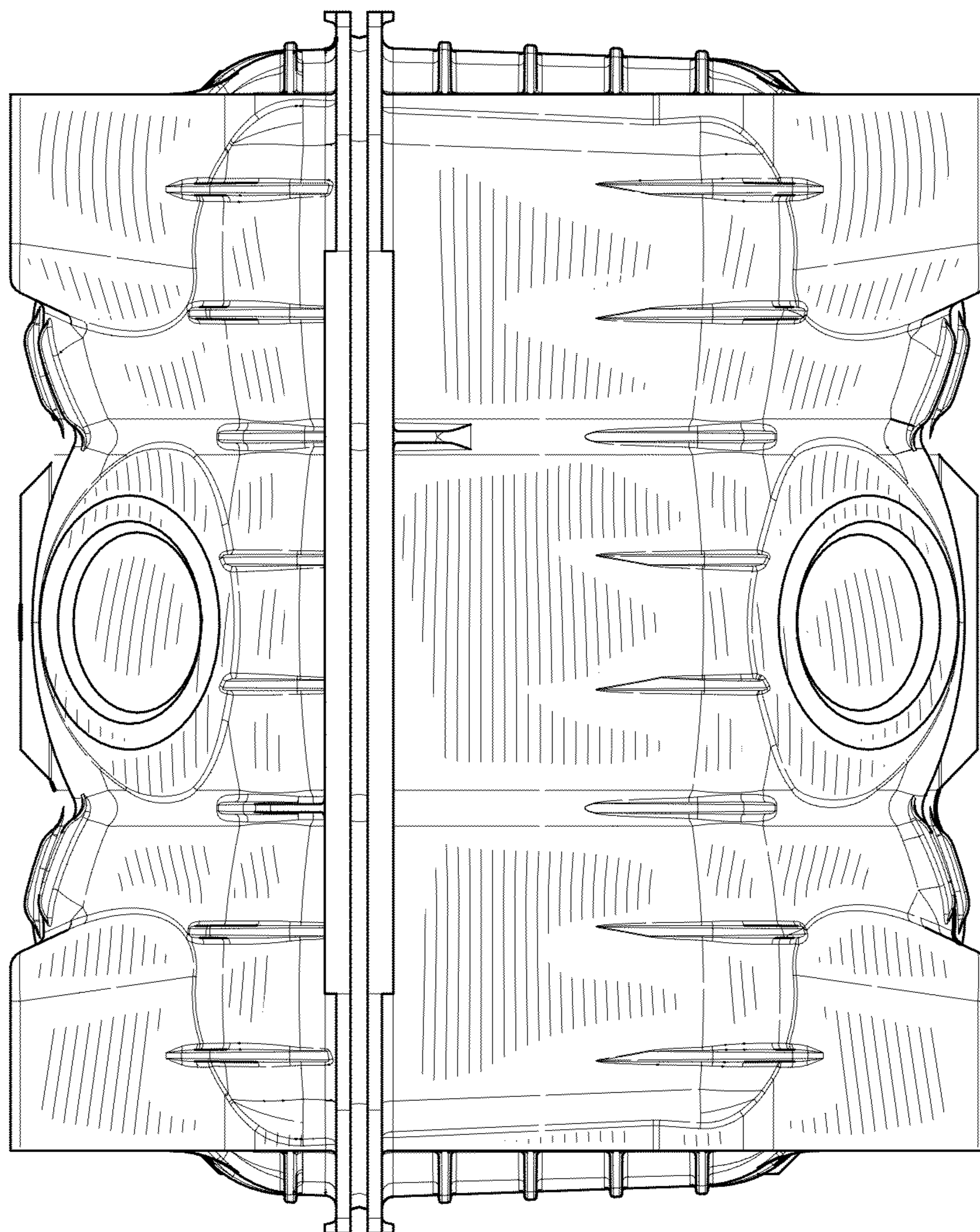


FIG. 7