



US00D698826S

(12) **United States Design Patent**  
**Hill**

(10) **Patent No.:** **US D698,826 S**

(45) **Date of Patent:** **\*\* Feb. 4, 2014**

(54) **MODULAR FLUID RESERVOIR**

(71) Applicant: **Mann+Hummel GmbH**, Ludwigsburg  
(DE)

(72) Inventor: **Colin Andrew Hill**, Mid Glamoregan  
(GB)

(73) Assignee: **Mann+Hummel GmbH**, Ludwigsburg  
(DE)

(\*\*) Term: **14 Years**

(21) Appl. No.: **29/435,754**

(22) Filed: **Oct. 27, 2012**

(51) **LOC (10) Cl.** ..... **15-01**

(52) **U.S. Cl.**  
USPC ..... **D15/5**

(58) **Field of Classification Search**  
USPC ..... D15/1-5; D3/273, 316, 50; 220/562,  
220/563, 564

See application file for complete search history.

(56) **References Cited**

**U.S. PATENT DOCUMENTS**

D331,094 S \* 11/1992 Sterett ..... D23/202  
7,779,862 B2 \* 8/2010 Sanderson et al. .... 137/574

2007/0141421 A1 \* 6/2007 Hobmeyr et al. .... 429/26  
2007/0272696 A1 \* 11/2007 Kallevig et al. .... 220/562  
2008/0061067 A1 \* 3/2008 Padget ..... 220/564  
2009/0294201 A1 \* 12/2009 Kamman ..... 180/417  
2010/0206882 A1 \* 8/2010 Wessels et al. .... 220/562

\* cited by examiner

*Primary Examiner* — T. Chase Nelson

*Assistant Examiner* — Ania Aman

(74) *Attorney, Agent, or Firm* — James Hasselbeck

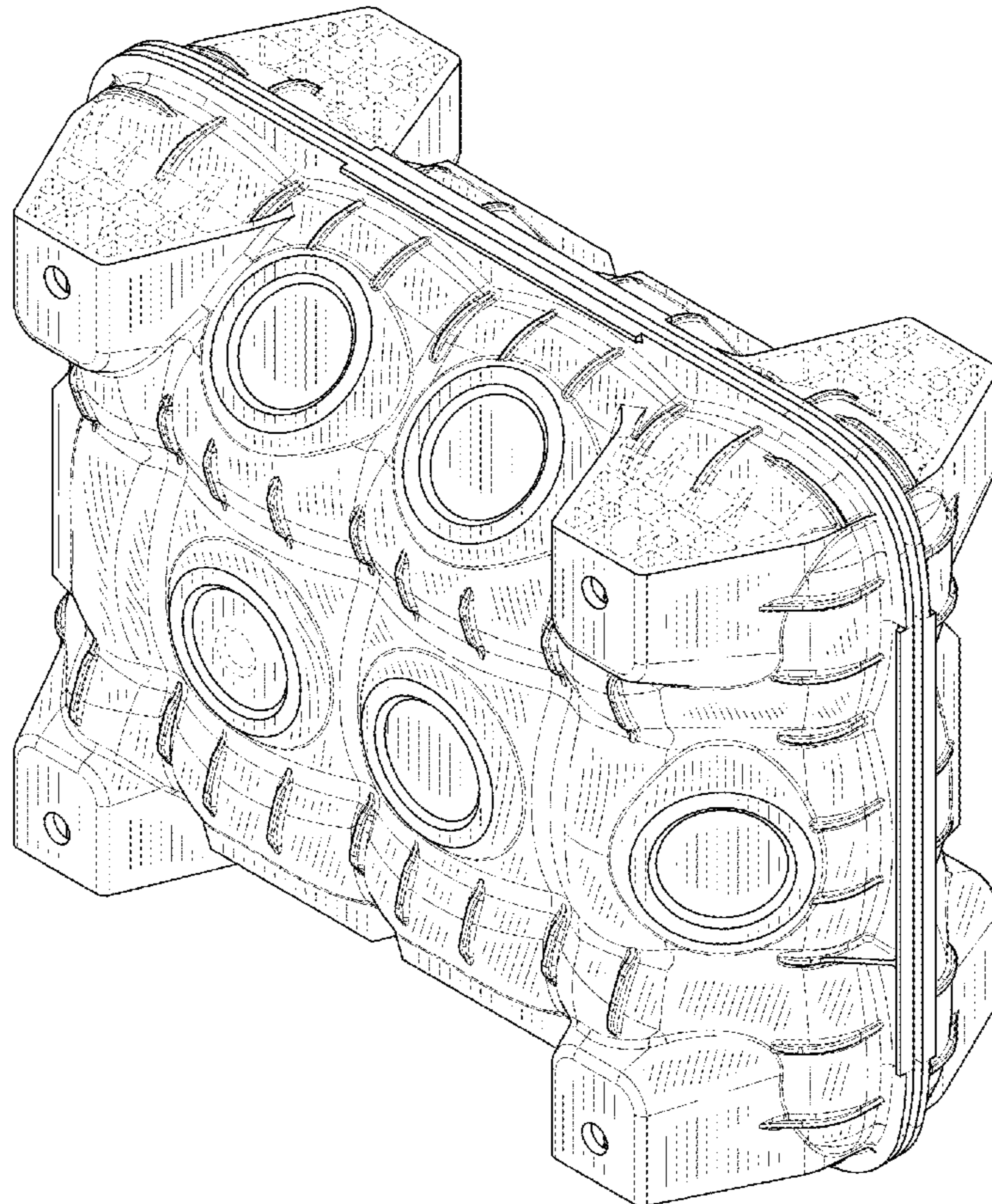
(57) **CLAIM**

I claim the ornamental design for a modular fluid reservoir, as shown and described.

**DESCRIPTION**

FIG. 1 is a perspective view of a modular fluid reservoir showing my new design;  
FIG. 2 is a front elevational view thereof;  
FIG. 3 is a rear elevational view thereof;  
FIG. 4 is a left side elevational view thereof;  
FIG. 5 is a right side elevational view thereof;  
FIG. 6 is a top plan view thereof; and,  
FIG. 7 is a bottom plan view thereof.  
The broken line shown in the drawings are for the purpose of illustrating portions of the article that form no part of the claimed design.

**1 Claim, 7 Drawing Sheets**



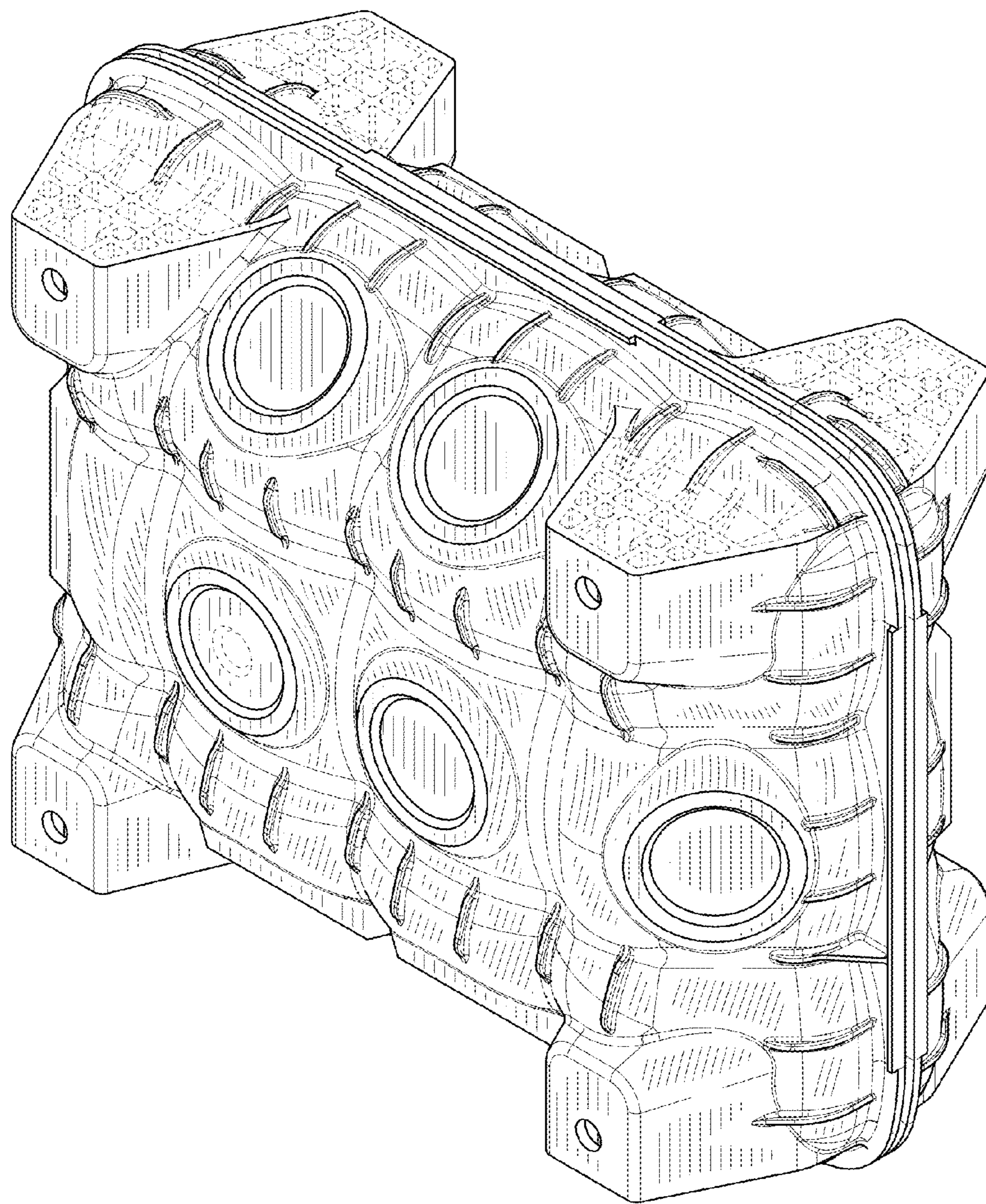


FIG. 1

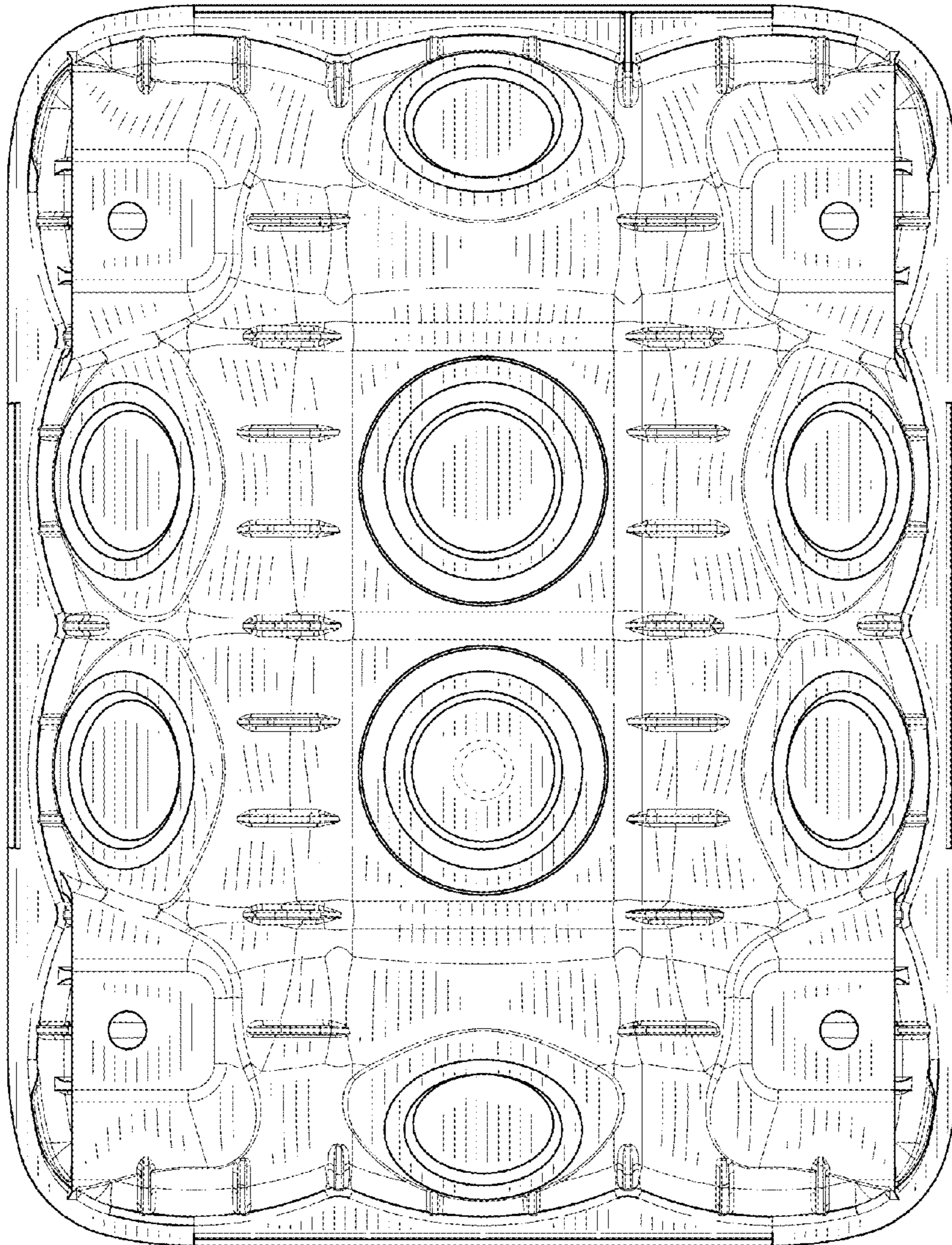


FIG. 2

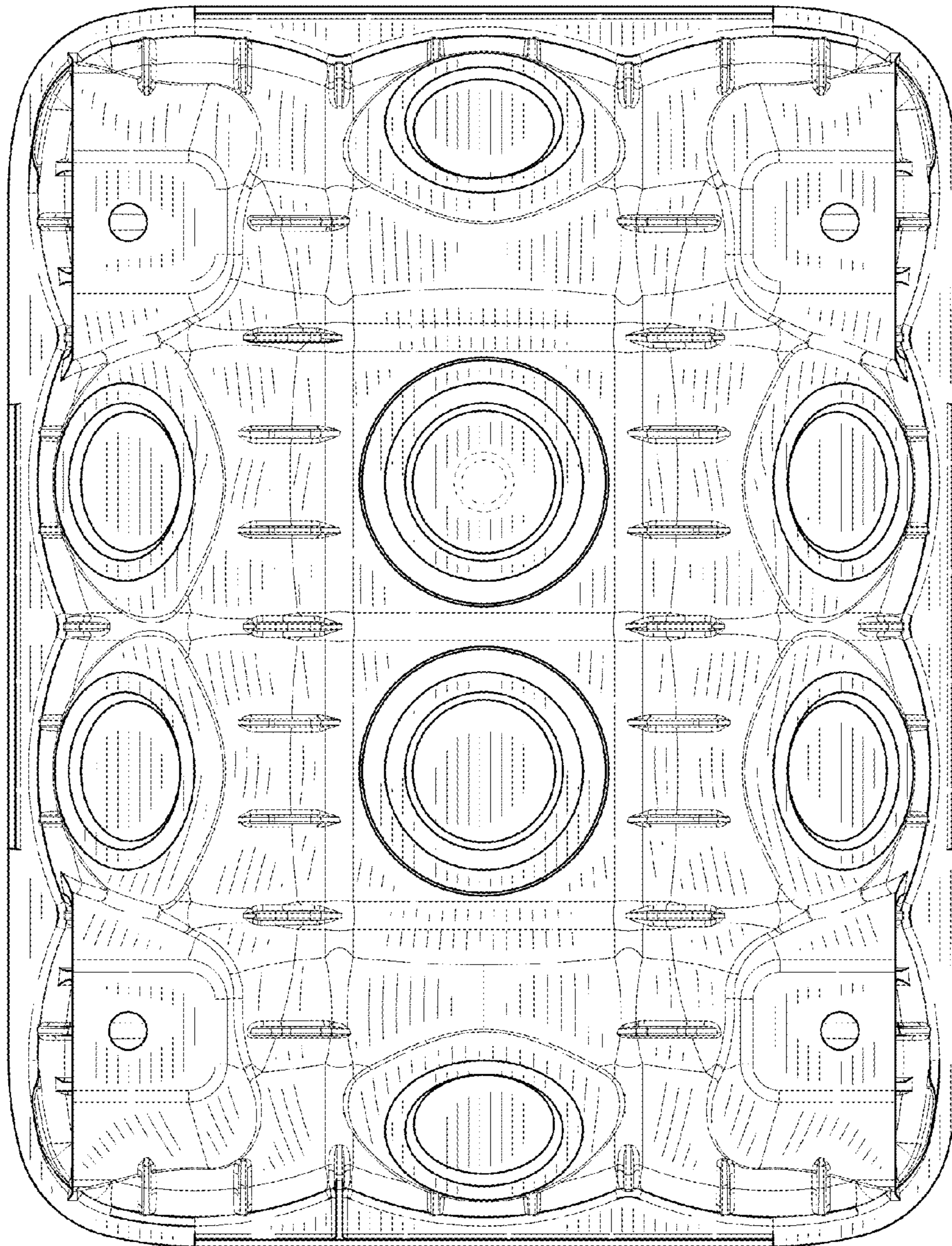


FIG. 3

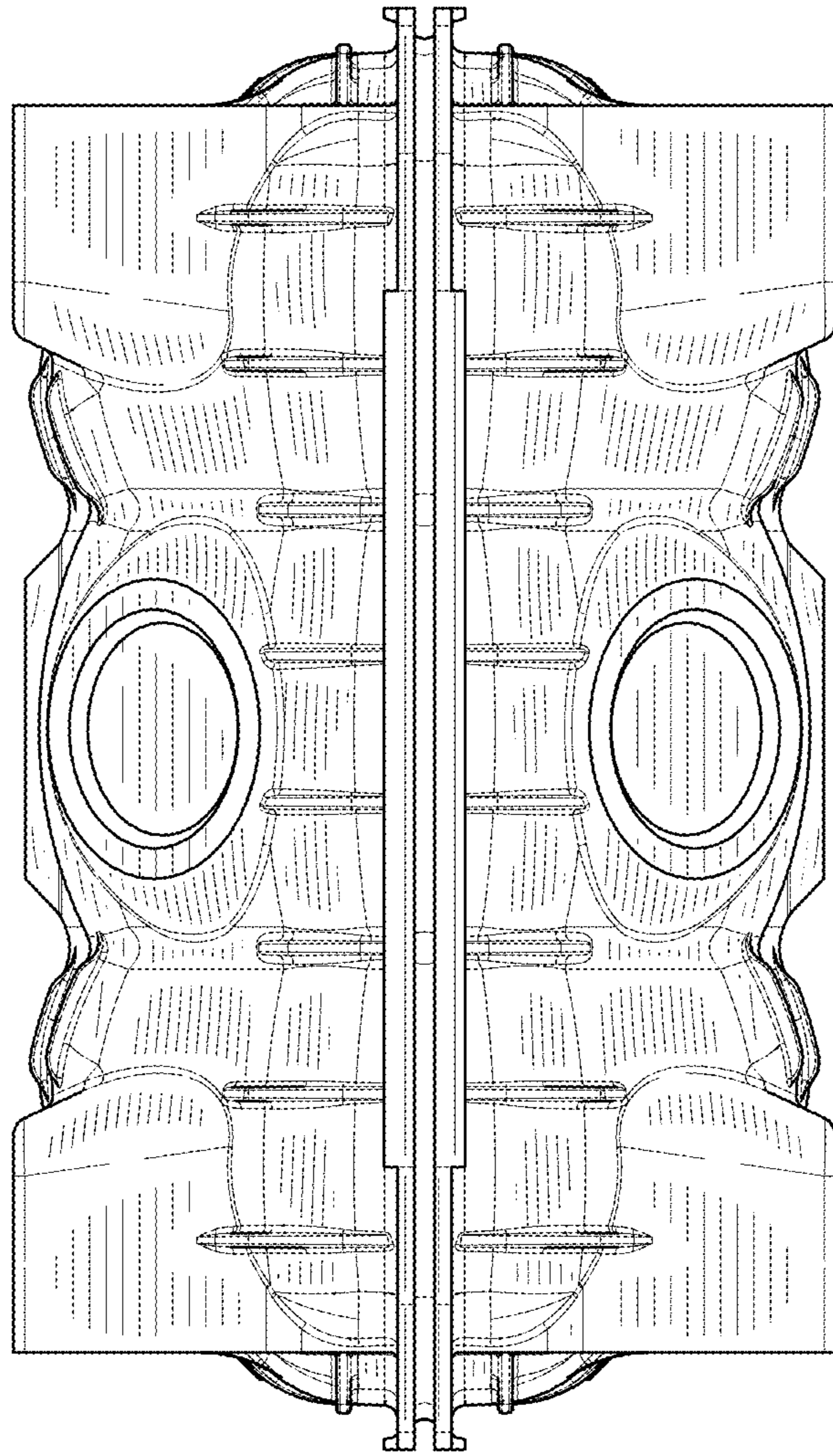


FIG. 4

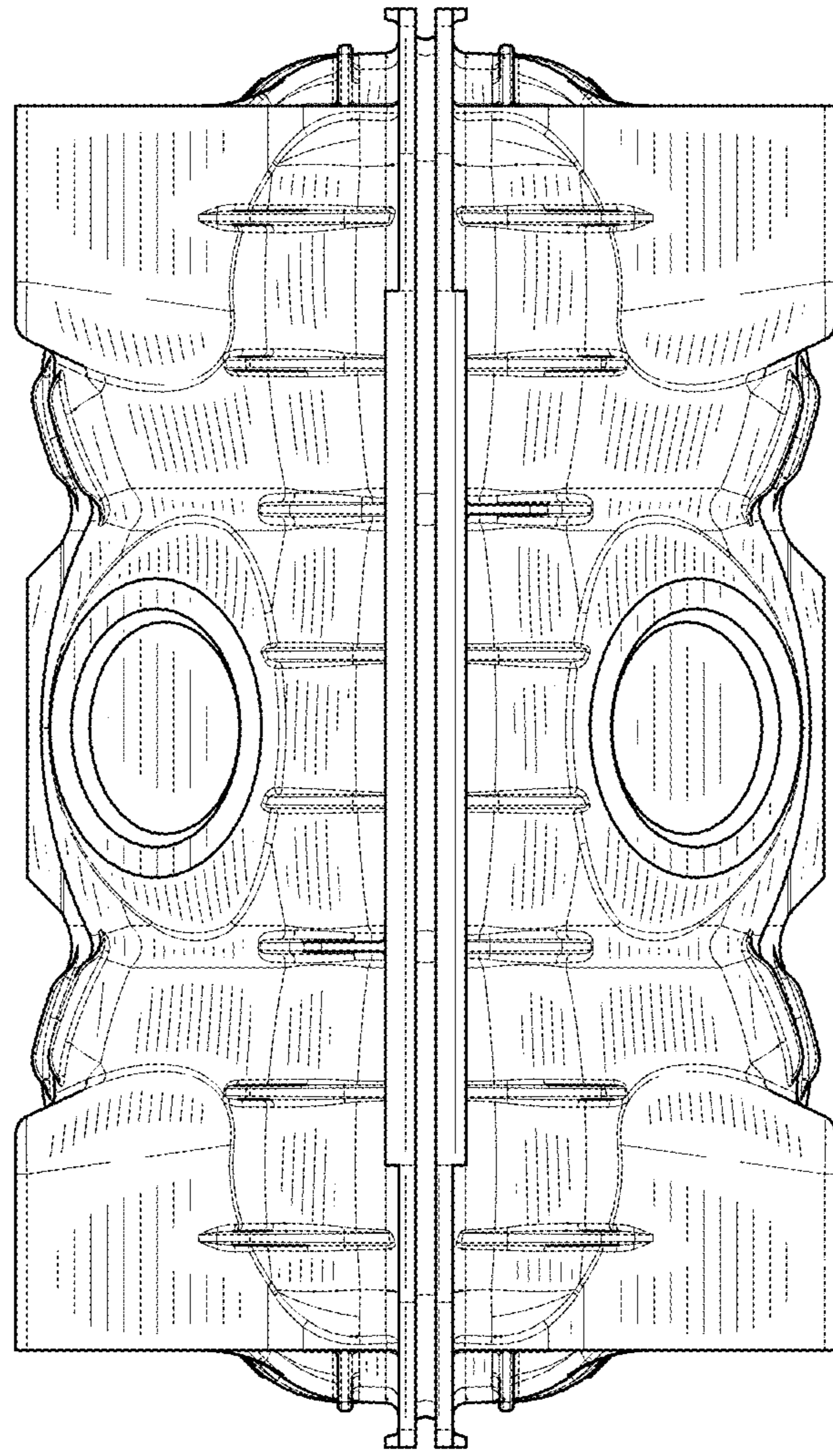


FIG. 5

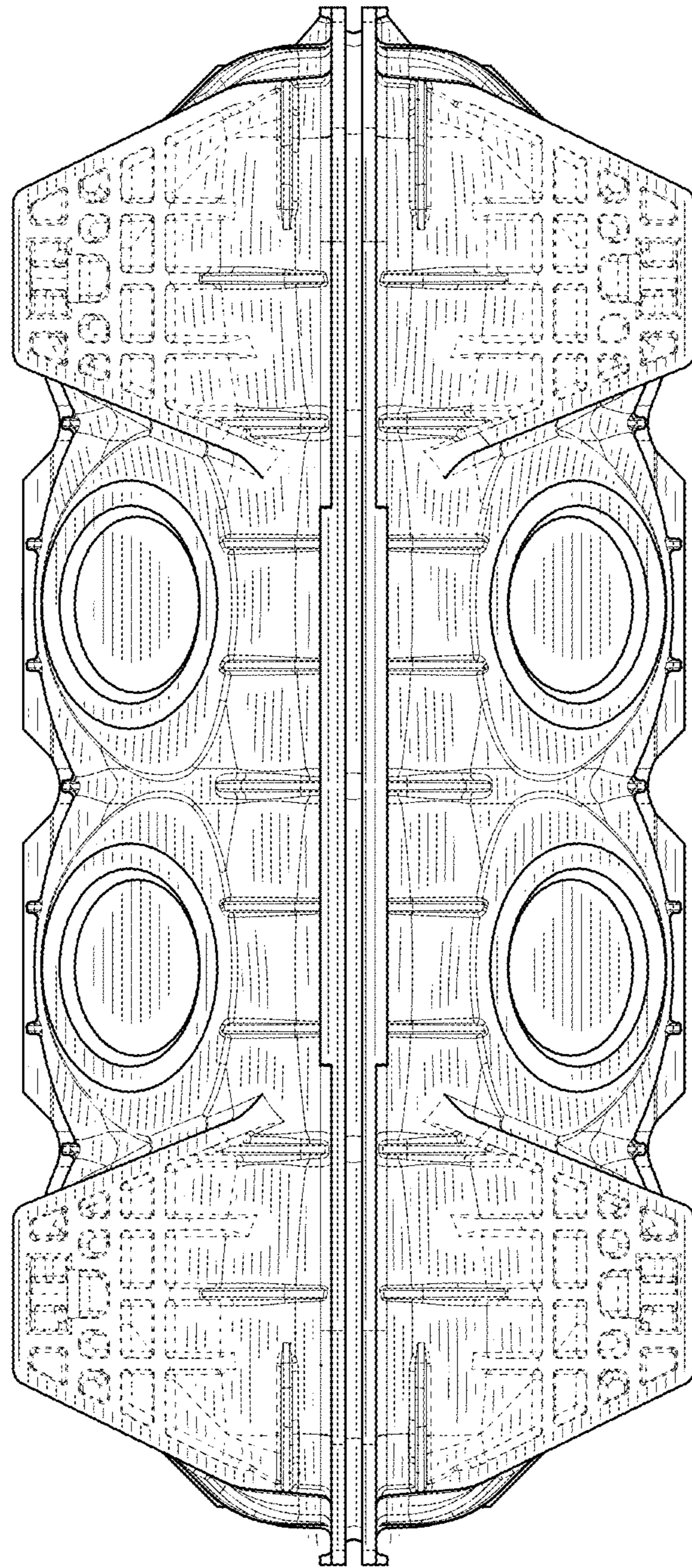


FIG. 6

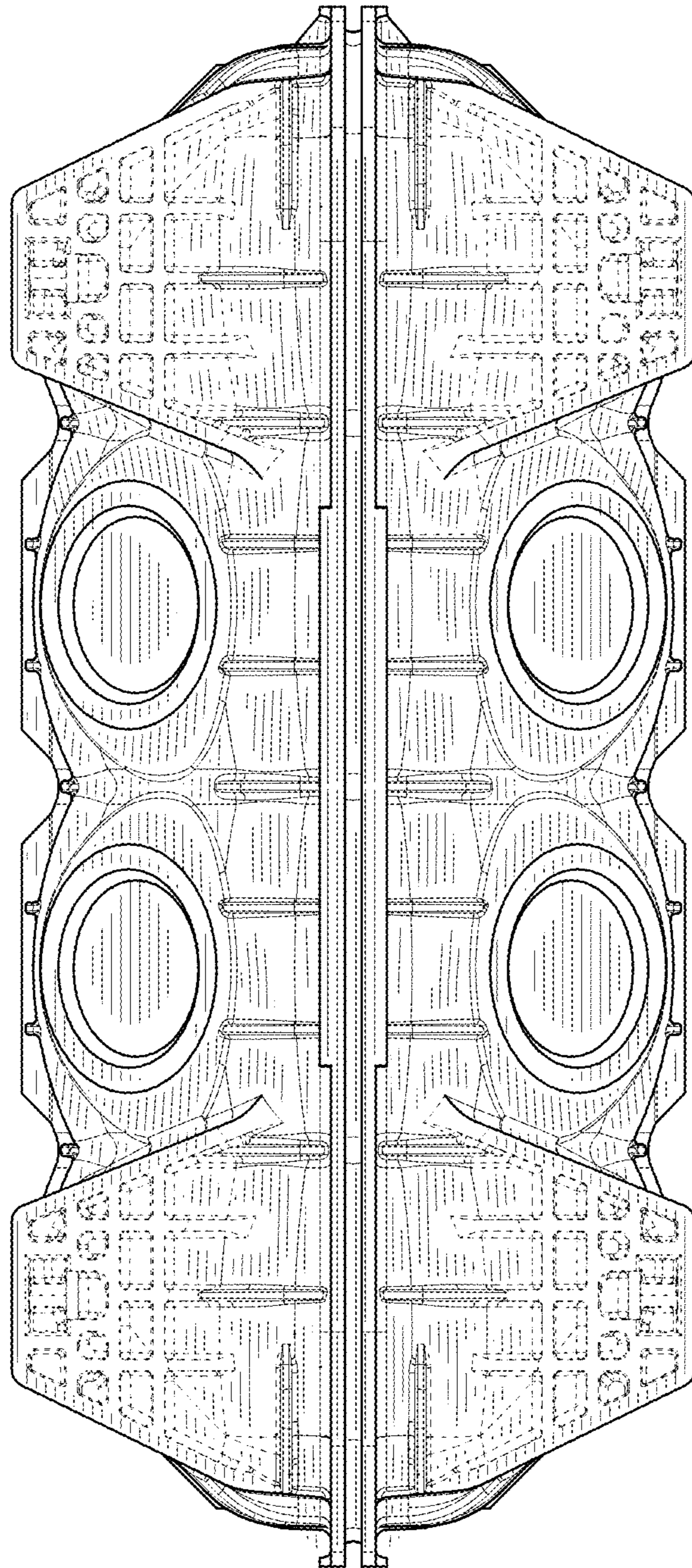


FIG. 7