



US00D698824S

(12) **United States Design Patent**
Hill

(10) **Patent No.:** **US D698,824 S**

(45) **Date of Patent:** **** Feb. 4, 2014**

- (54) **MODULAR FLUID RESERVOIR**
- (71) Applicant: **Mann+Hummel GmbH**, Ludwigsburg (DE)
- (72) Inventor: **Colin Andrew Hill**, Mid Glamorgan (GB)
- (73) Assignee: **Mann+Hummel GmbH**, Ludwigsburg (DE)
- (**) Term: **14 Years**
- (21) Appl. No.: **29/435,752**
- (22) Filed: **Oct. 27, 2012**
- (51) **LOC (10) Cl.** **15-01**
- (52) **U.S. Cl.**
USPC **D15/5**
- (58) **Field of Classification Search**
USPC D15/1-5; D3/273, 316, 50; 220/562, 220/563, 564
See application file for complete search history.

2007/0141421	A1 *	6/2007	Hobmeyr et al.	429/26
2007/0272696	A1 *	11/2007	Kallevig et al.	220/562
2008/0061067	A1 *	3/2008	Padget	220/564
2009/0294201	A1 *	12/2009	Kamman	180/417
2010/0206882	A1 *	8/2010	Wessels et al.	220/562

* cited by examiner

Primary Examiner — T. Chase Nelson

Assistant Examiner — Ania Aman

(74) *Attorney, Agent, or Firm* — James Hasselbeck

(57) **CLAIM**

I claim the ornamental design for a modular fluid reservoir, as shown and described.

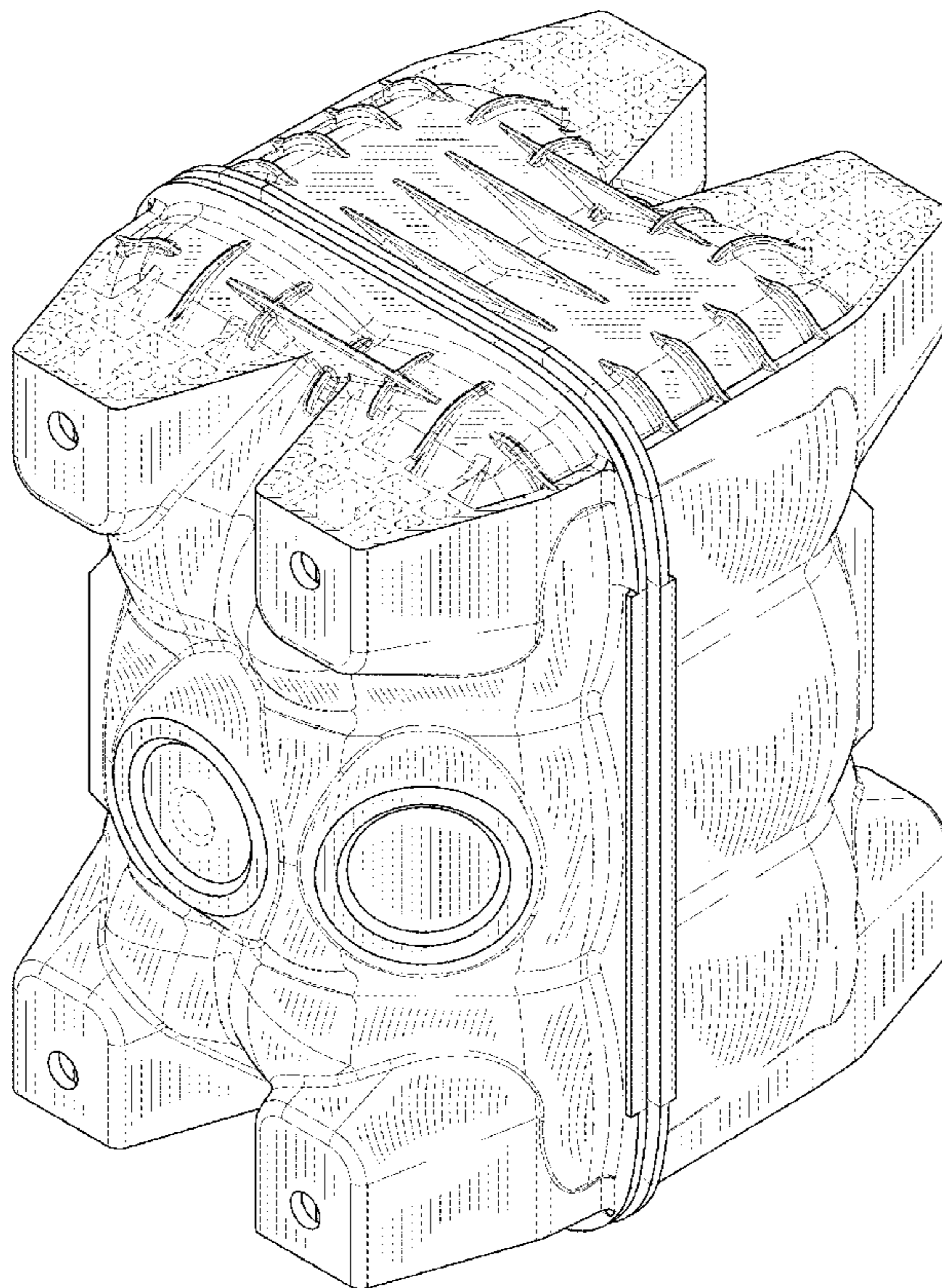
DESCRIPTION

FIG. 1 is a perspective view of a modular fluid reservoir showing my new design;
 FIG. 2 is a front elevational view thereof;
 FIG. 3 is a rear elevational view thereof;
 FIG. 4 is a left side elevational view thereof;
 FIG. 5 is a right side elevational view thereof;
 FIG. 6 is a top plan view thereof; and,
 FIG. 7 is a bottom plan view thereof.
 The broken line shown in the drawings are for the purpose of illustrating portions of the article that form no part of the claimed design.

(56) **References Cited**
U.S. PATENT DOCUMENTS

D331,094	S *	11/1992	Sterett	D23/202
7,779,862	B2 *	8/2010	Sanderson et al.	137/574

1 Claim, 7 Drawing Sheets



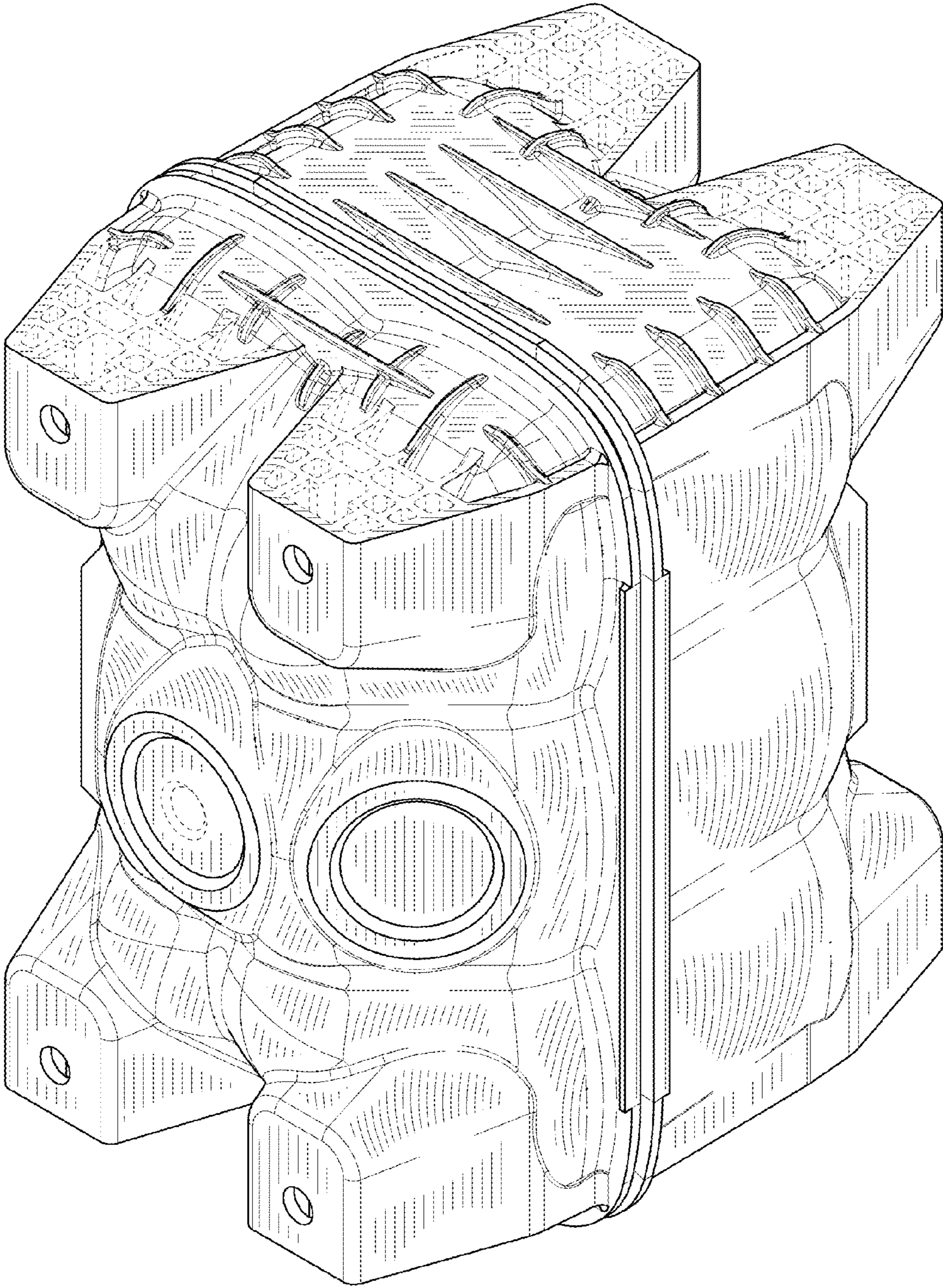


FIG. 1

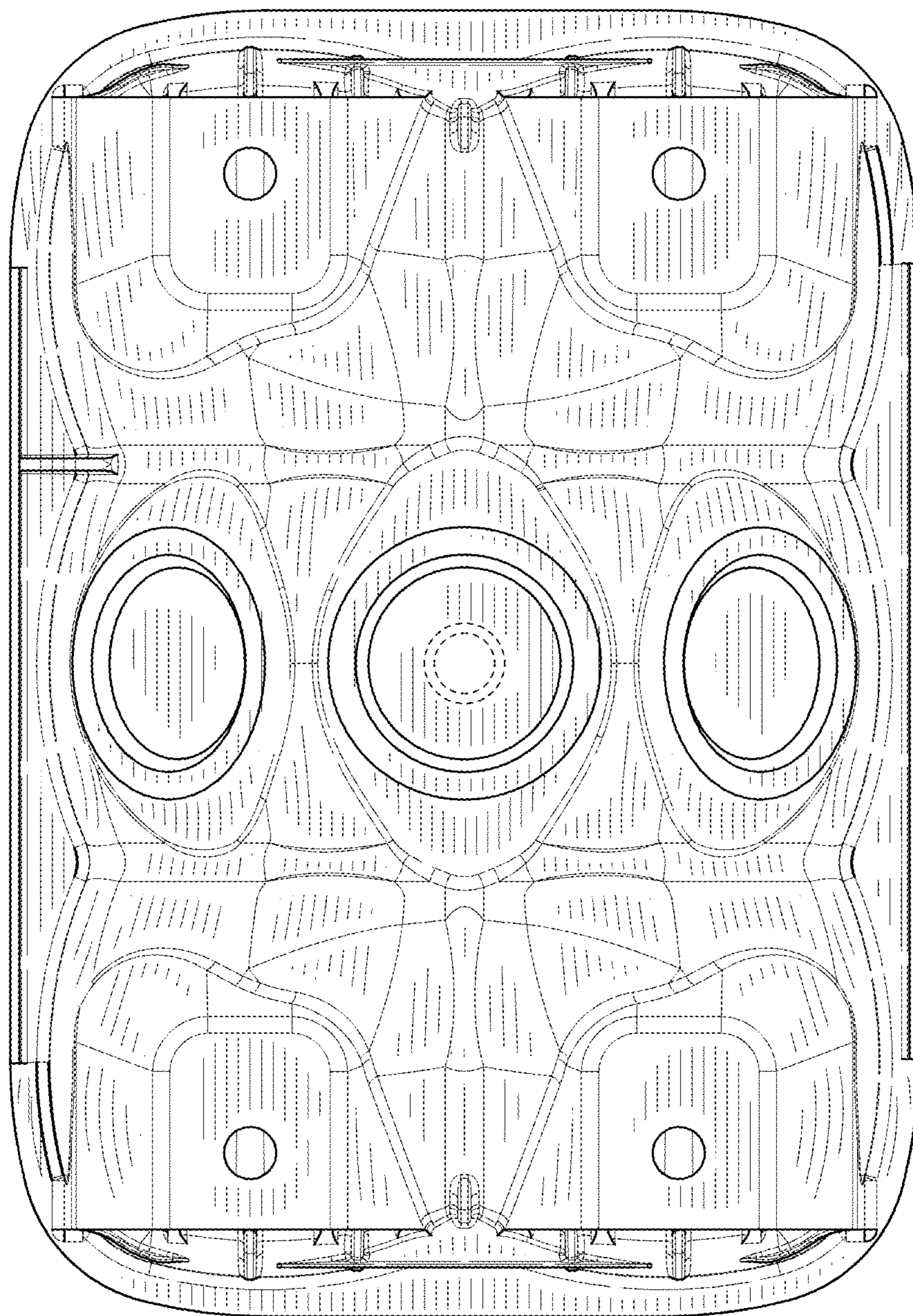


FIG. 2

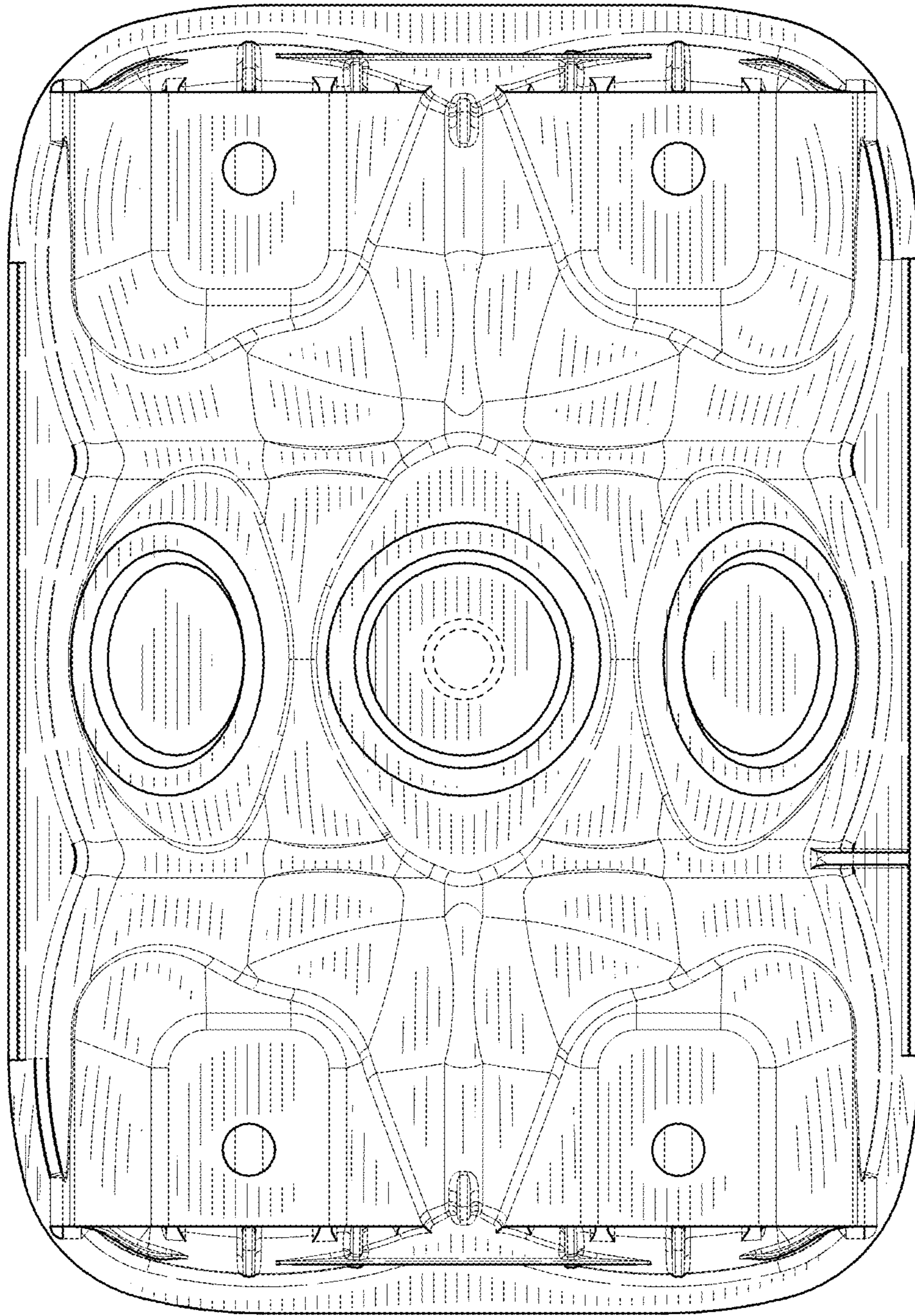


FIG. 3

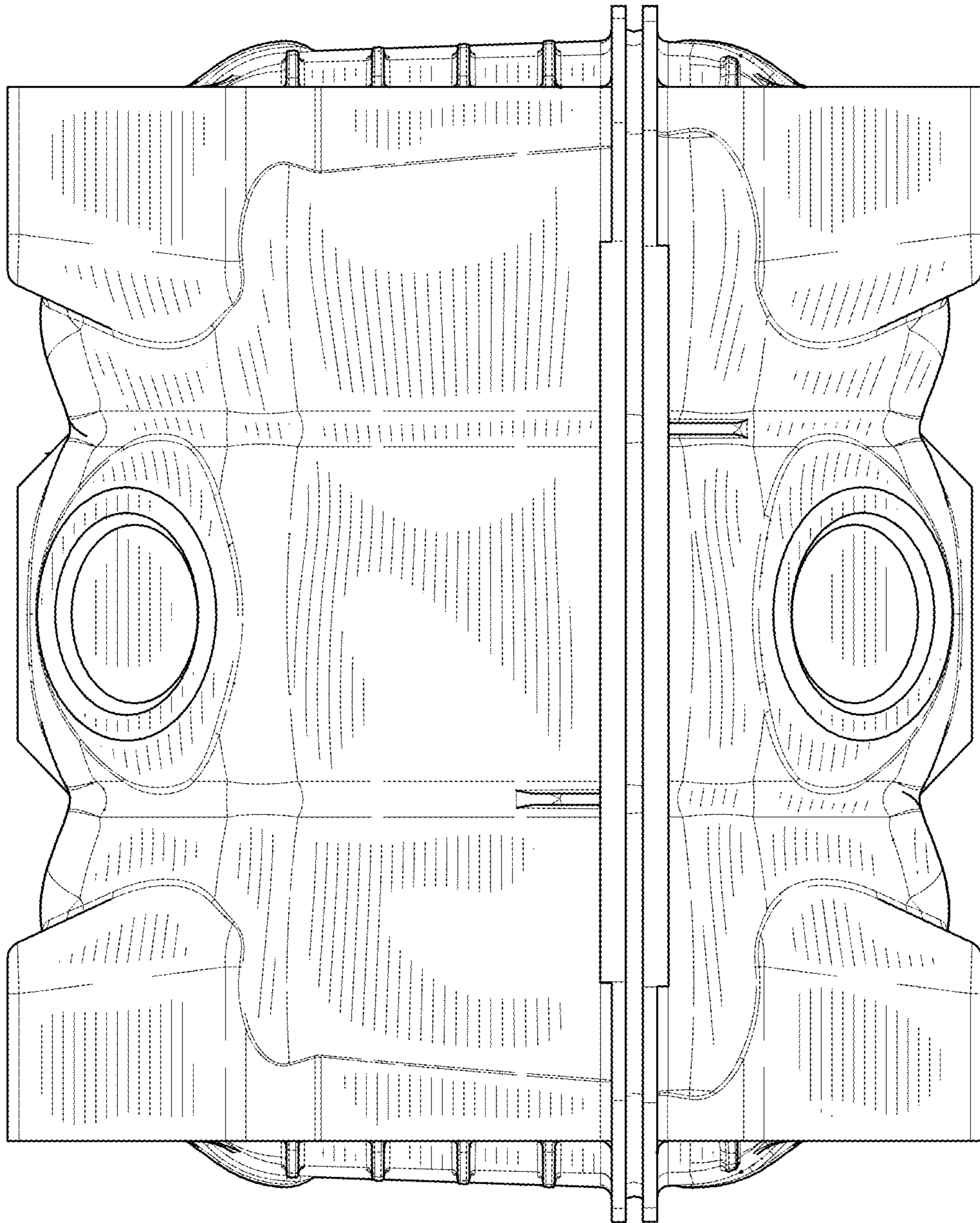


FIG. 4

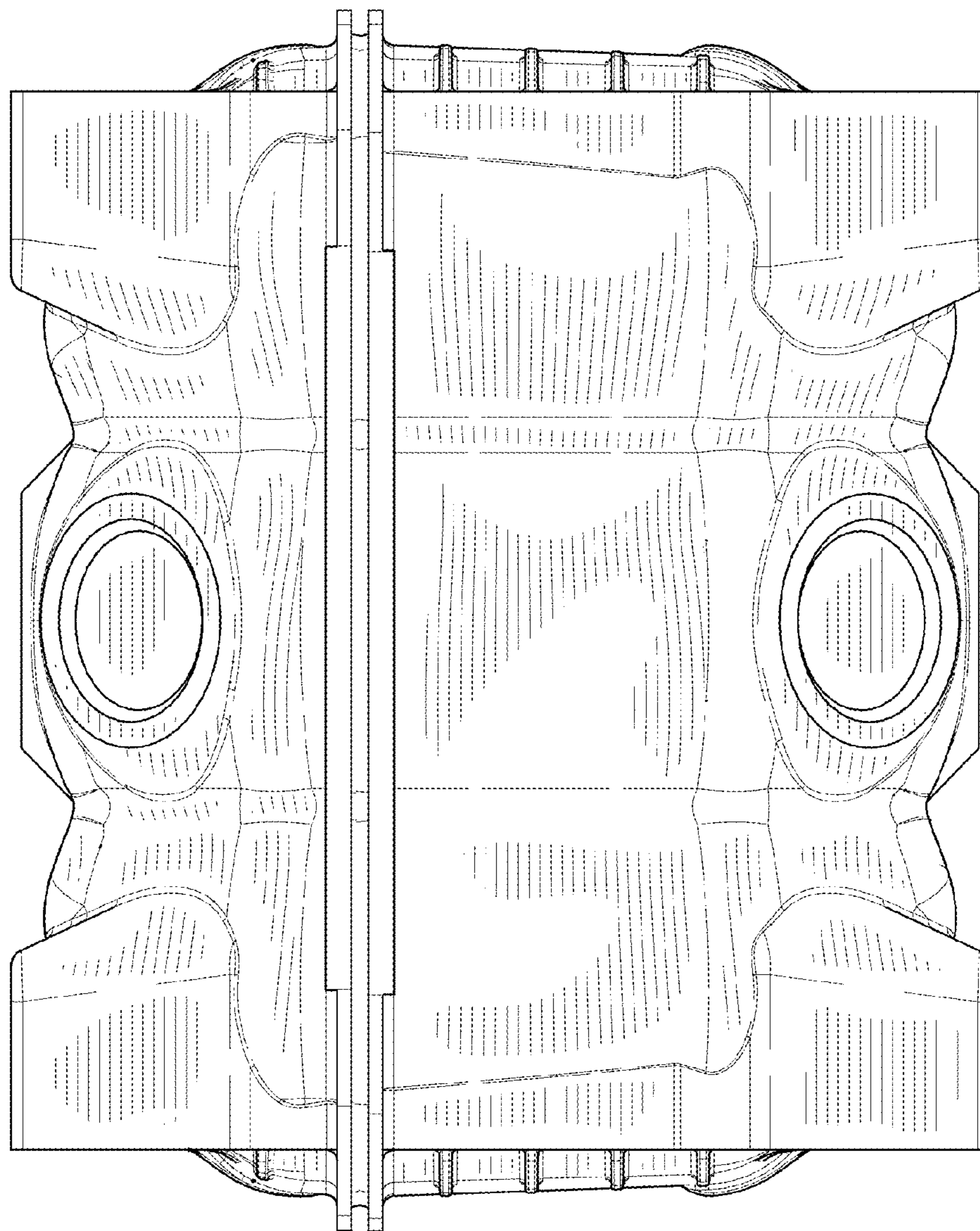


FIG. 5

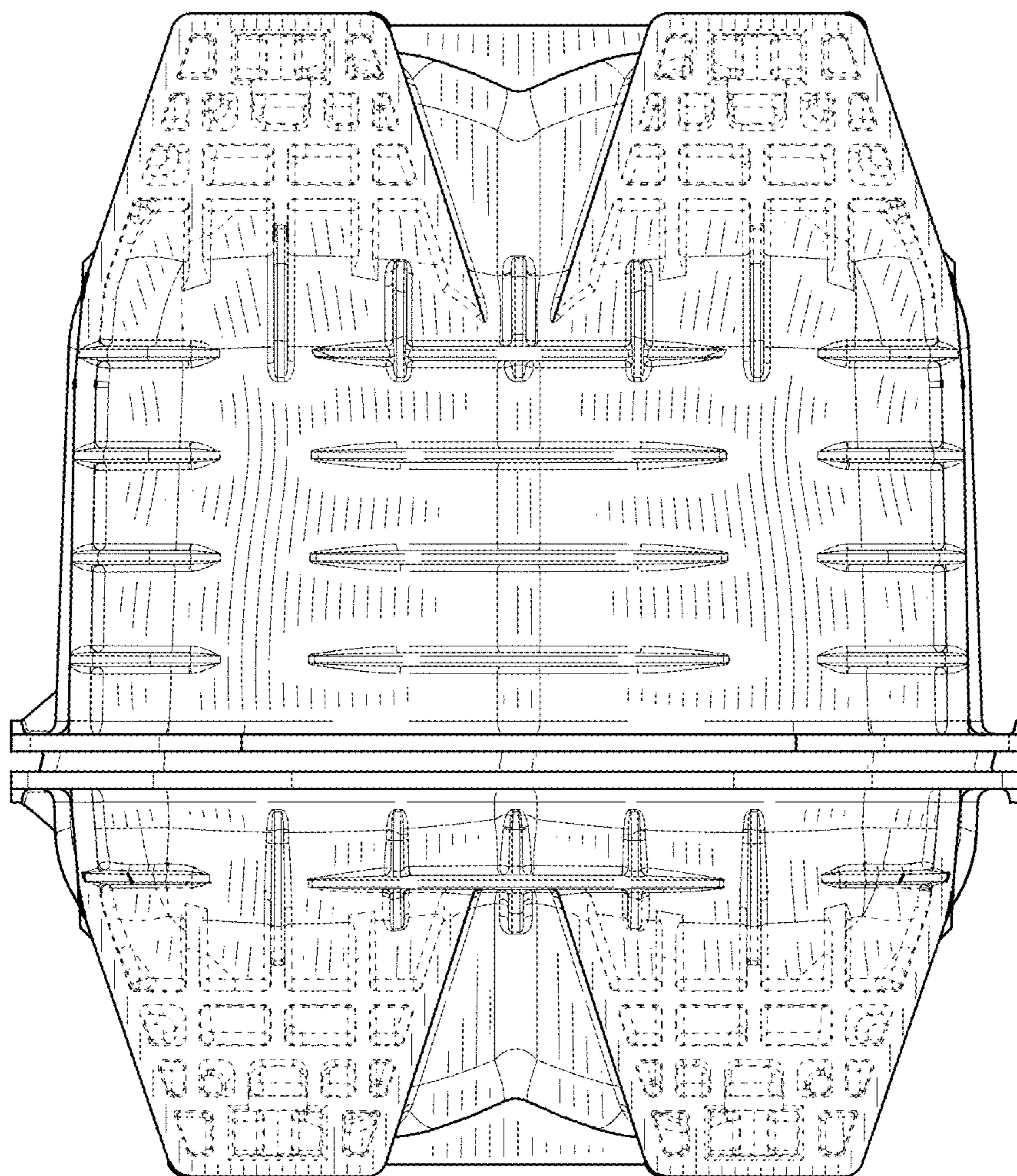


FIG. 6

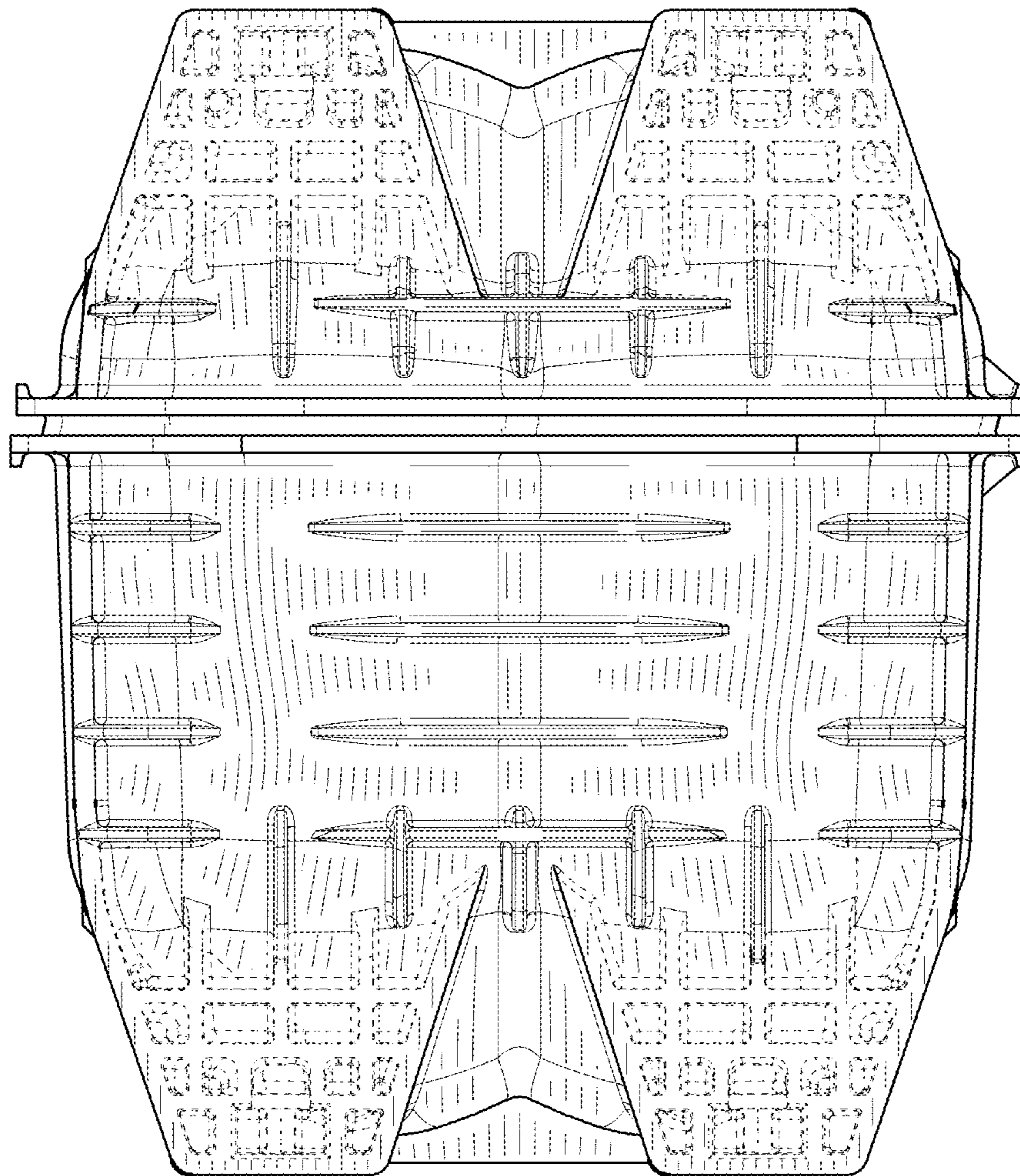


FIG. 7