

US00D698821S

(12) **United States Design Patent**
Spiegel

(10) **Patent No.:** **US D698,821 S**

(45) **Date of Patent:** **** Feb. 4, 2014**

- (54) **VALVE HANDLE**
- (75) Inventor: **Kurt Spiegel**, Bronx, NY (US)
- (73) Assignee: **Alfa Wassermann, Inc.**, West Caldwell, NJ (US)
- (**) Term: **14 Years**
- (21) Appl. No.: **29/432,399**
- (22) Filed: **Sep. 14, 2012**
- (51) **LOC (10) Cl.** **15-01**
- (52) **U.S. Cl.**
USPC **D15/5**
- (58) **Field of Classification Search**
USPC D15/143, 5, 1, 2, 3, 4, 6; D23/233, 250;
D13/147; 251/129.01, 129.15
See application file for complete search history.

D472,962 S	4/2003	Tripp et al.	D23/252
D503,216 S	3/2005	Berkman et al.	D23/250
D505,994 S	6/2005	Blomstrom	D23/252
D538,895 S	3/2007	Sallick et al.	D23/250
D579,523 S	10/2008	Montgomery et al.	D23/250
D601,586 S	10/2009	Stamler	
D613,824 S	4/2010	Sofield	D23/250
D615,626 S	5/2010	Tippens et al.	D23/252
2006/0225792 A1	10/2006	Stamler	

* cited by examiner

Primary Examiner — T. Chase Nelson

Assistant Examiner — Ania Aman

(74) *Attorney, Agent, or Firm* — Ohlandt, Greeley, Ruggiero & Perle, LLP

(57) **CLAIM**

The ornamental design for the valve handle, as shown and described.

DESCRIPTION

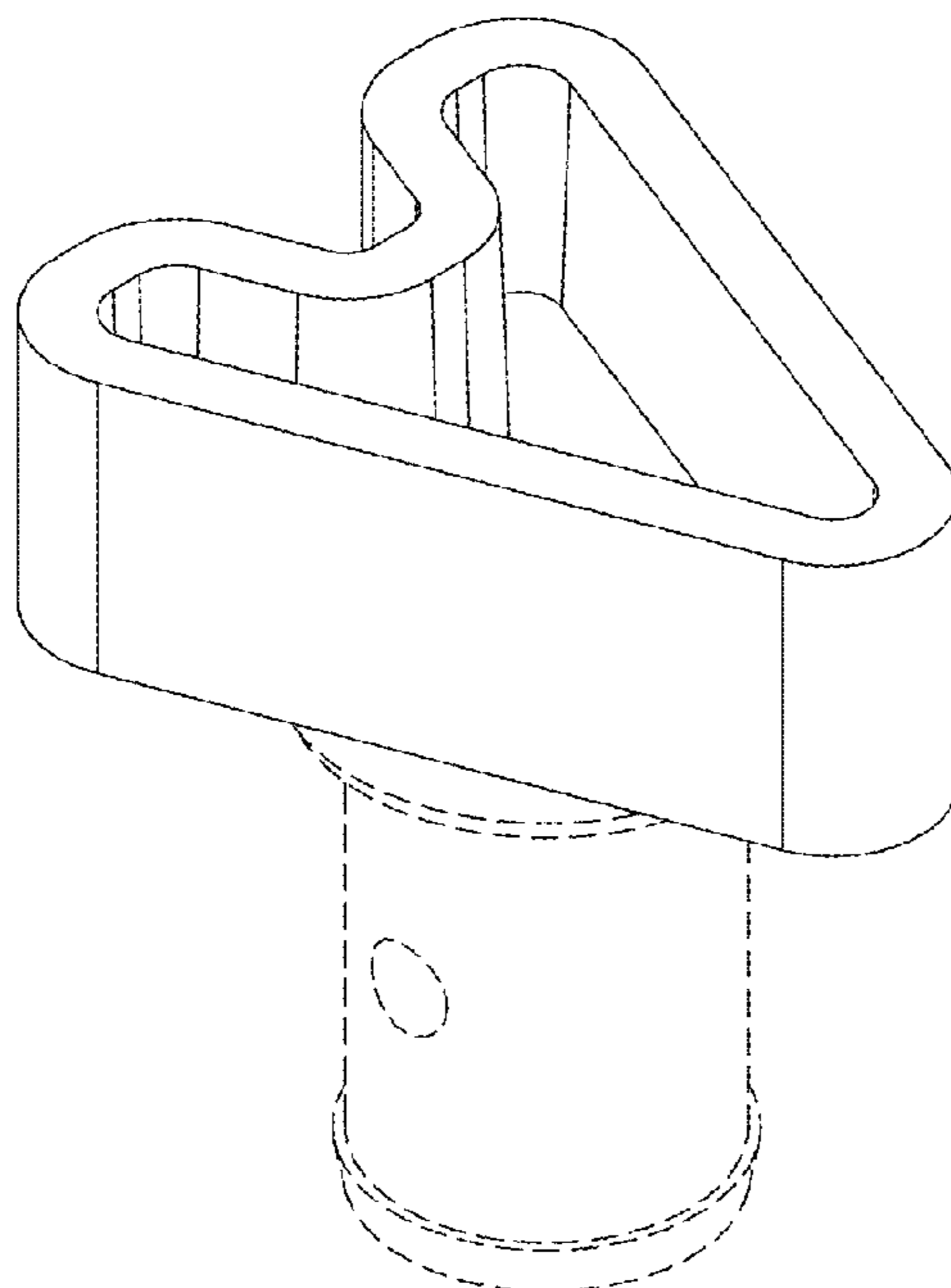
FIG. 1 is a front perspective view of a valve handle according to the present disclosure;
 FIG. 2 is a rear perspective view of the valve handle of FIG. 1;
 FIG. 3 is a front view of the valve handle of FIG. 1;
 FIG. 4 is a back view of the valve handle of FIG. 1;
 FIG. 5 is a first side view of the valve handle of FIG. 1, the opposite side being a mirror image thereof;
 FIG. 6 is a first end view of the valve handle of FIG. 1; and,
 FIG. 7 is a second, opposite end view of the valve handle of FIG. 1.
 The broken lines in the drawings illustrating environmental structure or boundaries that form no part of the claimed design.

(56) **References Cited**

U.S. PATENT DOCUMENTS

D242,619 S	12/1976	Bake et al.	D23/28
D242,921 S	1/1977	Bake et al.	D23/28
D272,468 S	1/1984	Bulgarelli et al.	D24/99
D274,087 S	5/1984	Yanagi	D23/30
D330,319 S	10/1992	Linderman et al.	D8/70
D358,200 S	5/1995	Cerola	D23/252
D372,250 S	7/1996	Otsuka et al.	
5,823,228 A	10/1998	Chou	
D432,634 S	10/2000	Higgins et al.	D23/250
D433,105 S	10/2000	Mirth et al.	D23/250
D459,444 S	6/2002	Chen	D23/250
D460,529 S	7/2002	Caplow	D23/252
D462,111 S *	8/2002	Turnau et al.	D23/252

1 Claim, 3 Drawing Sheets



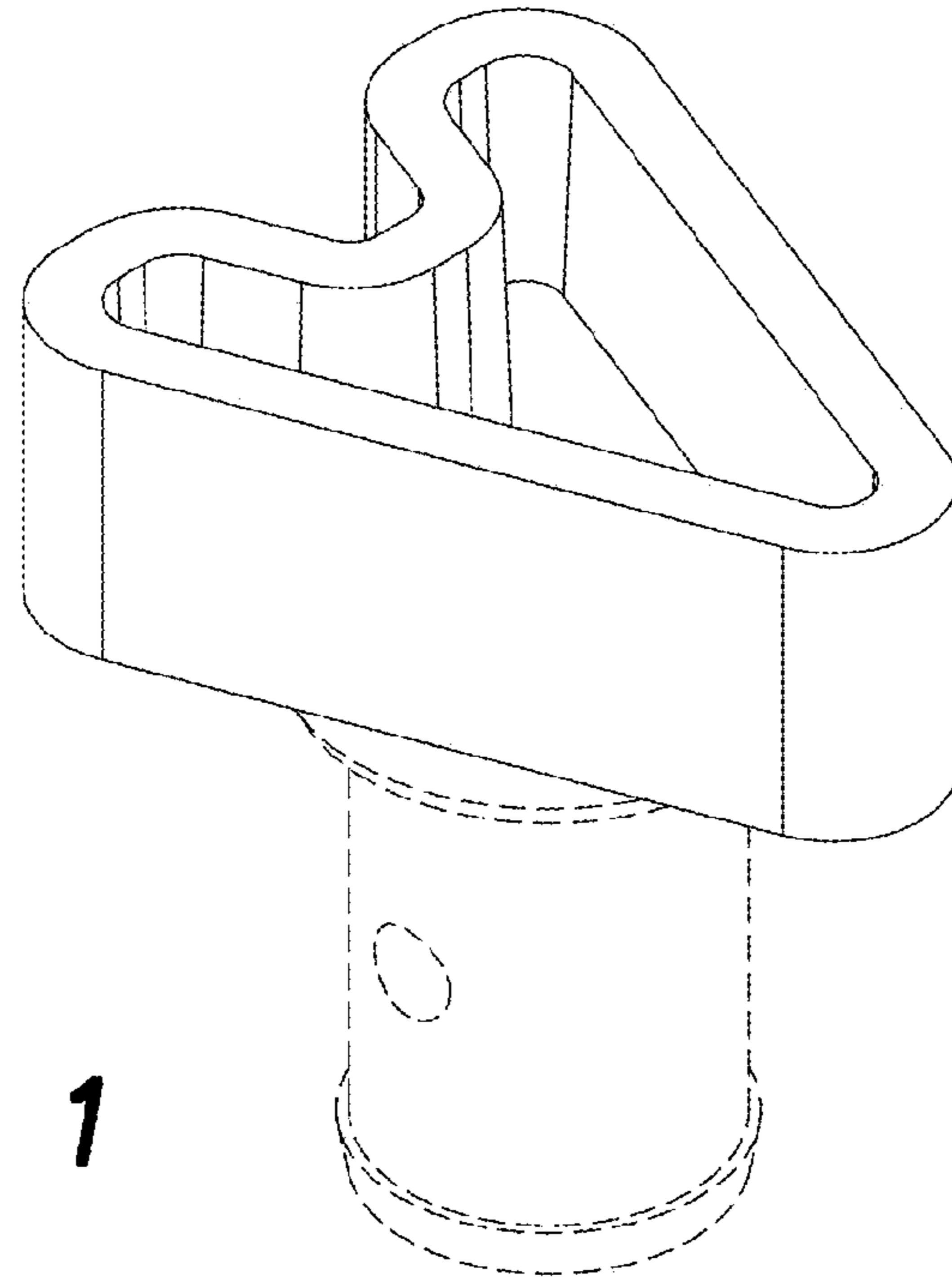


FIG. 1

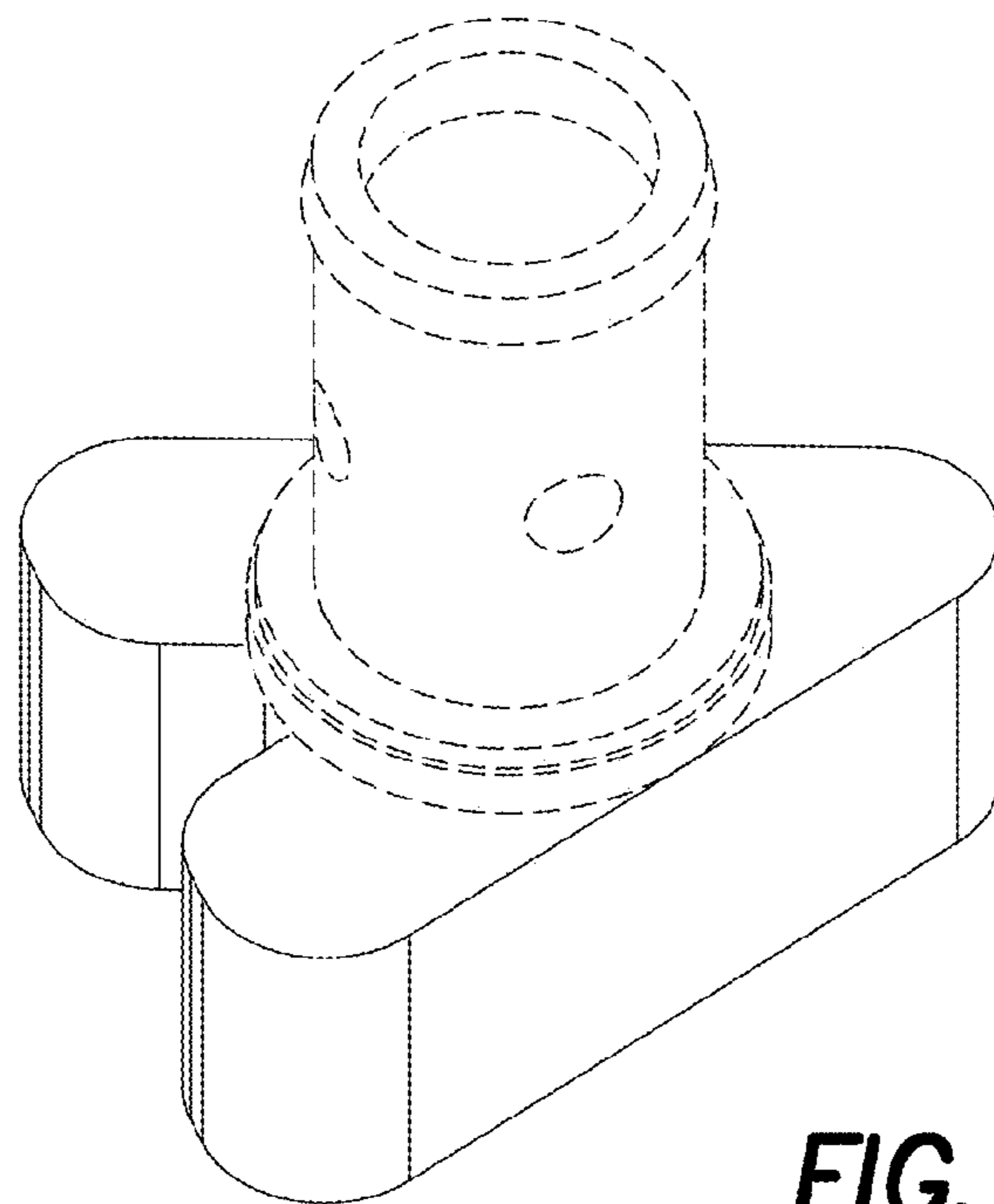


FIG. 2

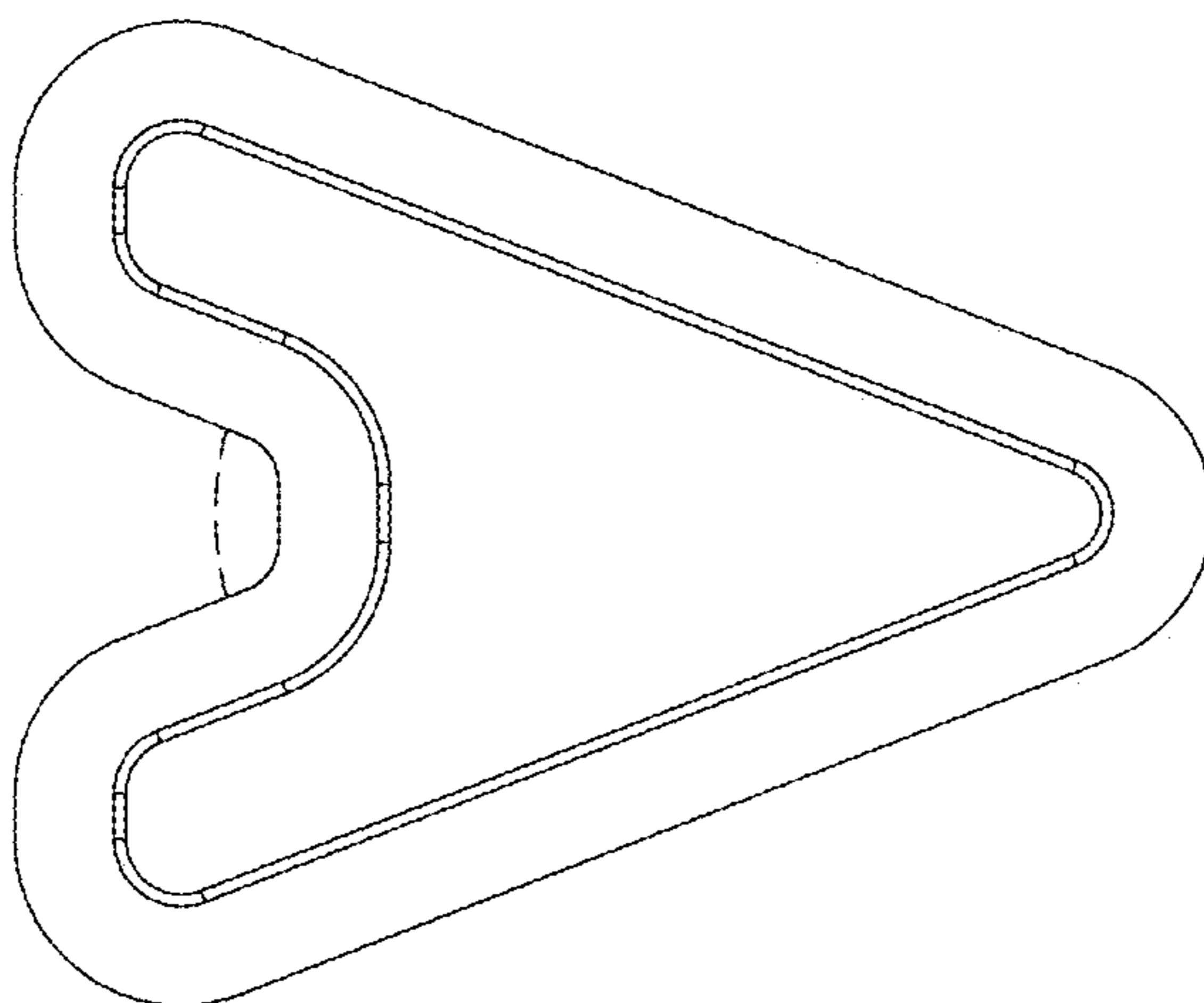


FIG. 3

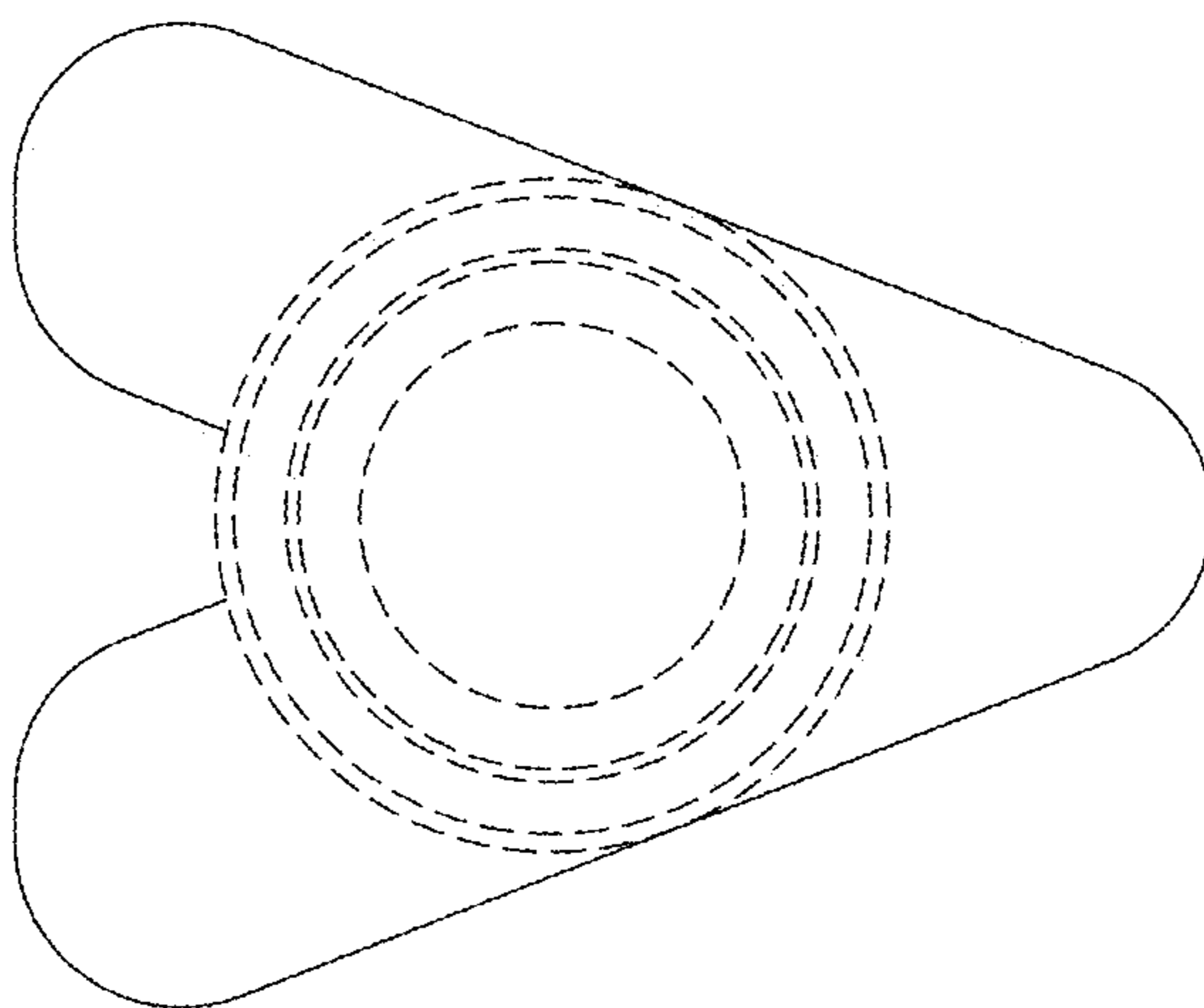


FIG. 4

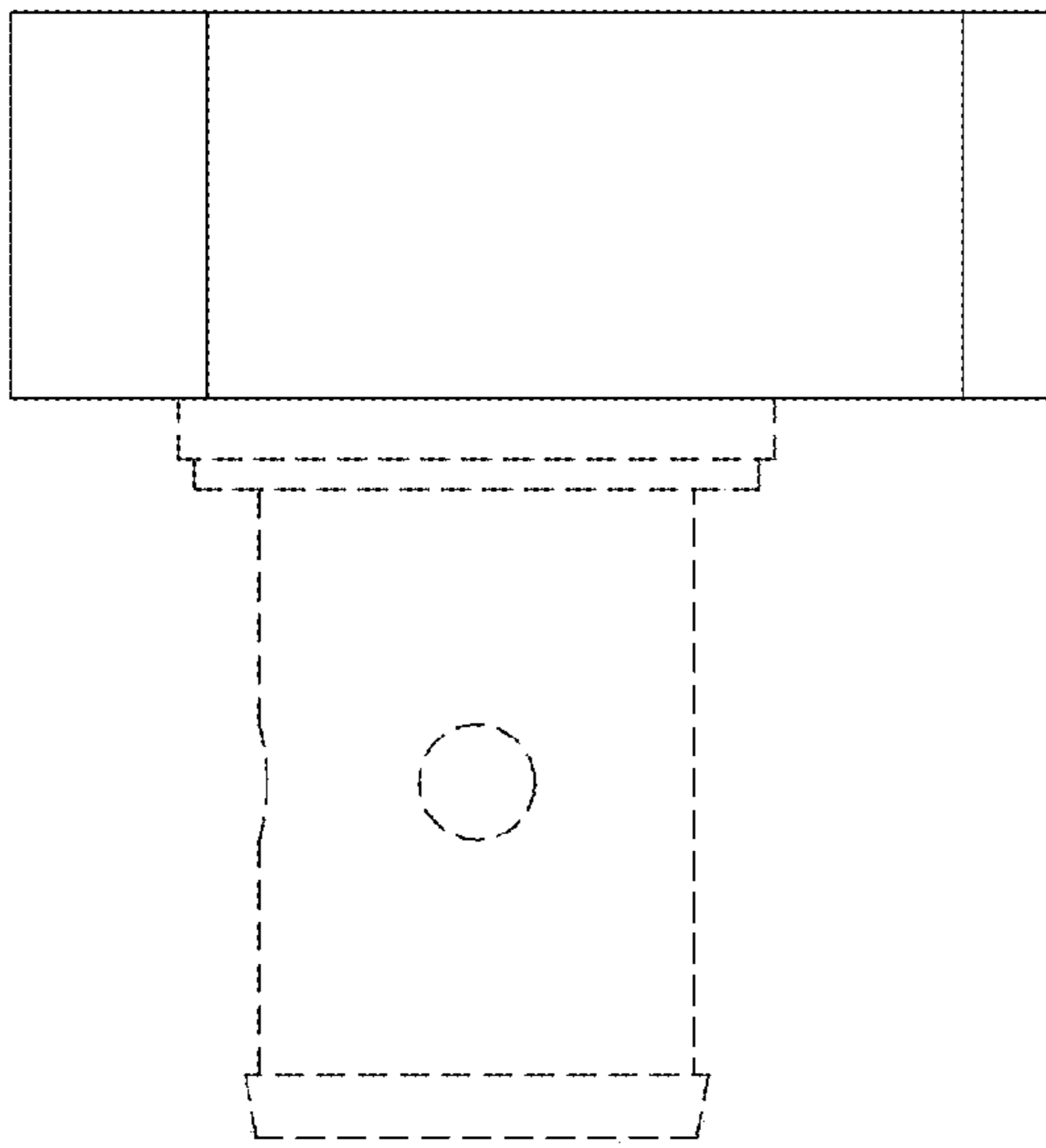


FIG. 5

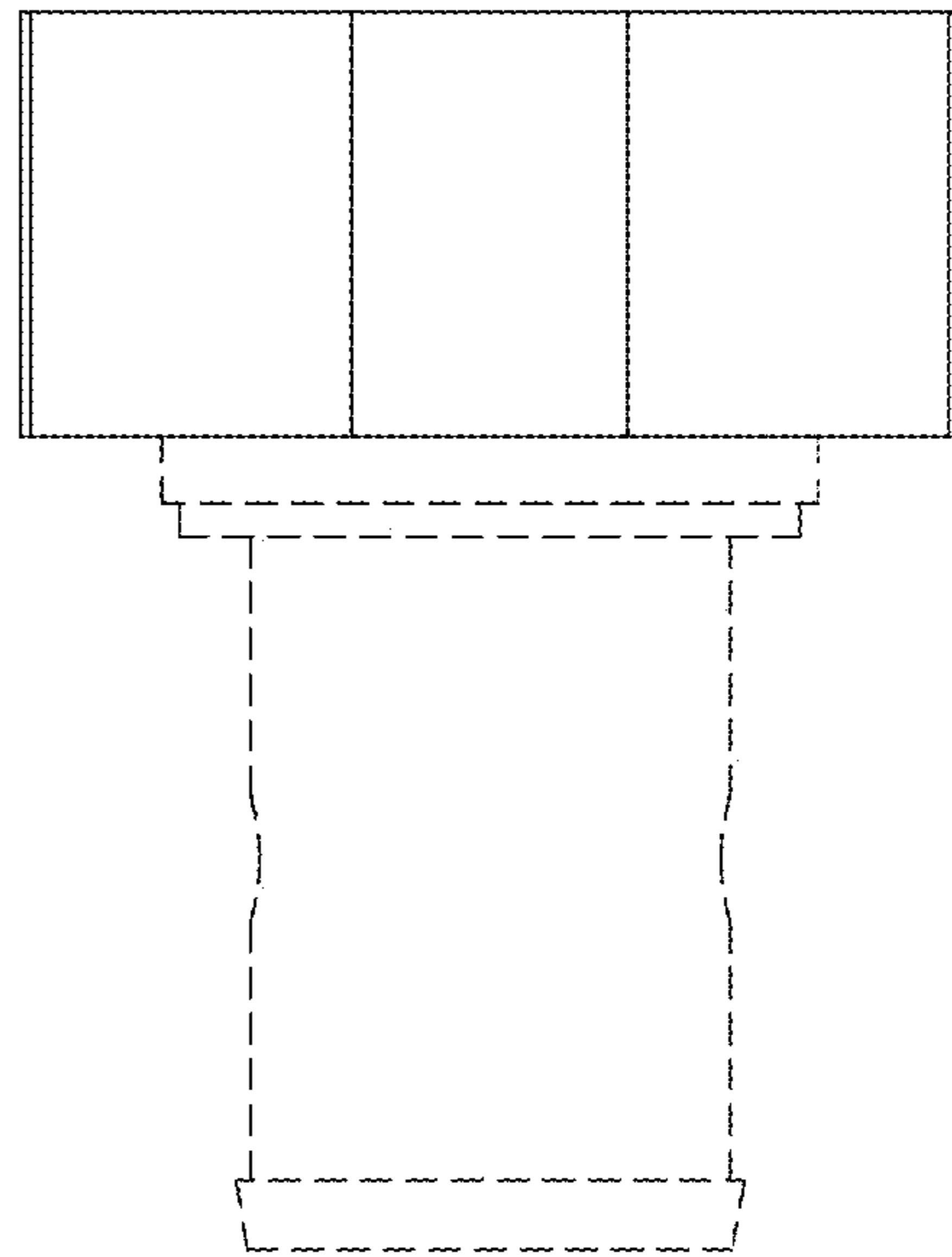


FIG. 6

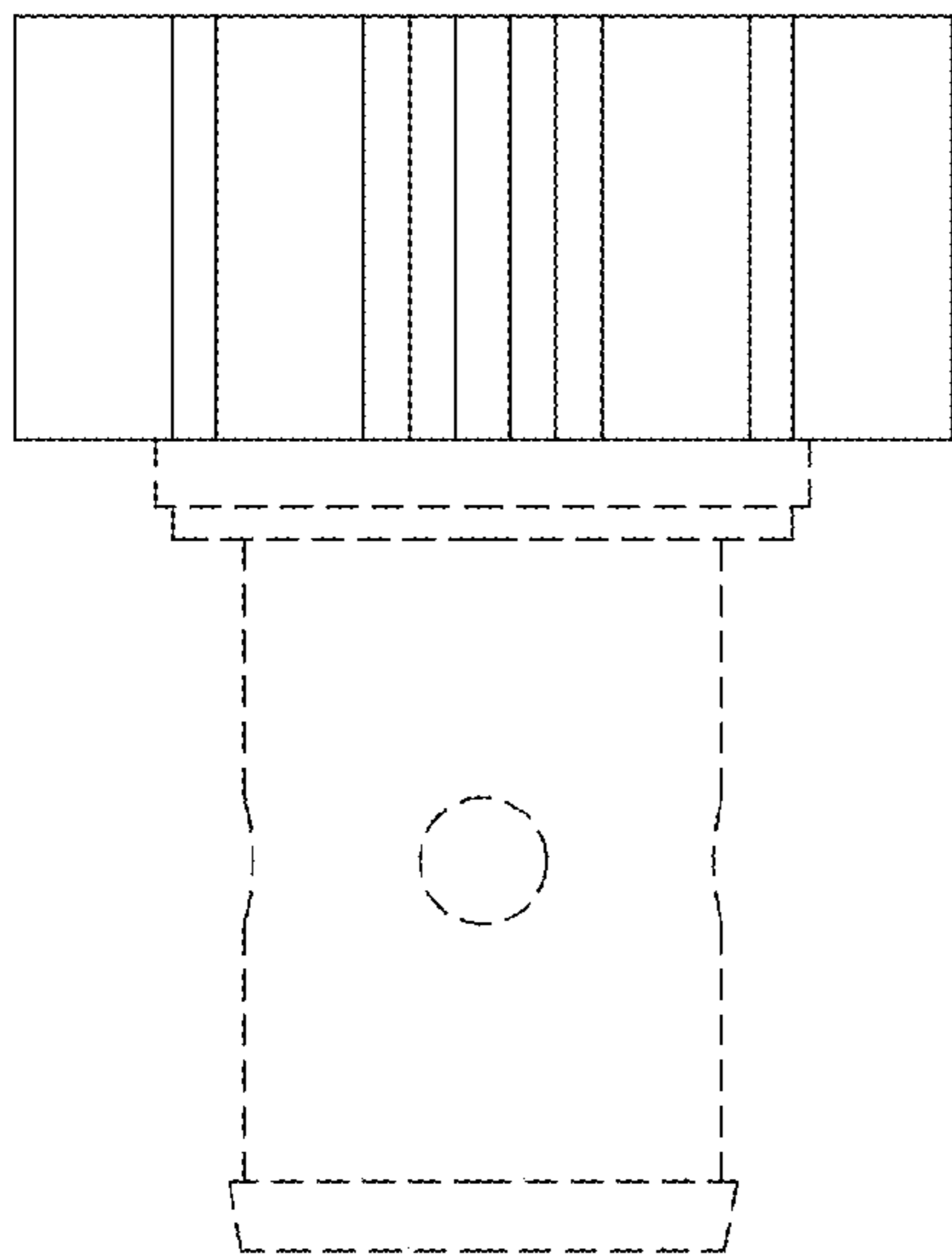


FIG. 7