

US00D698815S

(12) **United States Design Patent**
Scott et al.

(10) **Patent No.:** **US D698,815 S**
(45) **Date of Patent:** **** Feb. 4, 2014**

(54) **DISPLAY SCREEN WITH ANIMATED GRAPHICAL USER INTERFACE**

(75) Inventors: **Karen Scott**, Newcastle, WA (US);
Zachary J. Shallcross, Bothell, WA (US)

(73) Assignee: **Microsoft Corporation**, Redmond, WA (US)

(**) Term: **14 Years**

(21) Appl. No.: **29/429,097**

(22) Filed: **Aug. 7, 2012**

(51) **LOC (10) Cl.** **14-04**

(52) **U.S. Cl.**
USPC **D14/488**

(58) **Field of Classification Search**
USPC D14/485–488; 715/825, 838
See application file for complete search history.

(56) **References Cited**

U.S. PATENT DOCUMENTS

D529,040 S *	9/2006	Stabb	D14/488
D544,492 S *	6/2007	Rimas-Ribikauskas	
		et al.	D14/485
D594,023 S *	6/2009	King	D14/488
D607,468 S *	1/2010	Ho	D14/486
D616,450 S *	5/2010	Simons et al.	D14/486
D629,416 S *	12/2010	Weir et al.	D14/486
D629,417 S *	12/2010	Weir et al.	D14/486
D633,919 S *	3/2011	Chen	D14/486
D636,780 S *	4/2011	Musleh	D14/486
D640,266 S *	6/2011	Furuya et al.	D14/486
D640,710 S *	6/2011	Brouwers et al.	D14/486
8,117,548 B1 *	2/2012	Ragan	715/746

D664,558 S *	7/2012	Tanghe et al.	D14/487
D664,971 S *	8/2012	Lee et al.	D14/486
D664,984 S *	8/2012	Lee et al.	D14/488
D664,986 S *	8/2012	Lee et al.	D14/488
D666,625 S *	9/2012	Gilmore et al.	D14/485
2007/0083911 A1 *	4/2007	Madden et al.	725/135
2011/0258563 A1 *	10/2011	Lincke	715/760
2012/0036466 A1 *	2/2012	Venon et al.	715/772

* cited by examiner

Primary Examiner — Karen E Kearney

(74) *Attorney, Agent, or Firm* — Banner & Witcoff, Ltd.

(57) **CLAIM**

The ornamental design for a display screen with animated graphical user interface, as shown and described.

DESCRIPTION

FIG. 1 is a front view of the first image in a sequence for a display screen with animated graphical user interface showing our new design;

FIG. 2 is the second image thereof;

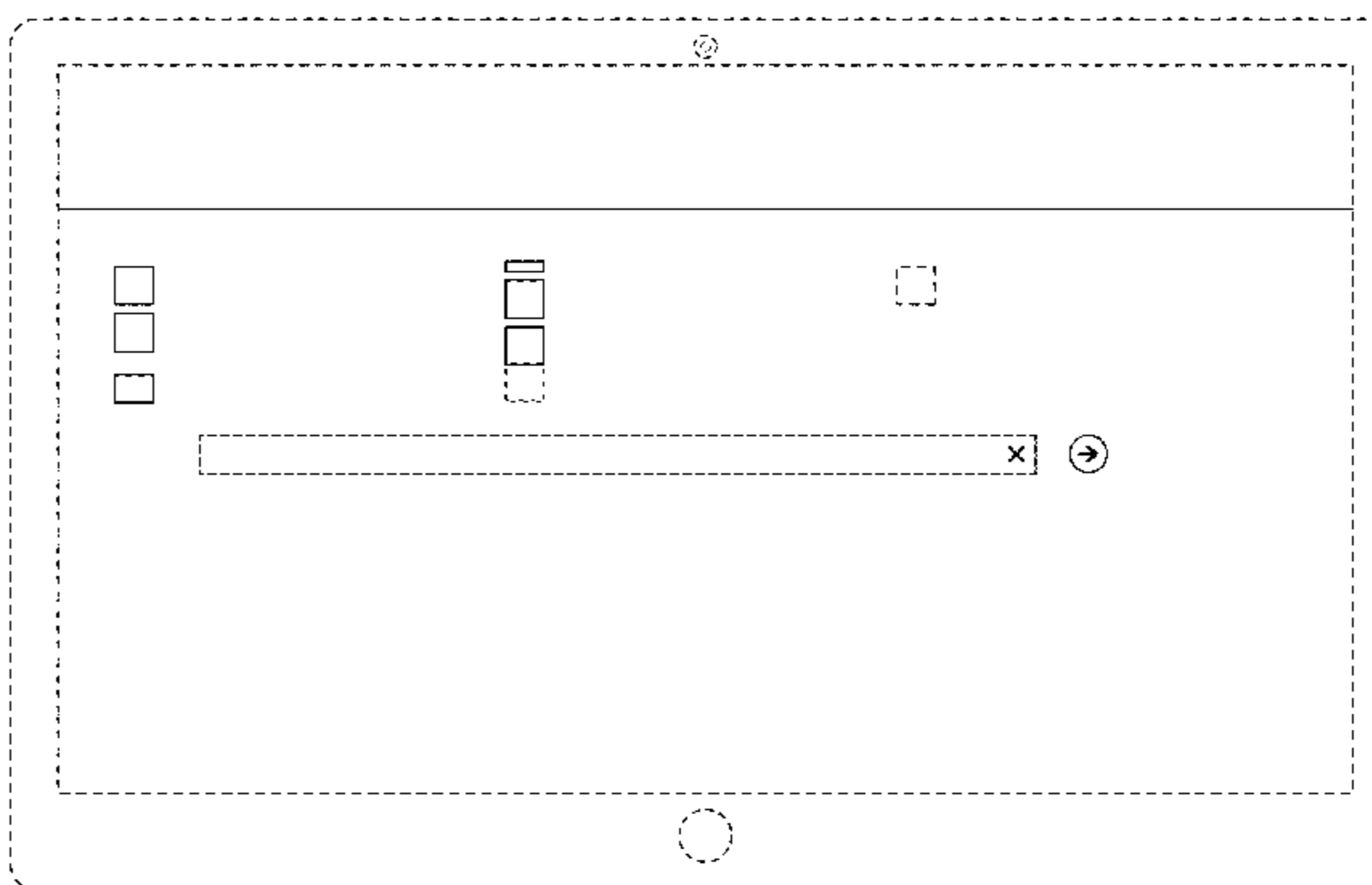
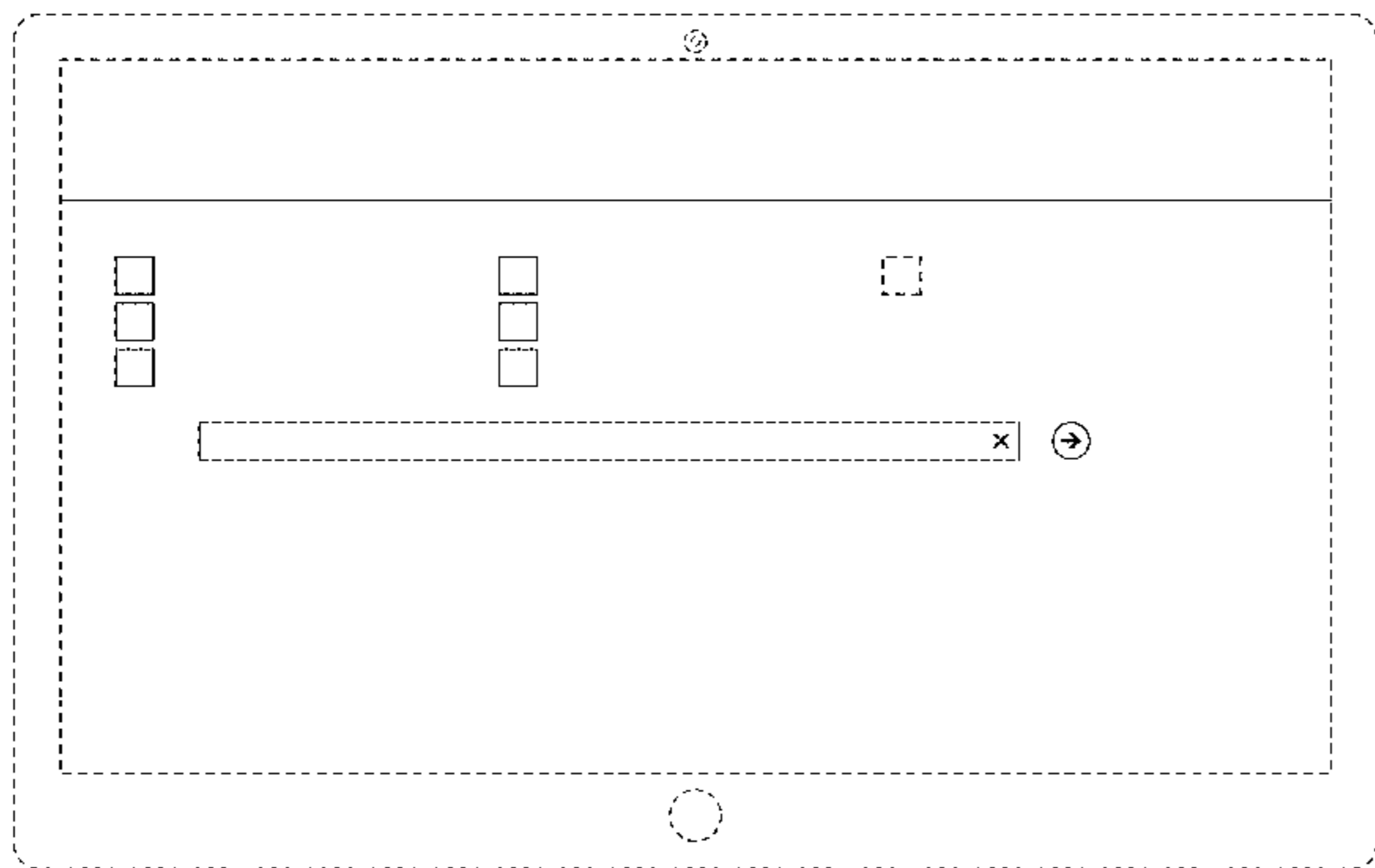
FIG. 3 is the third image thereof;

FIG. 4 is the fourth image thereof; and,

FIG. 5 is the fifth image thereof.

The appearance of the animated user interface sequentially transitions between the images shown in FIGS. 1-5. The process or period in which one image transitions to another forms no part of the claimed design. The broken line showing of the remainder of the user interface and display screen is for environmental purposes only and forms no part of the claimed design.

1 Claim, 5 Drawing Sheets



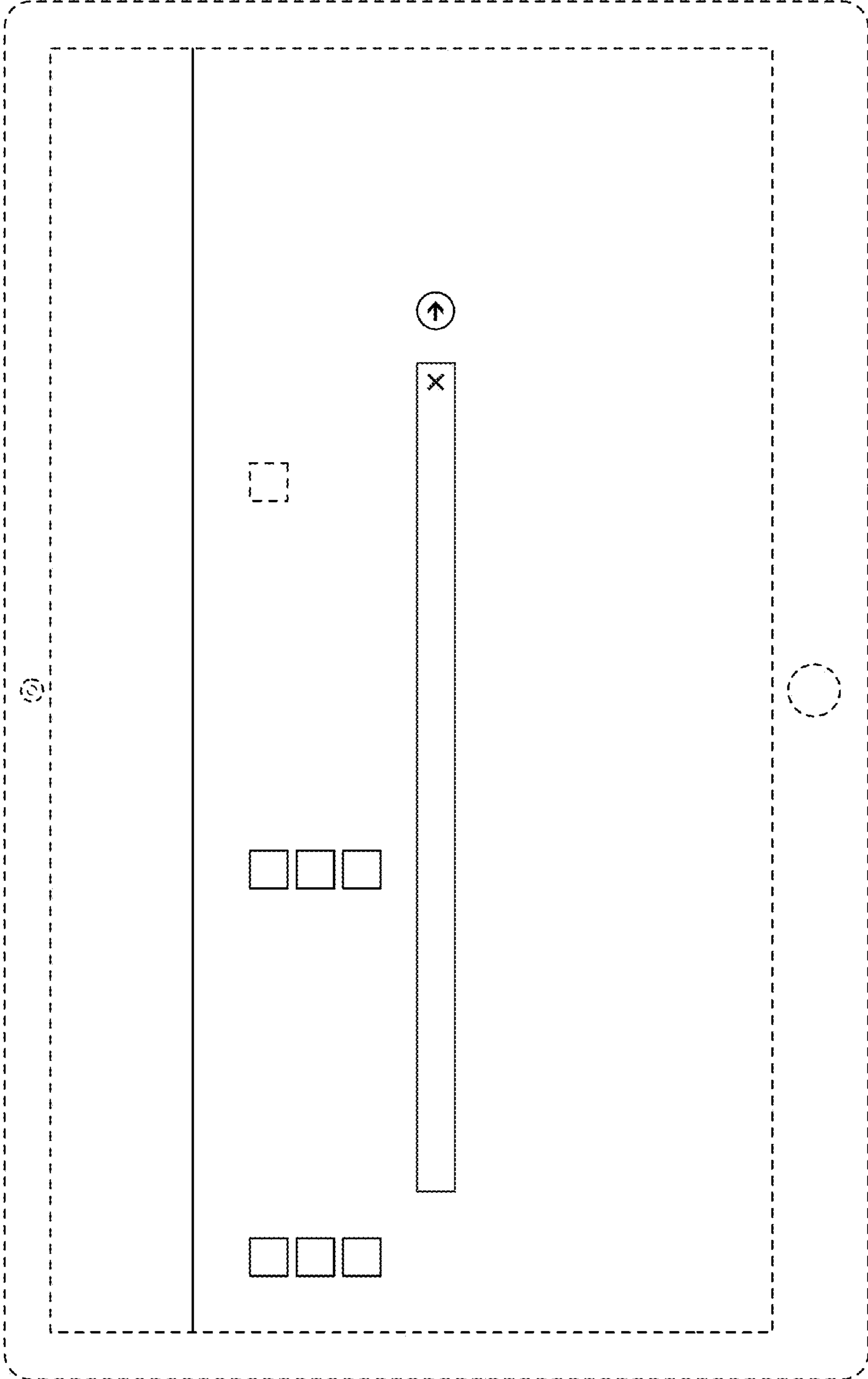


FIG. 1

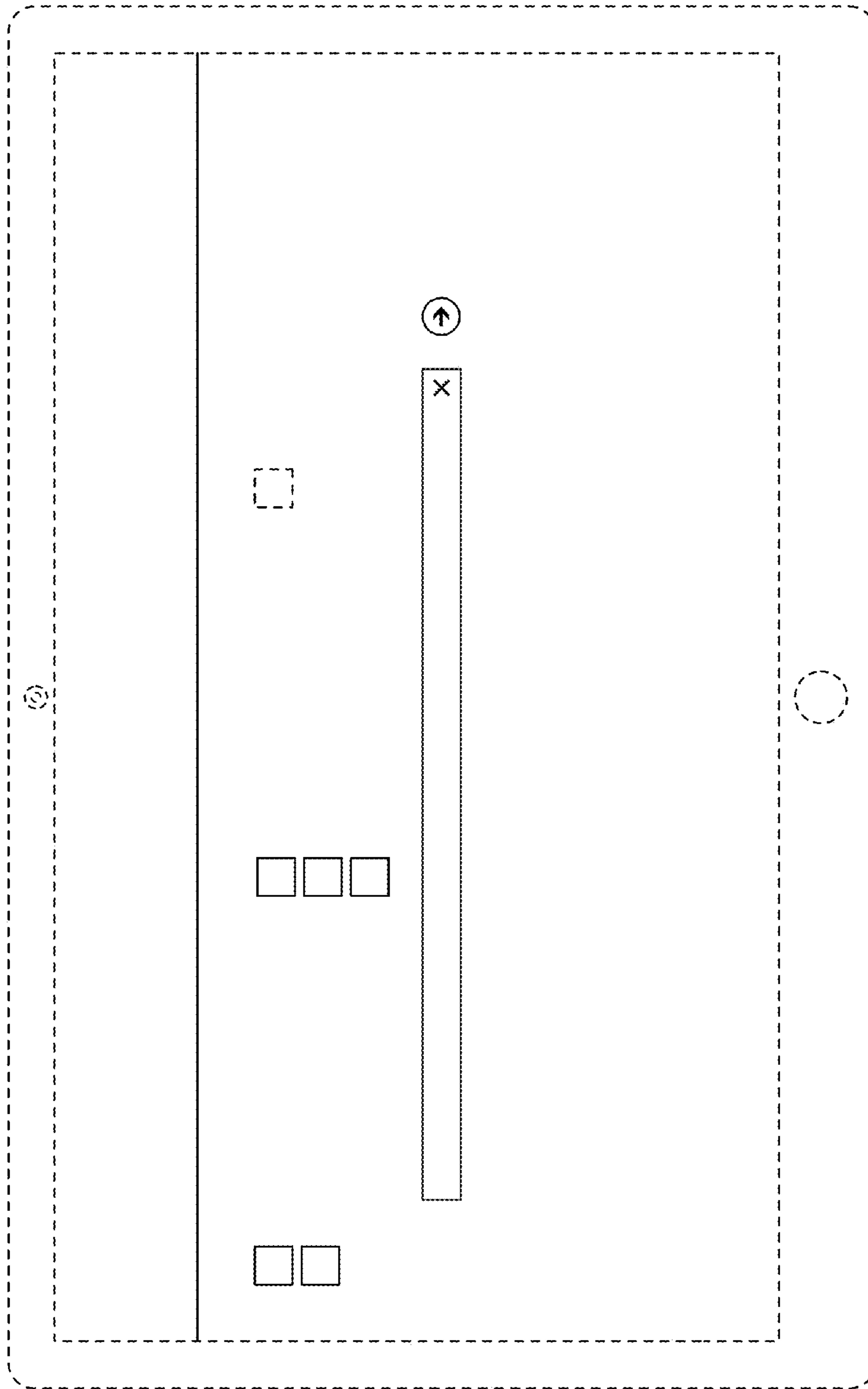


FIG. 2

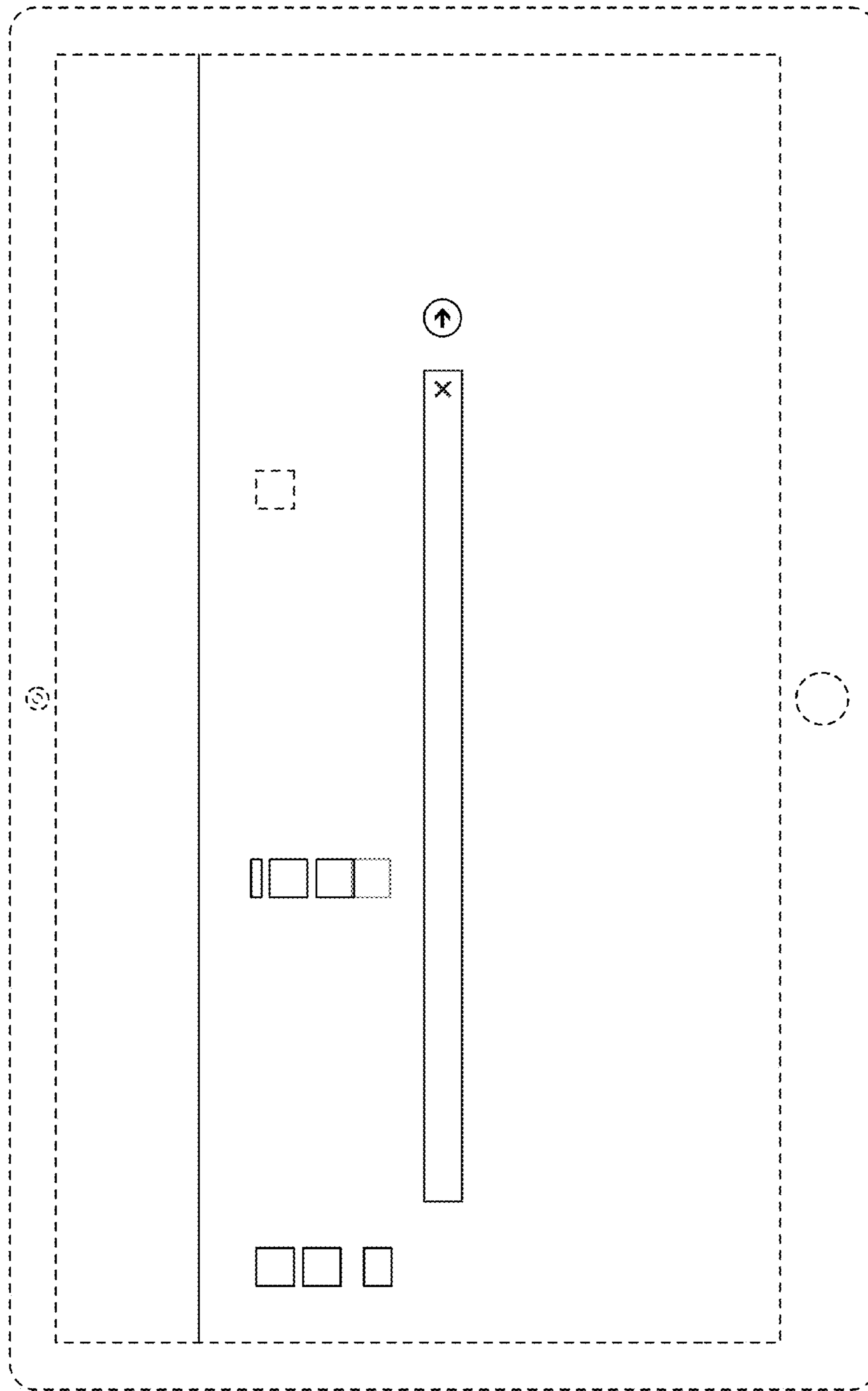


FIG. 3

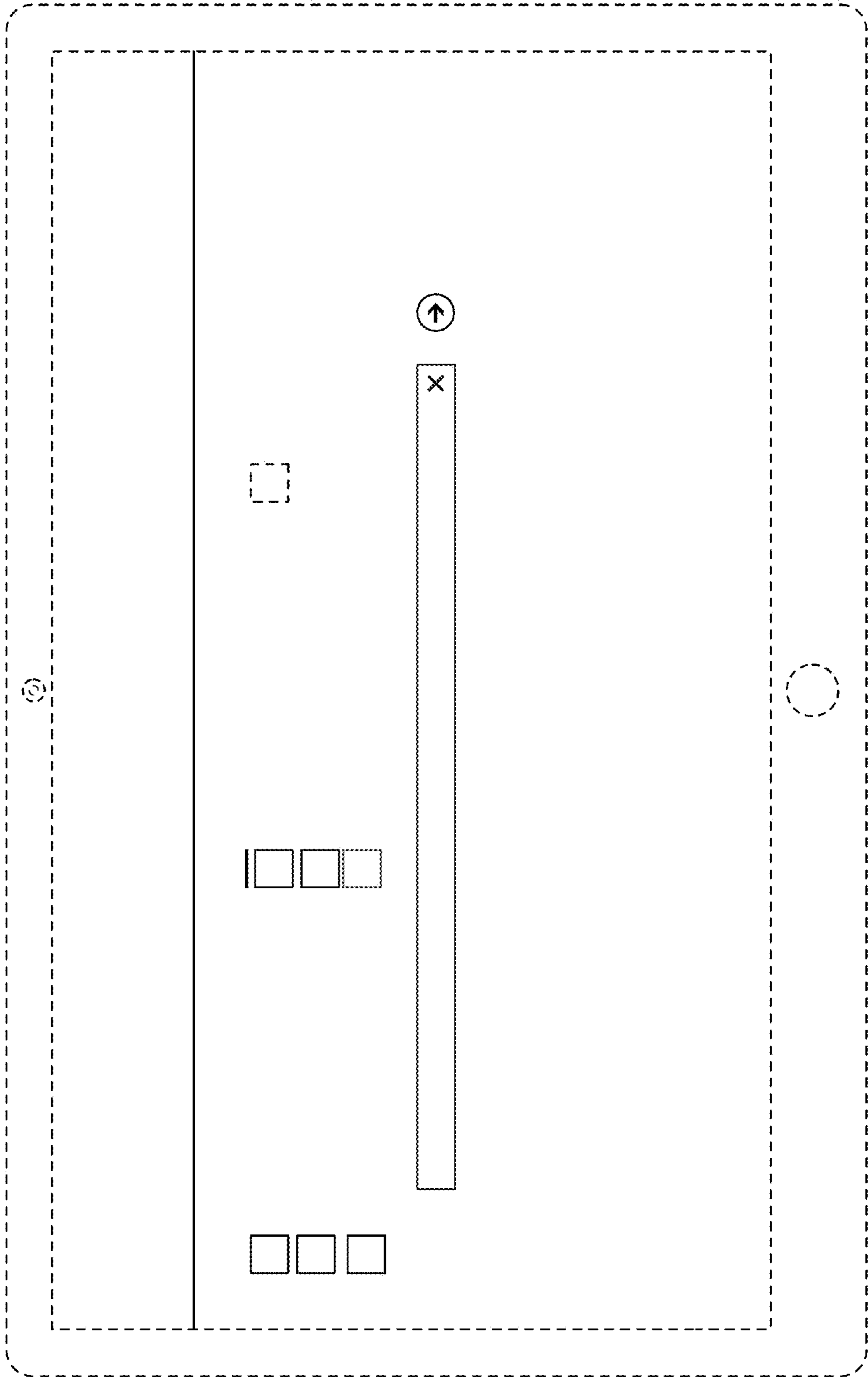


FIG. 4

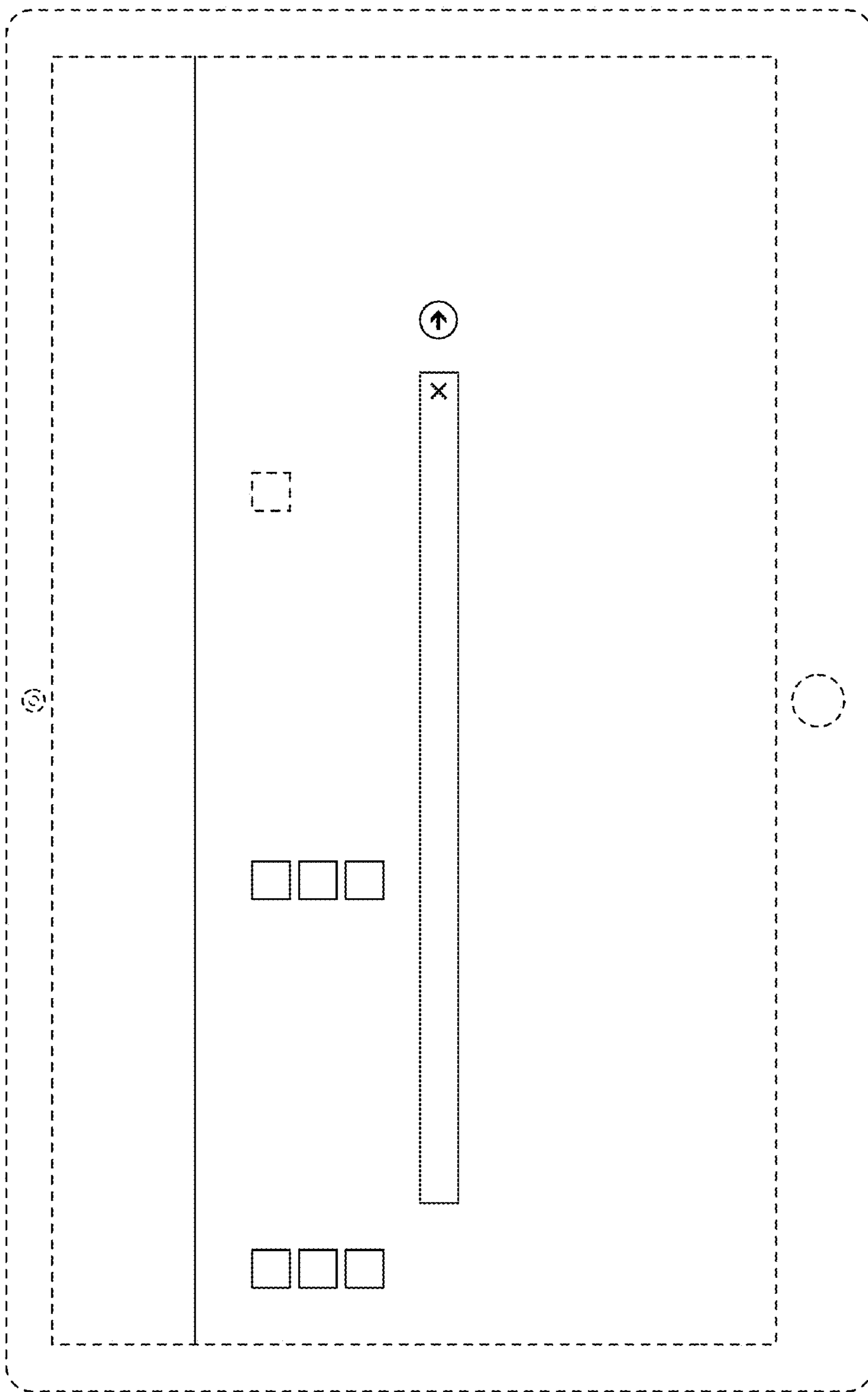


FIG. 5