



US00D698813S

(12) **United States Design Patent**
Brown

(10) **Patent No.:** **US D698,813 S**

(45) **Date of Patent:** **** Feb. 4, 2014**

(54) **DISPLAY SCREEN OR PORTION THEREOF WITH AN ANIMATED GRAPHICAL USER INTERFACE**

(75) Inventor: **Donald E Brown**, Indianapolis, IN (US)

(73) Assignee: **OrgSpan, Inc.**, Durham, NC (US)

(**) Term: **14 Years**

(21) Appl. No.: **29/423,995**

(22) Filed: **Jun. 7, 2012**

(51) **LOC (10) Cl.** **14-04**

(52) **U.S. Cl.**
USPC **D14/488**

(58) **Field of Classification Search**
USPC D14/485-488; 715/825, 838
See application file for complete search history.

(56) **References Cited**

U.S. PATENT DOCUMENTS

D609,715 S	2/2010	Chaudhri
D613,300 S	4/2010	Chaudhri
D624,932 S	10/2010	Chaudhri
D648,347 S	11/2011	Chaudhri

Primary Examiner — Karen E Kearney

(74) *Attorney, Agent, or Firm* — Christopher W. Bosken

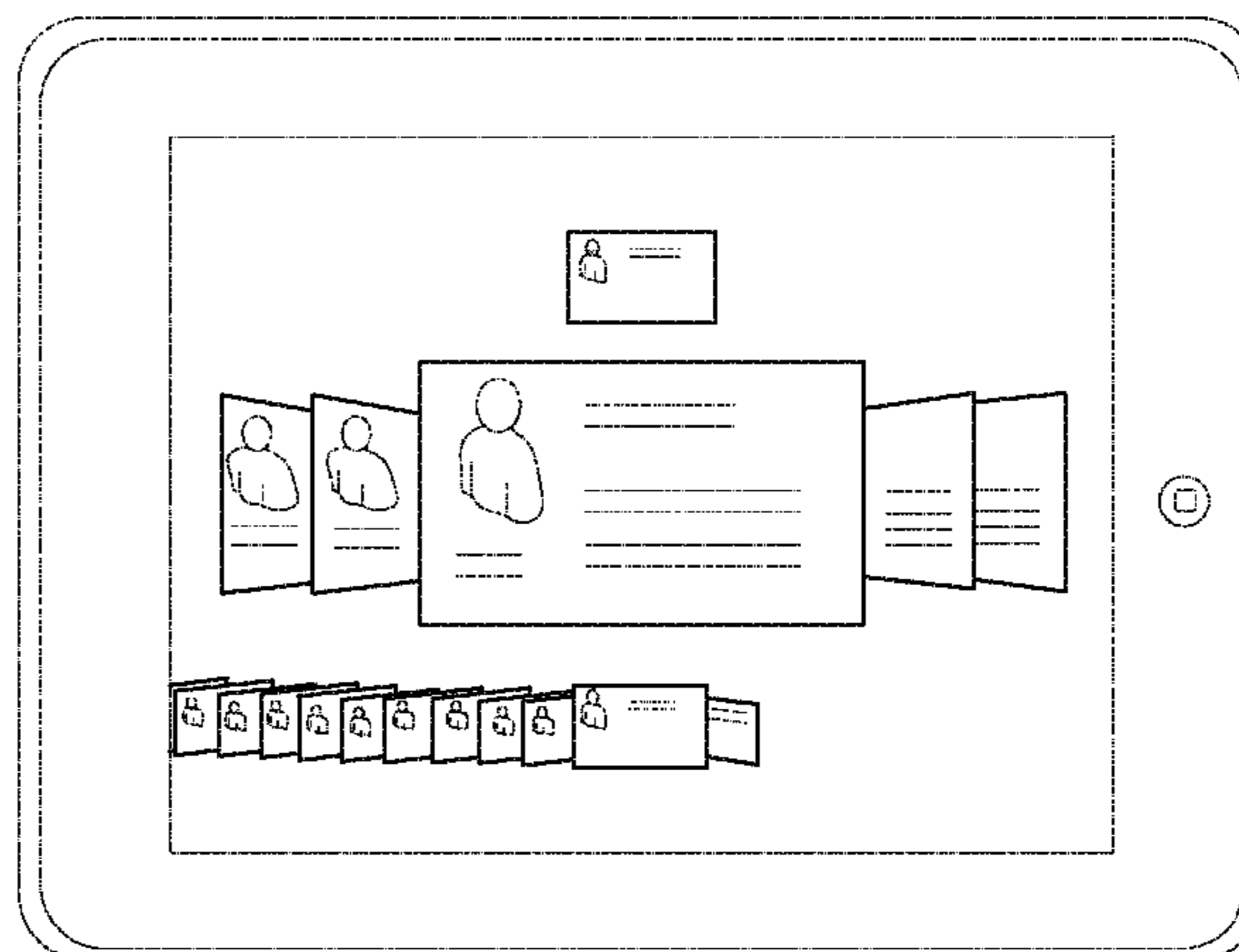
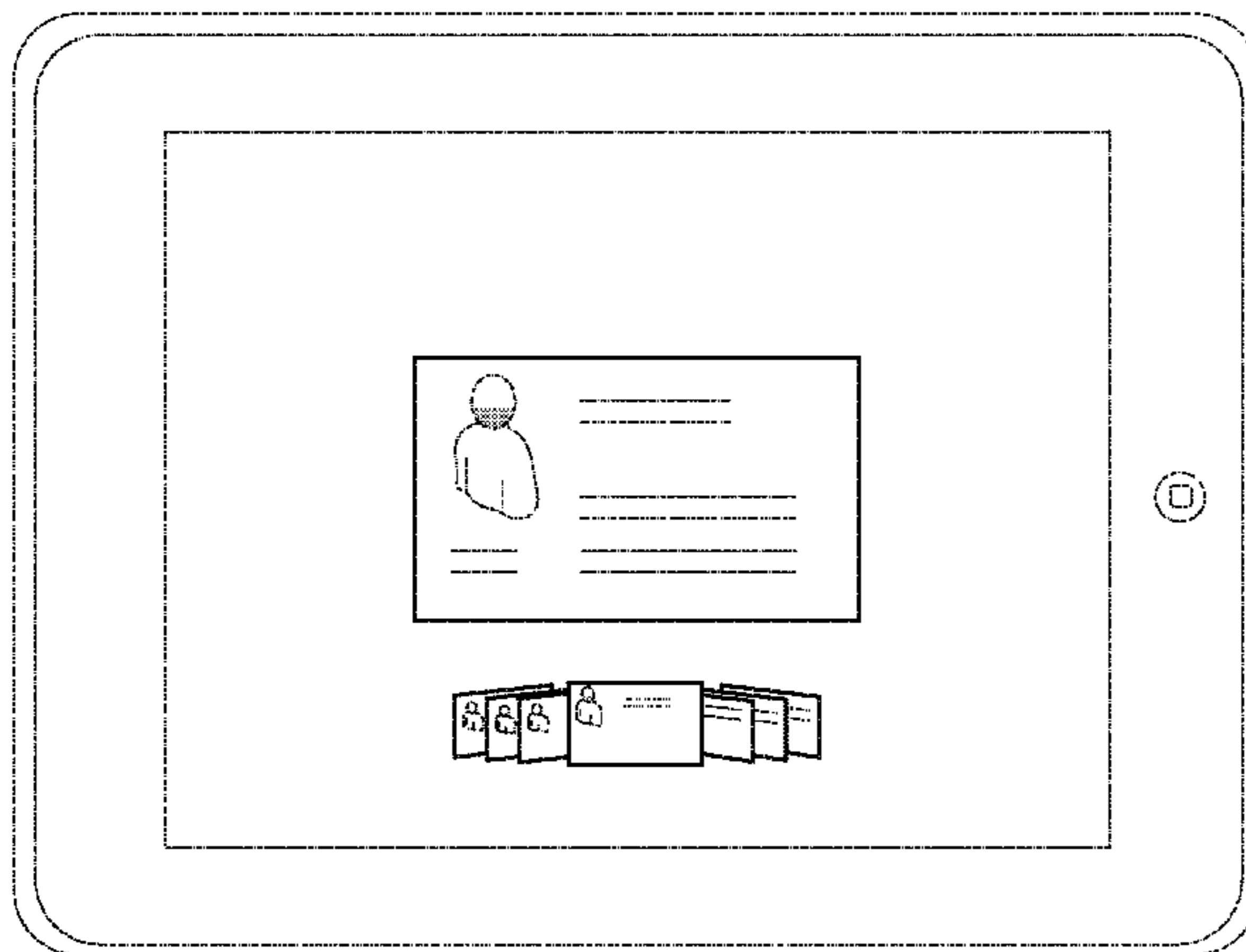
(57) **CLAIM**

The ornamental design for a display screen or portion thereof with an animated graphical user interface, as shown and described.

DESCRIPTION

FIG. 1 is a front view of the first image in a sequence for a display screen or portion thereof with an animated graphical user interface showing our new design;
 FIG. 2 is a front view of the second image thereof;
 FIG. 3 is a front view of the third image thereof;
 FIG. 4 is a front view of the fourth image thereof;
 FIG. 5 is a front view of the fifth image thereof;
 FIG. 6 is a front view of the sixth image thereof;
 FIG. 7 is a front view of the seventh image thereof;
 FIG. 8 is a front view of the eighth image thereof;
 FIG. 9 is a front view of the ninth image thereof; and,
 FIG. 10 is a front view of the tenth image thereof.
 The appearance of the image transitions sequentially between the images shown in FIGS. 1-10. The process or period in which an image transitions to another forms no part of the claimed design. The broken line showing a display screen or portion thereof and graphical elements within the display screen are not part of the claimed design.

1 Claim, 10 Drawing Sheets



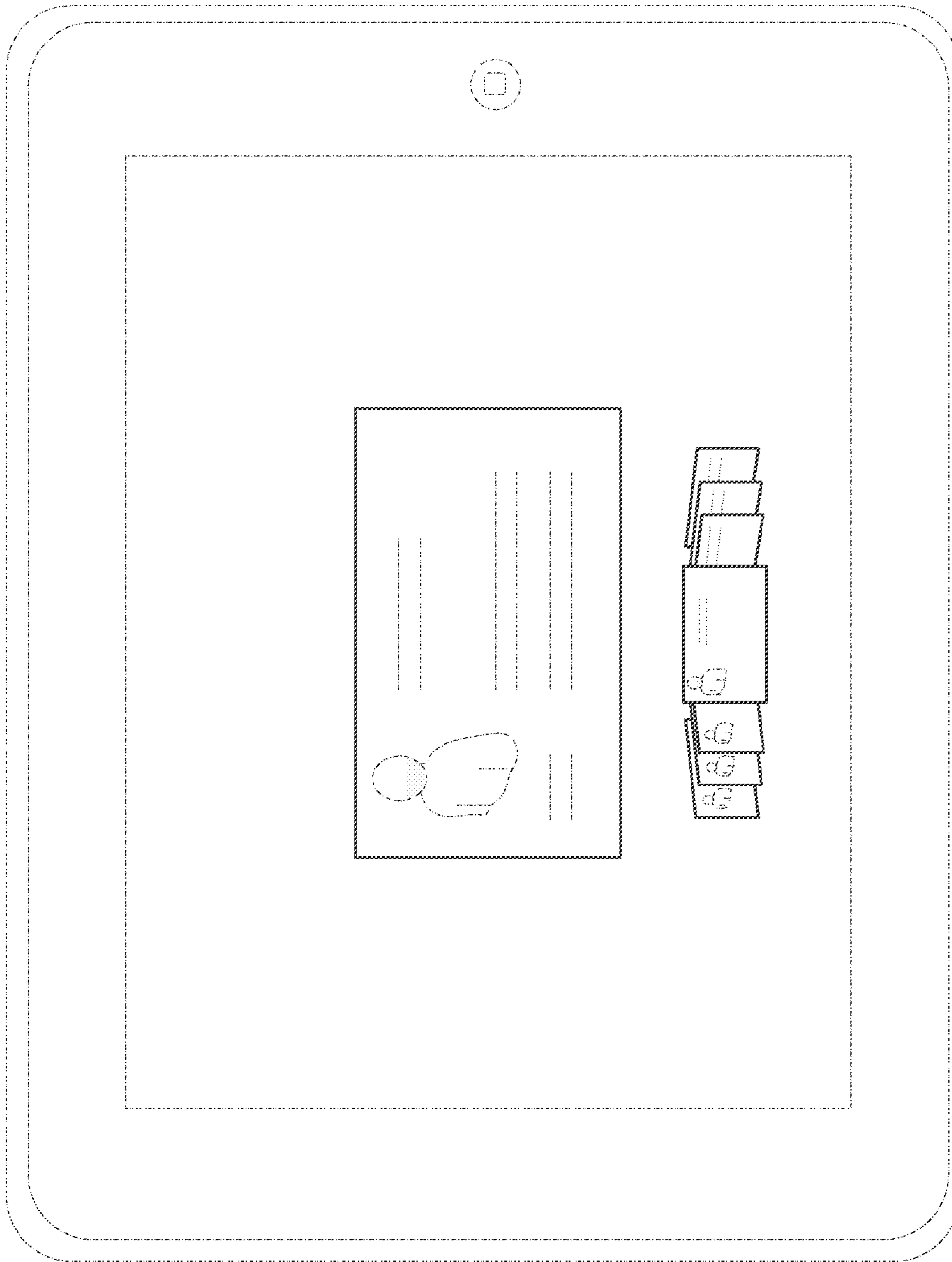


FIG. 1

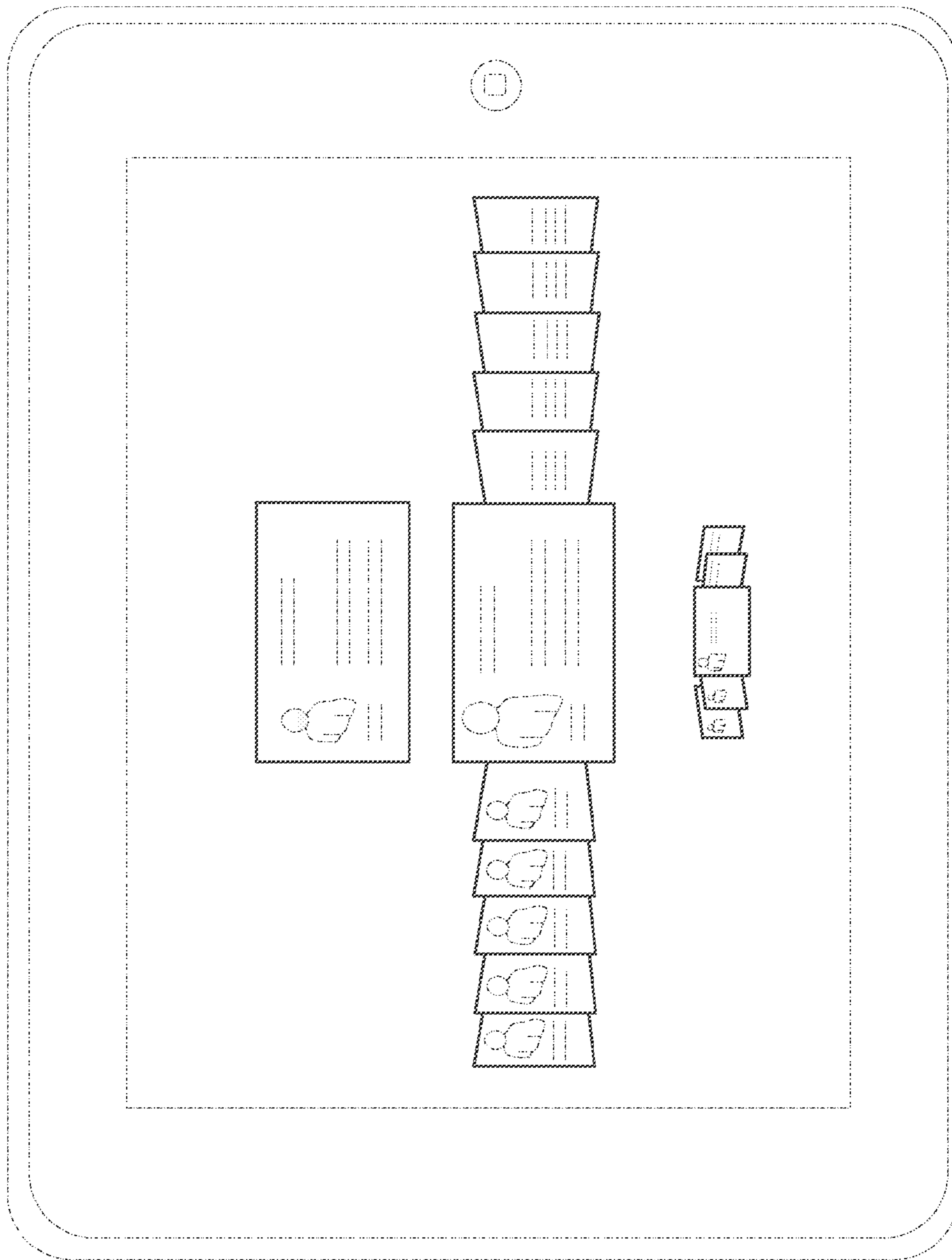


FIG. 2

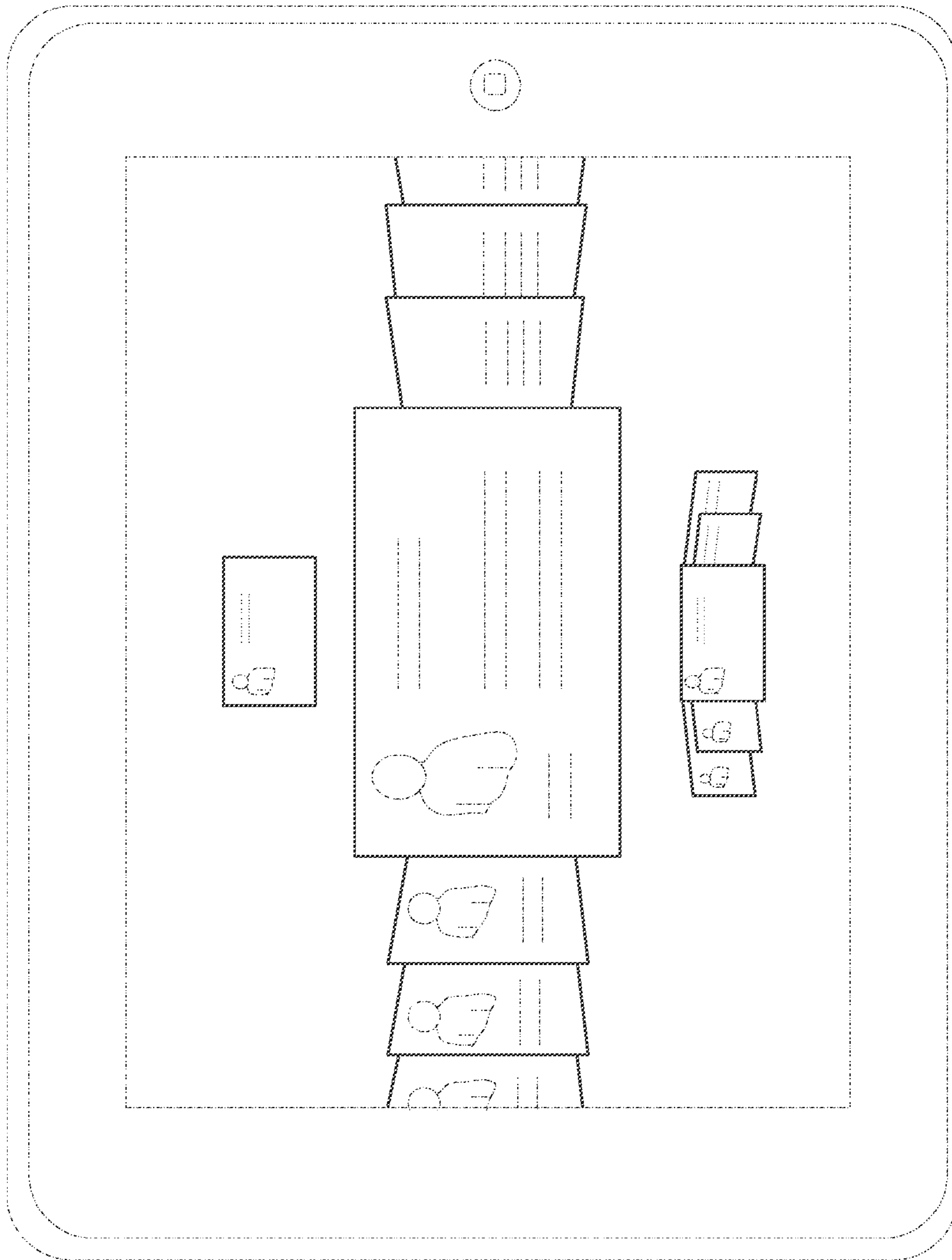


FIG. 3

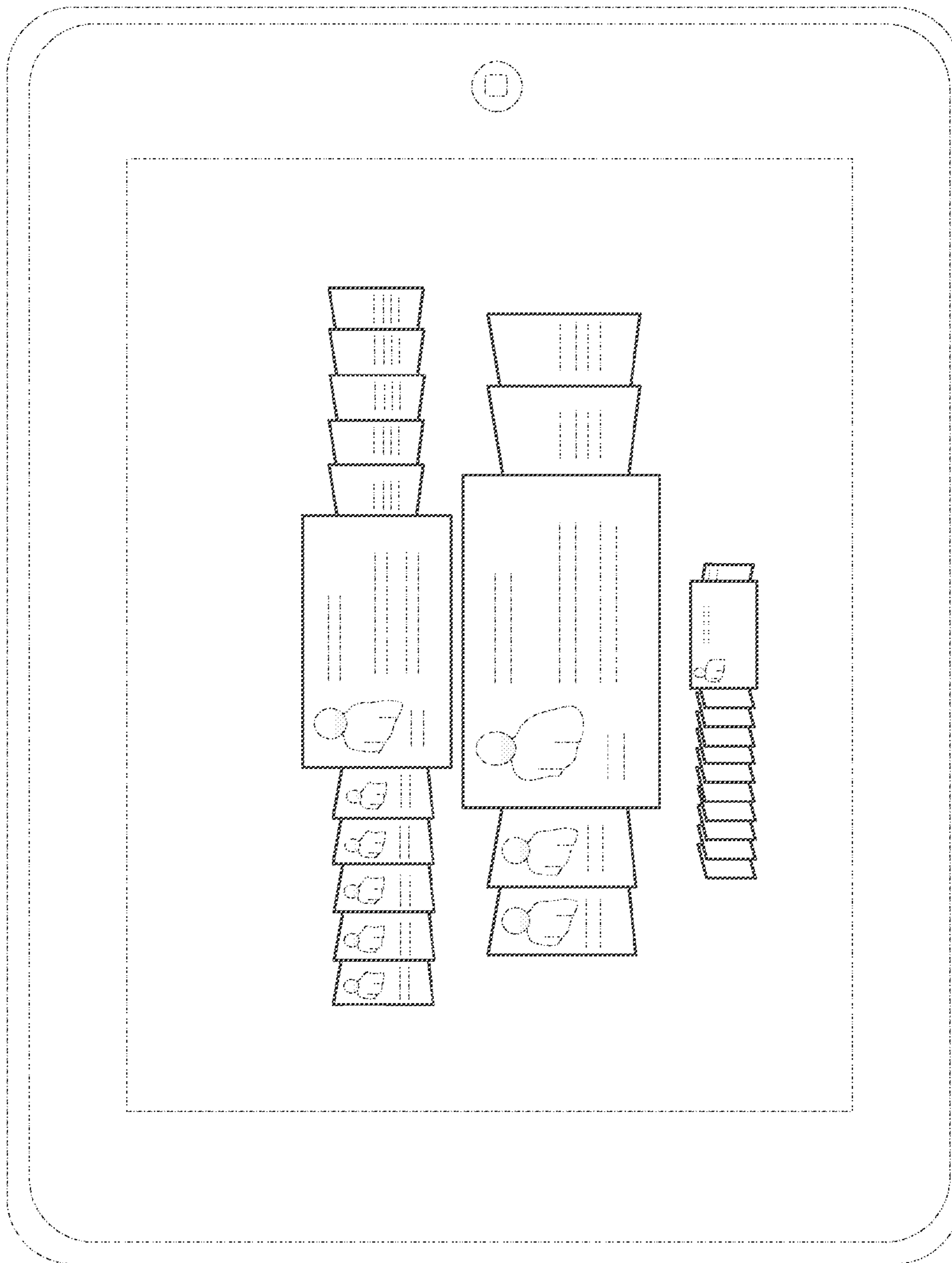


FIG. 4

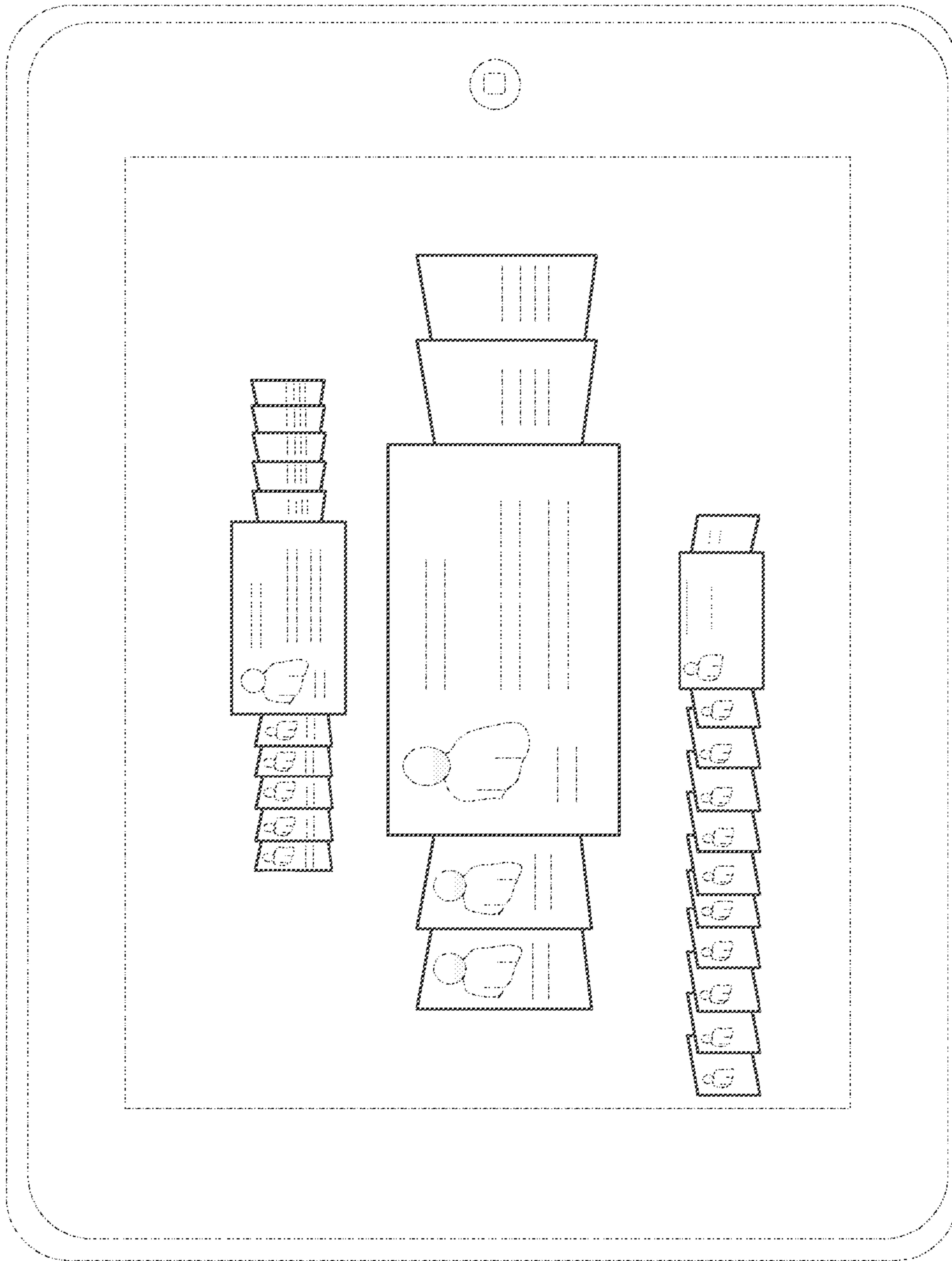


FIG. 5

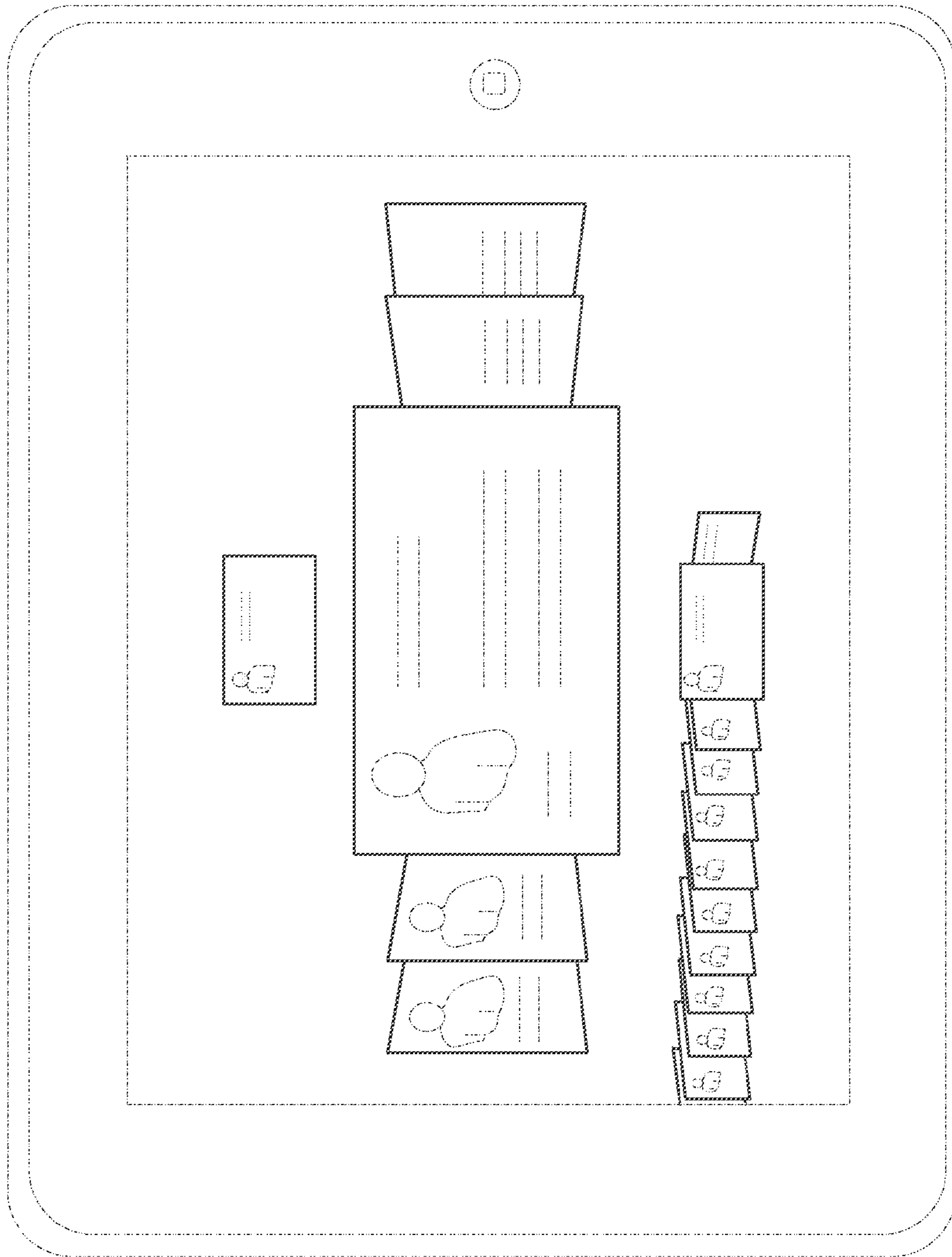


FIG. 6

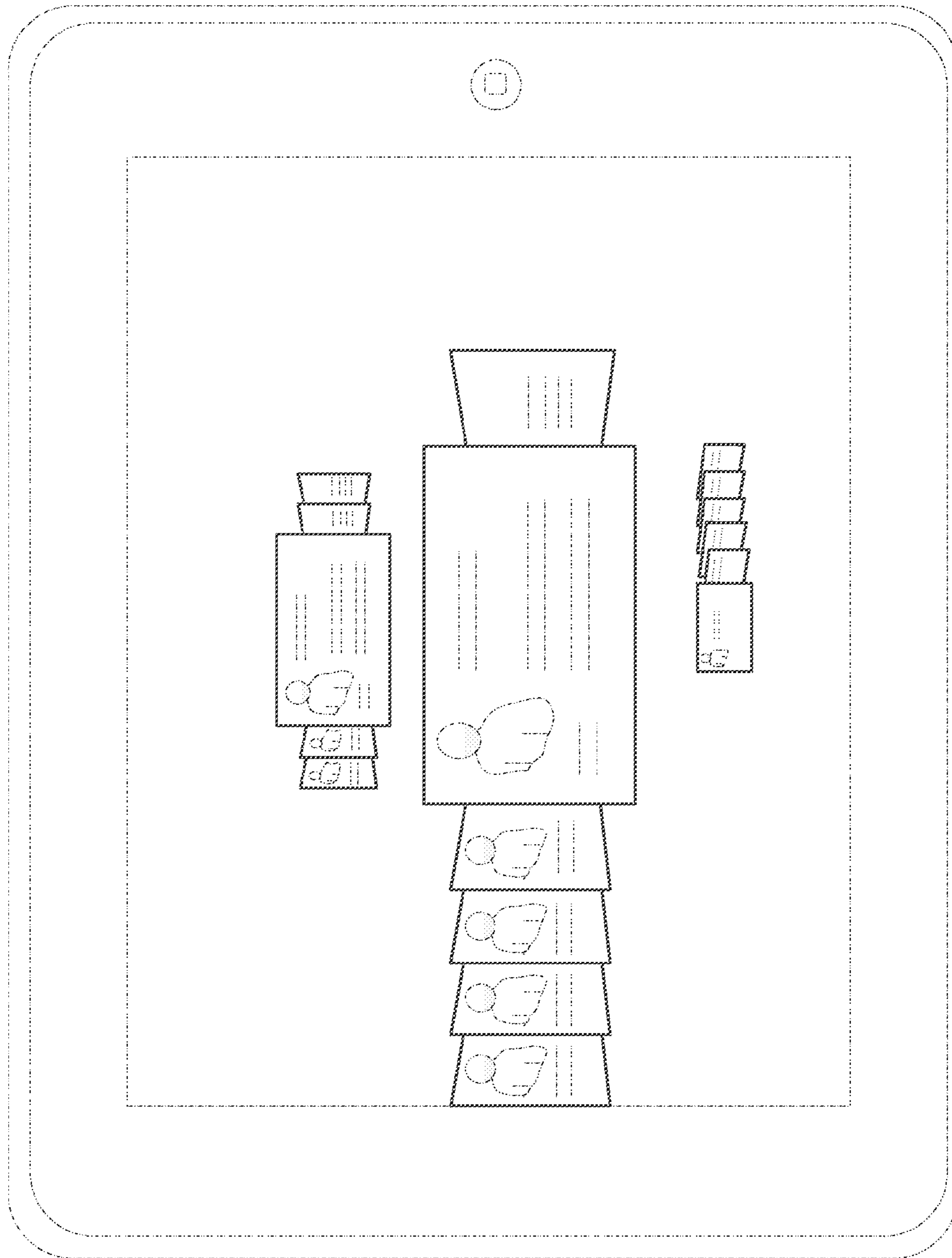


FIG. 7

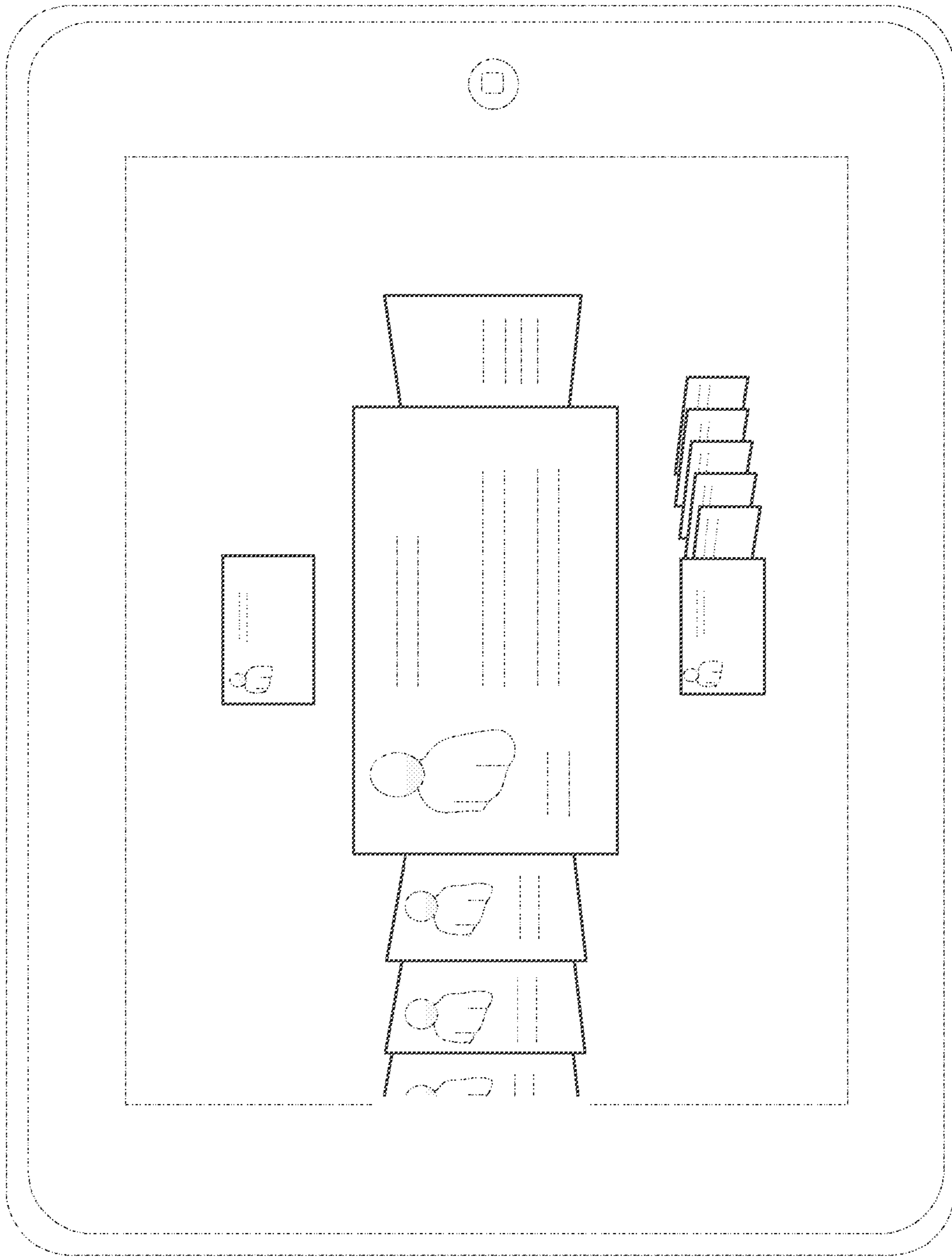


FIG. 8

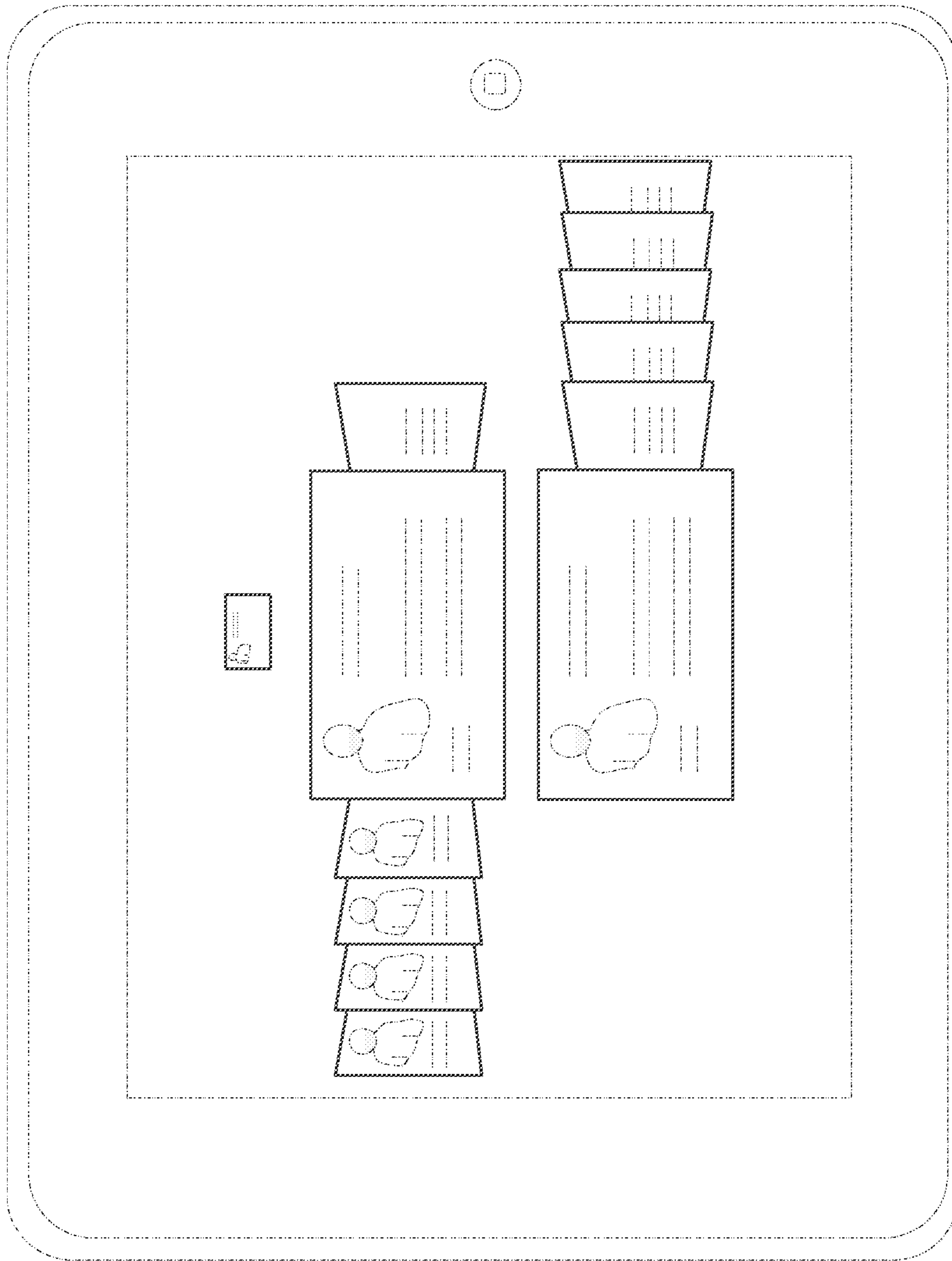


FIG. 9

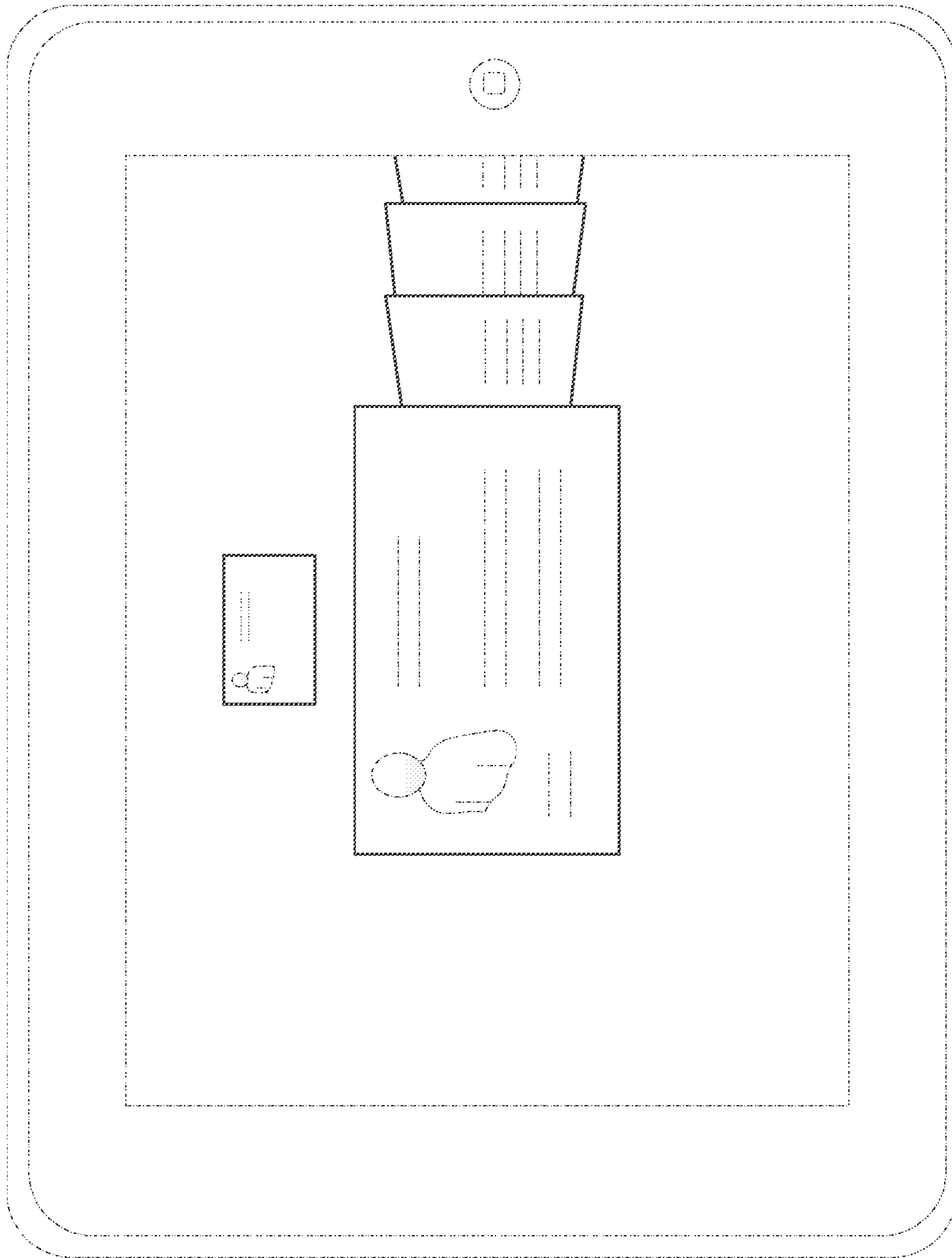


FIG. 10