



US00D698795S

(12) **United States Design Patent**
Chang

(10) **Patent No.:** **US D698,795 S**

(45) **Date of Patent:** **** Feb. 4, 2014**

(54) **DISPLAY BASE**

(71) Applicant: **AmTRAN Technology Co., Ltd.**, New Taipei (TW)

(72) Inventor: **Chia-Hui Chang**, New Taipei (TW)

(73) Assignee: **AmTRAN Technology Co., Ltd.**, New Taipei (TW)

(**) Term: **14 Years**

(21) Appl. No.: **29/438,763**

(22) Filed: **Dec. 3, 2012**

(51) **LOC (10) Cl.** **08-07**

(52) **U.S. Cl.**
USPC **D14/451**

(58) **Field of Classification Search**
USPC D14/211, 238, 251, 253, 371-375,
D14/125-129, 336, 337, 447, 448, 451, 452,
D14/492; 341/12; 345/104, 156, 168, 173;
348/180, 184, 325, 739; 349/1, 2, 11,
349/62; 361/679.05-679.07, 679.21;
D6/300, 311-313, 308, 708
See application file for complete search history.

(56) **References Cited**

U.S. PATENT DOCUMENTS

D203,199 S	*	12/1965	Beckman	D6/495
D412,891 S	*	8/1999	Sumii	D14/374
D431,134 S	*	9/2000	Chen	D6/496
D565,054 S	*	3/2008	Anderson et al.	D14/452
D586,591 S	*	2/2009	Stoller	D6/495
D617,362 S	*	6/2010	Olien	D16/242

D620,461 S	*	7/2010	Han et al.	D14/126
D670,257 S	*	11/2012	Yang et al.	D14/126
D683,735 S	*	6/2013	Chang	D14/451

* cited by examiner

Primary Examiner — Deanna L Pratt

Assistant Examiner — Katie Mroczka

(74) *Attorney, Agent, or Firm* — Muncy, Geissler, Olds & Lowe, PLLC

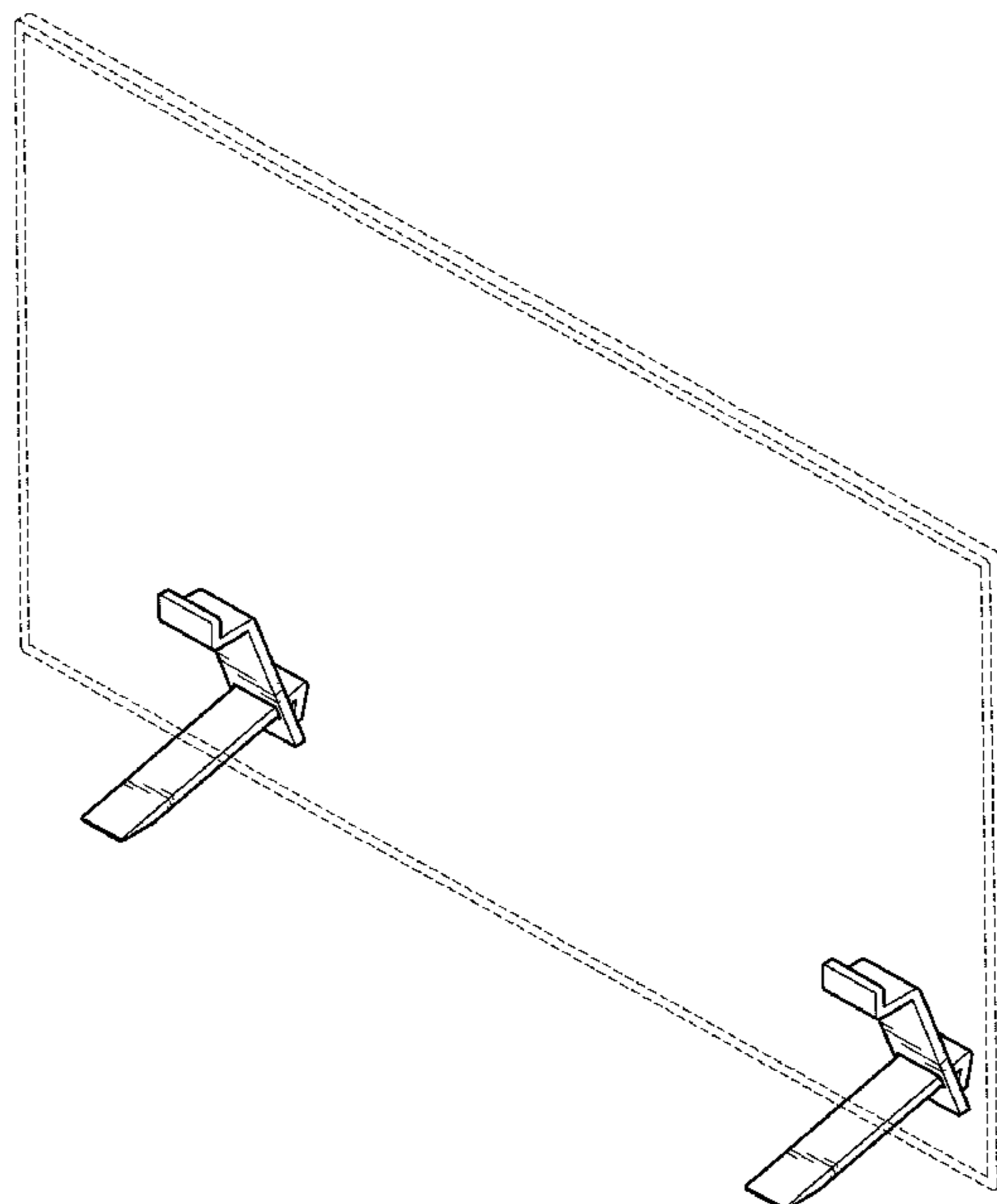
(57) **CLAIM**

The ornamental design for a display base, as shown and described.

DESCRIPTION

FIG. 1 is a front perspective view of display base showing my new design;
 FIG. 2 is a rear perspective view thereof;
 FIG. 3 is a front view thereof;
 FIG. 4 is a rear view thereof;
 FIG. 5 is a left side elevational view thereof;
 FIG. 6 is a right side elevational view thereof;
 FIG. 7 is a top view thereof;
 FIG. 8 is a bottom view thereof;
 FIG. 9 is a reference perspective view showing the usage state of display base; and,
 FIG. 10 is a reference side elevational view showing the usage state of display base.
 The broken line showing of a display is included for the purpose of illustrating environment, and forms no part of the claimed design.

1 Claim, 7 Drawing Sheets



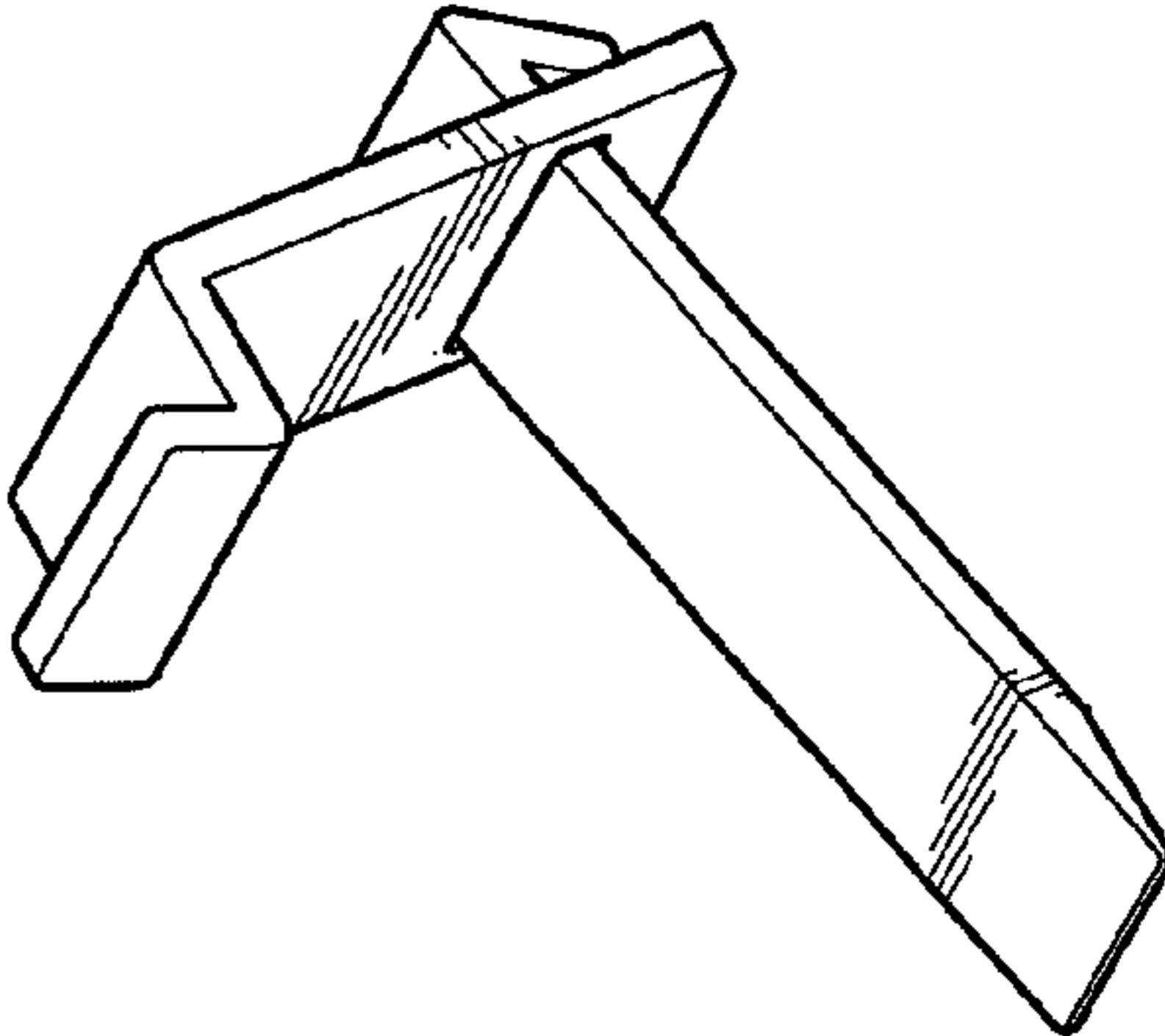
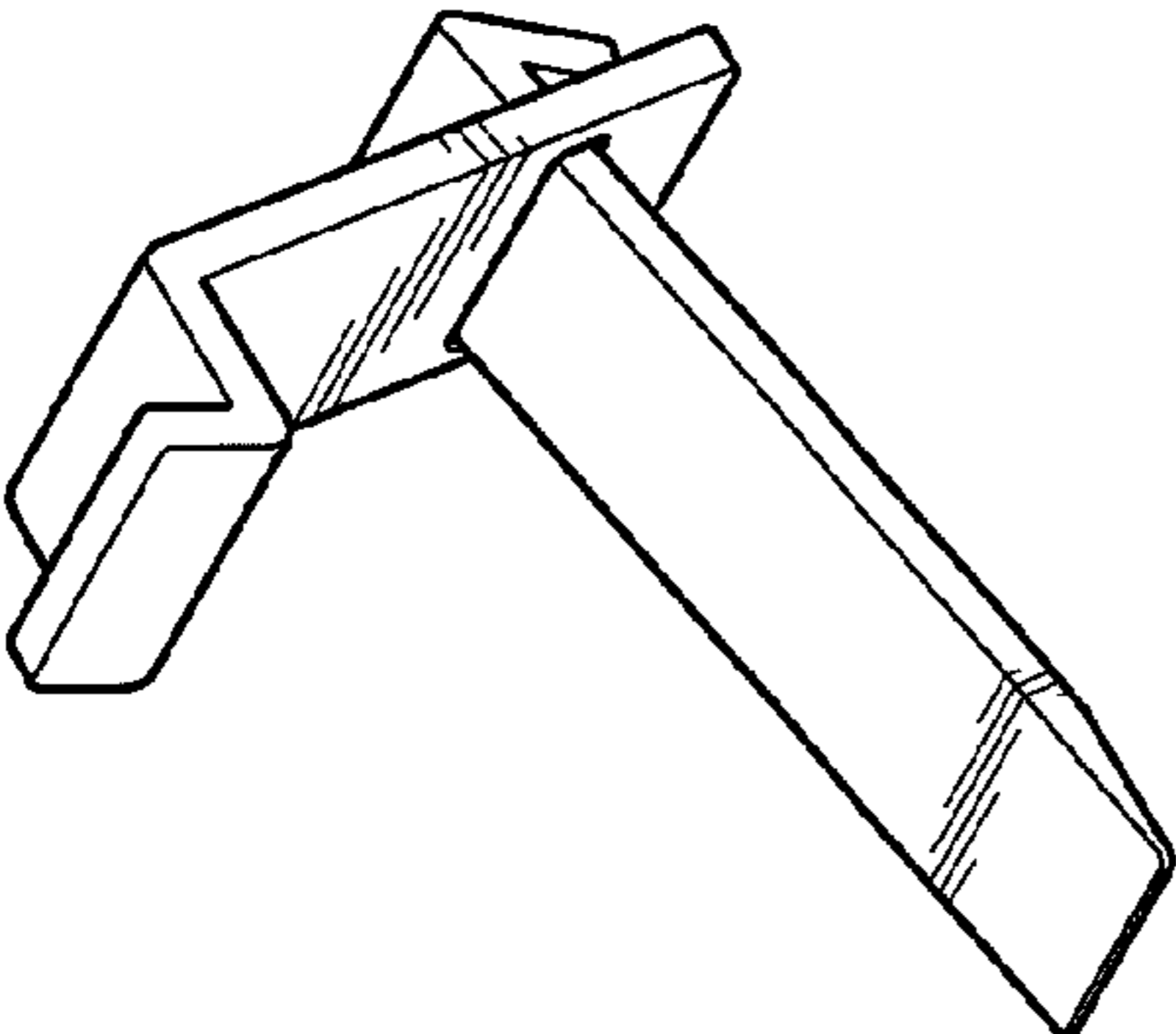


FIG.1



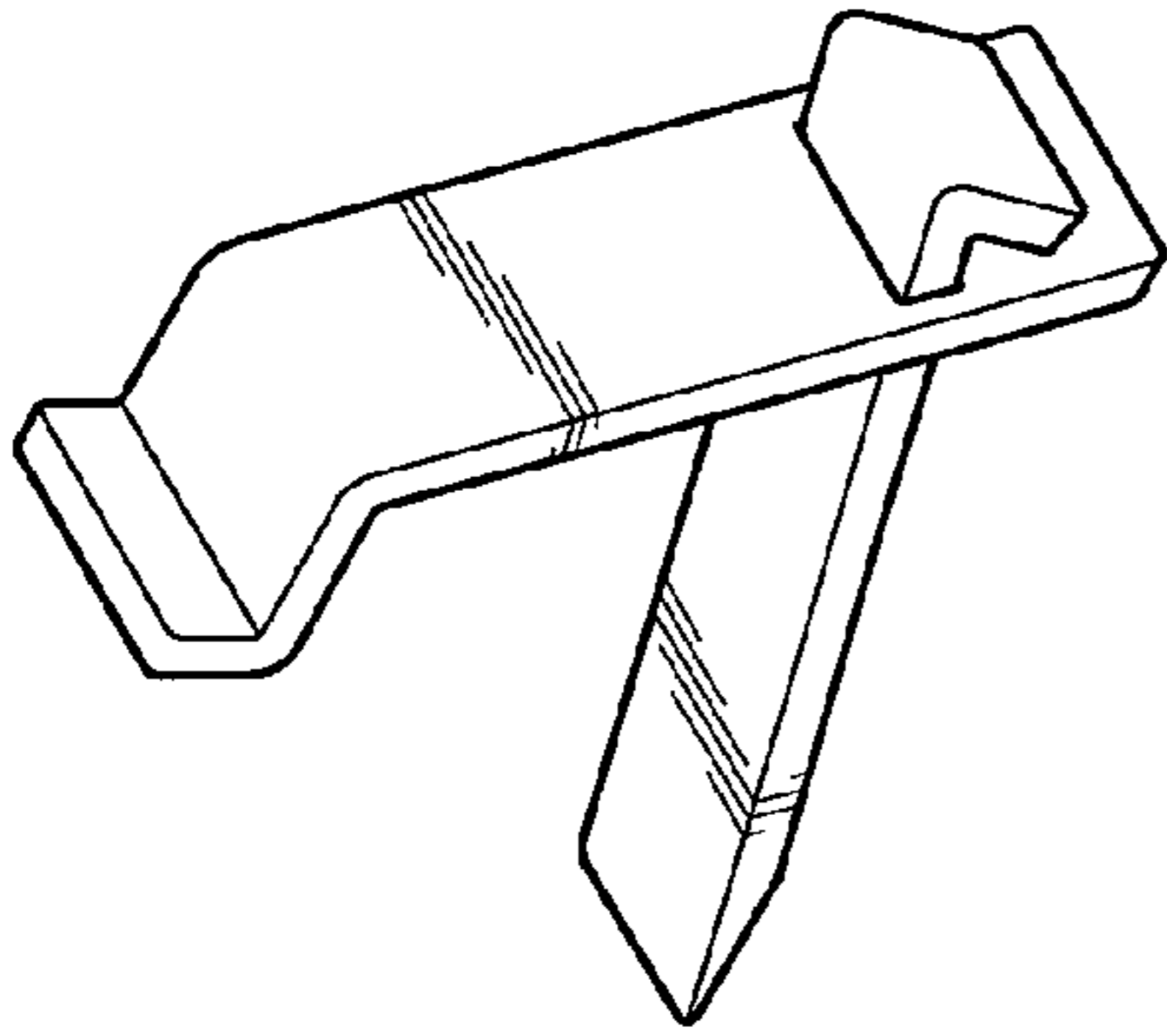
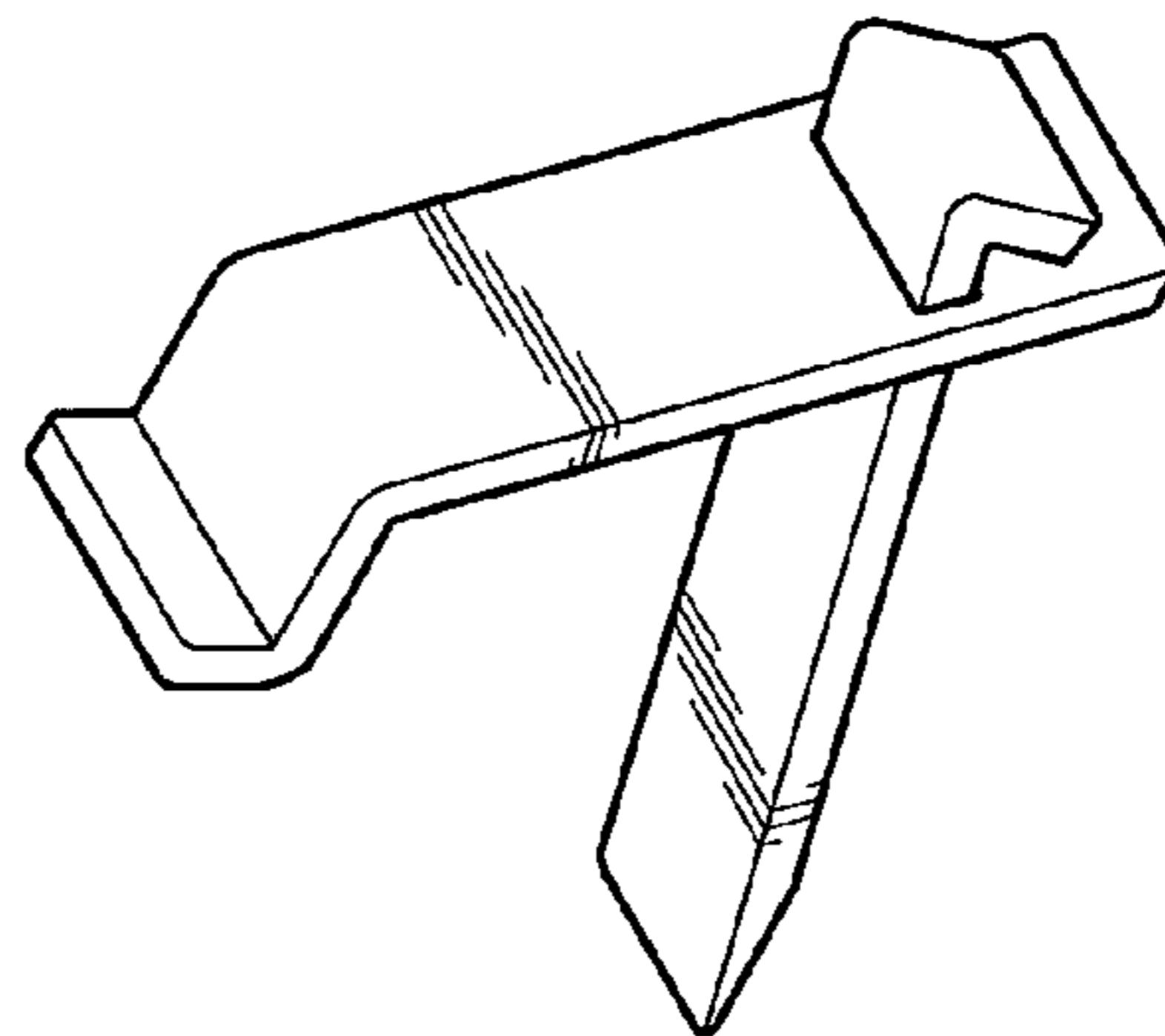


FIG. 2



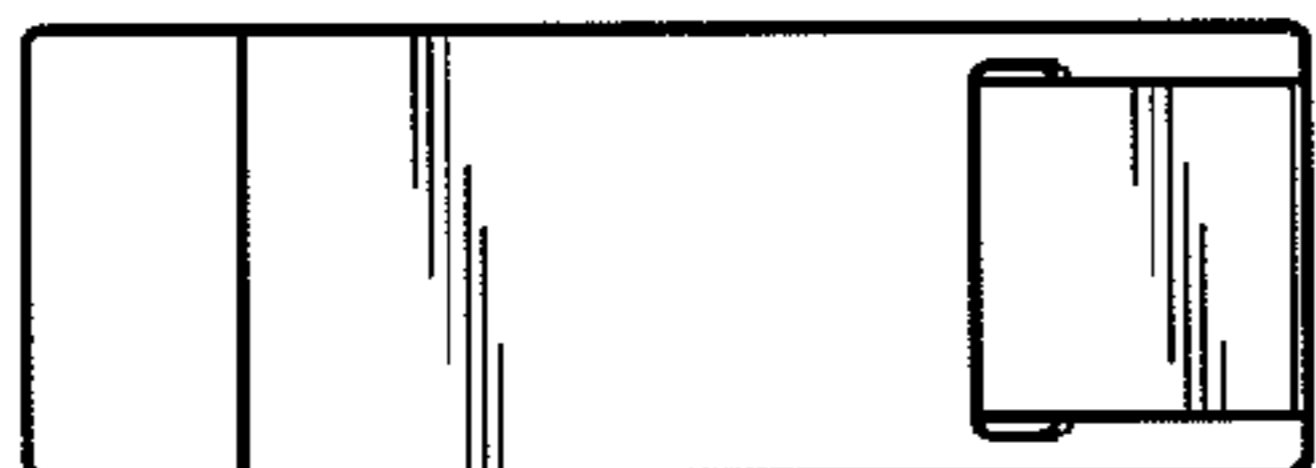


FIG.3

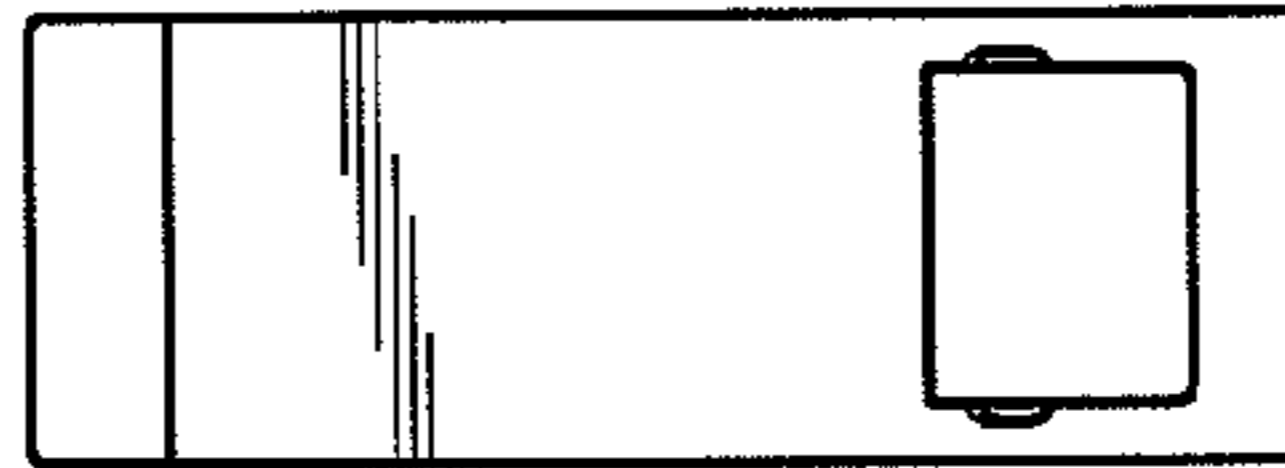
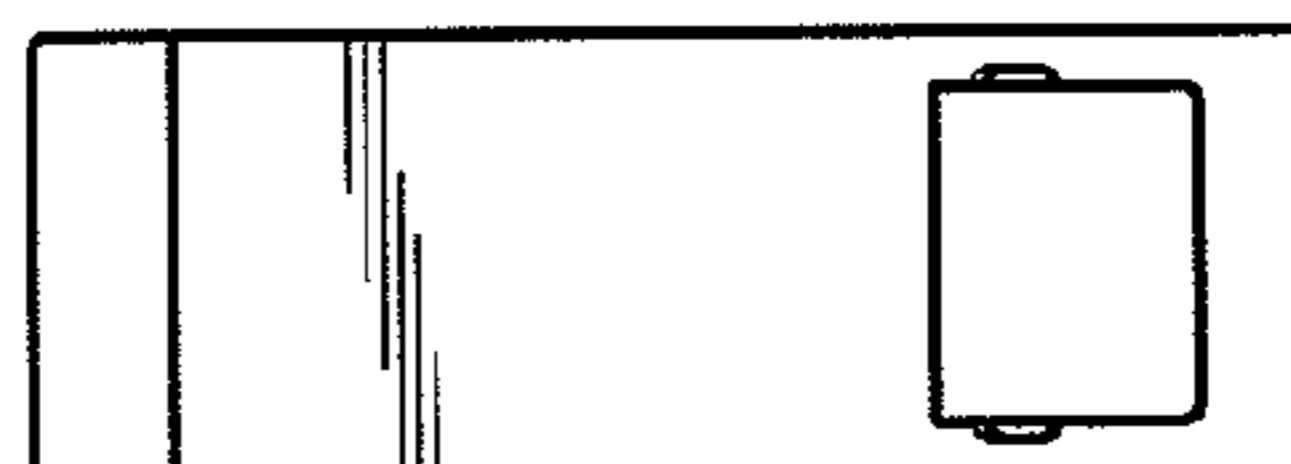
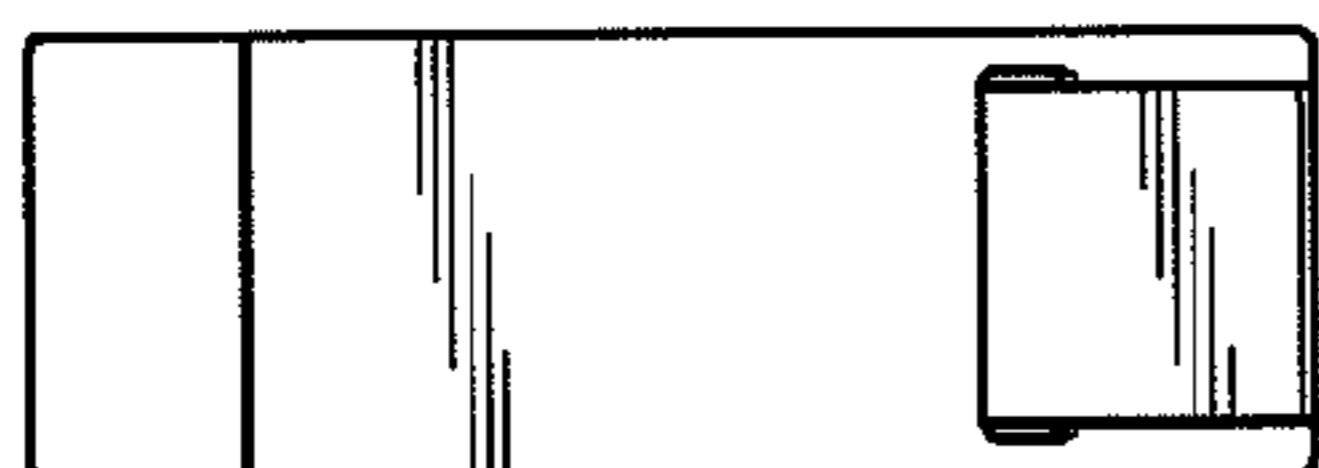


FIG.4



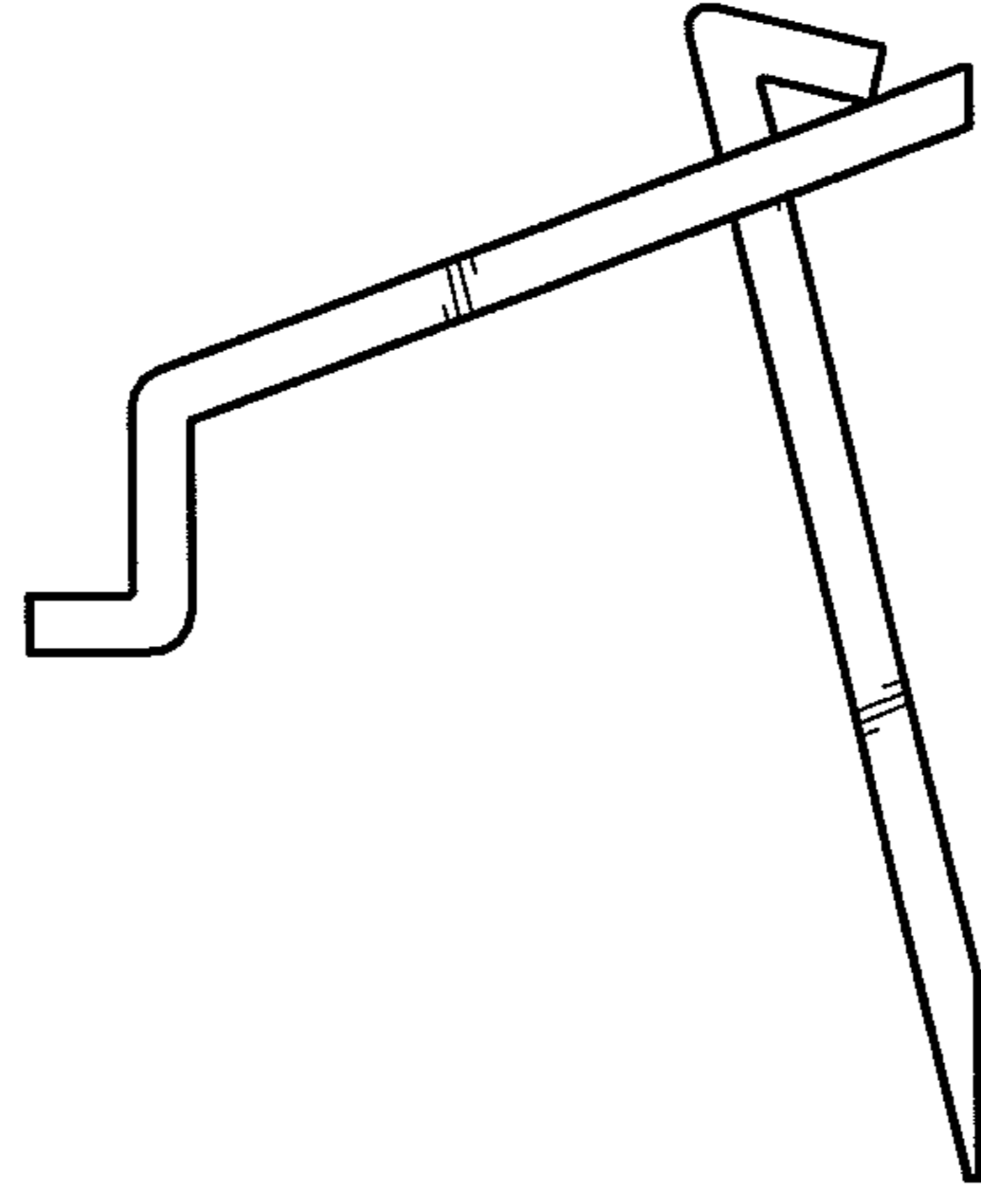


FIG. 6

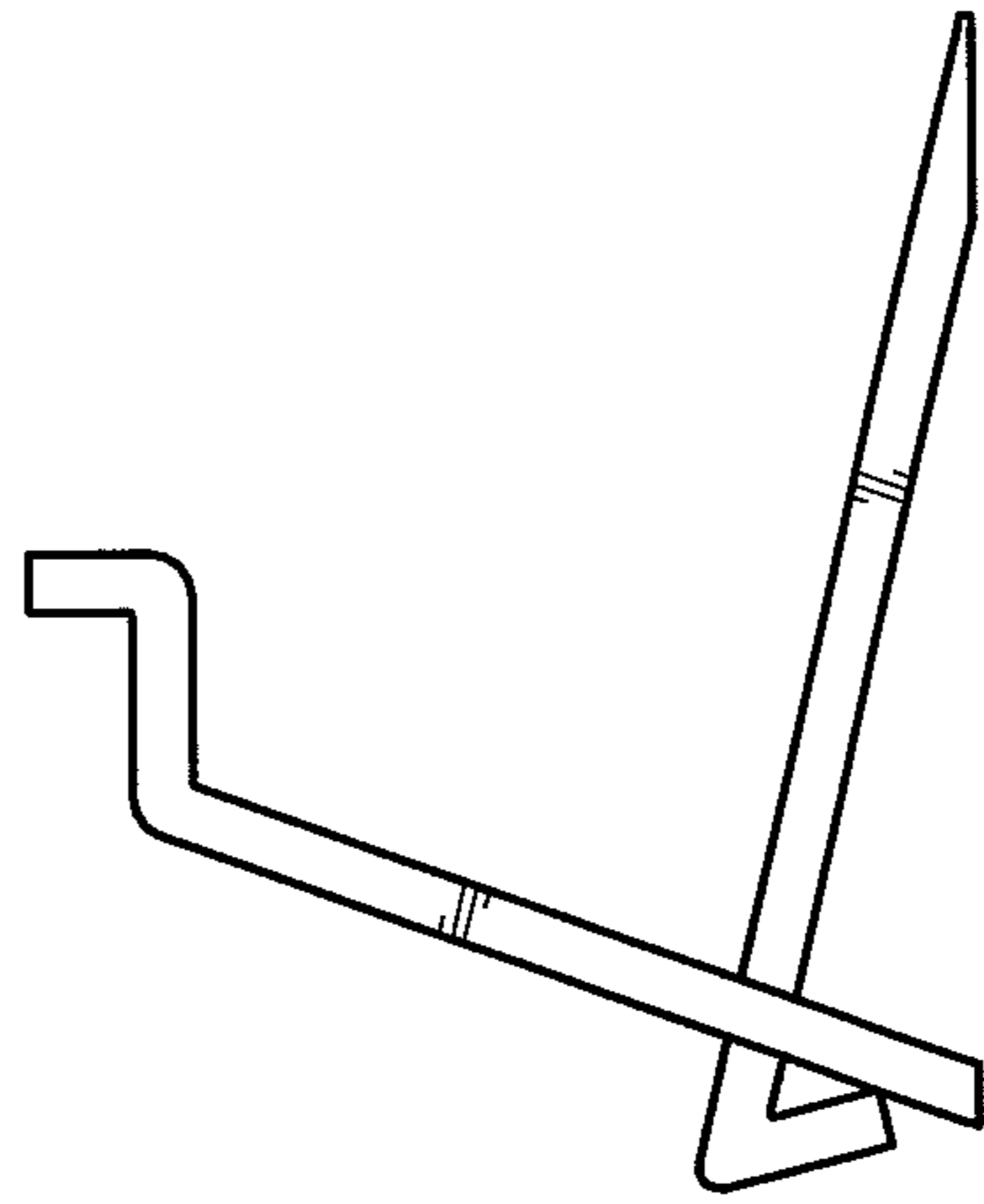


FIG. 5

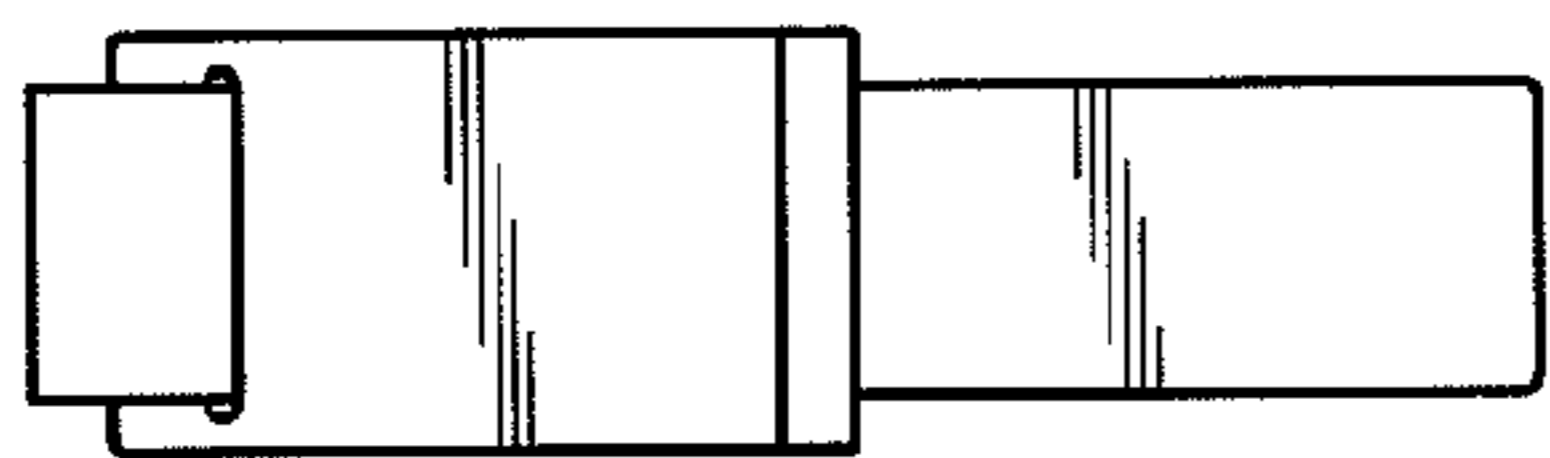


FIG. 7

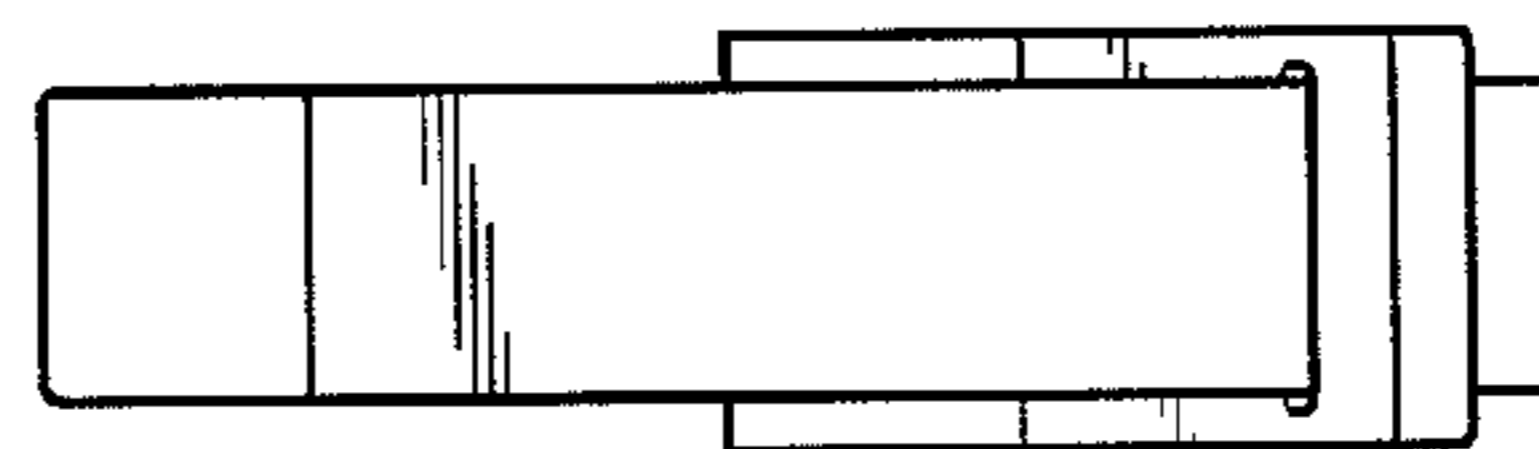
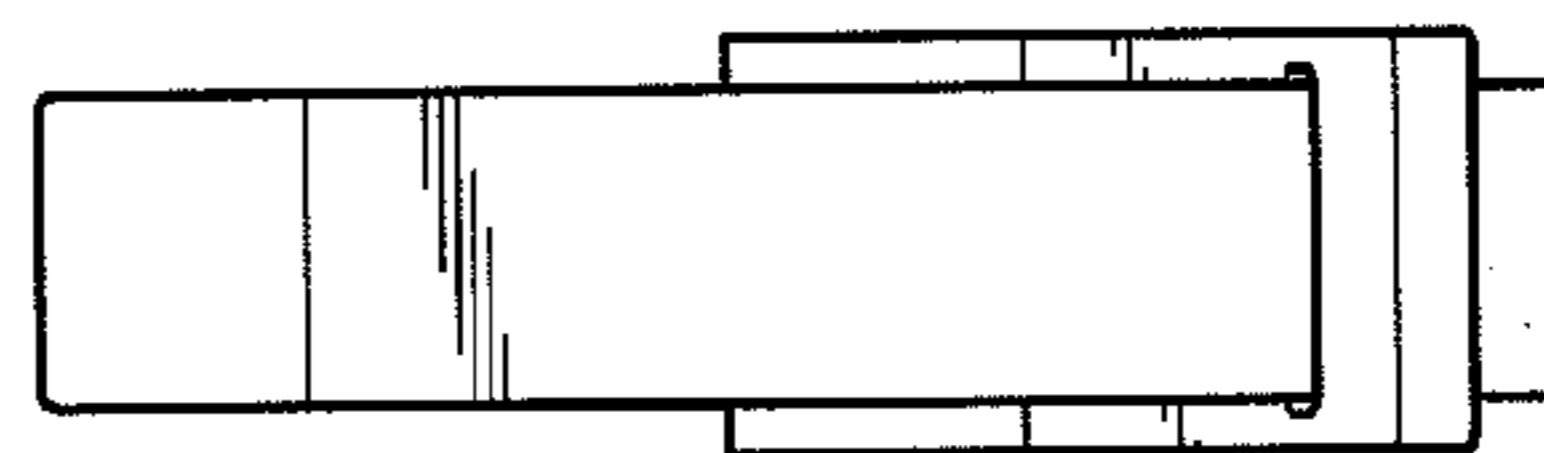
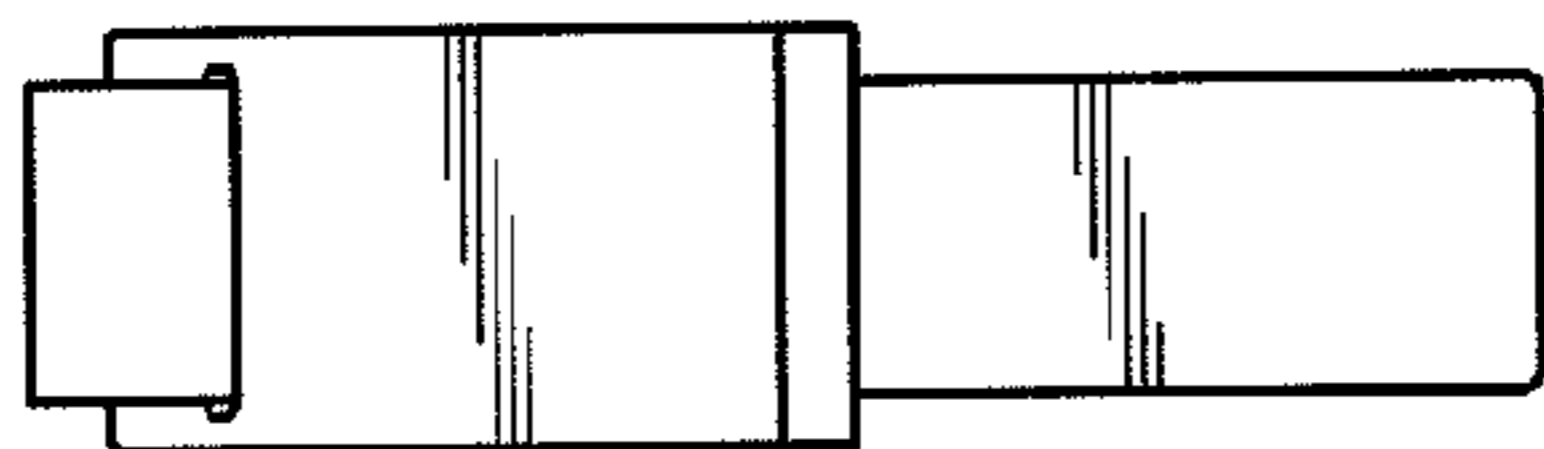


FIG. 8



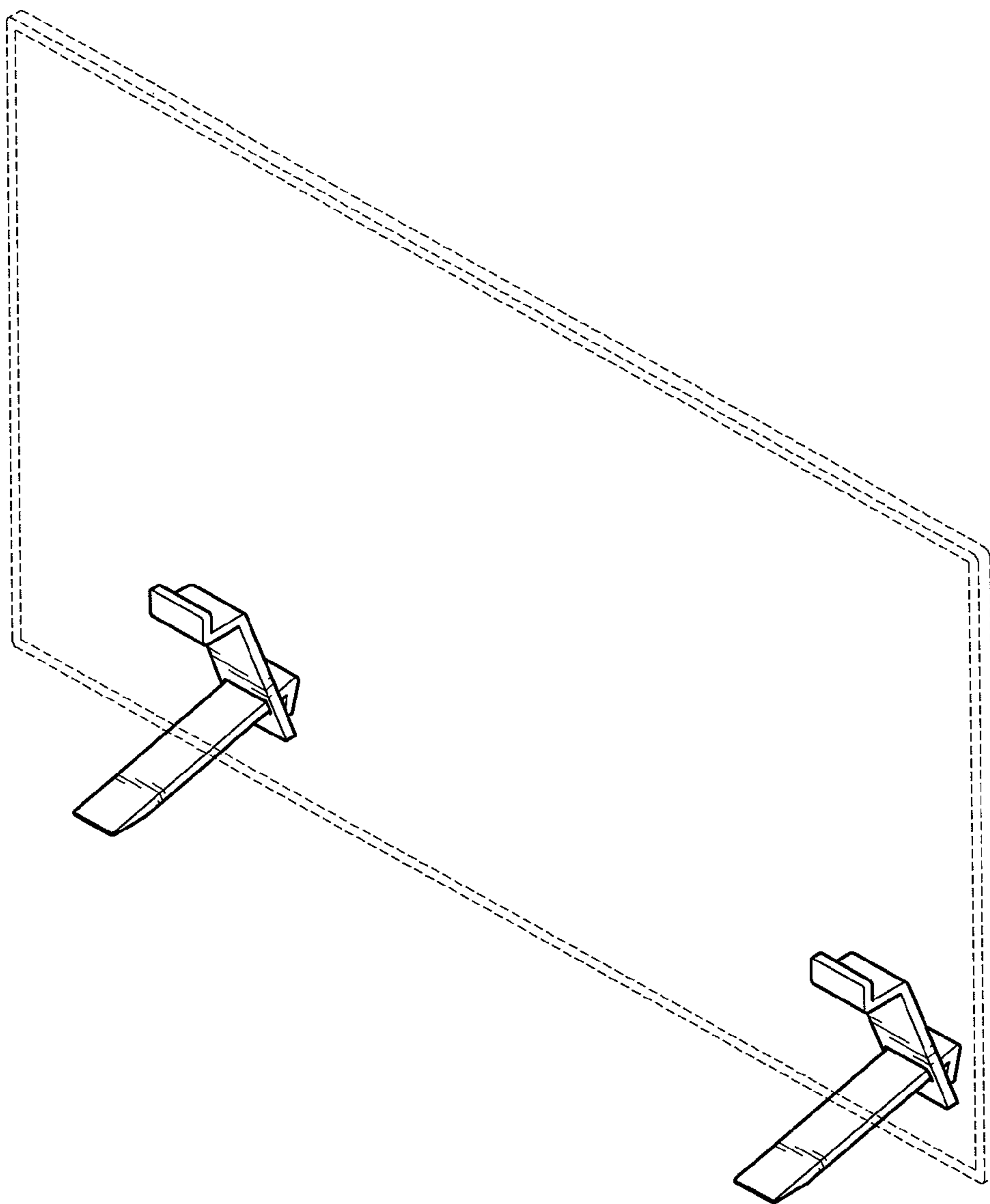


FIG. 9

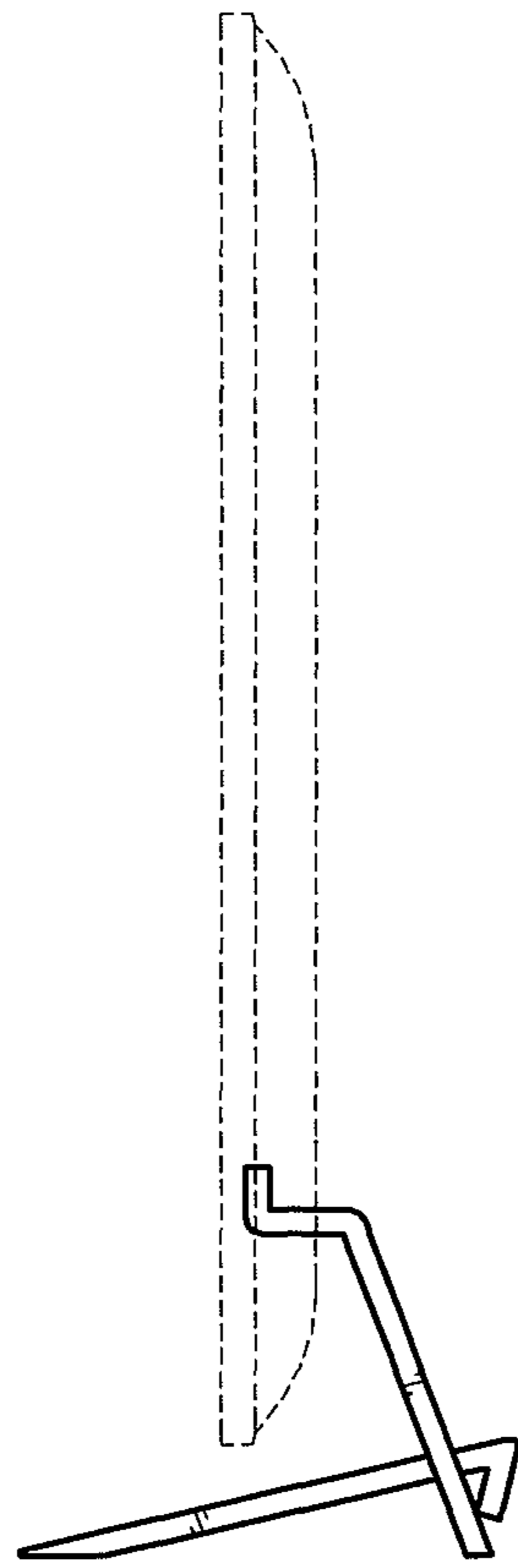


FIG. 10