



US00D698794S

(12) **United States Design Patent**
Li

(10) **Patent No.:** **US D698,794 S**

(45) **Date of Patent:** **** Feb. 4, 2014**

(54) **DISPLAY BASE**

(71) Applicant: **AmTRAN Technology Co., Ltd**, New Taipei (TW)

(72) Inventor: **Yuan-Fu Li**, New Taipei (TW)

(73) Assignee: **AmTRAN Technology Co., Ltd.**, New Taipei (TW)

(**) Term: **14 Years**

(21) Appl. No.: **29/437,608**

(22) Filed: **Nov. 19, 2012**

(51) **LOC (10) Cl.** **08-07**

(52) **U.S. Cl.**
USPC **D14/451**

(58) **Field of Classification Search**
USPC D14/211, 238, 251, 253, 371-375,
D14/125-129, 336, 337, 447, 448, 451, 452,
D14/492; 341/12; 345/104, 156, 168, 173;
348/180, 184, 325, 739; 349/1, 2, 11,
349/62; 361/679.05-679.07, 679.21;
D6/300, 311-313, 308, 708
See application file for complete search history.

(56) **References Cited**

U.S. PATENT DOCUMENTS

D251,647 S *	4/1979	Valien	D6/311
D259,306 S *	5/1981	Licastro, II	D6/300
D451,310 S *	12/2001	Schwartz et al.	D6/495
D457,020 S *	5/2002	Dudley	D6/495
D552,383 S *	10/2007	Glebe	D6/491
D565,054 S *	3/2008	Anderson et al.	D14/452

D649,789 S *	12/2011	Chiu	D6/308
D670,257 S *	11/2012	Yang et al.	D14/126
D671,540 S *	11/2012	Yukawa et al.	D14/336
D679,824 S *	4/2013	Forest	D24/214
D680,106 S *	4/2013	Hwangbo et al.	D14/239
D683,735 S *	6/2013	Chang	D14/451

* cited by examiner

Primary Examiner — Deanna L Pratt

Assistant Examiner — Katie Mroczka

(74) *Attorney, Agent, or Firm* — Muncy, Geissler, Olds & Lowe, PLLC

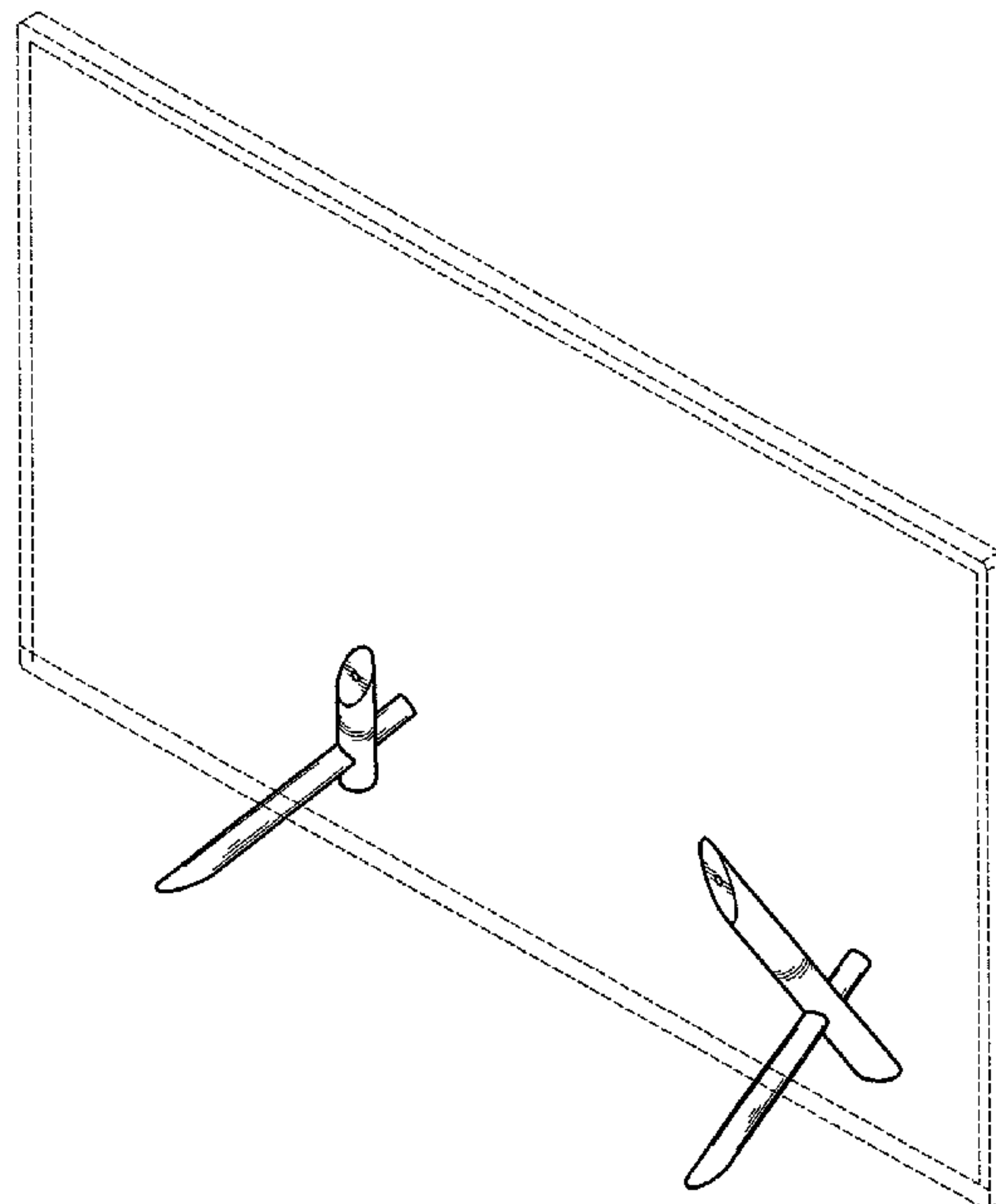
(57) **CLAIM**

The ornamental design for a “display base”, as shown and described.

DESCRIPTION

FIG. 1 is a perspective view of display base showing my new design;
FIG. 2 is a front view thereof;
FIG. 3 is a rear view thereof;
FIG. 4 is a left side elevational view thereof;
FIG. 5 is a right side elevational view thereof;
FIG. 6 is a top view thereof;
FIG. 7 is a bottom view thereof;
FIG. 8 is a reference perspective view showing the usage state of display base; and,
FIG. 9 is a reference side elevational view showing the usage state of display base.
The broken line showing of a display is for the purpose of illustrating environment, and forms no part of the claimed design.

1 Claim, 6 Drawing Sheets



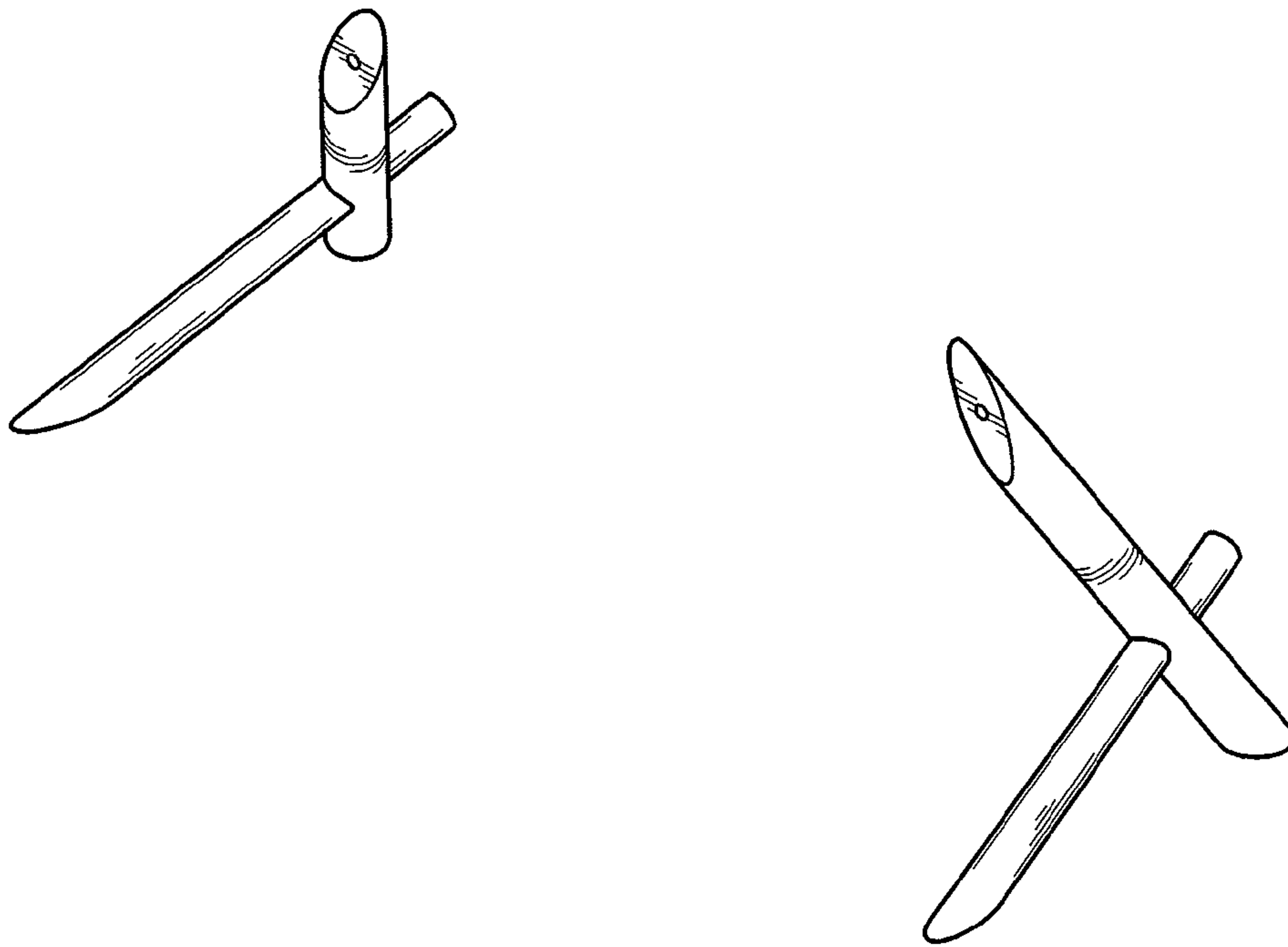


FIG.1

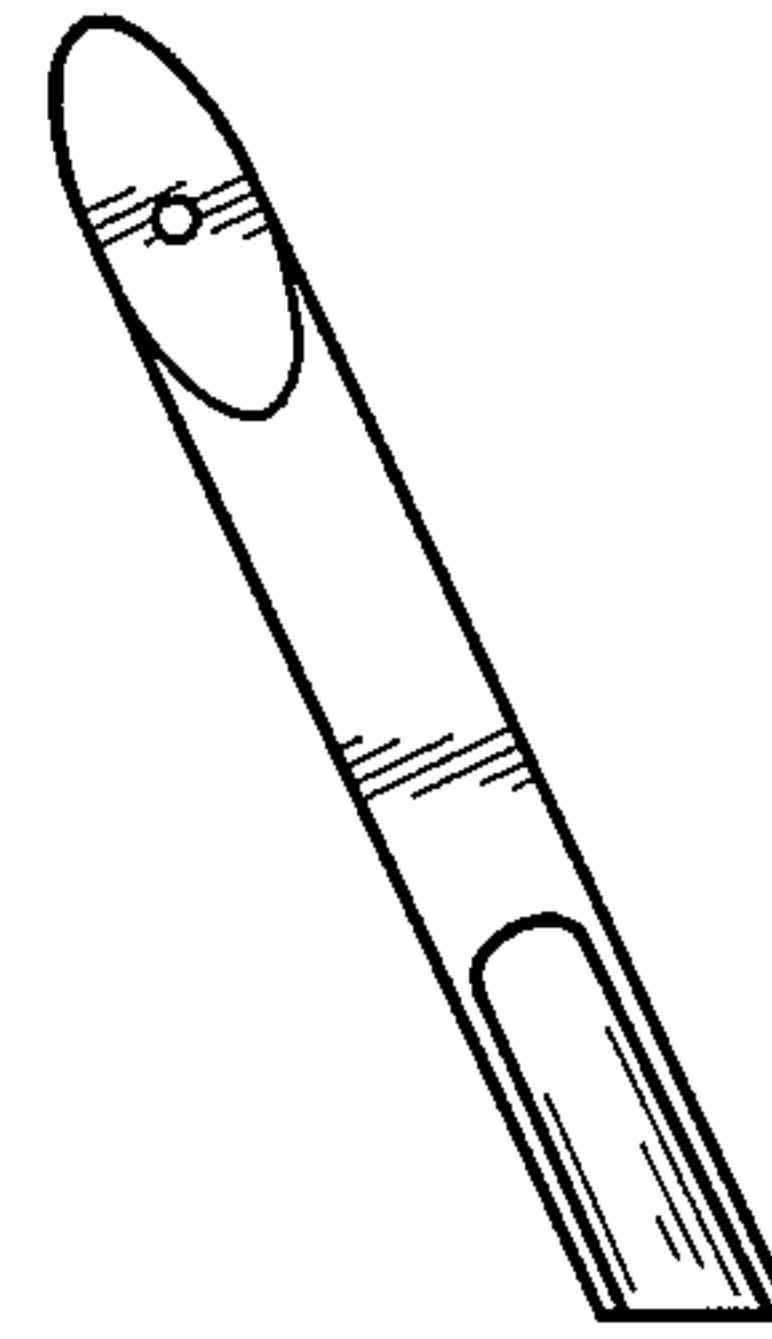
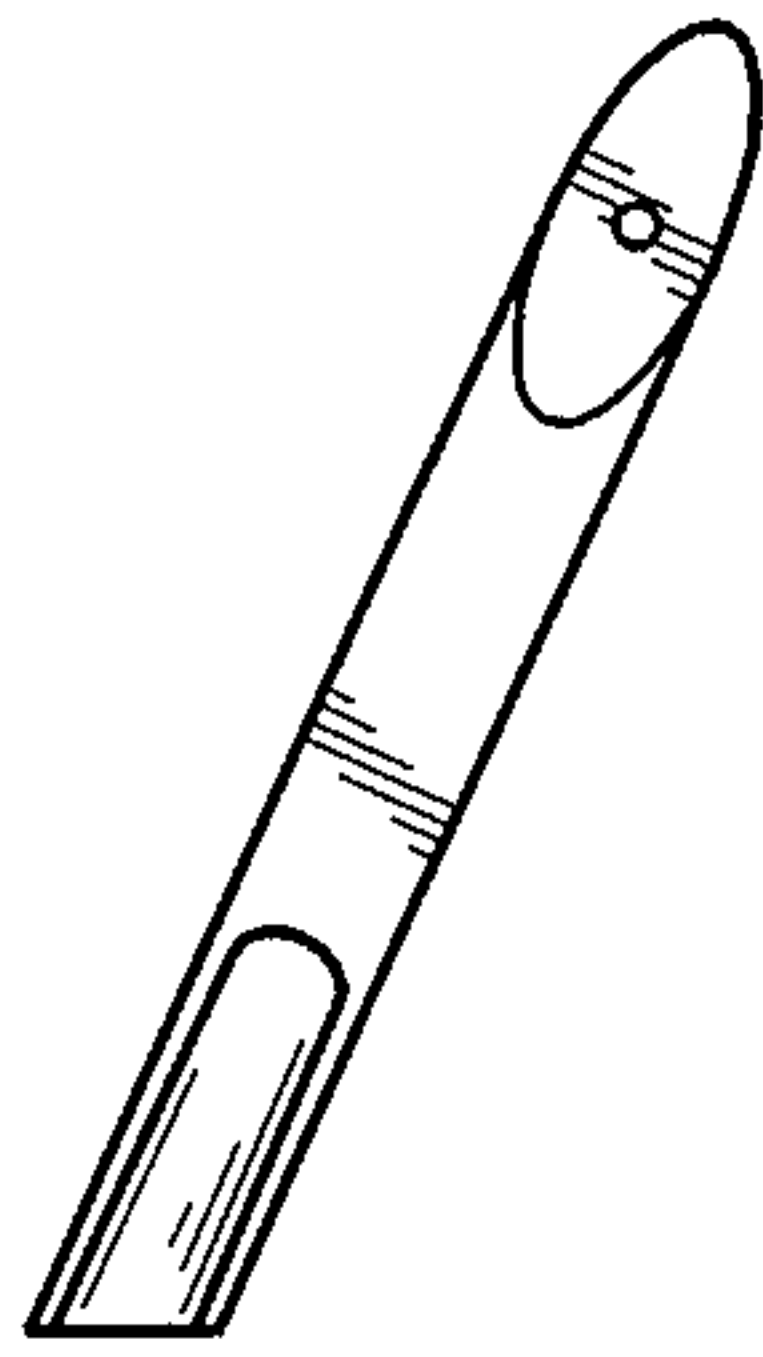


FIG.2

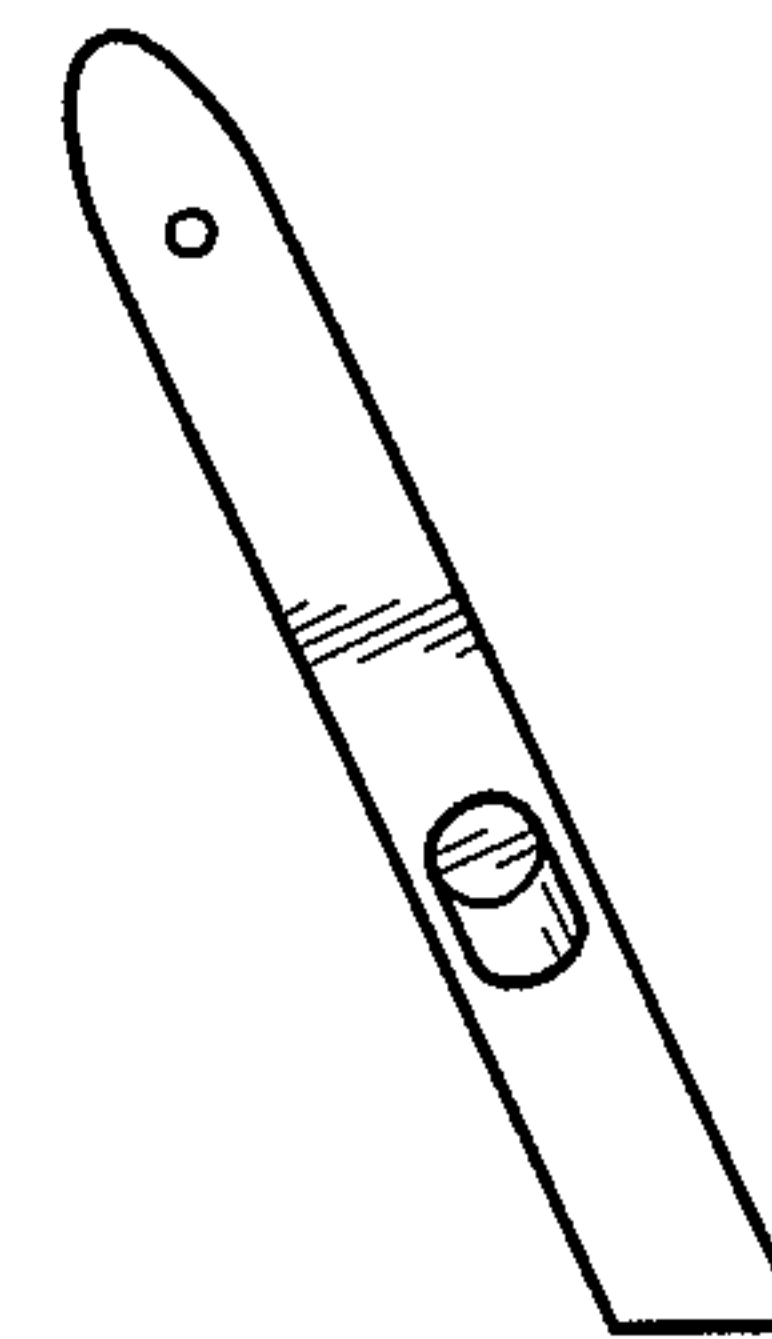
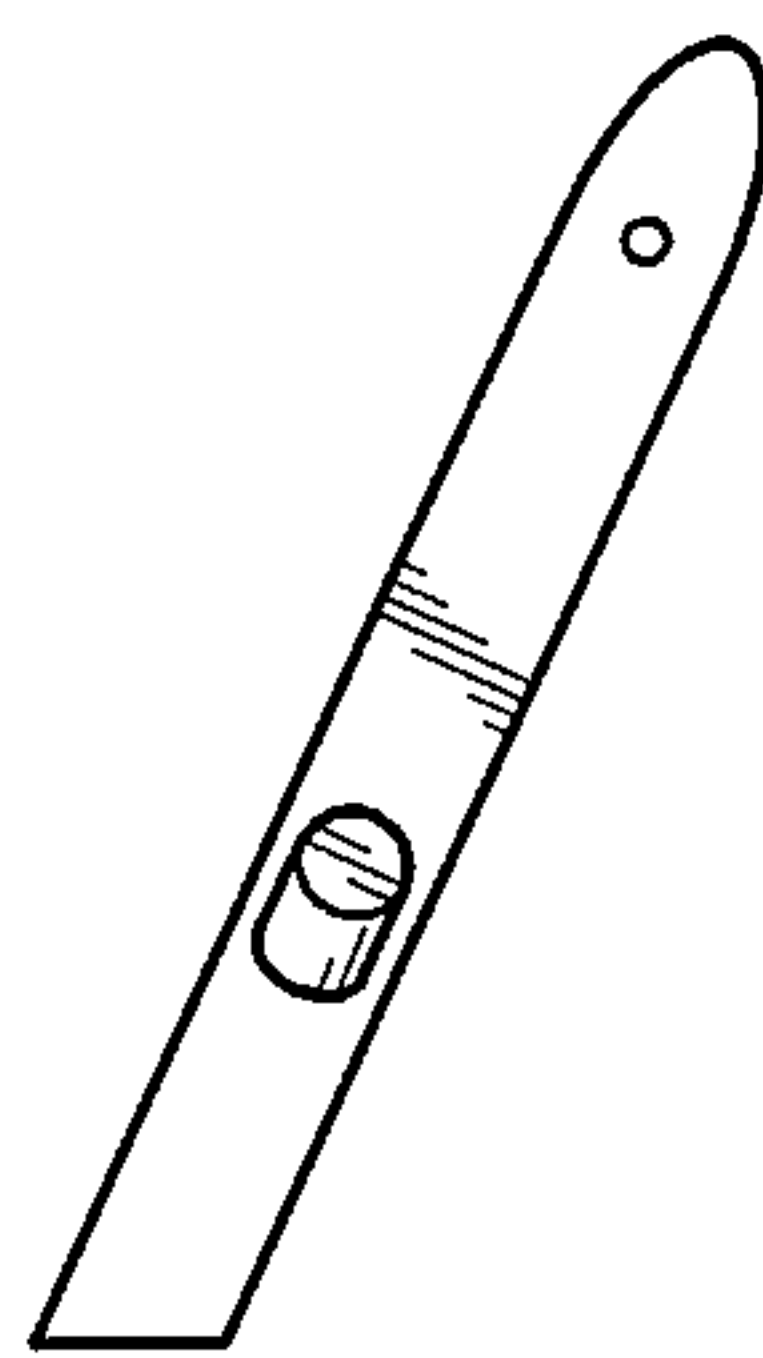


FIG.3

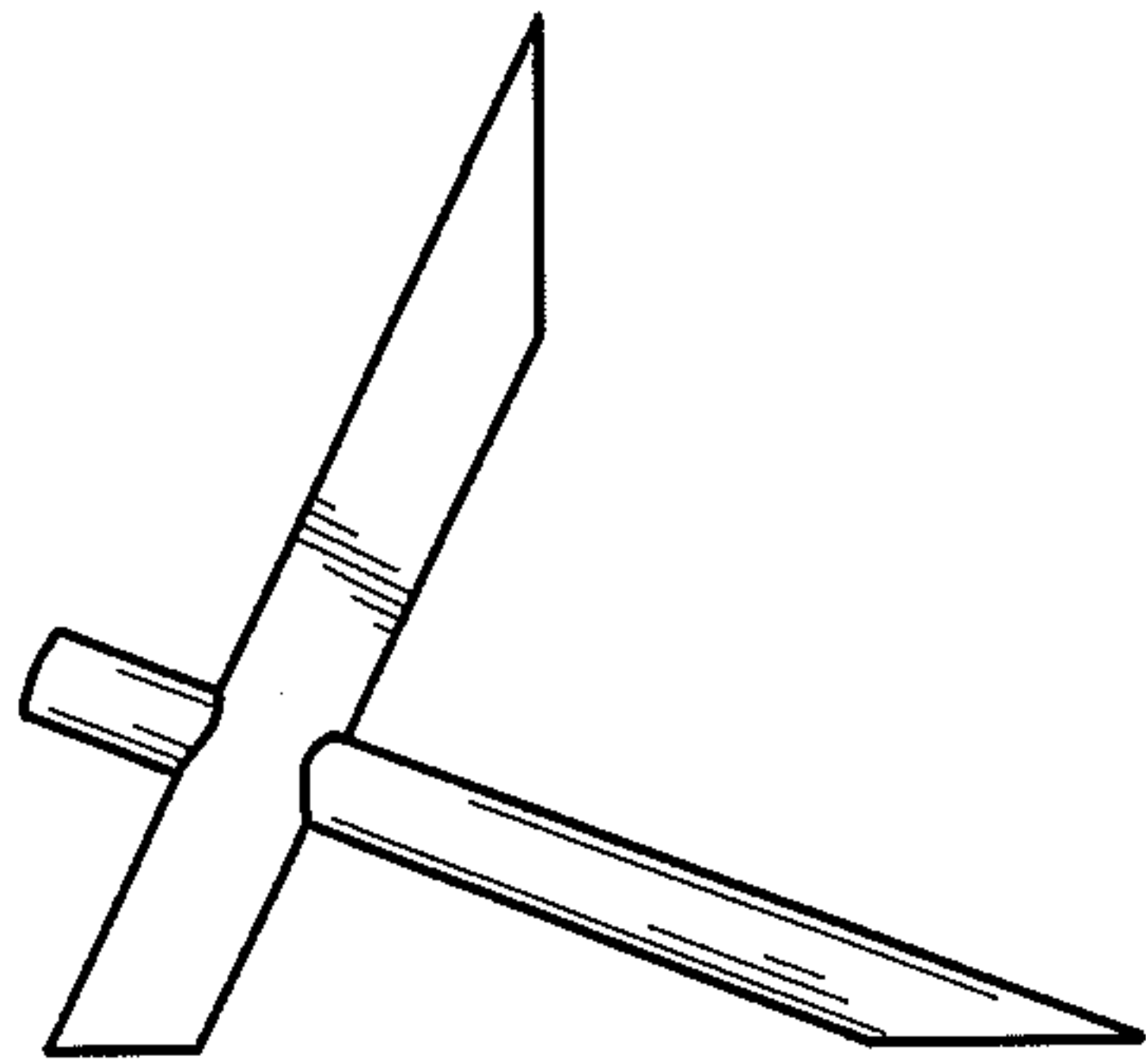


FIG. 4

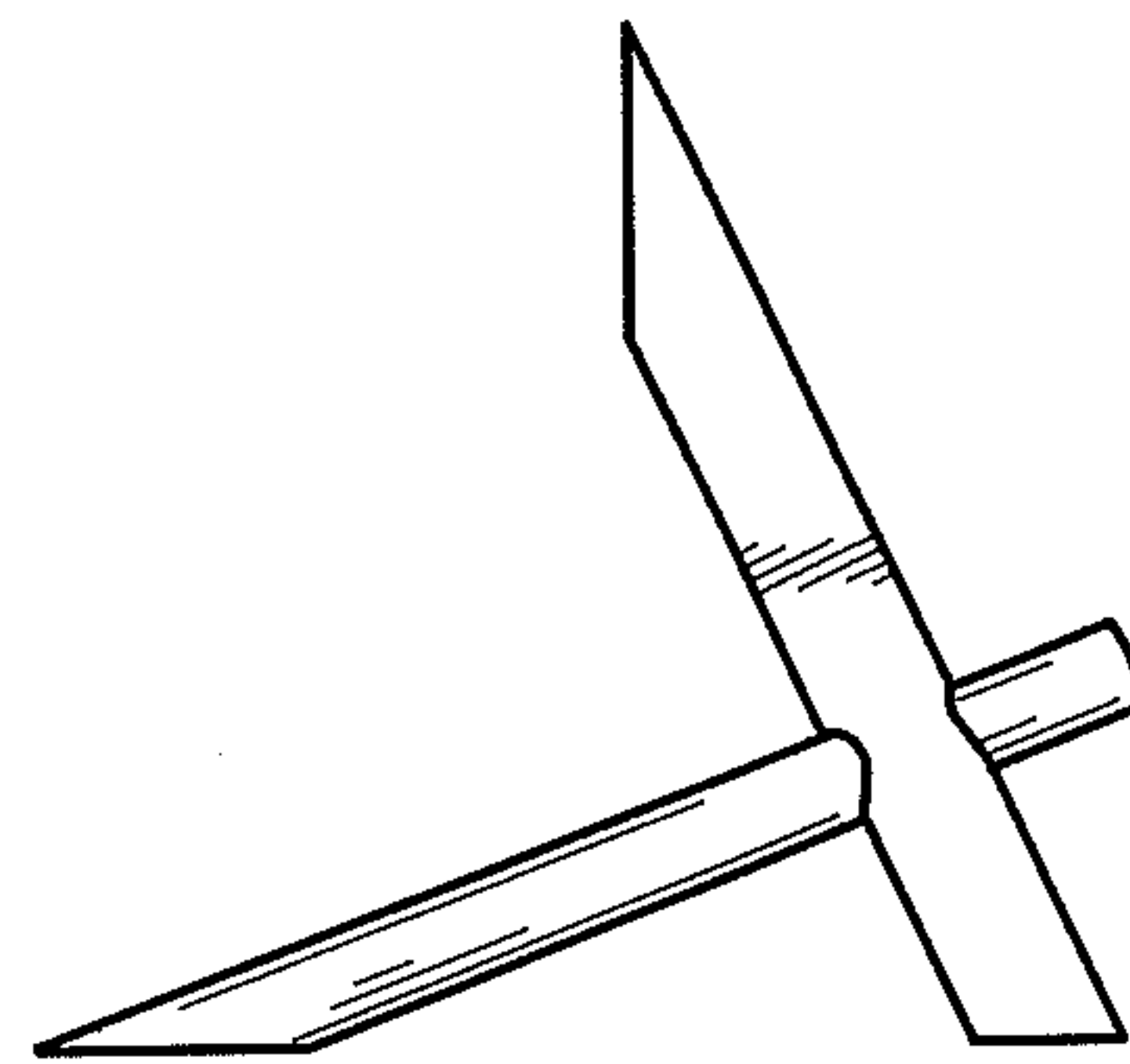


FIG. 5

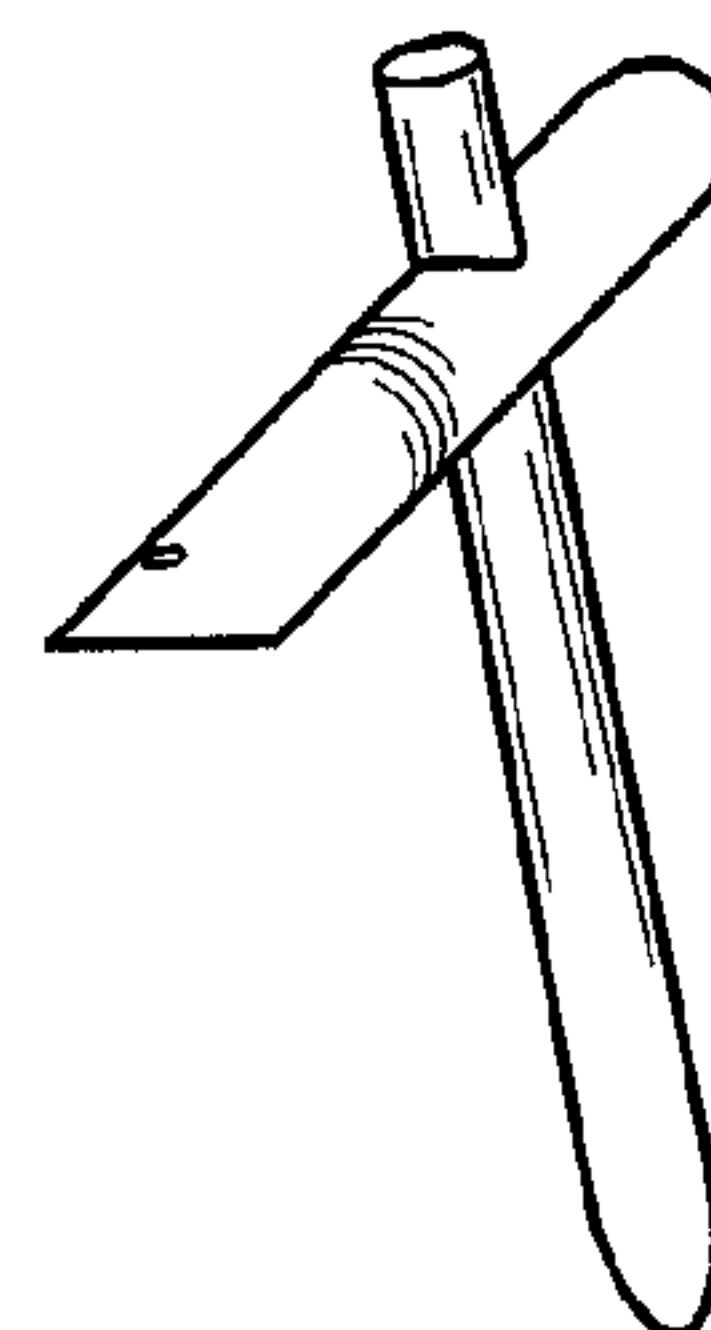
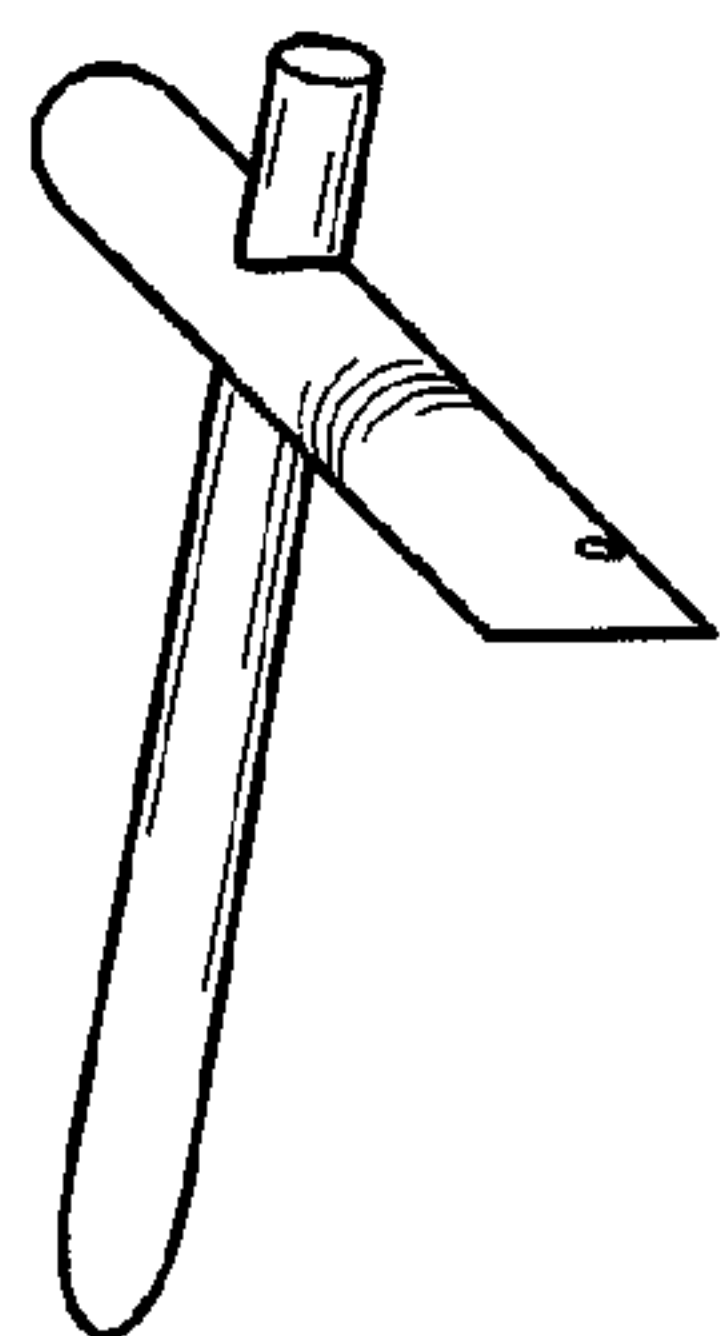


FIG.6

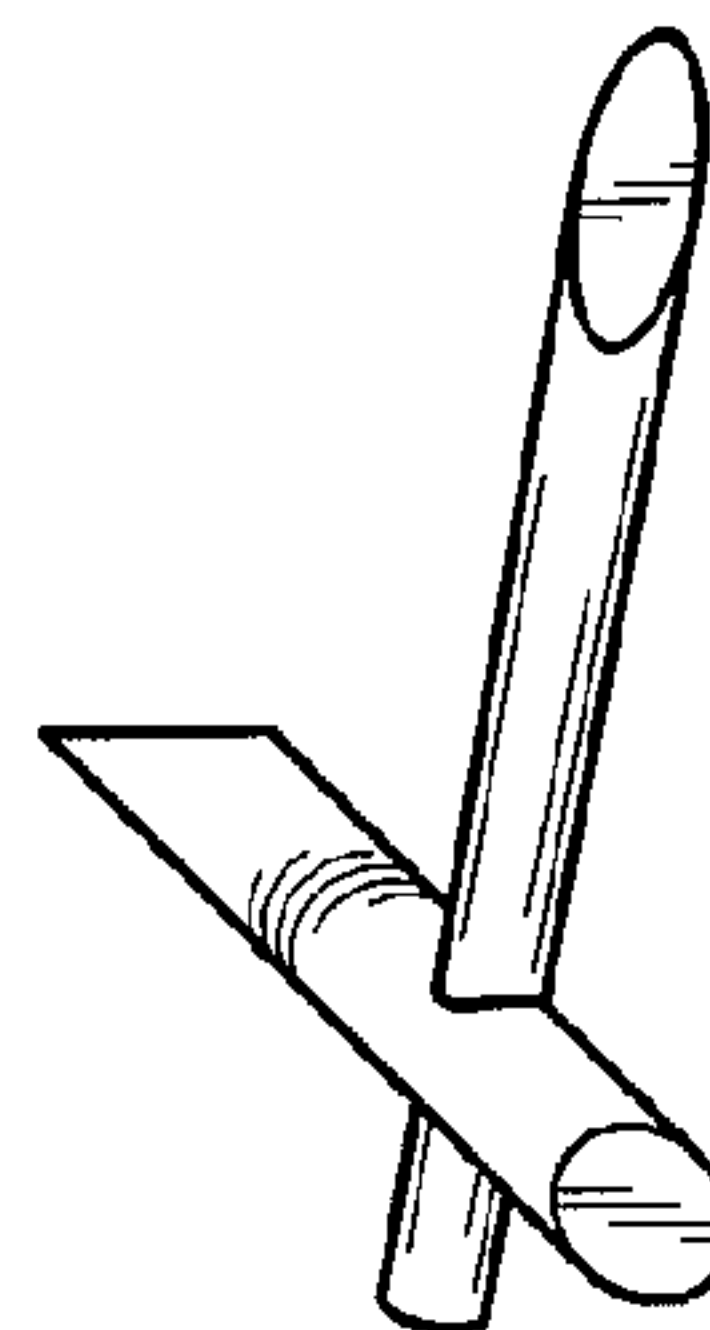
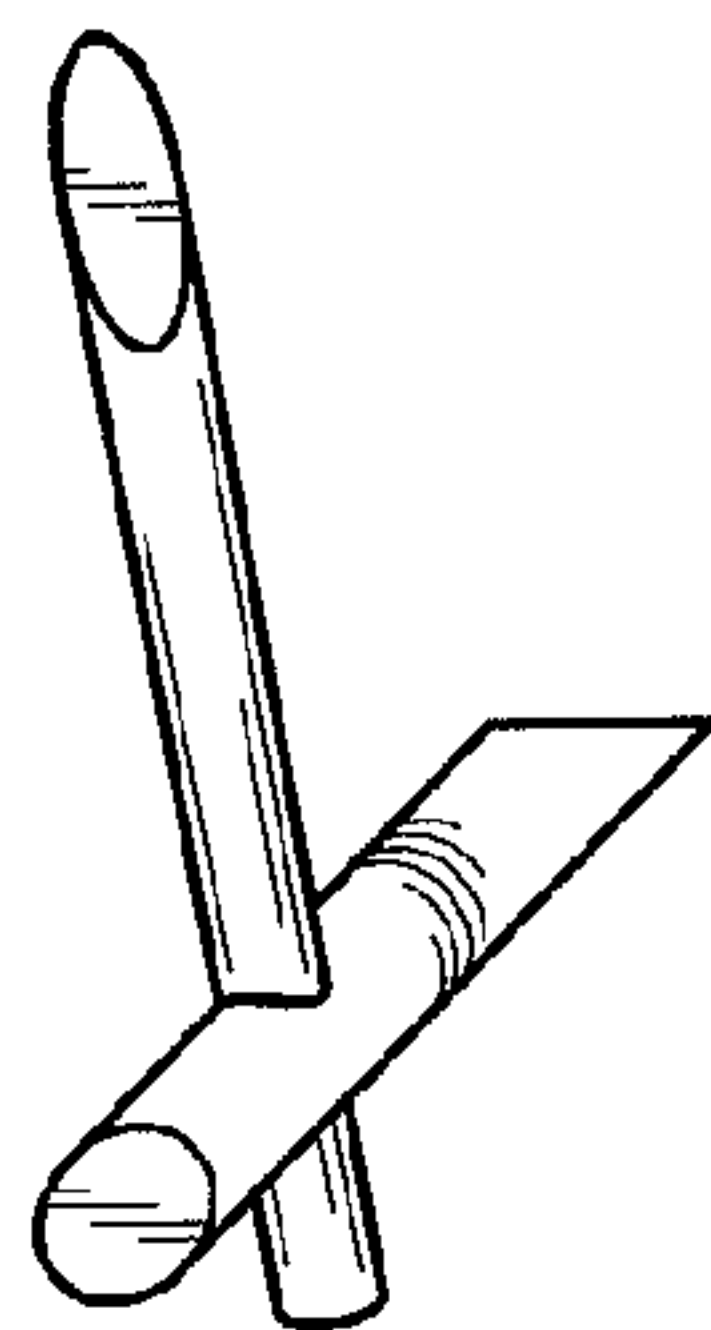


FIG.7

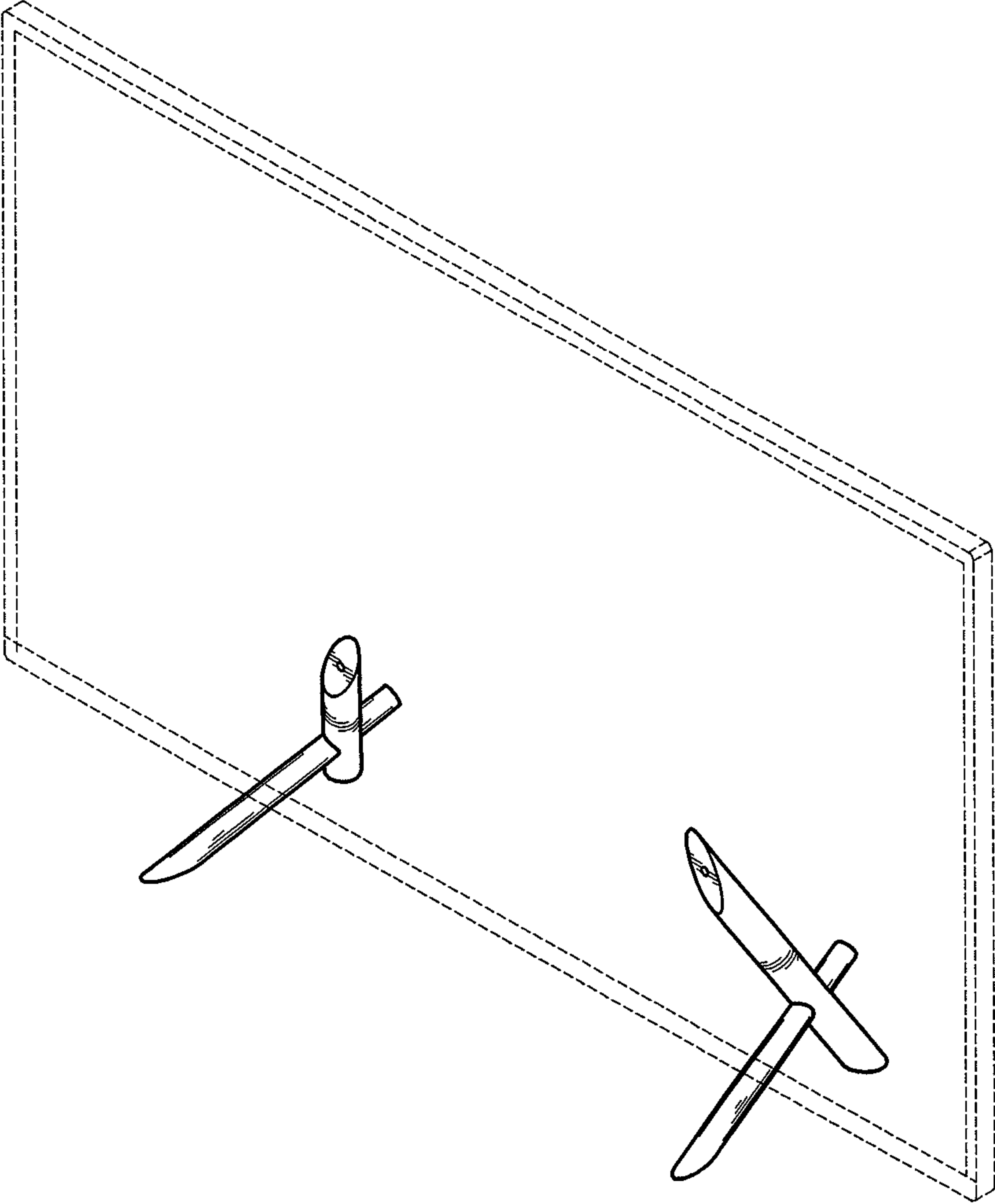


FIG.8

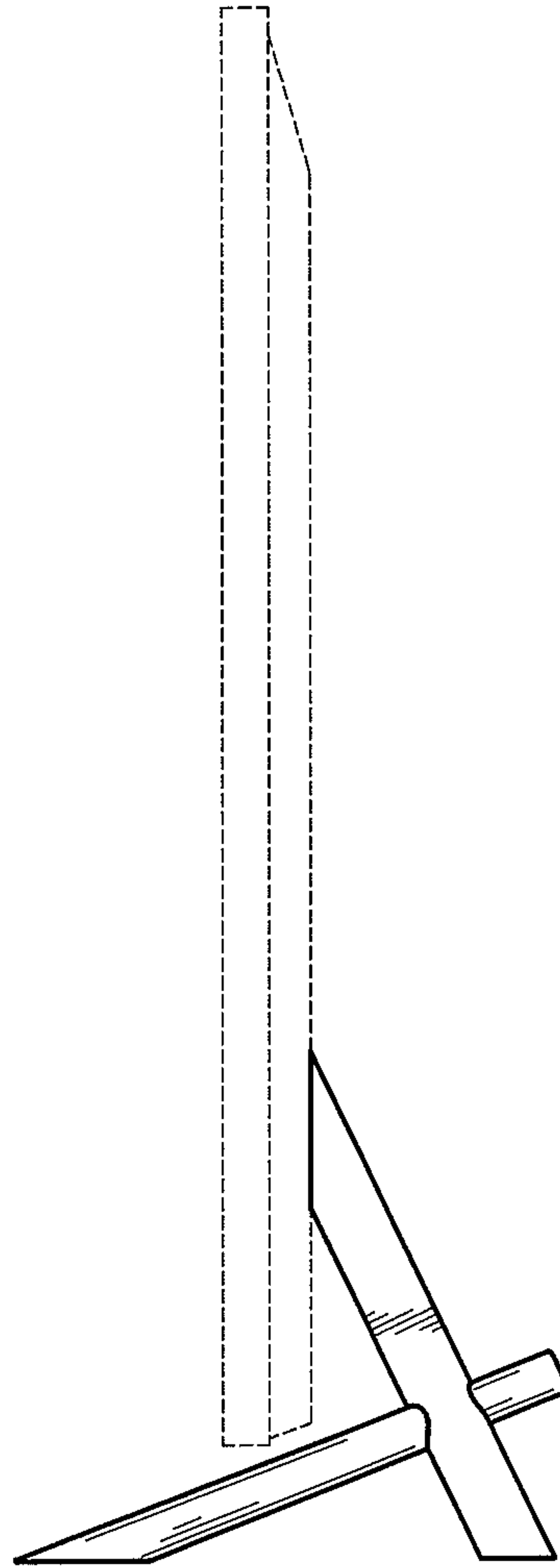


FIG.9