



US00D698793S

(12) **United States Design Patent**
Graham

(10) **Patent No.:** **US D698,793 S**

(45) **Date of Patent:** **** Feb. 4, 2014**

(54) **STAND AND/OR SUPPORT FOR PLANAR OR
TABLET COMPUTING DEVICE**

(76) **Inventor:** **Bernard John Graham, Corbeil (CA)**

(**) **Term:** **14 Years**

(21) **Appl. No.:** **29/388,812**

(22) **Filed:** **Apr. 1, 2011**

(51) **LOC (10) Cl.** **08-07**

(52) **U.S. Cl.**
USPC **D14/447**

(58) **Field of Classification Search**
USPC D14/447, 432, 433, 434, 439, 440, 451,
D14/452, 457, 239, 251, 253, 217, 374, 375,
D14/376, 377, 902, 216, 209.1, 204;
D12/415, 416; D3/218, 274, 318, 321,
D3/328; D6/406.3, 406.4; 190/117;
361/679.03, 679.09, 679.05, 679.26,
361/679.3, 679.55, 679.56, 679.27;
248/176.1, 917, 918, 919, 920, 921,
248/922, 923, 924, 682, 689, 690, 691, 692,
248/441.1, 444, 447, 451, 460, 463, 118,
248/118.5, 149, 150, 166, 434, 177.1;
D10/113.4; D16/242, 244, 245;
108/42, 152; 224/275

See application file for complete search history.

(56) **References Cited**

U.S. PATENT DOCUMENTS

D374,798 S * 10/1996 Pippins, Jr. D7/553.4
D449,048 S * 10/2001 Yu et al. D14/439

D454,573 S * 3/2002 Richter D14/457
D573,597 S * 7/2008 Shieh D14/439
D574,375 S * 8/2008 Prest et al. D14/253
D620,942 S * 8/2010 Huang D14/447
D634,329 S * 3/2011 Wastrom D14/457
D652,836 S * 1/2012 Voorhees D14/447
D657,795 S * 4/2012 Smith et al. D14/447
D660,306 S * 5/2012 Voorhees D14/447
D661,308 S * 6/2012 Capozzoli, II D14/447
2011/0240830 A1 * 10/2011 Alemozafar et al. 248/689
2012/0068043 A1 * 3/2012 Daigle et al. 248/682

* cited by examiner

Primary Examiner — Angela J Lee

(74) *Attorney, Agent, or Firm* — Paul D. Bangor, Jr.; Clark Hill Thorp Reed

(57) **CLAIM**

The ornamental design for a stand and/or support for planar or tablet computing device, as shown and described.

DESCRIPTION

FIG. 1 is a perspective view of a first embodiment of a stand and/or support for planar or tablet computing device showing my new design;

FIG. 2 is a top plan view thereof;

FIG. 3 is a bottom plan view thereof;

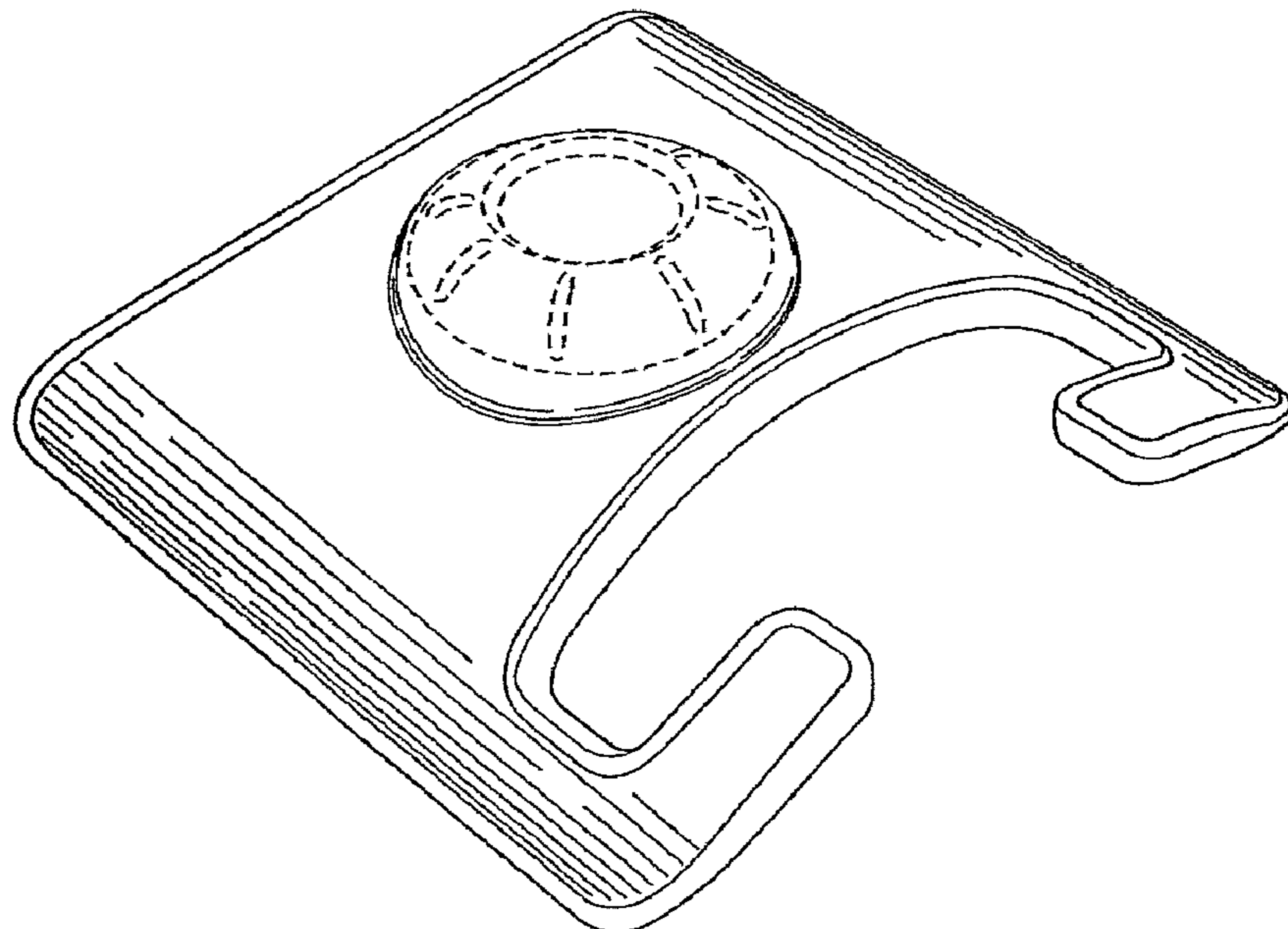
FIG. 4 is a front elevational view thereof;

FIG. 5 is a rear elevational view thereof;

FIG. 6 is a left elevational view thereof; and,

FIG. 7 is a right elevational view thereof.

1 Claim, 3 Drawing Sheets



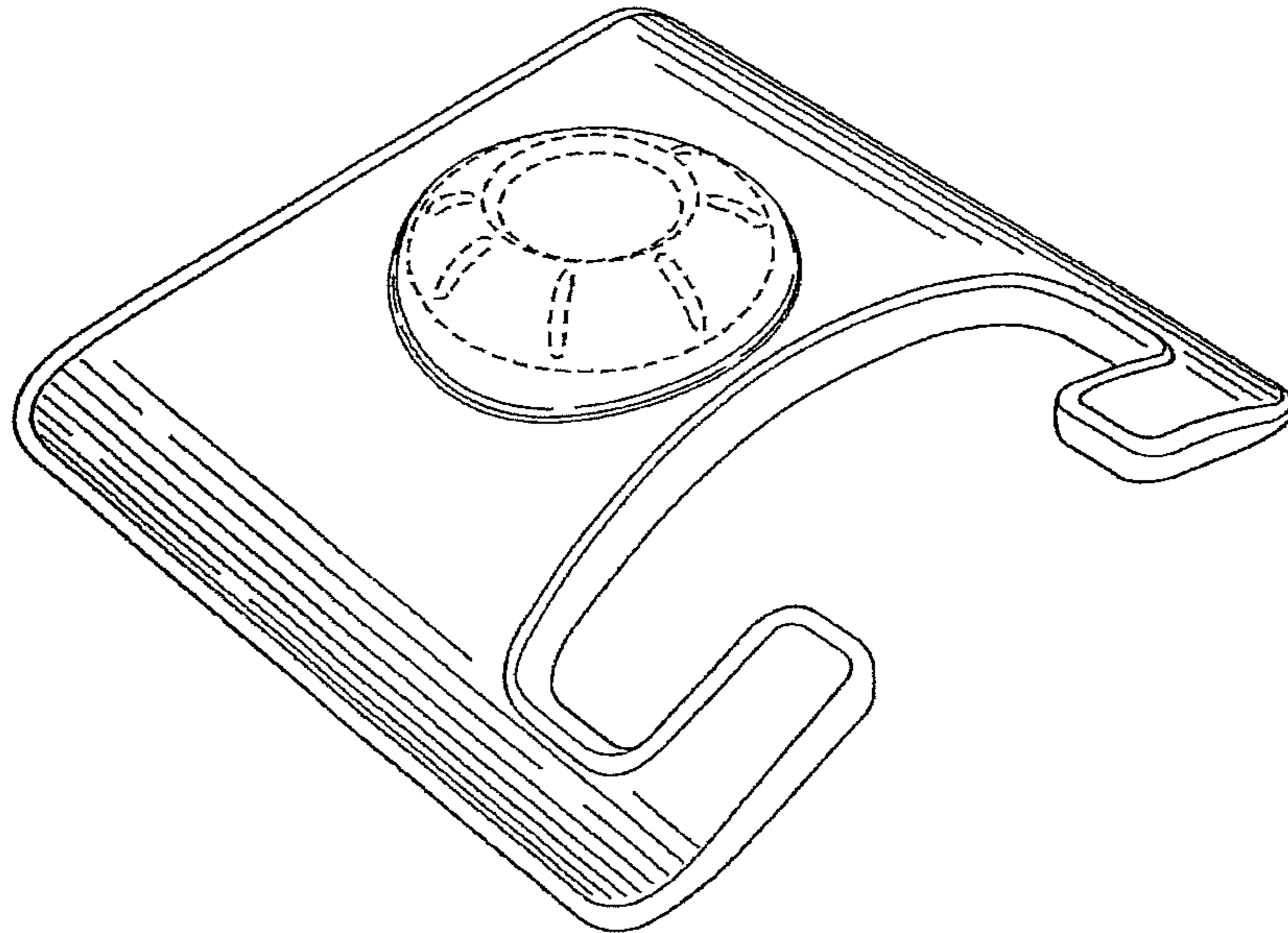


Fig. 1

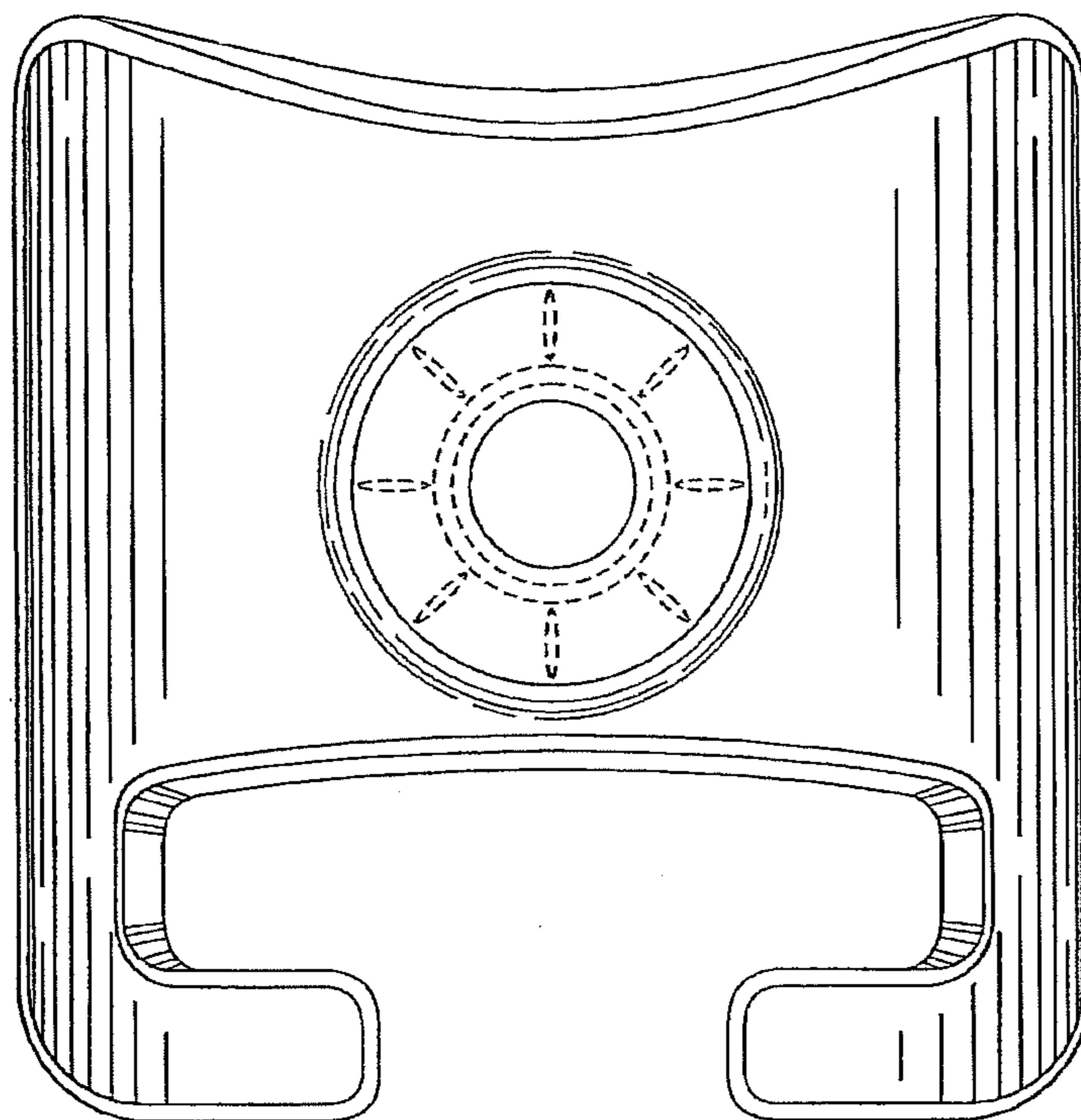


Fig. 2

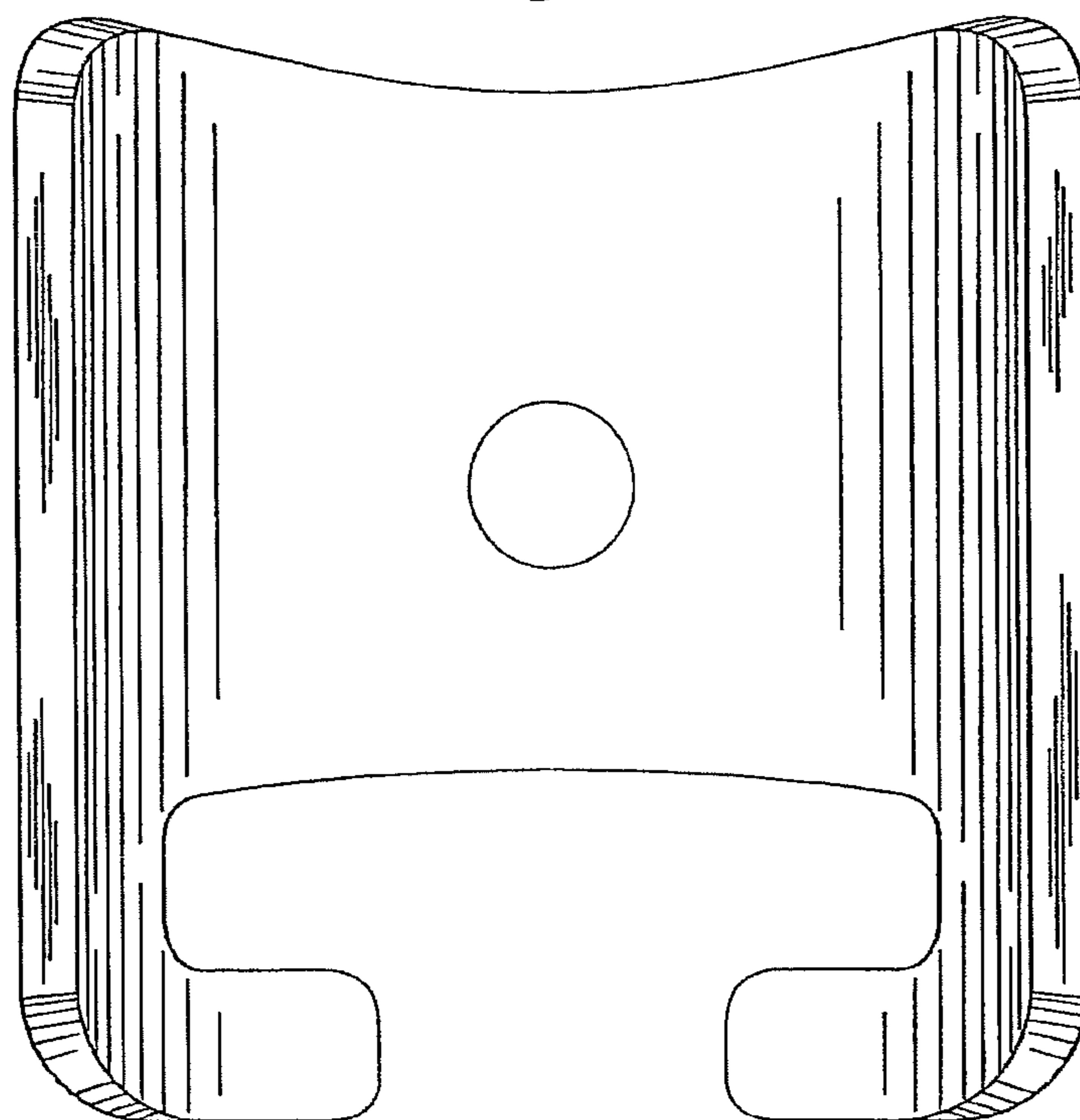


Fig. 3



Fig. 4

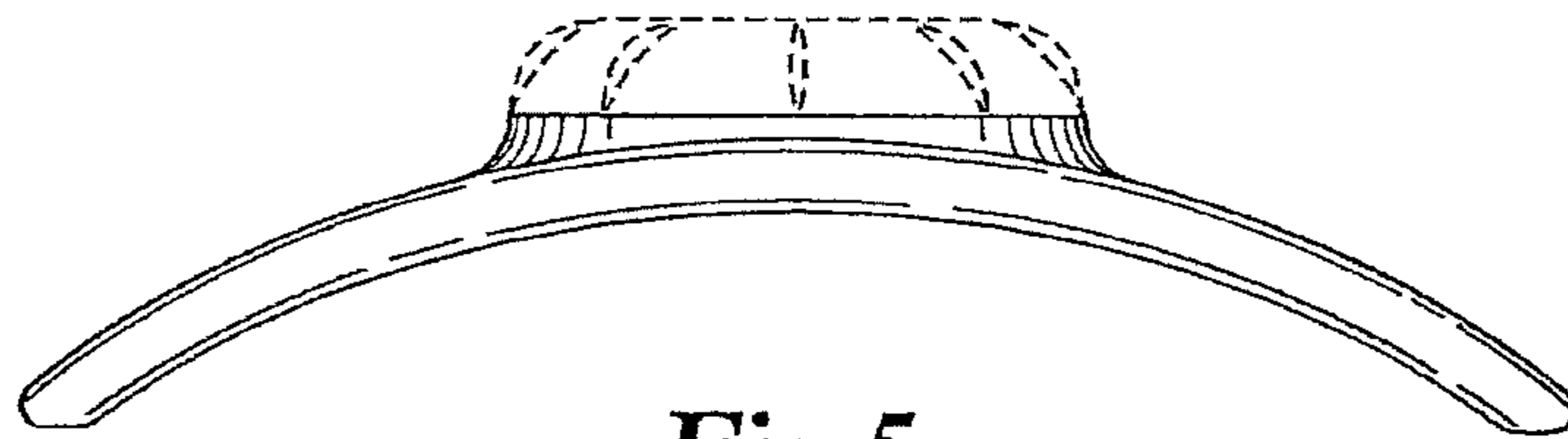


Fig. 5

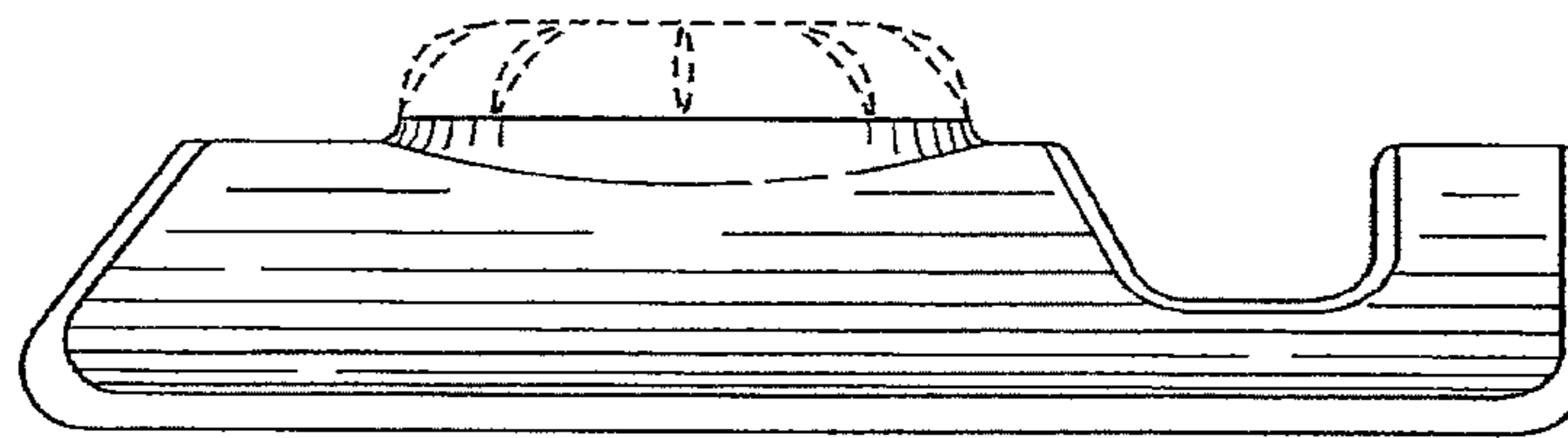


Fig. 6

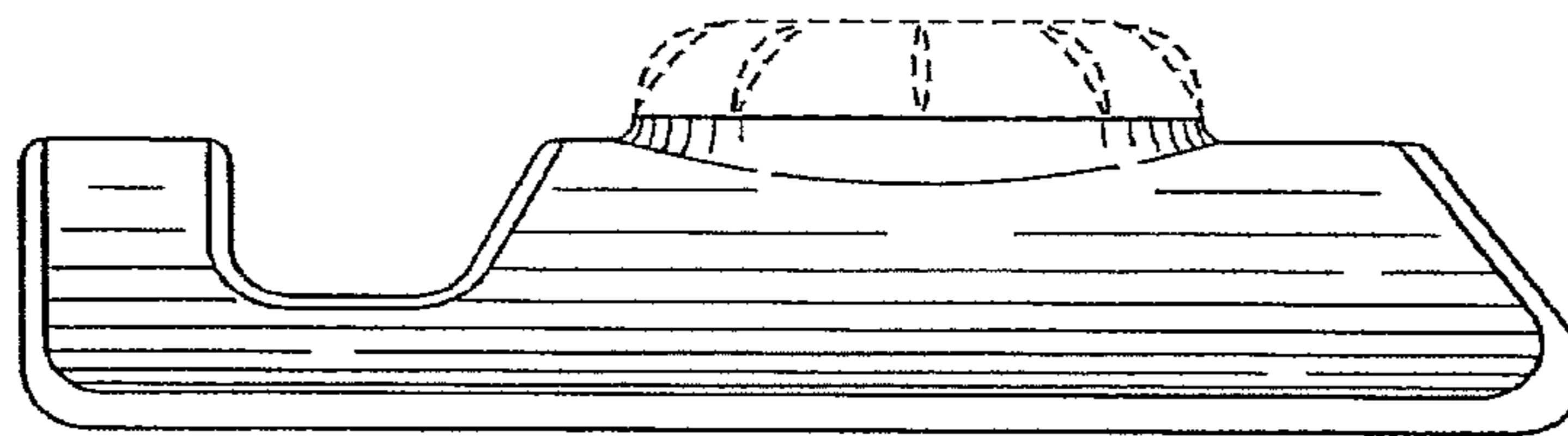


Fig. 7