

US00D698792S

(12) **United States Design Patent**
Lin et al.

(10) **Patent No.:** **US D698,792 S**
(45) **Date of Patent:** **** Feb. 4, 2014**

(54) **MEMORY MODULE**

(75) Inventors: **Yi-Ting Lin**, Hsinchu (TW); **Hsi-Ming Tsai**, Hsinchu (TW); **Peter Leekuo Chou**, Fountain Valley, CA (US)

(73) Assignee: **Kingston Digital, Inc.**, Fountain Valley, CA (US)

(**) Term: **14 Years**

(21) Appl. No.: **29/410,195**

(22) Filed: **Jan. 5, 2012**

(51) **LOC (10) Cl.** **14-02**

(52) **U.S. Cl.**
USPC **D14/435**

(58) **Field of Classification Search**
USPC D14/435, 356, 242, 436, 433, 474, 240, D14/496, 385, 358, 480.1–480.7; 360/97.01, 685, 686, 752, 737, 732, 360/784, 803; 439/135, 144, 139–141, 147, 439/136, 638, 518, 131; 365/51, 63, 131; 710/52, 300, 313; 711/115, 103, 154, 711/161–162; 70/58; 323/210; 713/186, 1; 382/124; 235/492; D13/147
See application file for complete search history.

D451,076 S * 11/2001 Sommer et al. D13/168
D458,610 S * 6/2002 Kadonaga D14/474
D460,453 S * 7/2002 Homma et al. D14/435
D471,541 S * 3/2003 Tomino et al. D14/240
D476,977 S * 7/2003 Gao et al. D14/240
D485,561 S * 1/2004 Hong et al. D14/436
D486,830 S * 2/2004 Kadonaga D14/435
D489,714 S * 5/2004 Yin et al. D14/242
D493,165 S * 7/2004 Kiple et al. D14/242
D494,175 S * 8/2004 Kawasaki D14/384
D506,471 S * 6/2005 Ikura et al. D14/480.5
6,930,987 B1 * 8/2005 Fukuda et al. 370/328
D520,015 S * 5/2006 Peddle D14/435
D521,509 S * 5/2006 Chen D14/480.5
D525,977 S * 8/2006 Yao D14/436
D529,029 S * 9/2006 Sekine D14/433
D539,275 S * 3/2007 Furuya et al. D14/240
D542,787 S * 5/2007 Siu D14/480.5
D542,788 S * 5/2007 Gutmann et al. D14/480.5
7,265,989 B2 * 9/2007 Son et al. 361/737
D552,592 S * 10/2007 Deguchi D14/480.7
D556,763 S * 12/2007 Hsiao D14/436
D570,350 S * 6/2008 Miller et al. D14/426

(Continued)

Primary Examiner — Susan Moon Lee

(74) *Attorney, Agent, or Firm* — Morris, Manning & Martin, LLP; Tim Tingkang Xia, Esq.

(57) **CLAIM**

The ornamental design for a memory module, as shown and described.

(56) **References Cited**

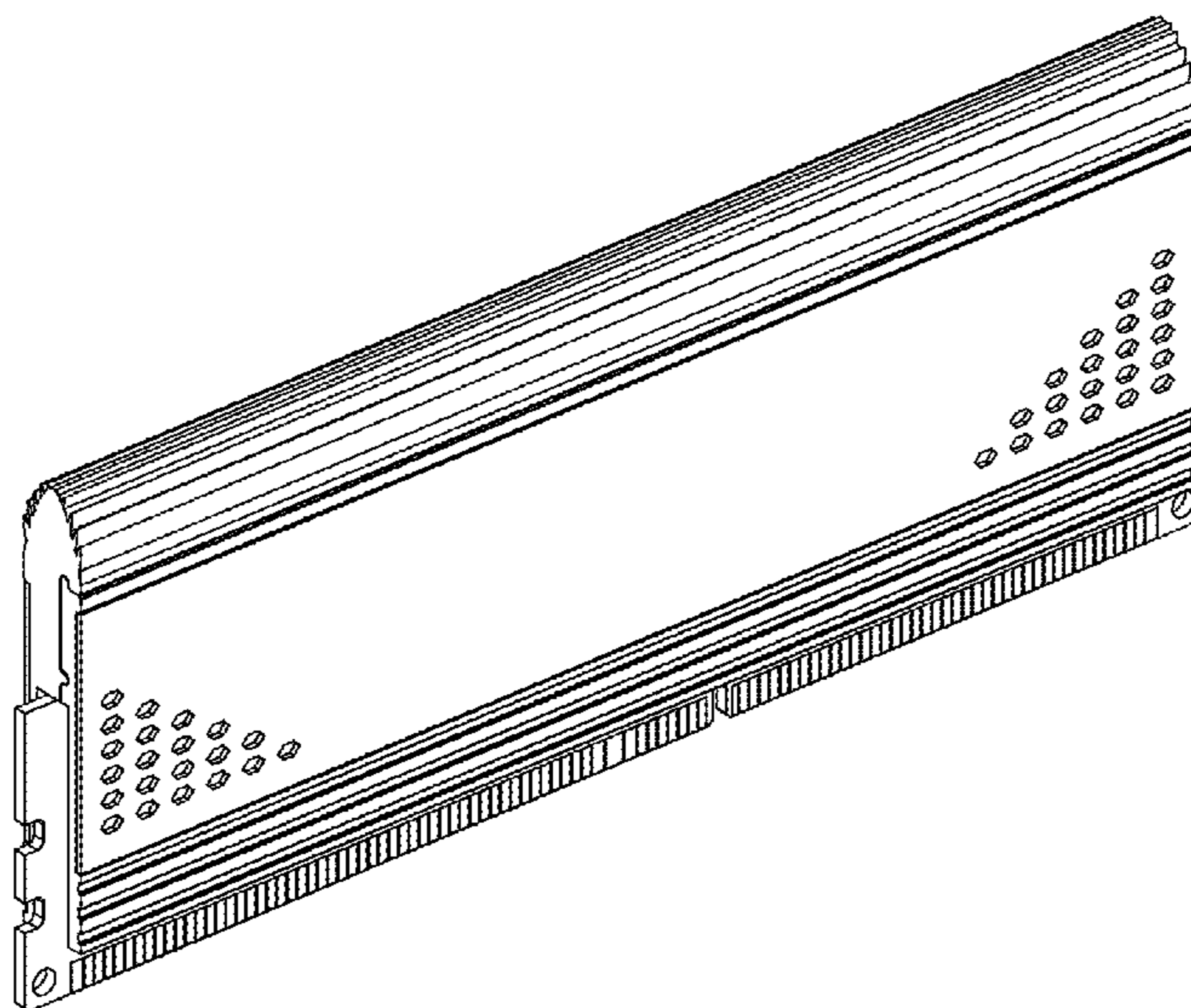
U.S. PATENT DOCUMENTS

D237,893 S * 12/1975 Wennerstrom D14/137
D246,240 S * 11/1977 Hansen D13/103
D348,469 S * 7/1994 Johnson et al. D14/240
D348,888 S * 7/1994 Fenton et al. D14/242
D358,128 S * 5/1995 Berry et al. D13/103
D368,911 S * 4/1996 Lam D14/242
D392,644 S * 3/1998 McGugan D14/240
5,859,766 A * 1/1999 Van Scyoc et al. 361/752
D417,453 S * 12/1999 Du D14/242
D432,523 S * 10/2000 Grinkus et al. D14/217

DESCRIPTION

FIG. 1 is a perspective view of a memory module showing the claimed design;
FIG. 2 is a front elevational view thereof;
FIG. 3 is a rear elevational view thereof;
FIG. 4 is a left side elevational view thereof;
FIG. 5 is a right side elevational view thereof;
FIG. 6 is a top plan view thereof; and,
FIG. 7 is a bottom plan view thereof.

1 Claim, 4 Drawing Sheets



(56)

References Cited

U.S. PATENT DOCUMENTS

D571,809 S *	6/2008	Liu et al.	D14/433	D645,866 S *	9/2011	Schindler	D14/435
D572,248 S *	7/2008	Jen	D14/480.5	D647,100 S *	10/2011	Huang	D14/480.7
D572,251 S *	7/2008	Lee	D14/435.1	D648,340 S *	11/2011	Okura	D14/480.7
D575,787 S *	8/2008	Su	D14/436	D648,690 S *	11/2011	Snodgrass et al.	D14/125
D579,931 S *	11/2008	Chang	D14/242	D654,083 S *	2/2012	Lo	D14/480.7
D582,419 S *	12/2008	Sheba et al.	D14/480.5	D655,296 S *	3/2012	Andre et al.	D14/436
D585,448 S *	1/2009	Kawaguchi et al.	D14/435	D655,708 S *	3/2012	Frank	D14/435.1
D594,002 S *	6/2009	Kettula	D14/240	D663,293 S *	7/2012	MacManus et al.	D14/240
D596,634 S *	7/2009	Wong et al.	D14/358	D674,784 S *	1/2013	Choi	D14/240
D620,018 S *	7/2010	Nan et al.	D14/480.7	D675,215 S *	1/2013	Akana et al.	D14/480.1
D624,920 S *	10/2010	Sheppard et al.	D14/435.1	D685,374 S *	7/2013	Schindler	D14/435
D637,192 S *	5/2011	Andre et al.	D14/436	D685,774 S *	7/2013	Kim	D14/240
				D686,215 S *	7/2013	Andre et al.	D14/436
				D687,836 S *	8/2013	Chen et al.	D14/480.1

* cited by examiner

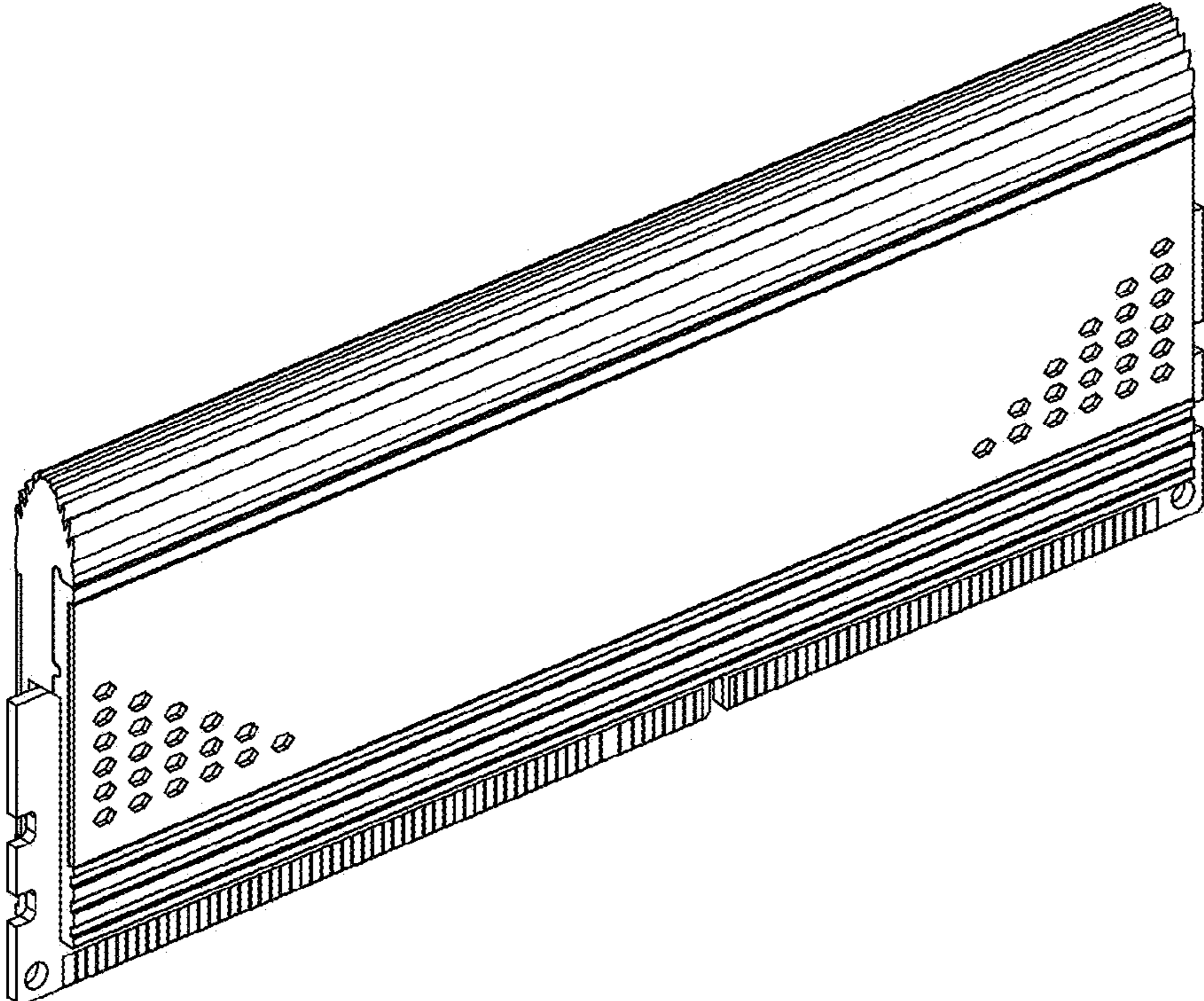


FIG.1

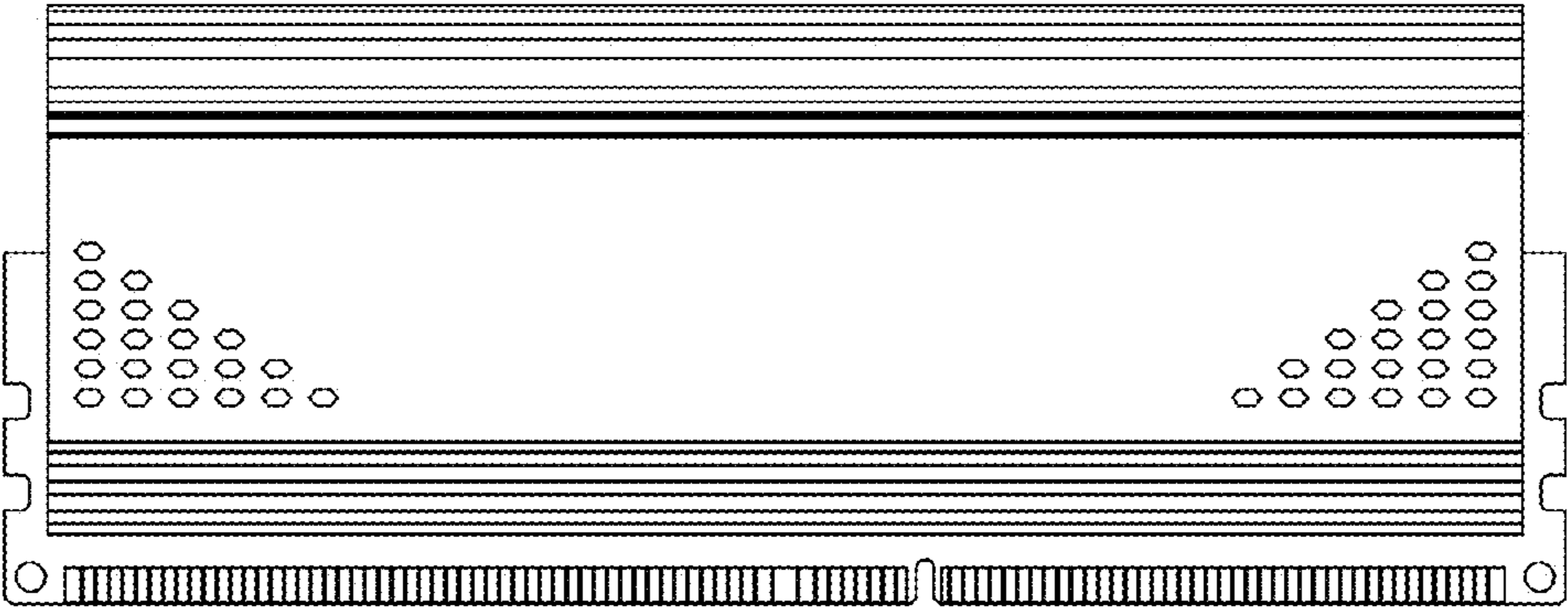


FIG. 2

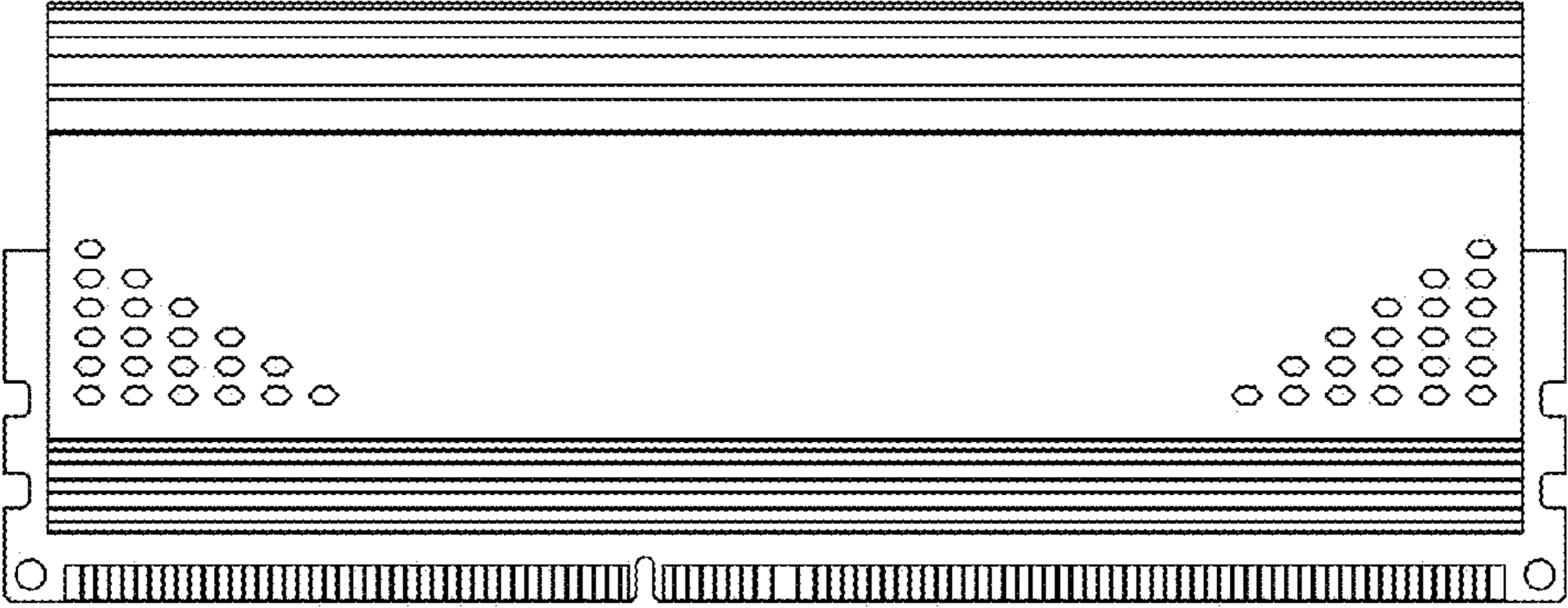


FIG. 3



FIG. 4

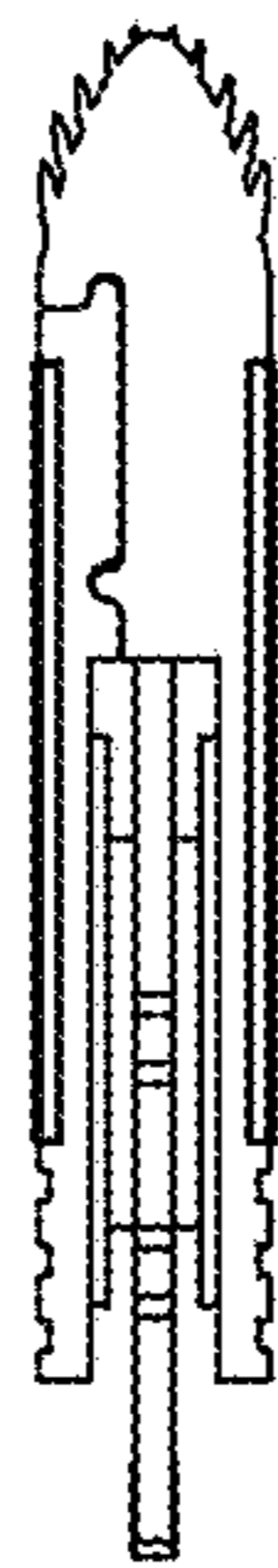


FIG. 5

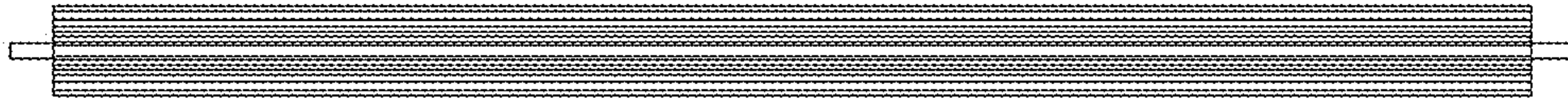


FIG. 6

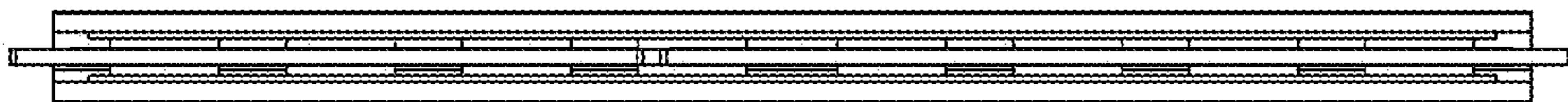


FIG. 7