



US00D698791S

(12) **United States Design Patent**
Woodman et al.

(10) **Patent No.:** **US D698,791 S**
(45) **Date of Patent:** **** Feb. 4, 2014**

(54) **EXPANSION MODULE**

(71) Applicant: **Woodman Labs, Inc.**, San Mateo, CA
(US)

(72) Inventors: **Nicholas D. Woodman**, Sausalito, CA
(US); **Fred Bould**, Menlo Park, CA
(US); **Kristen Beck**, San Mateo, CA
(US)

(73) Assignee: **Woodman Labs, Inc.**, San Mateo, CA
(US)

(**) Term: **14 Years**

(21) Appl. No.: **29/465,286**

(22) Filed: **Aug. 26, 2013**

Related U.S. Application Data

(63) Continuation of application No. 29/434,202, filed on
Oct. 10, 2012, now Pat. No. Des. 691,609.

(51) **LOC (10) Cl.** **14-02**

(52) **U.S. Cl.**
USPC **D14/434**

(58) **Field of Classification Search**
USPC D14/217, 432, 434; D8/373; D13/107,
D13/108, 146; 248/176.1; 320/109,
320/112-115; 361/679.4, 679.31-679.33,
361/679.41, 679.43, 679.55; 455/557;
710/15, 303

See application file for complete search history.

(56) **References Cited**

U.S. PATENT DOCUMENTS

D285,920	S	*	9/1986	Kitakaze	D14/260
5,933,322	A	*	8/1999	Ruch et al.	361/679.41
D423,473	S	*	4/2000	Iwamoto	D14/434
D443,247	S	*	6/2001	Chuan et al.	D13/107
D452,496	S	*	12/2001	Murnaghan et al.	D14/242
D653,666	S	*	2/2012	Zhou	D14/434
2003/0193316	A1	*	10/2003	Guo et al.	320/112

* cited by examiner

Primary Examiner — Freda S Nunn

(74) *Attorney, Agent, or Firm* — Fenwick & West LLP

(57) **CLAIM**

The ornamental design for an expansion module, as shown
and described.

DESCRIPTION

FIG. 1 is a front, top and left side perspective view of an
expansion module showing our new design according to a
first embodiment;

FIG. 2 is a rear, bottom and right side perspective view
thereof;

FIG. 3 is a rear, bottom and left side perspective view thereof;

FIG. 4 is a rear elevational view thereof;

FIG. 5 is a front elevational view thereof;

FIG. 6 is a left side elevational view thereof;

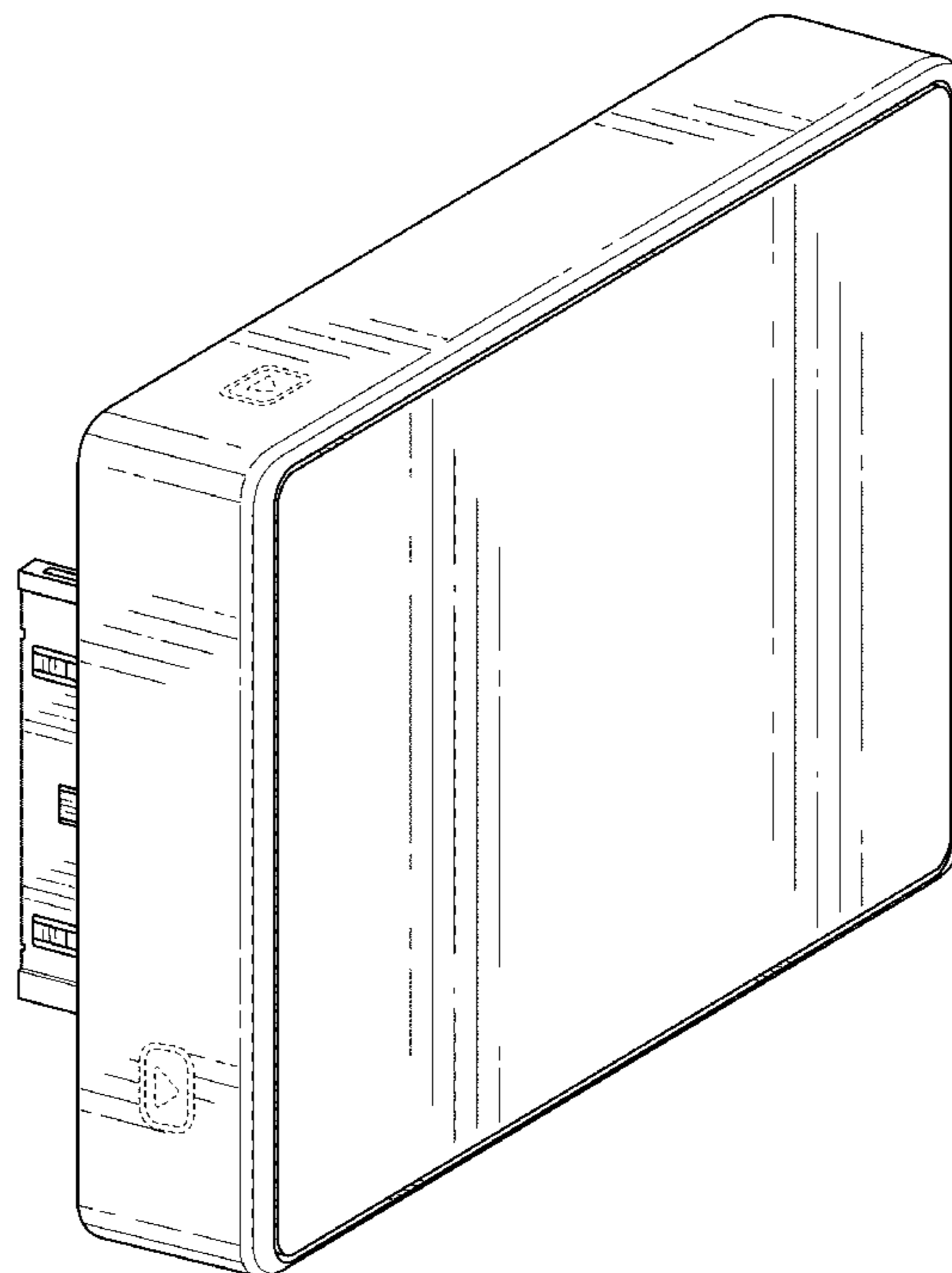
FIG. 7 is a right side elevational view thereof;

FIG. 8 is a top plan view thereof; and,

FIG. 9 is a bottom plan view thereof.

The broken lines in the drawings showing portions of the
expansion module are included for the purpose of illustrating
environmental structure and form no part of the claimed
design.

1 Claim, 7 Drawing Sheets



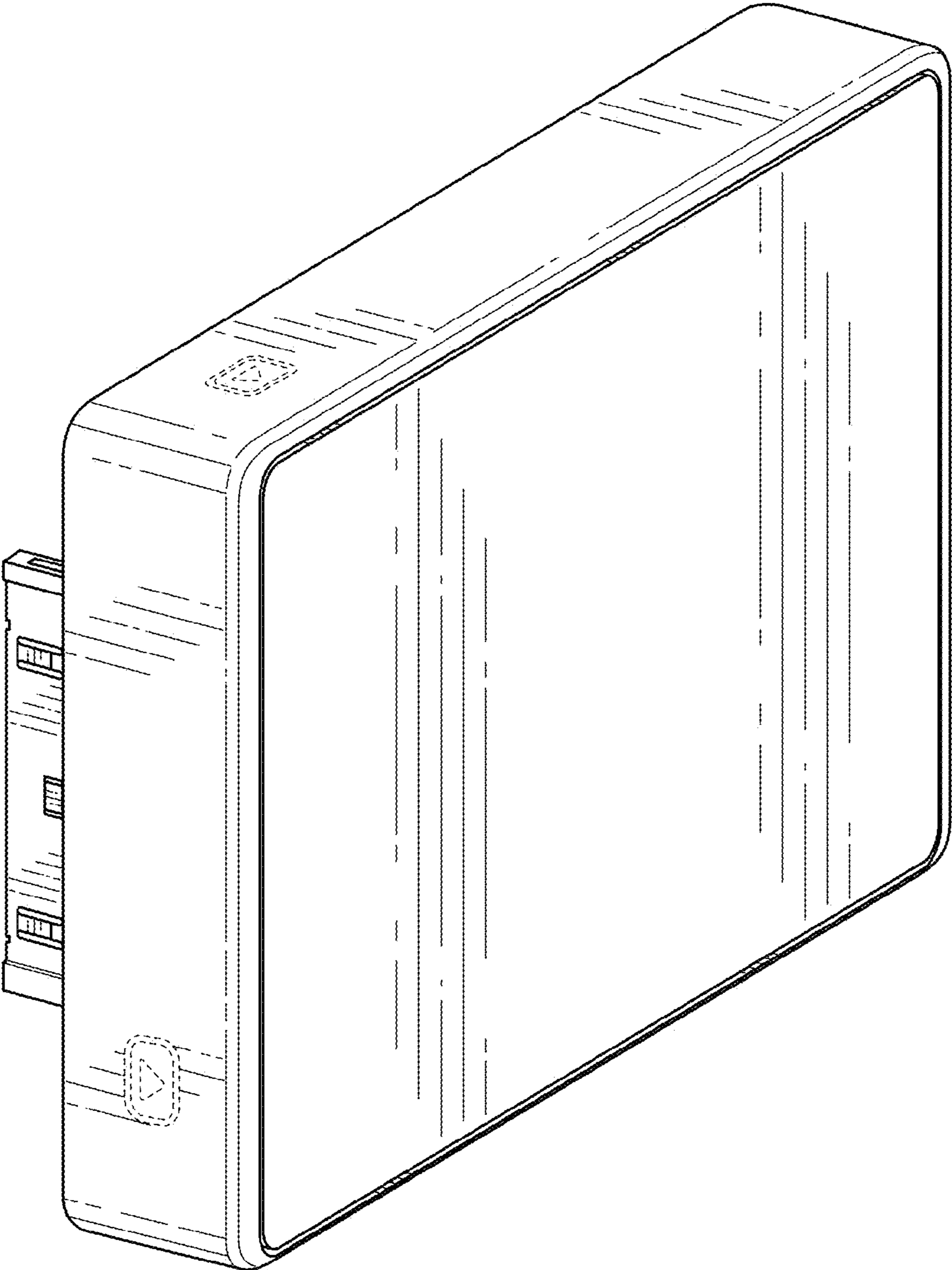


FIG. 1

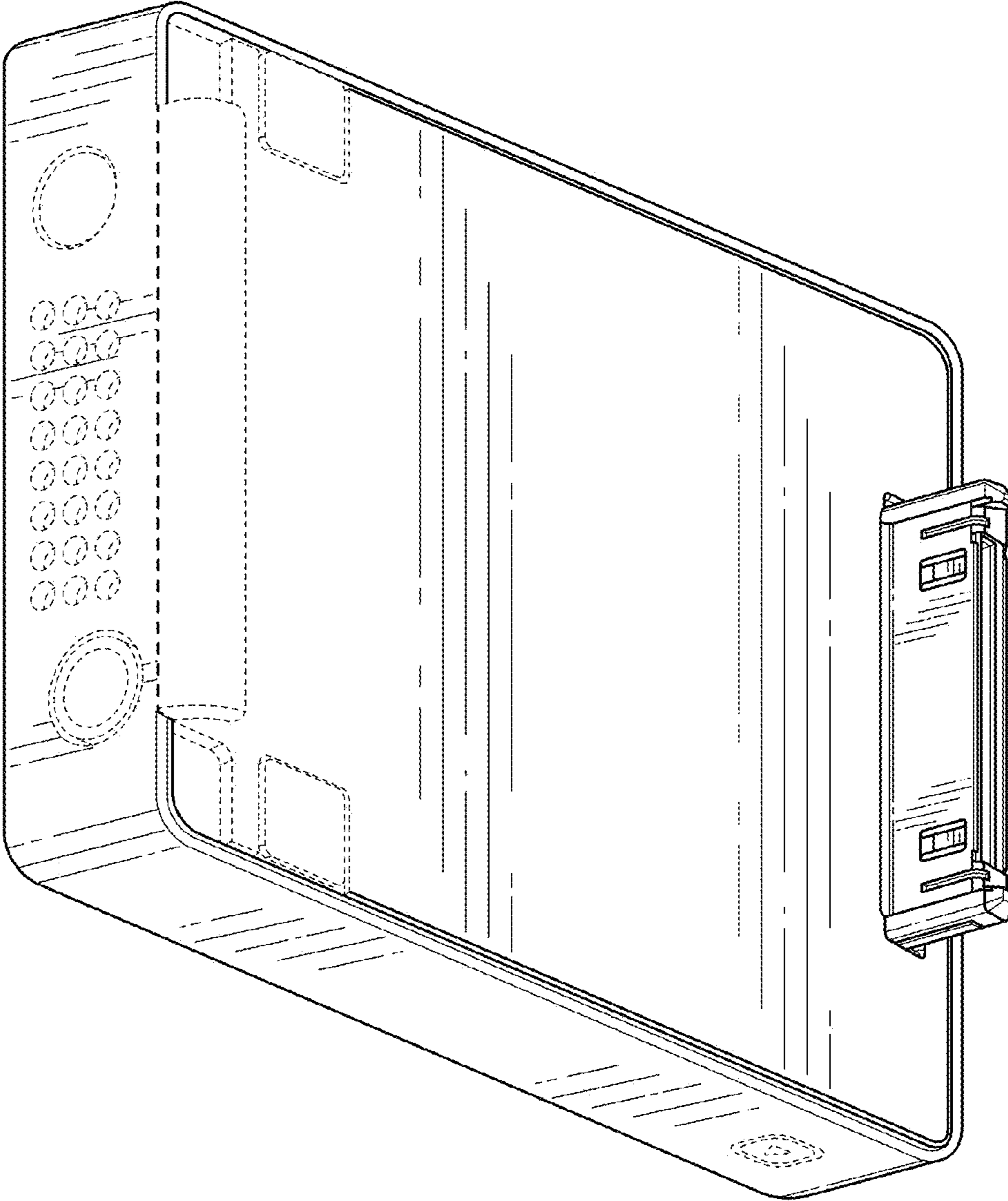


FIG. 2

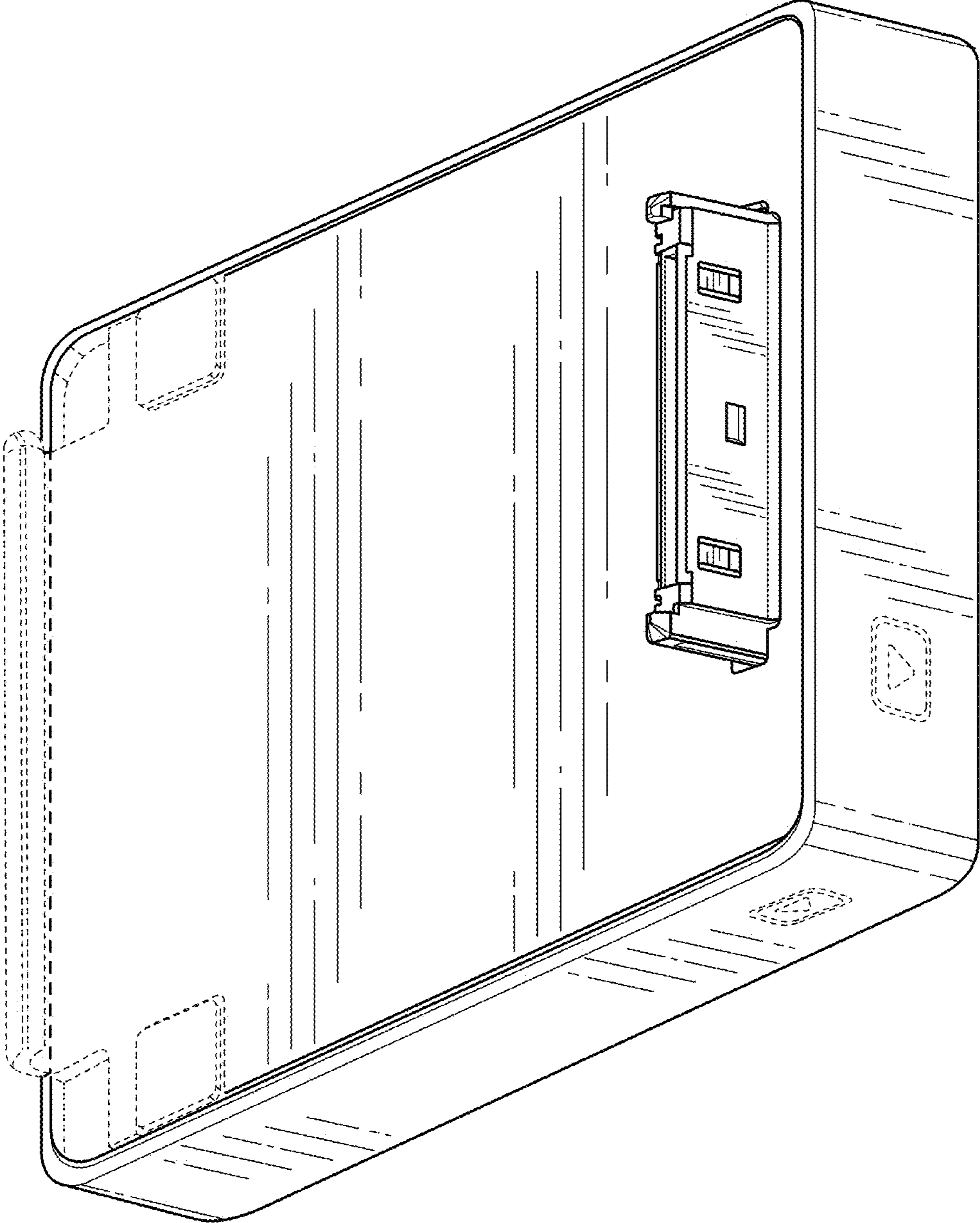


FIG. 3

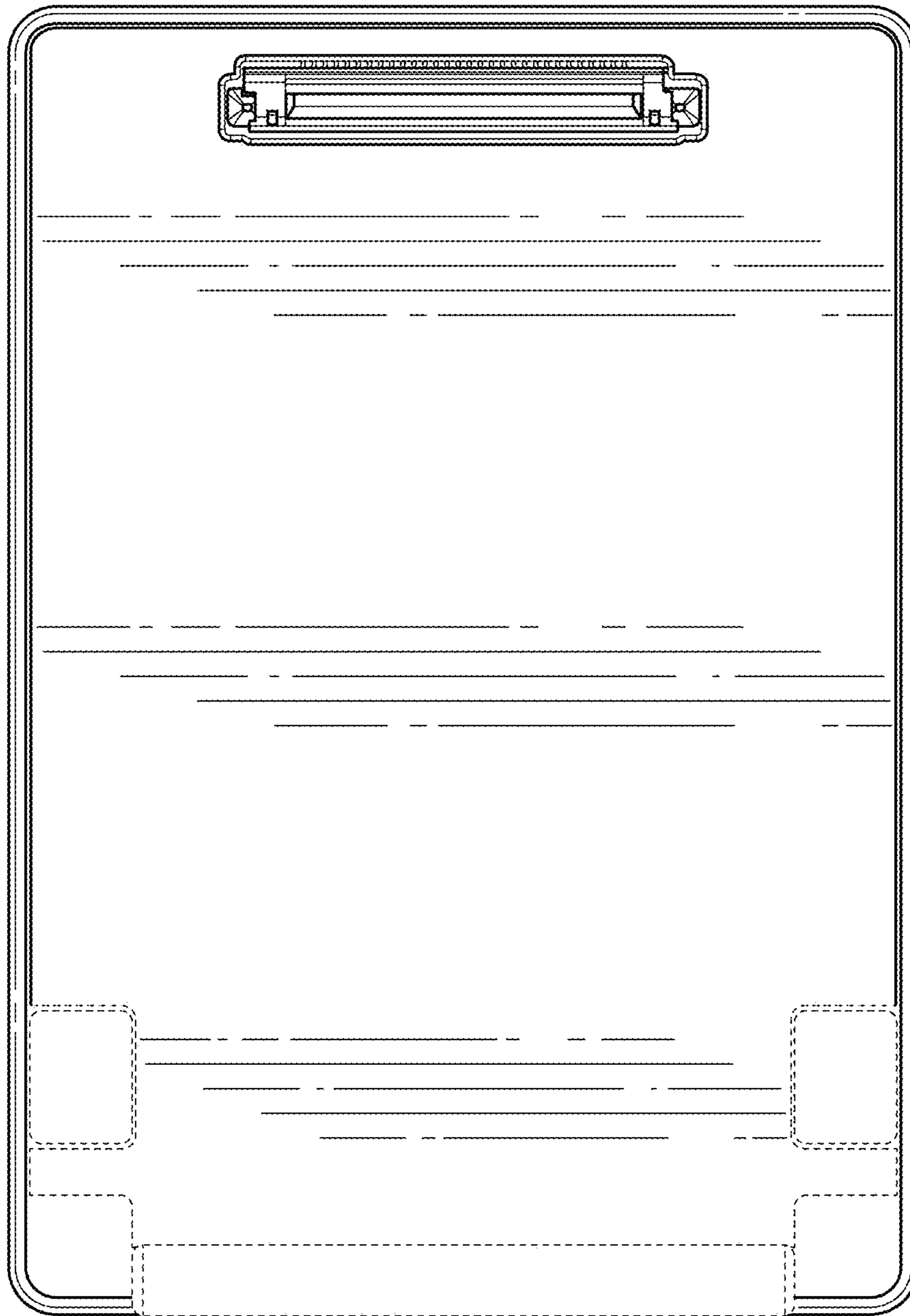


FIG. 4

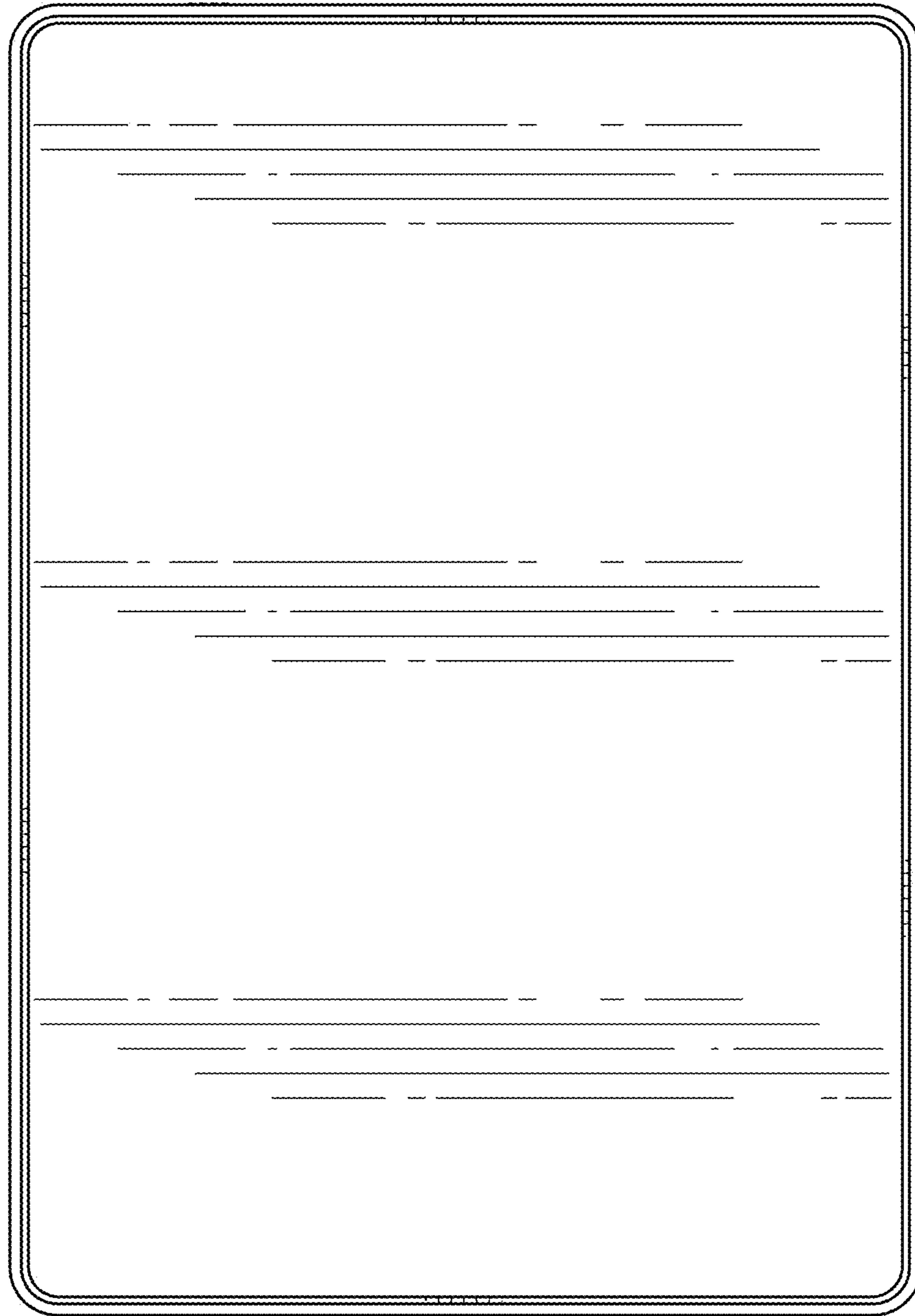


FIG. 5

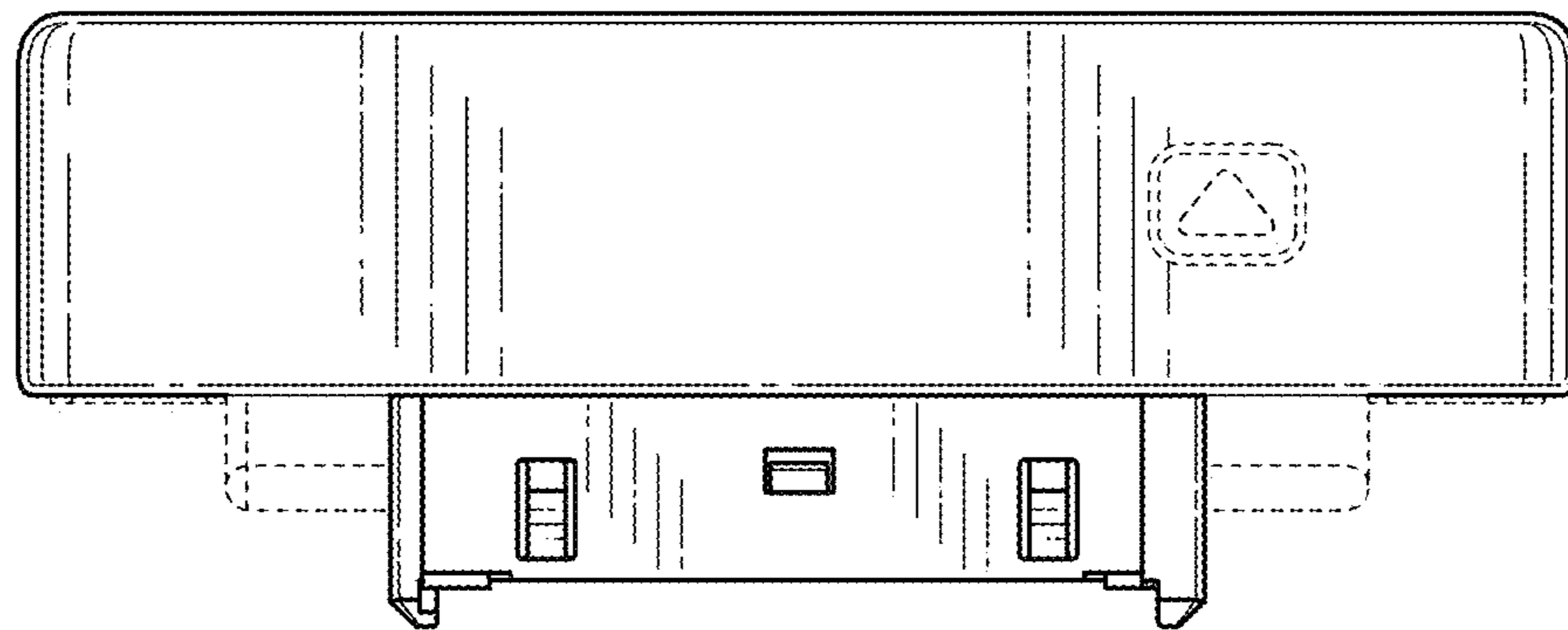


FIG. 6

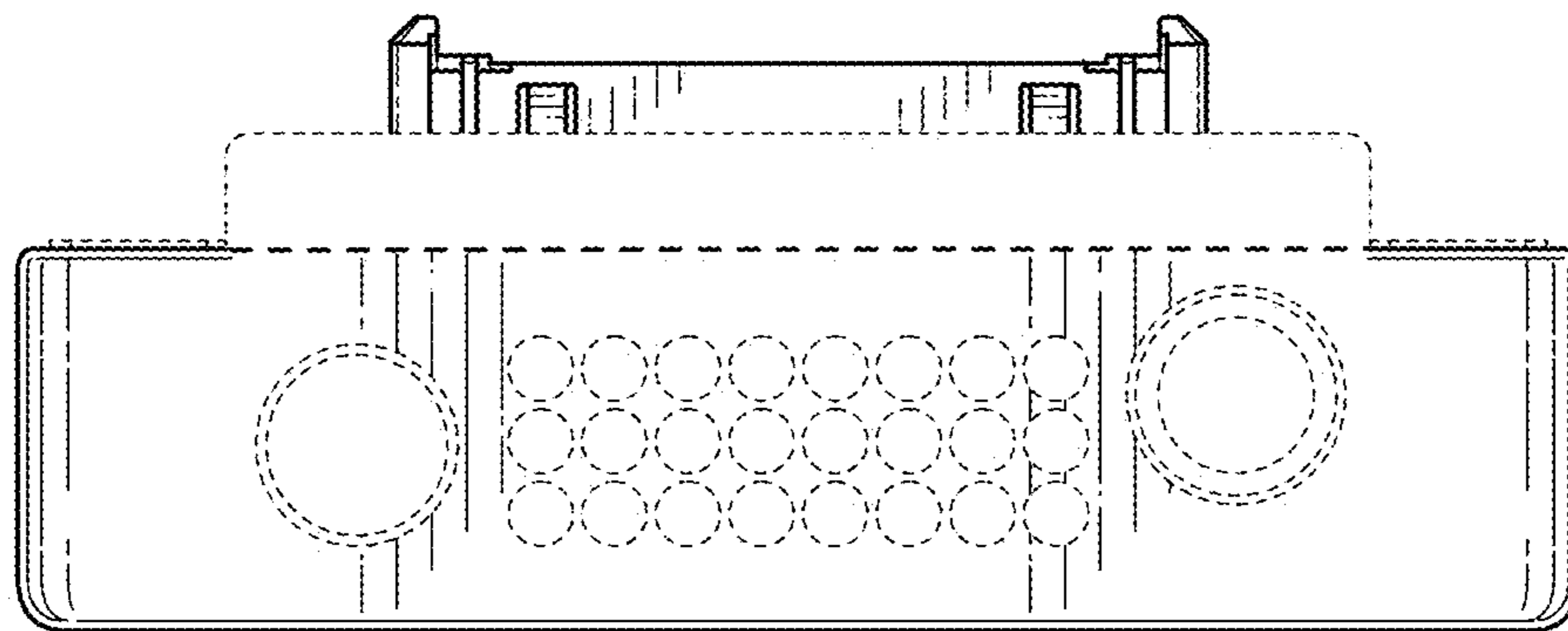


FIG. 7

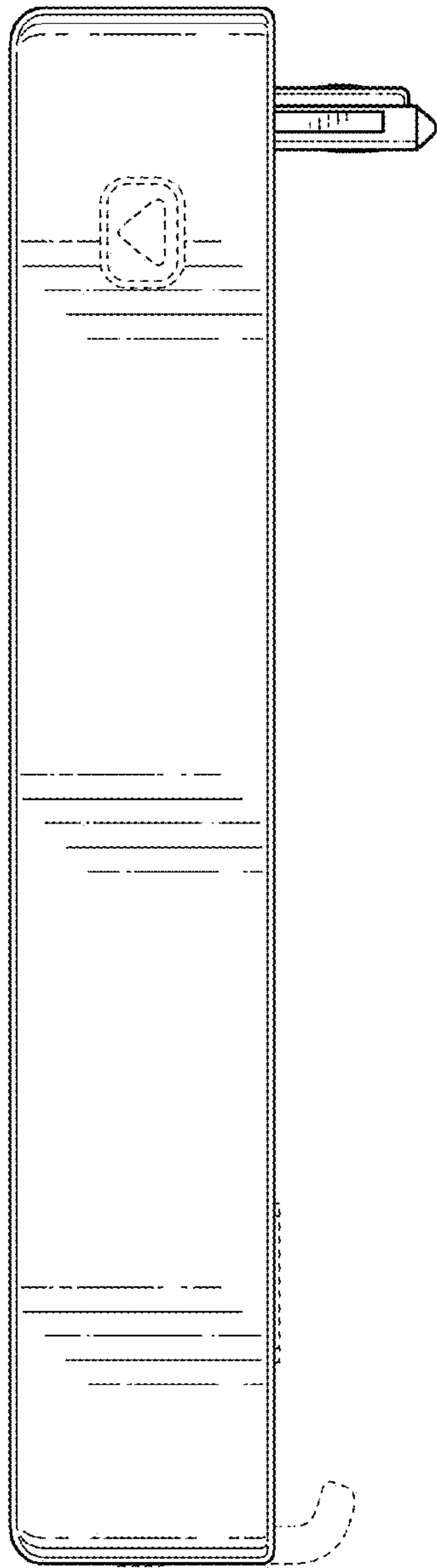


FIG. 8

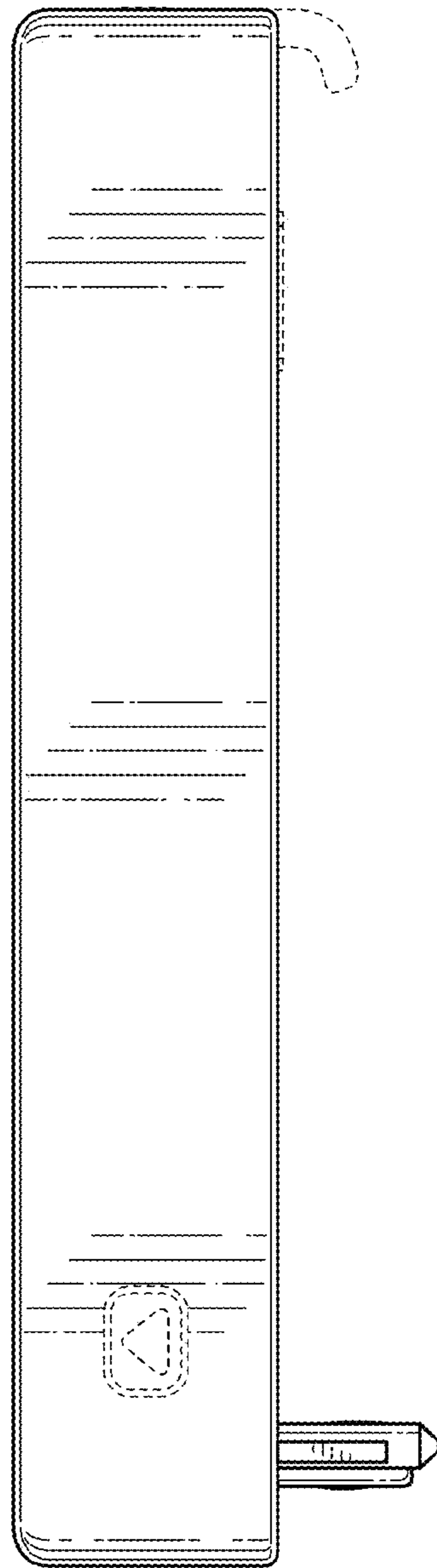


FIG. 9