



US00D698789S

(12) **United States Design Patent**
Daniel

(10) **Patent No.:** **US D698,789 S**

(45) **Date of Patent:** **** Feb. 4, 2014**

(54) **ELECTRONIC CARD READER**

(71) Applicant: **Isaac S. Daniel**, Miramar, FL (US)

(72) Inventor: **Isaac S. Daniel**, Miramar, FL (US)

(**) Term: **14 Years**

(21) Appl. No.: **29/445,606**

(22) Filed: **Feb. 13, 2013**

(51) **LOC (10) Cl.** **14-02**

(52) **U.S. Cl.**
USPC **D14/385**

(58) **Field of Classification Search**

USPC D14/356-358, 383-385, 420, 426, 427,
D14/432-439, 447, 453, 454, 217, 253,
D14/299; D13/107, 108, 133, 146, 147,
D13/152, 154, 156, 158, 162, 162.1, 168,
D13/173, 177, 102; 235/441, 451, 492, 380,
235/439, 375; 361/679.31, 600, 679.01,
361/679.02

See application file for complete search history.

(56) **References Cited**

U.S. PATENT DOCUMENTS

D423,470 S *	4/2000	Neifer et al.	D14/385
D467,584 S *	12/2002	Sabella et al.	D14/385
D571,805 S *	6/2008	Leung et al.	D14/385
D578,122 S *	10/2008	Leung et al.	D14/385
D580,438 S *	11/2008	Kuchler	D14/385
D580,935 S *	11/2008	Leung et al.	D14/385

D594,865 S *	6/2009	Fahrendorff	D14/385
D628,576 S *	12/2010	Daniel	D14/385
D667,402 S *	9/2012	Maus	D14/385
D681,639 S *	5/2013	Cruz et al.	D14/385
D688,241 S *	8/2013	Miller et al.	D14/385

* cited by examiner

Primary Examiner — Austin Murphy

(74) *Attorney, Agent, or Firm* — Carol N. Green, Esq.

(57) **CLAIM**

The ornamental design for an electronic card reader, as shown and described.

DESCRIPTION

FIG. 1 is a top perspective view of the electronic card reader. FIG. 2 is a bottom perspective view of the electronic card reader.

FIG. 3 is a top plan view of the electronic card reader.

FIG. 4 is a bottom plan view of the electronic card reader.

FIG. 5 is a front view of the electronic card reader.

FIG. 6 is a rear view of the electronic card reader.

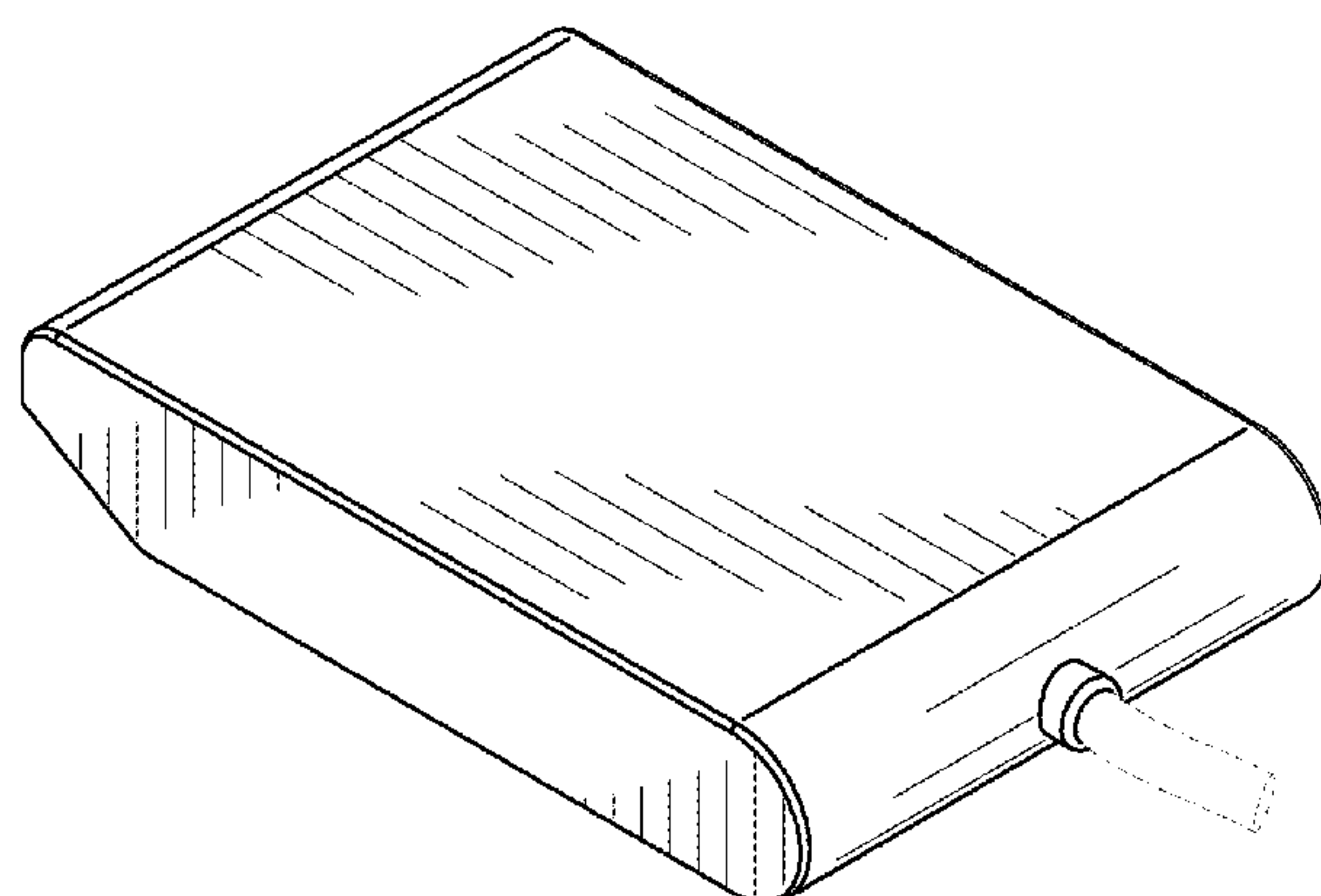
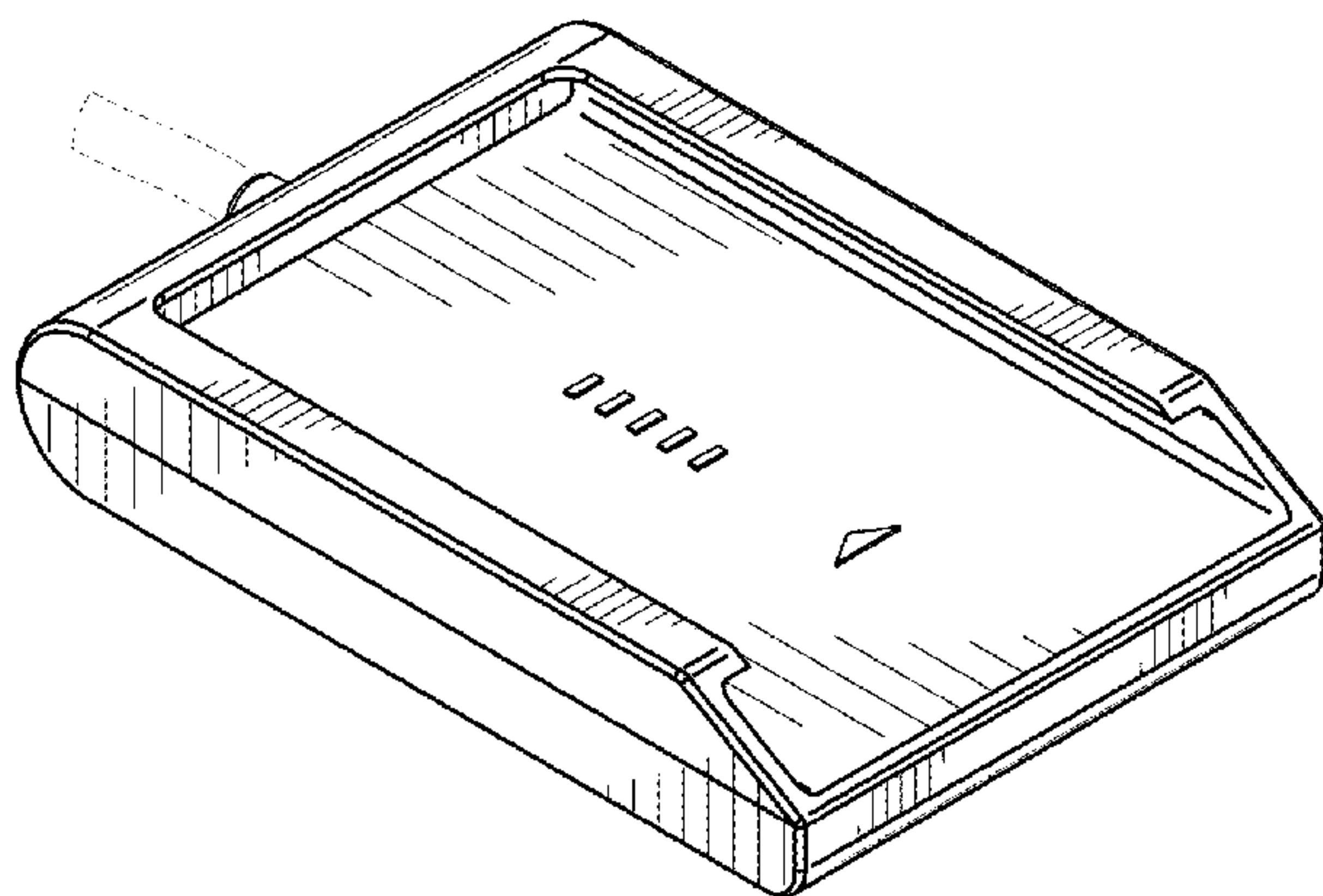
FIG. 7 is a side view of the electronic card reader.

FIG. 8 is a top perspective view of the electronic card reader in use with an electronic card; and,

FIG. 9 is a top plan view of the electronic card reader in use with an electronic card.

The broken lines in FIGS. 1-9 depict an electronic card showing the environment when the electronic card reader is in use, and form no part of the claimed design.

1 Claim, 4 Drawing Sheets



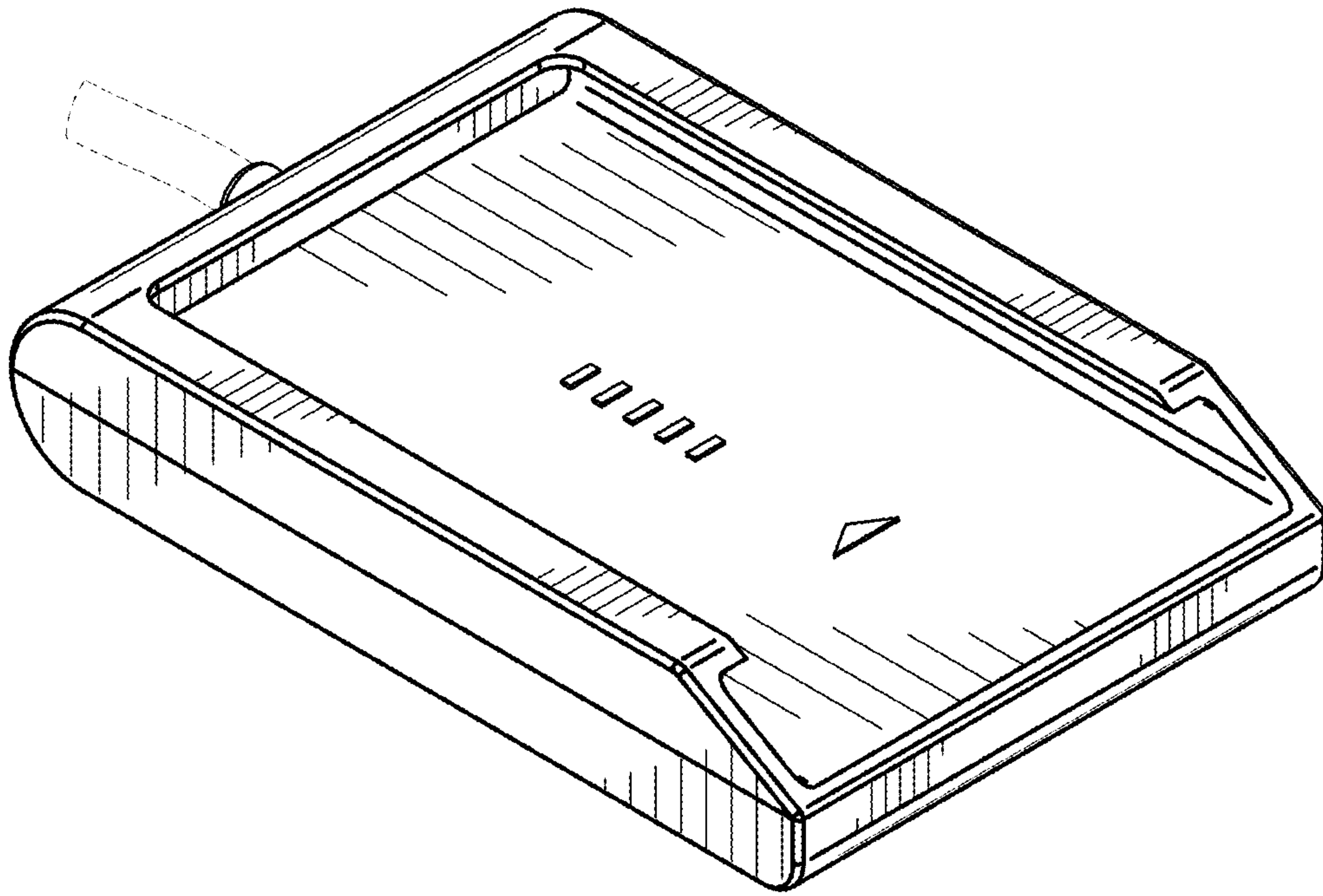


FIG. 1

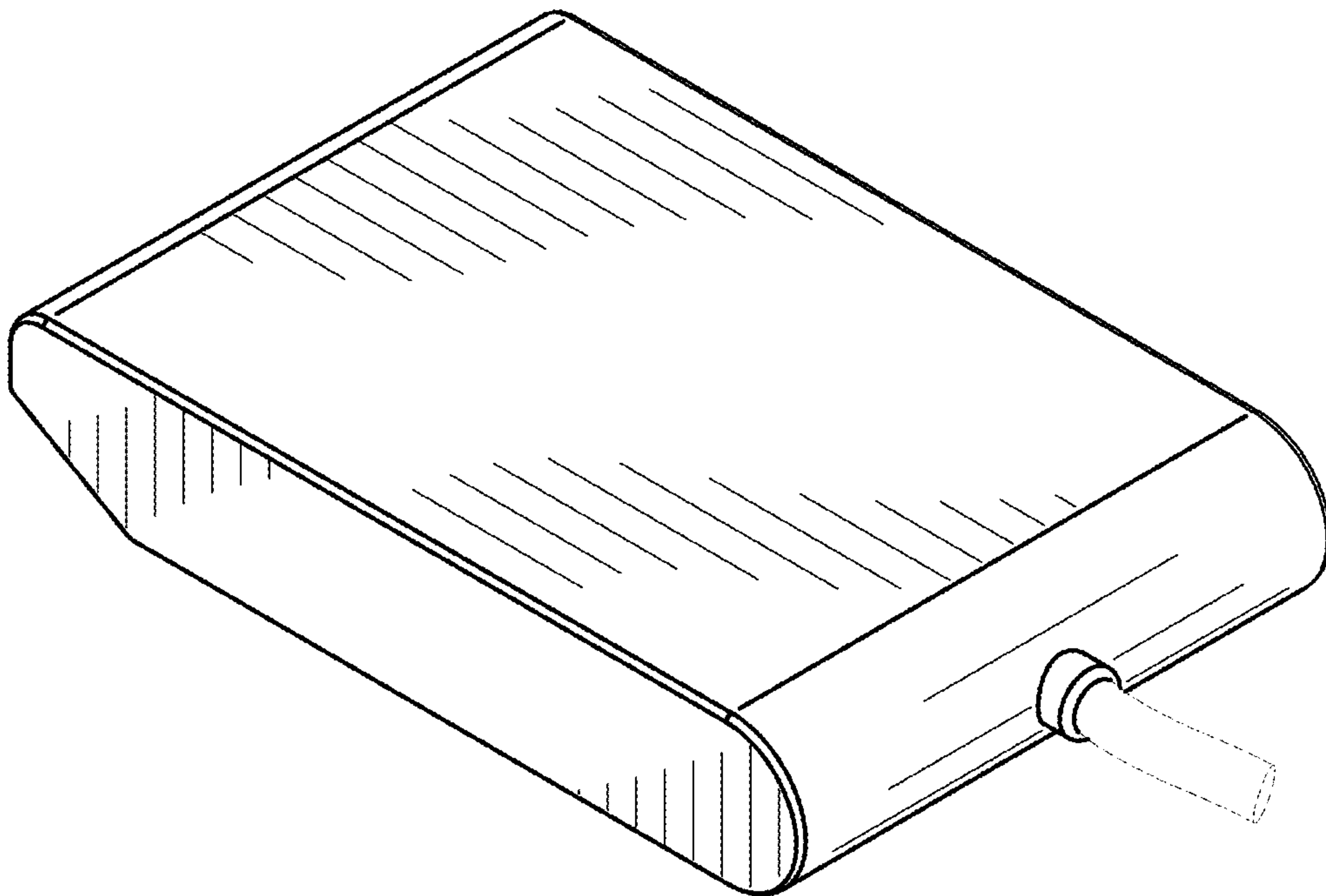


FIG. 2

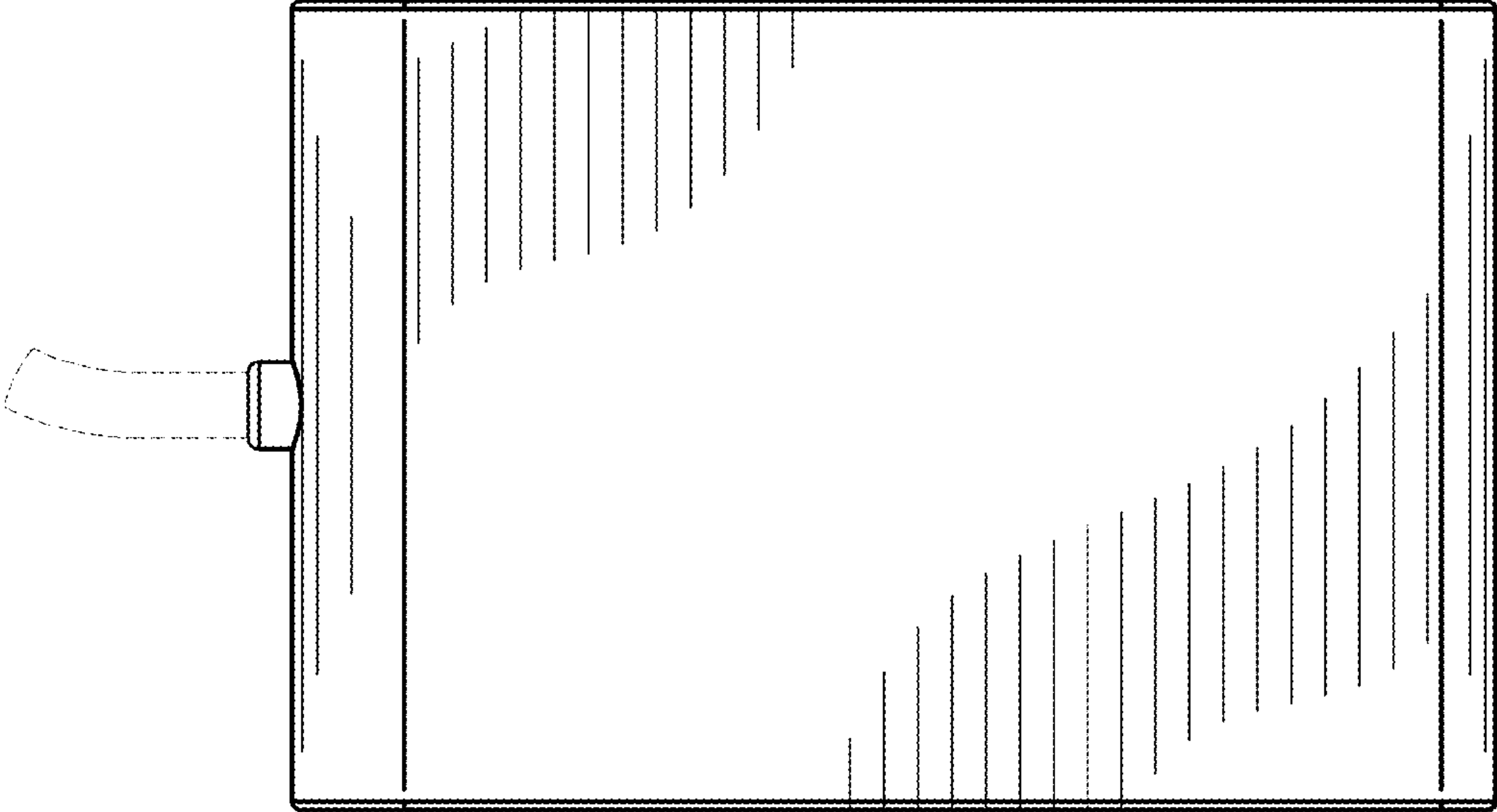


FIG. 4

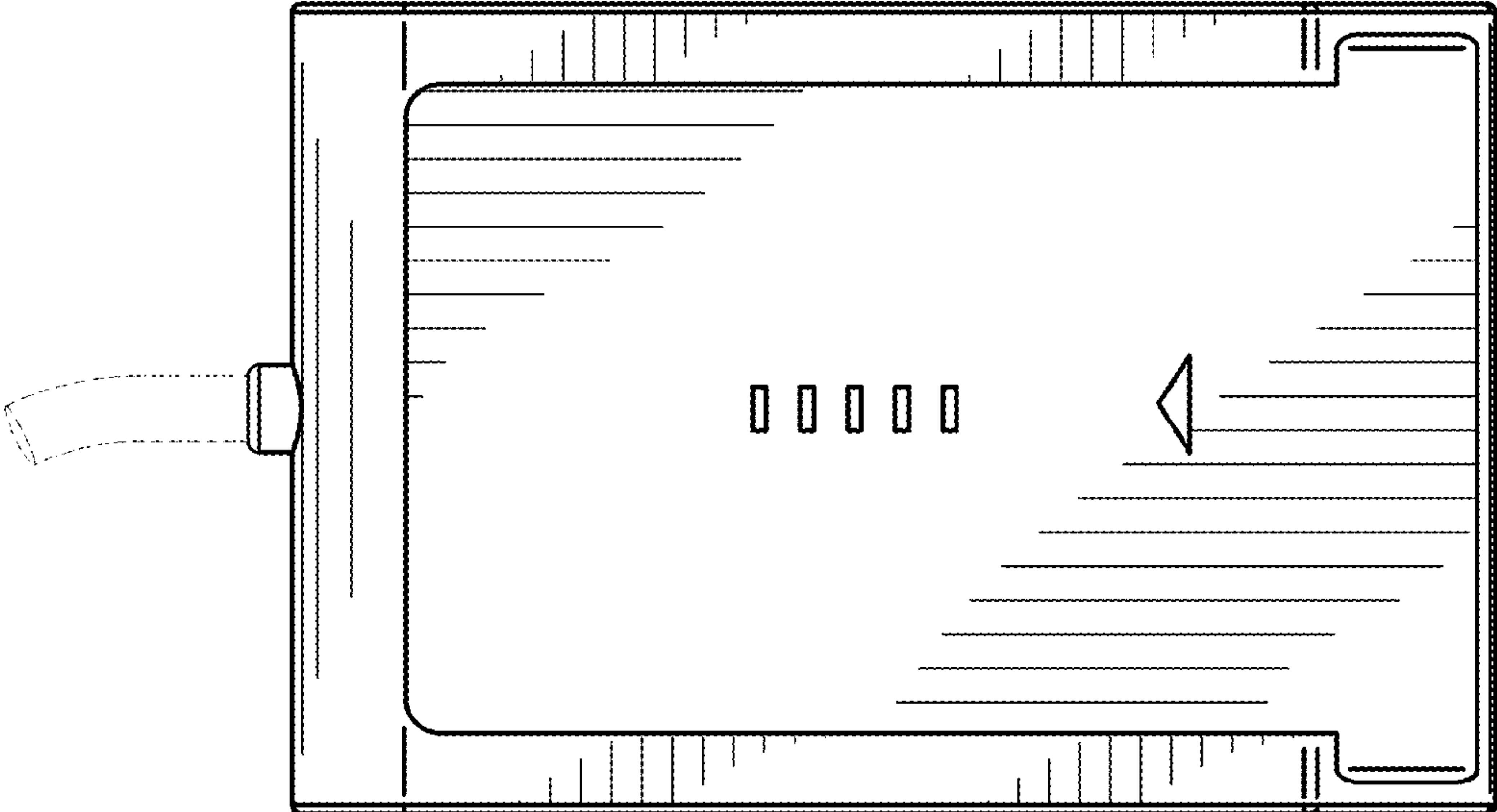


FIG. 3

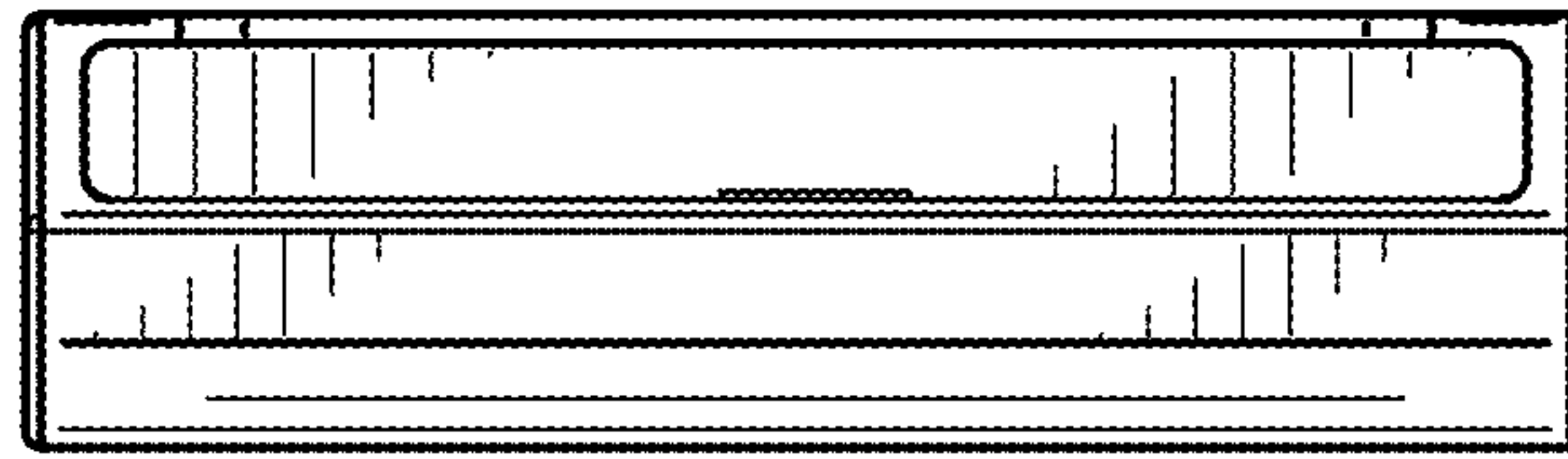


FIG. 5

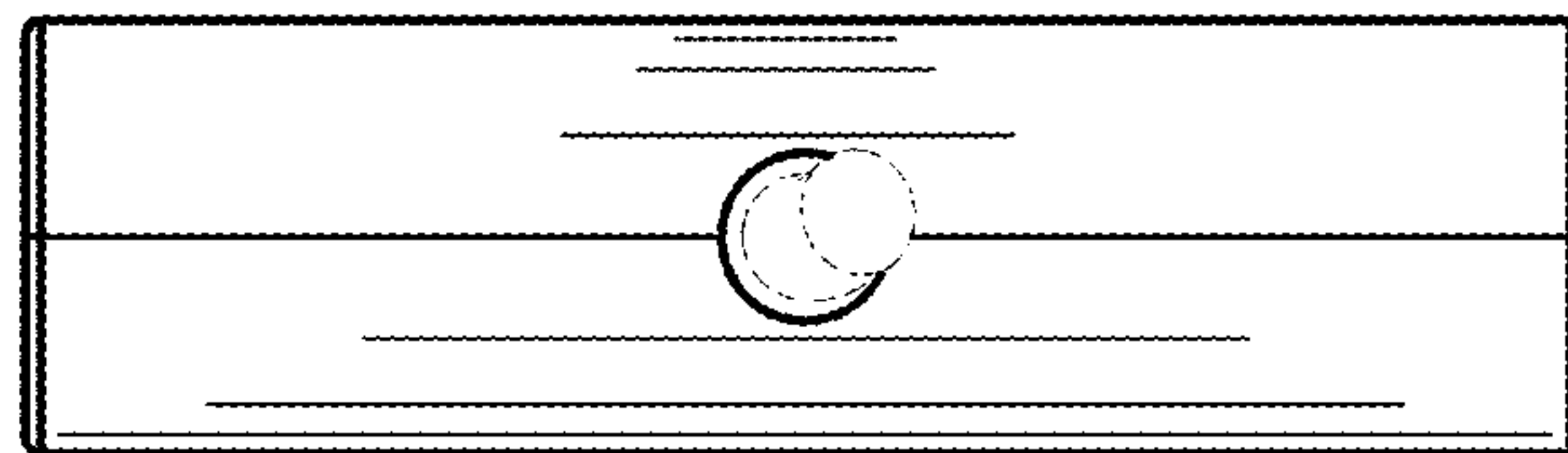


FIG. 6

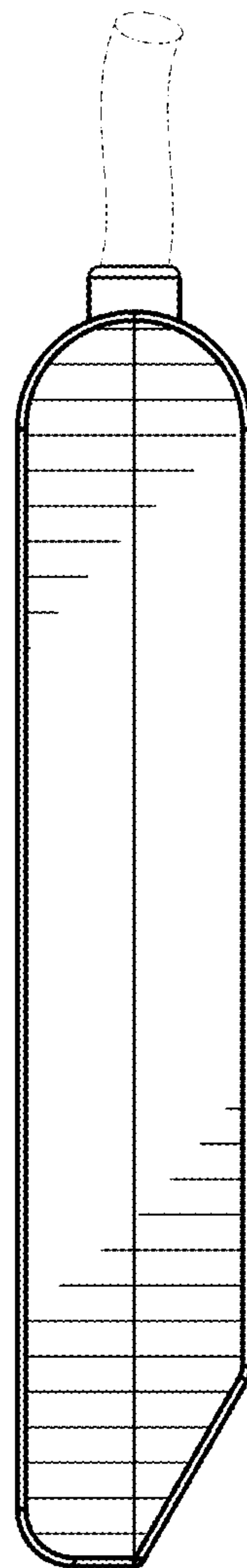


FIG. 7

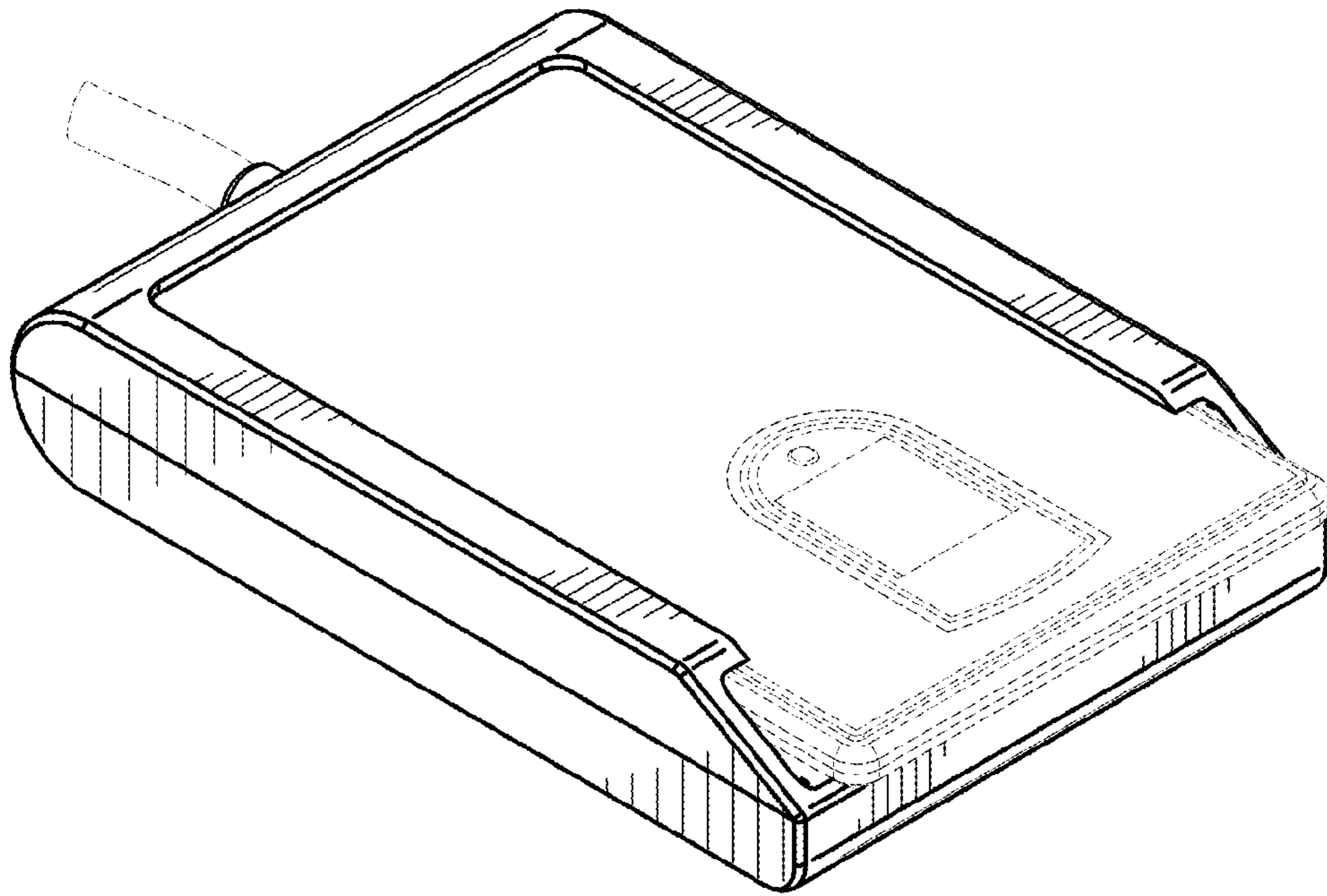


FIG. 8

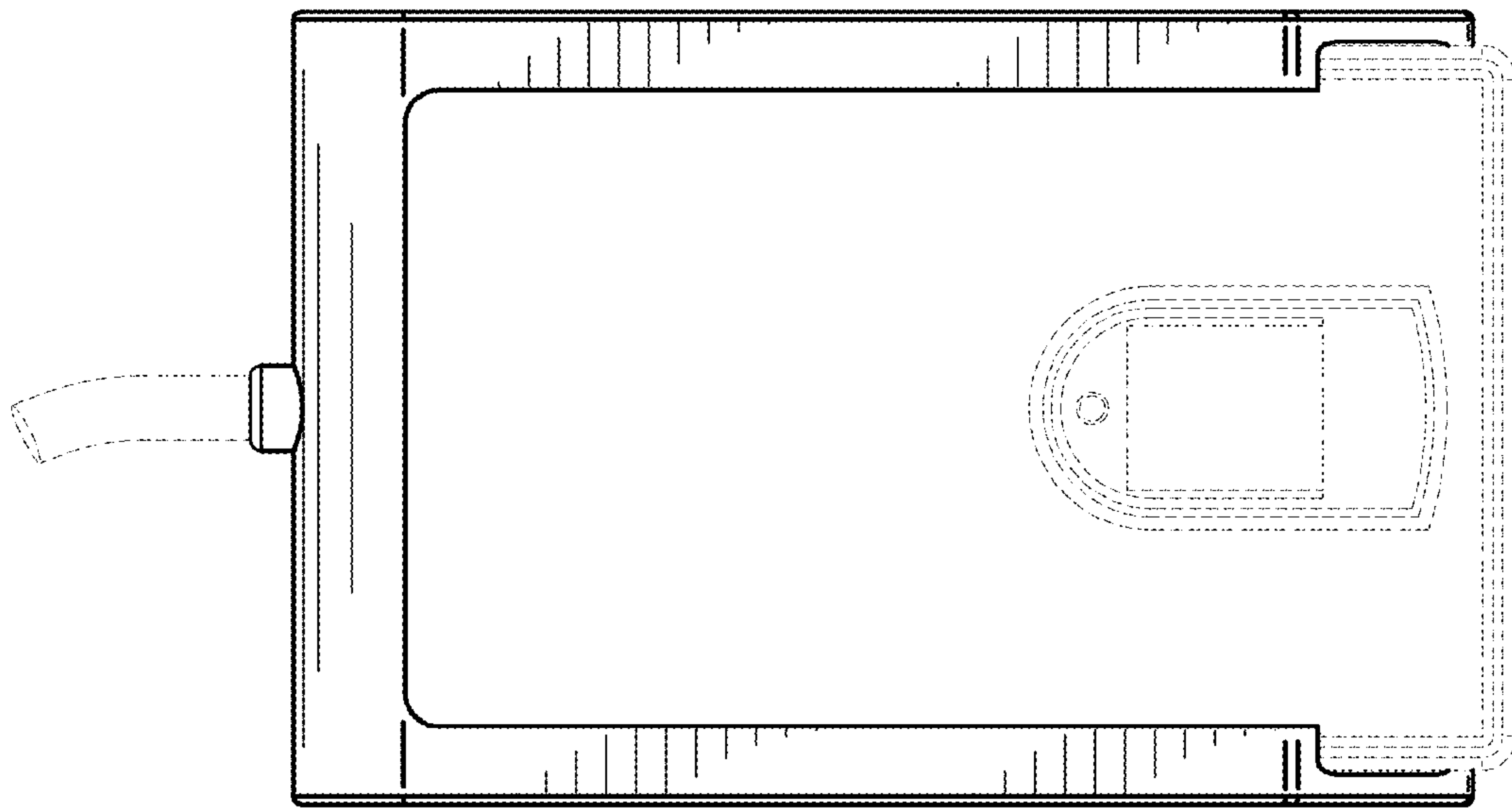


FIG. 9