



US00D698788S

(12) **United States Design Patent**  
**Daniel**

(10) **Patent No.:** **US D698,788 S**

(45) **Date of Patent:** **\*\* Feb. 4, 2014**

(54) **ELECTRONIC DEVICE**

(71) Applicant: **Isaac S. Daniel**, Miramar, FL (US)

(72) Inventor: **Isaac S. Daniel**, Miramar, FL (US)

(\*\*) Term: **14 Years**

(21) Appl. No.: **29/439,369**

(22) Filed: **Dec. 10, 2012**

(51) **LOC (10) Cl.** ..... **14-02**

(52) **U.S. Cl.**

USPC ..... **D14/352**

(58) **Field of Classification Search**

USPC ..... D14/300, 308, 349-356, 358, 365, 125;  
D13/162, 184, 199; 312/223.1-223.3,  
312/351.11; 360/99.01-99.12;  
369/34.01-36.01; 361/679.6,  
361/679.31-679.33

See application file for complete search history.

(56) **References Cited**

U.S. PATENT DOCUMENTS

6,549,397	B1 *	4/2003	Diaz et al. ....	361/679.6
D490,415	S *	5/2004	Whitehorn et al. ....	D14/302
D545,309	S *	6/2007	Noda et al. ....	D14/349
D585,446	S *	1/2009	Sun et al. ....	D14/349

\* cited by examiner

*Primary Examiner* — Freda S Nunn

(74) *Attorney, Agent, or Firm* — Alberto Interian, III

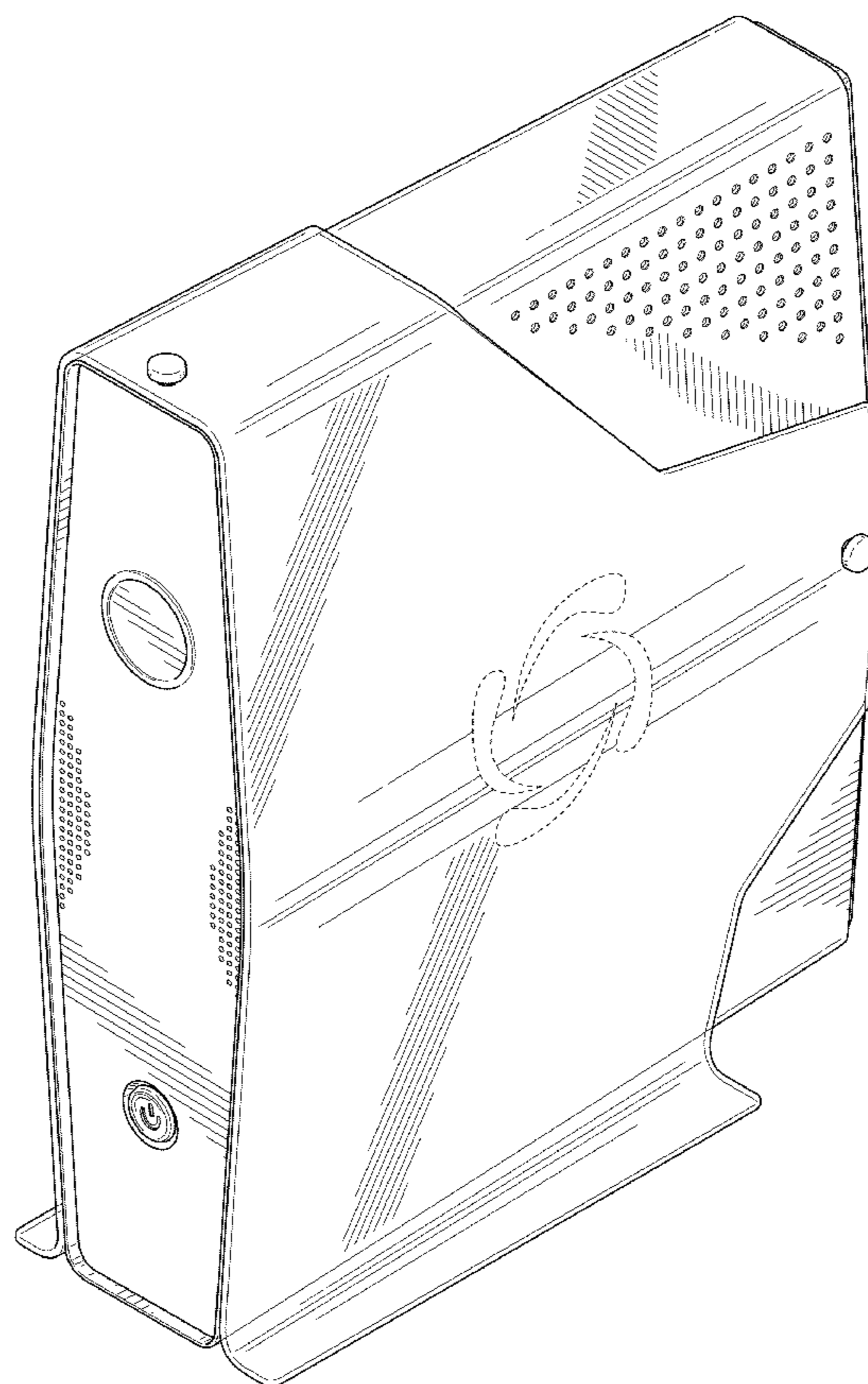
(57) **CLAIM**

The ornamental design for an electronic device, as shown and described.

**DESCRIPTION**

FIG. 1 is a first front perspective view of the invention.  
FIG. 2 is a front view of the invention.  
FIG. 3 is a rear view of the invention.  
FIG. 4 is a side view of the invention.  
FIG. 5 is a side view of the invention.  
FIG. 6 is a top view of the invention; and,  
FIG. 7 is a bottom view of the invention.  
The broken line showing of the electronic device or portion thereof, and other features forms no part of the claimed design.

**1 Claim, 7 Drawing Sheets**



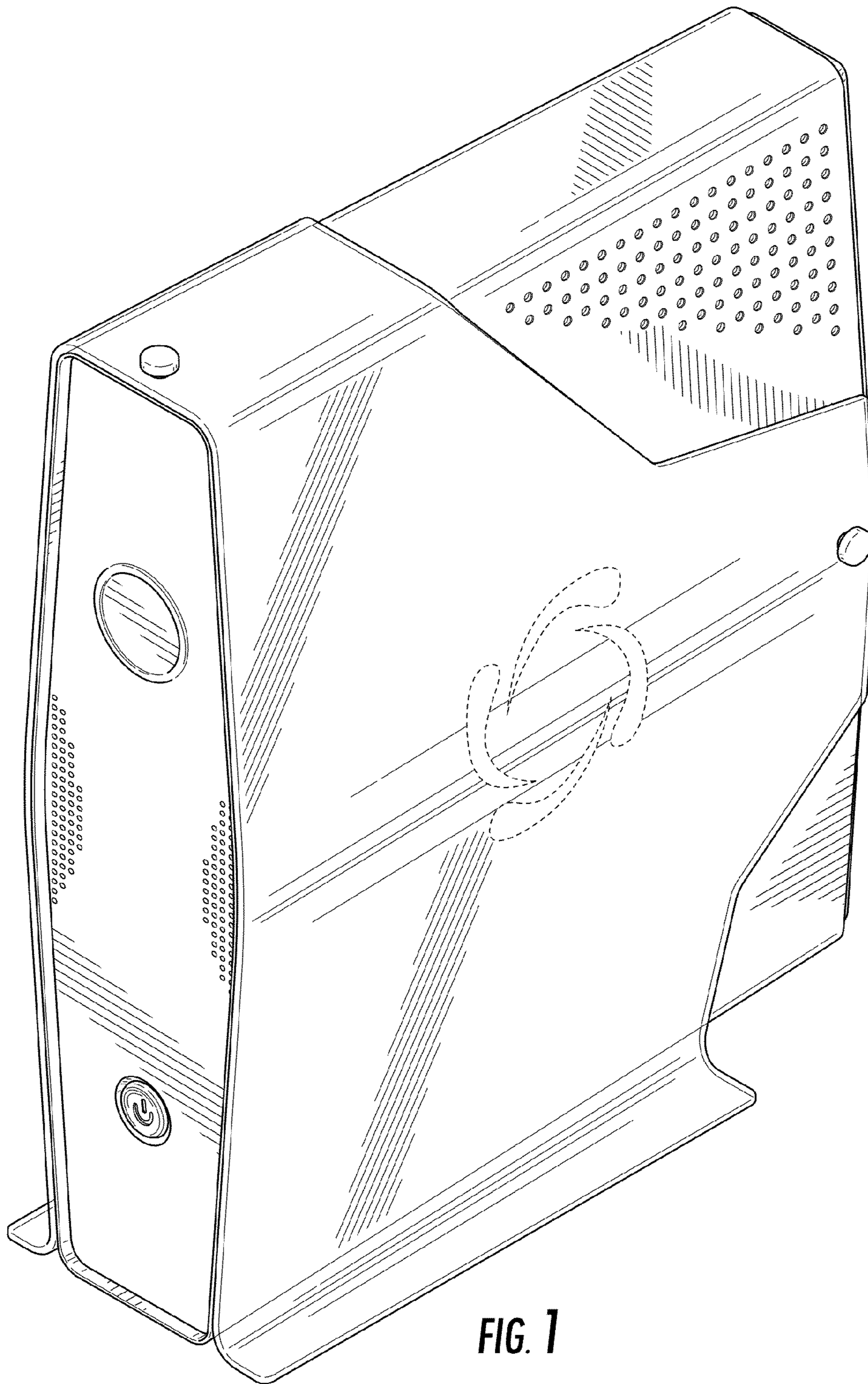


FIG. 1

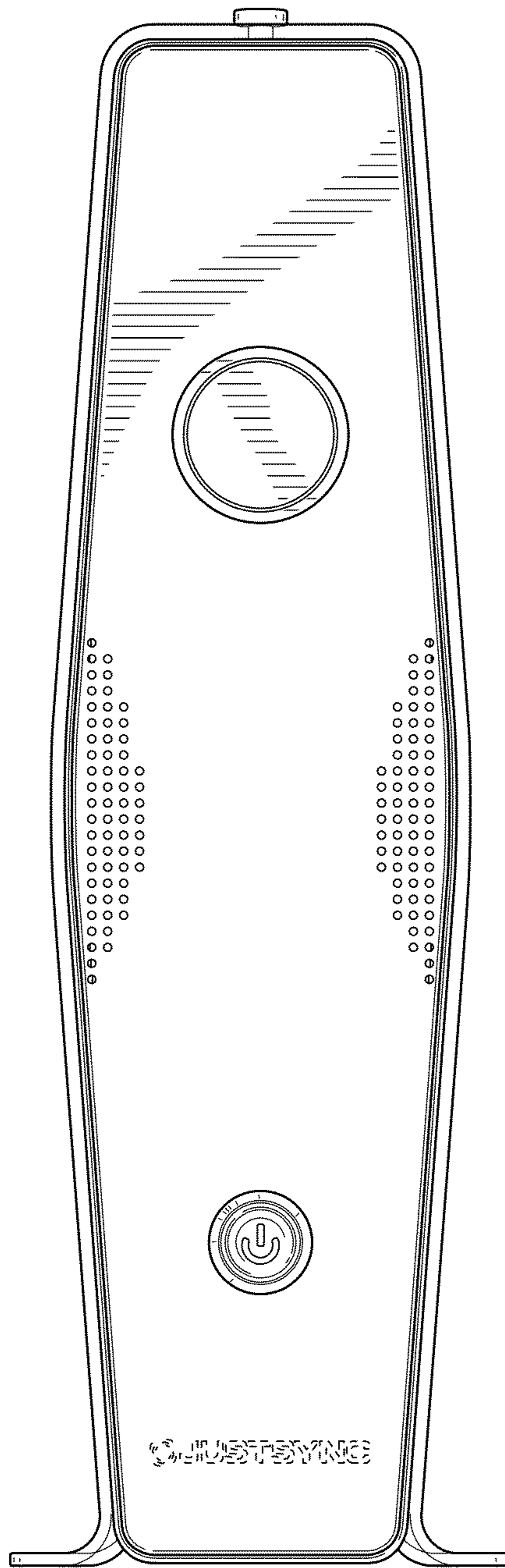
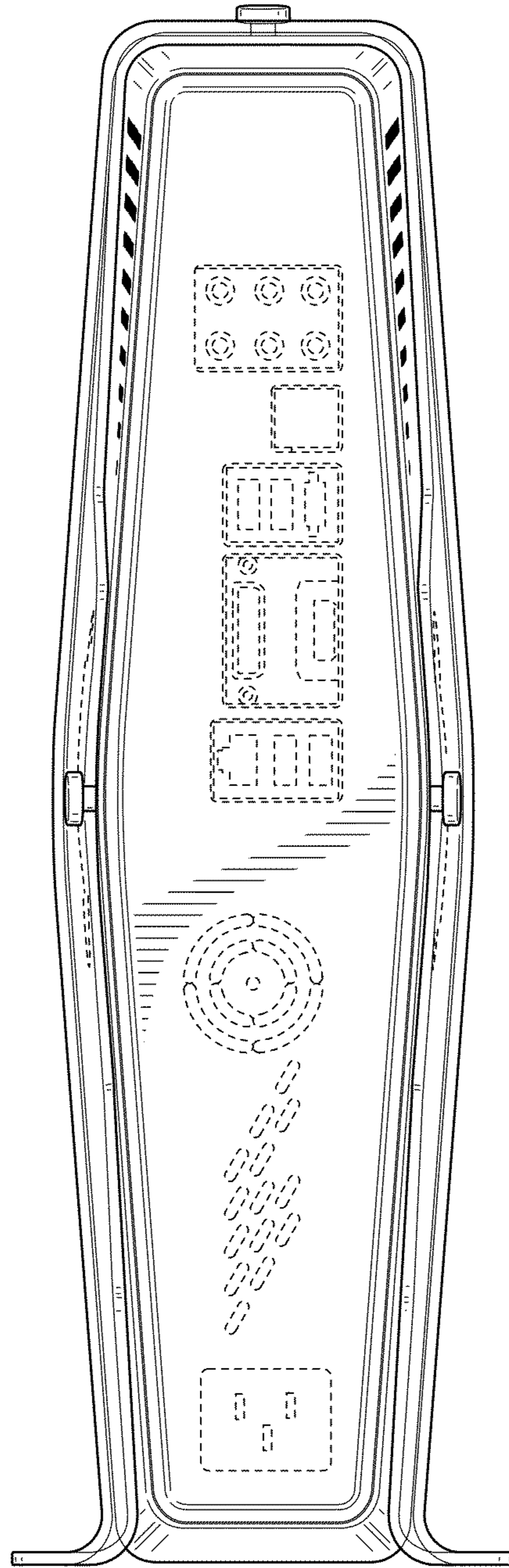


FIG. 2





**FIG. 3**

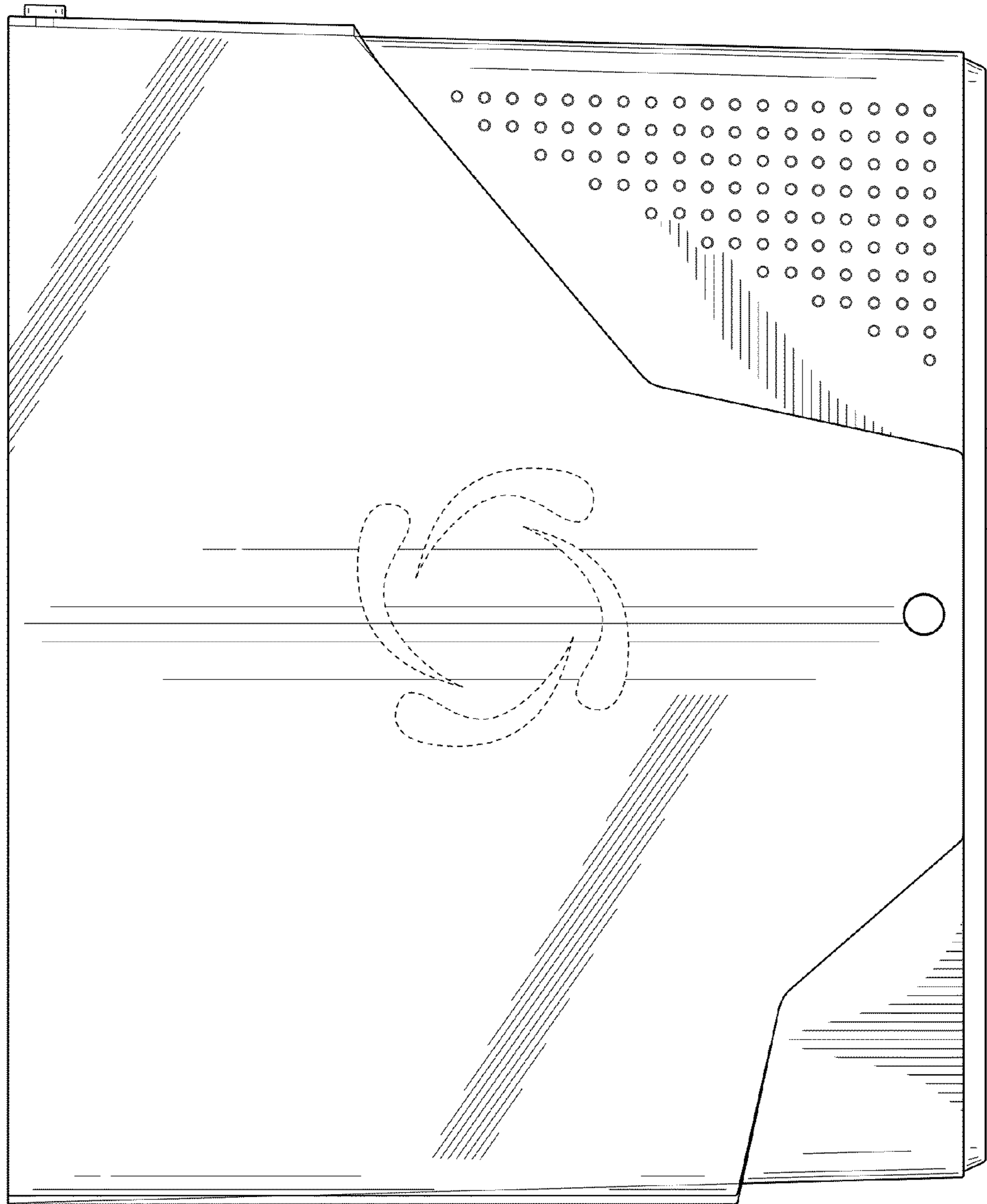


FIG. 4

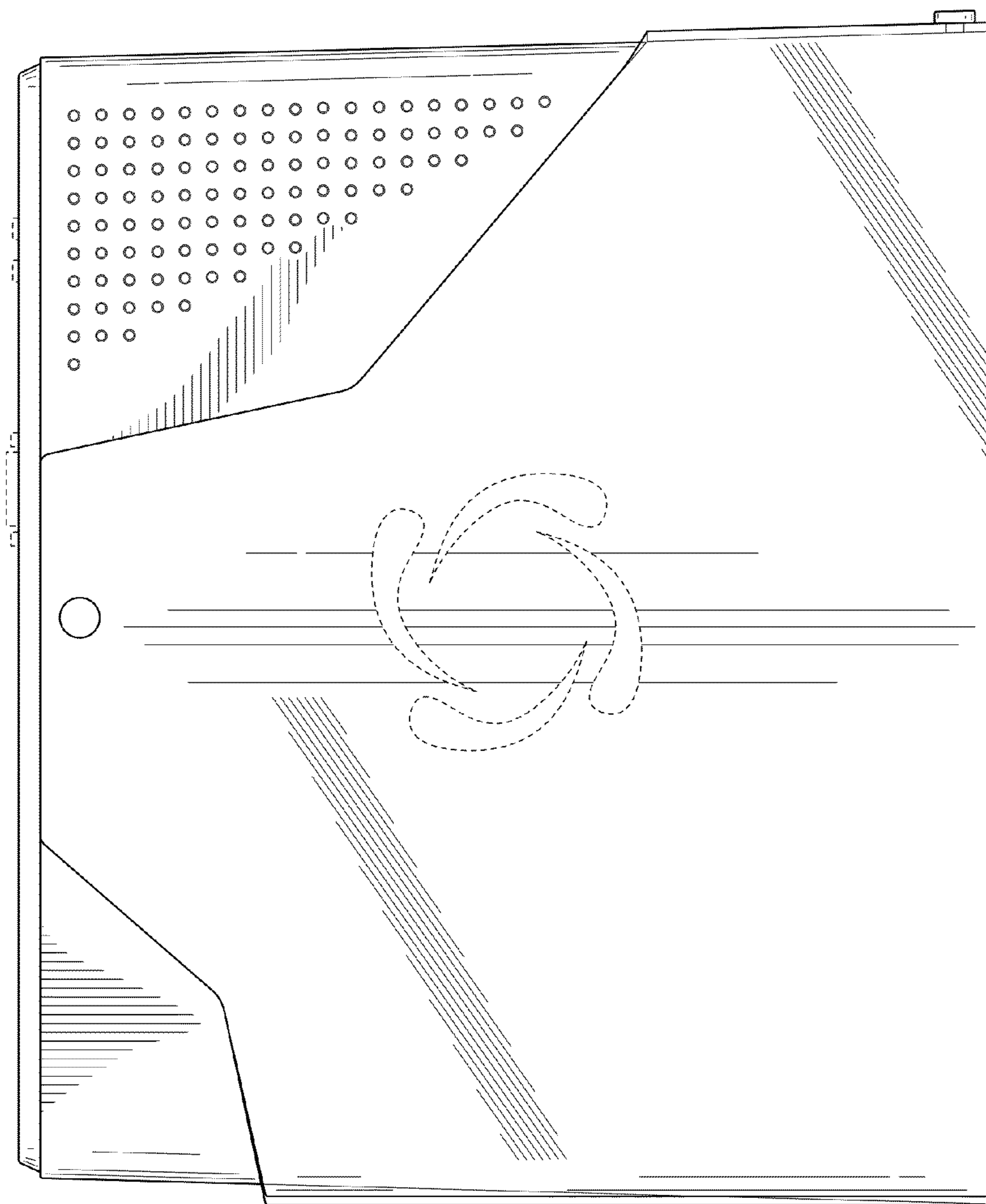
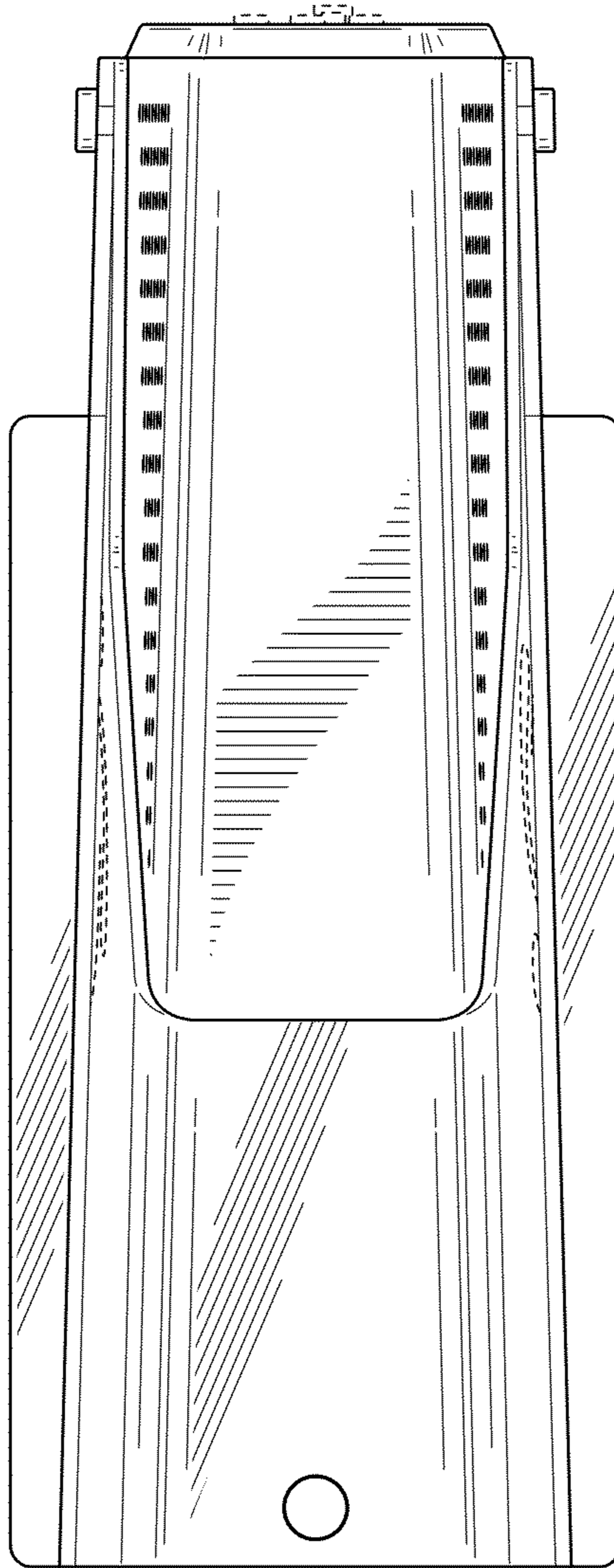
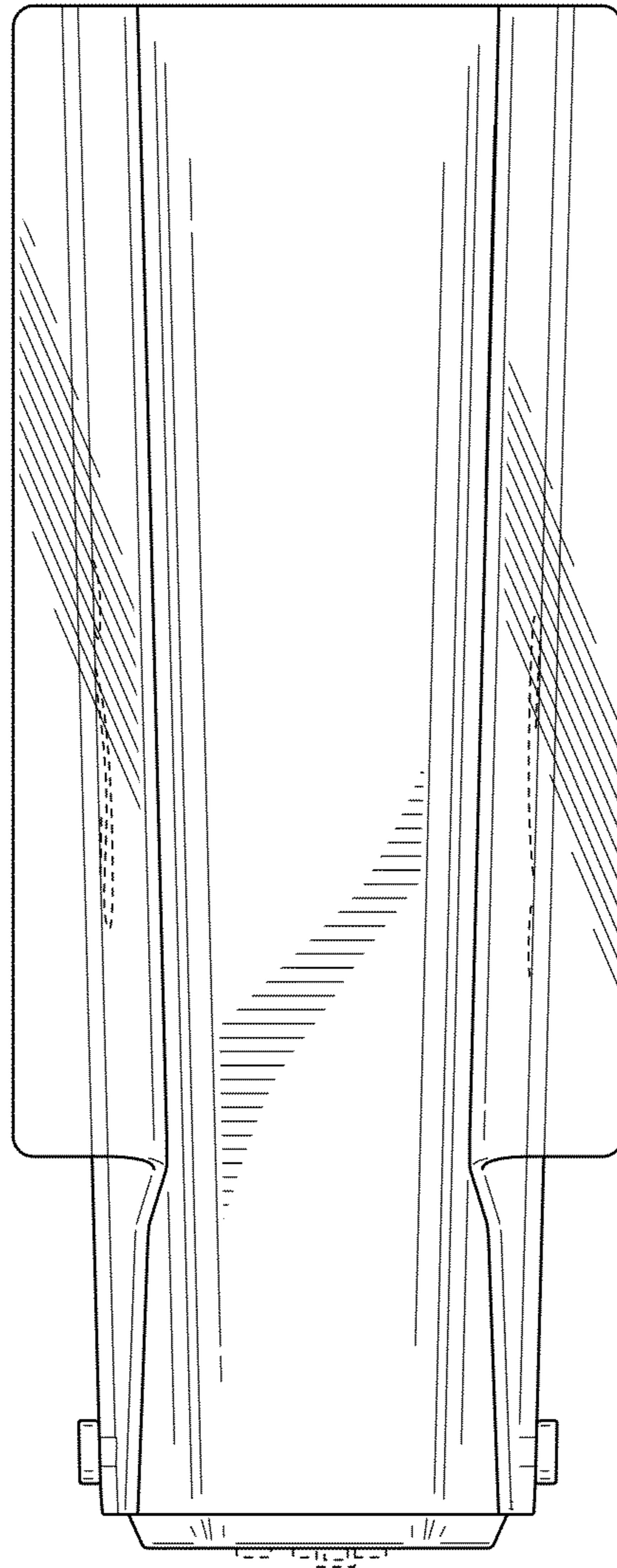


FIG. 5



**FIG. 6**



**FIG. 7**