



US00D698787S

(12) **United States Design Patent**
Kim

(10) **Patent No.:** **US D698,787 S**
(45) **Date of Patent:** **** Feb. 4, 2014**

(54) **TABLET COMPUTER**

(75) Inventor: **Dong-Hun Kim**, Seoul (KR)

(73) Assignee: **Samsung Electronics Co., Ltd.** (KR)

(**) Term: **14 Years**

(21) Appl. No.: **29/431,977**

(22) Filed: **Sep. 12, 2012**

(30) **Foreign Application Priority Data**

Jun. 14, 2012 (KR) 30-2012-0029004

(51) **LOC (10) Cl.** **14-02**

(52) **U.S. Cl.**
USPC **D14/341**

(58) **Field of Classification Search**
USPC D14/341-347, 137, 138 AA, 138 R,
D14/138 C, 138 G, 496, 203.1, 203.3, 203.7,
D14/426, 129, 130, 420, 147, 218, 247-248,
D14/389, 388, 315-318; D10/65, 104.1;
D18/6-7; D21/324, 329, 330;
455/556.1, 556.2, 566, 575.1, 90.3;
379/433.04, 433.01, 433.06, 916;
345/173, 901, 905; 361/679.26,
361/679.27, 679.3, 679.55, 679.56,
361/680-686; 248/917-924; 348/373, 376;
D19/60

See application file for complete search history.

(56) **References Cited**

U.S. PATENT DOCUMENTS

D361,552 S *	8/1995	Iino	D14/341
D380,199 S *	6/1997	Beruscha et al.	D13/184
D444,632 S *	7/2001	Hoodenpyl et al.	D6/300
D490,420 S *	5/2004	Solomon et al.	D14/341
D504,889 S *	5/2005	Andre et al.	D14/341
D558,460 S *	1/2008	Yu et al.	D6/308
D577,298 S *	9/2008	Reeson et al.	D10/65
D595,712 S *	7/2009	Guery et al.	D14/341

D601,353 S *	10/2009	Sadler et al.	D6/308
D601,814 S *	10/2009	Lissola	D6/308
D602,487 S *	10/2009	Maskatia	D14/341
D616,448 S *	5/2010	Skillman et al.	D14/439
D617,793 S *	6/2010	Chiang et al.	D14/341
D622,273 S *	8/2010	Hayton et al.	D14/439
D626,437 S *	11/2010	Lee et al.	D10/65
D627,777 S *	11/2010	Akana et al.	D14/341
D634,318 S *	3/2011	Buckle et al.	D14/341
D636,391 S *	4/2011	Shen et al.	D14/341
D637,596 S *	5/2011	Akana et al.	D14/341
D638,416 S *	5/2011	Kawase	D14/315
D639,266 S *	6/2011	DeLorenzo et al.	D14/142
D641,018 S *	7/2011	Lee et al.	D14/341
D645,833 S *	9/2011	Seflic et al.	D14/138 G
D646,902 S *	10/2011	Woo et al.	D6/308
D654,497 S *	2/2012	Lee	D14/341
D663,298 S *	7/2012	Song et al.	D14/341
D664,954 S *	8/2012	Kim et al.	D14/341
D666,198 S *	8/2012	Van Den Nieuwenhuizen et al.	D14/341
D667,006 S *	9/2012	Van Den Nieuwenhuizen et al.	D14/341
D667,396 S *	9/2012	Koh	D14/341
D667,397 S *	9/2012	Koh	D14/341
D667,398 S *	9/2012	Koh	D14/341

(Continued)

Primary Examiner — Barbara Fox

(74) *Attorney, Agent, or Firm* — Cantor Colburn LLP

(57) **CLAIM**

The ornamental design for a tablet computer, as shown and described.

DESCRIPTION

FIG. 1 is a front perspective view of tablet computer, showing our new design;

FIG. 2 is a front elevational view thereof;

FIG. 3 is a rear elevational view thereof;

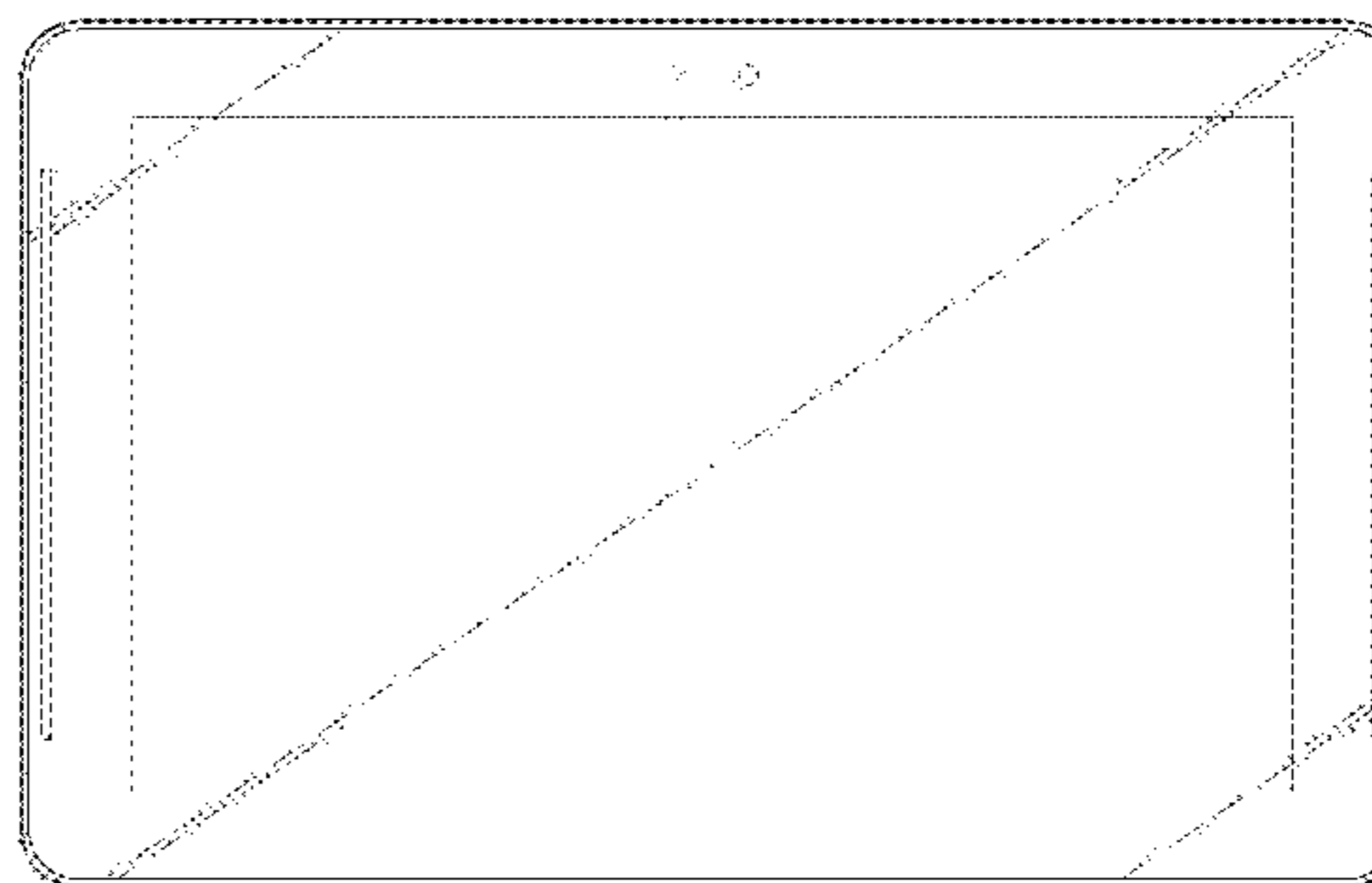
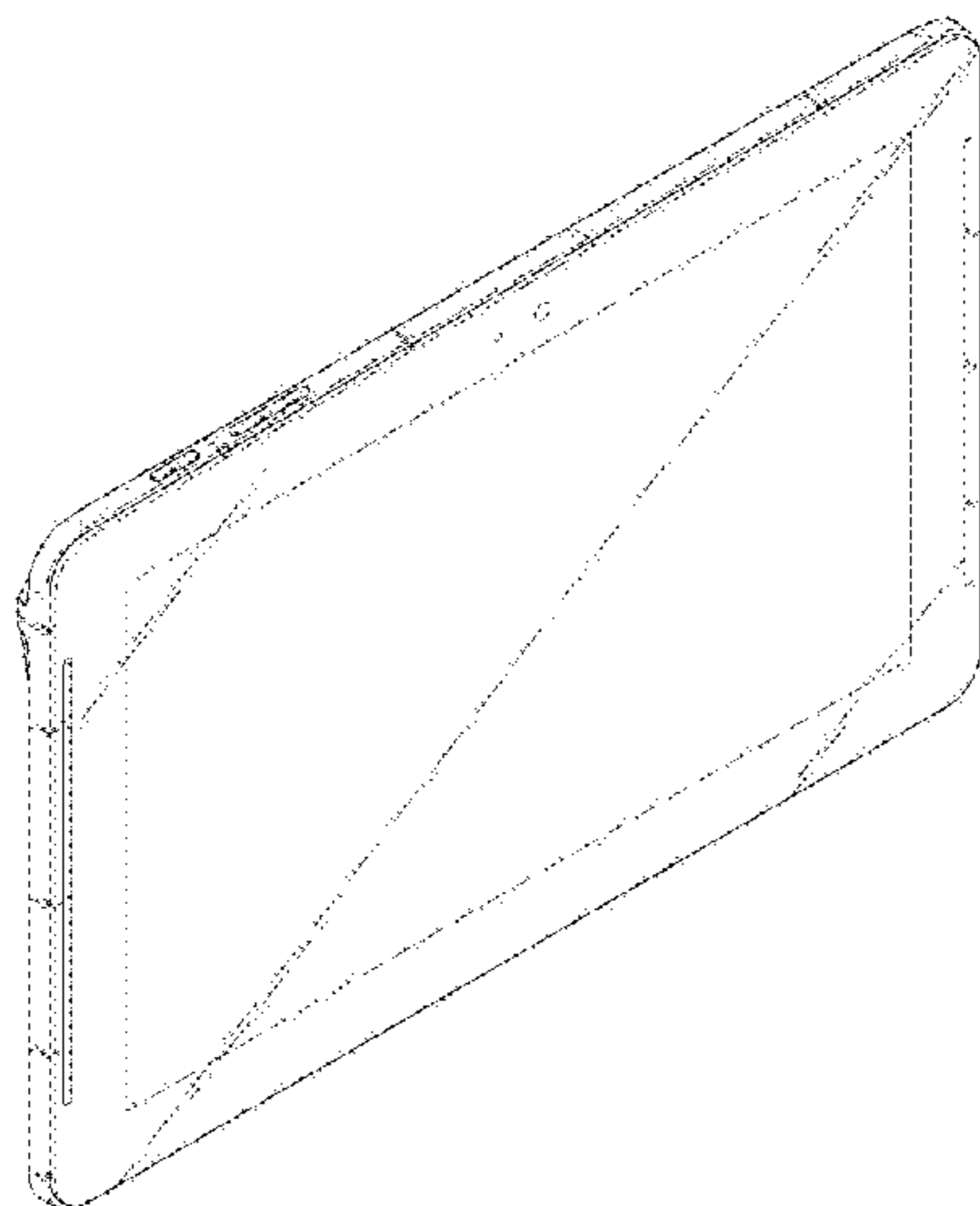
FIG. 4 is a left side elevational view thereof;

FIG. 5 is a right side elevational view thereof;

FIG. 6 is a top plan view thereof; and,

FIG. 7 is a bottom plan view thereof.

1 Claim, 7 Drawing Sheets



(56)

References Cited

U.S. PATENT DOCUMENTS

D667,399 S *	9/2012	Koh	D14/341	D678,884 S *	3/2013	Phillips et al.	D14/440
D668,651 S *	10/2012	Kim et al.	D14/341	8,390,573 B2 *	3/2013	Trout	345/169
D669,070 S *	10/2012	Hsu et al.	D14/341	D679,706 S *	4/2013	Tang et al.	D14/341
D669,468 S *	10/2012	Akana et al.	D14/341	D680,524 S *	4/2013	Feng et al.	D14/341
D669,469 S *	10/2012	Kang	D14/341	D681,583 S *	5/2013	Park	D14/138 G
D670,692 S *	11/2012	Akana et al.	D14/341	D681,632 S *	5/2013	Akana et al.	D14/341
D671,514 S *	11/2012	Kim et al.	D14/138 G	D684,968 S *	6/2013	Smith et al.	D14/341
D671,939 S *	12/2012	Chung	D14/374	D684,969 S *	6/2013	Smith et al.	D14/341
D671,940 S *	12/2012	Kim	D14/374	D685,783 S *	7/2013	Bryan et al.	D14/341
D672,344 S *	12/2012	Li	D14/341	D686,626 S *	7/2013	Tan	D14/440
D673,561 S *	1/2013	Hyun et al.	D14/341	D687,032 S *	7/2013	Sanjo et al.	D14/341
D673,950 S *	1/2013	Li et al.	D14/341	D687,820 S *	8/2013	Kim	D14/341
D676,443 S *	2/2013	Canizares et al.	D14/341	D687,823 S *	8/2013	Ryu et al.	D14/341
D677,255 S *	3/2013	McManigal et al.	D14/341	D687,824 S *	8/2013	Chun et al.	D14/341
D677,659 S *	3/2013	Akana et al.	D14/341	D687,825 S *	8/2013	Lee et al.	D14/341
D677,660 S *	3/2013	Groene et al.	D14/341	D687,826 S *	8/2013	Jeon et al.	D14/341
D678,271 S *	3/2013	Chiu	D14/341	D687,827 S *	8/2013	Song et al.	D14/341
D678,292 S *	3/2013	Phillips et al.	D14/440	D688,661 S *	8/2013	Ho et al.	D14/341
				D689,048 S *	9/2013	Wang et al.	D14/341
				D689,481 S *	9/2013	Song et al.	D14/341
				D689,482 S *	9/2013	Akana et al.	D14/341

* cited by examiner

FIG. 1

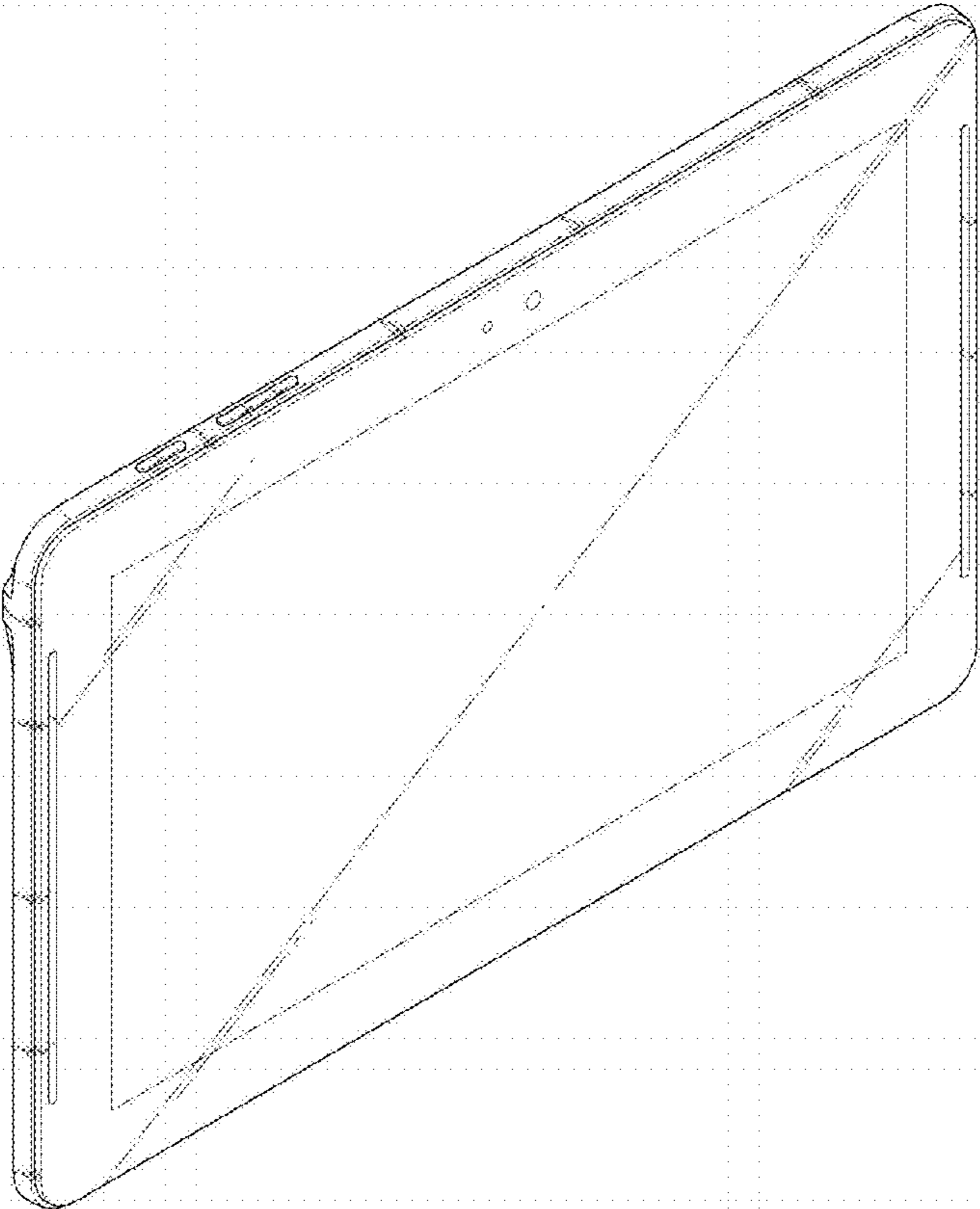


FIG. 2

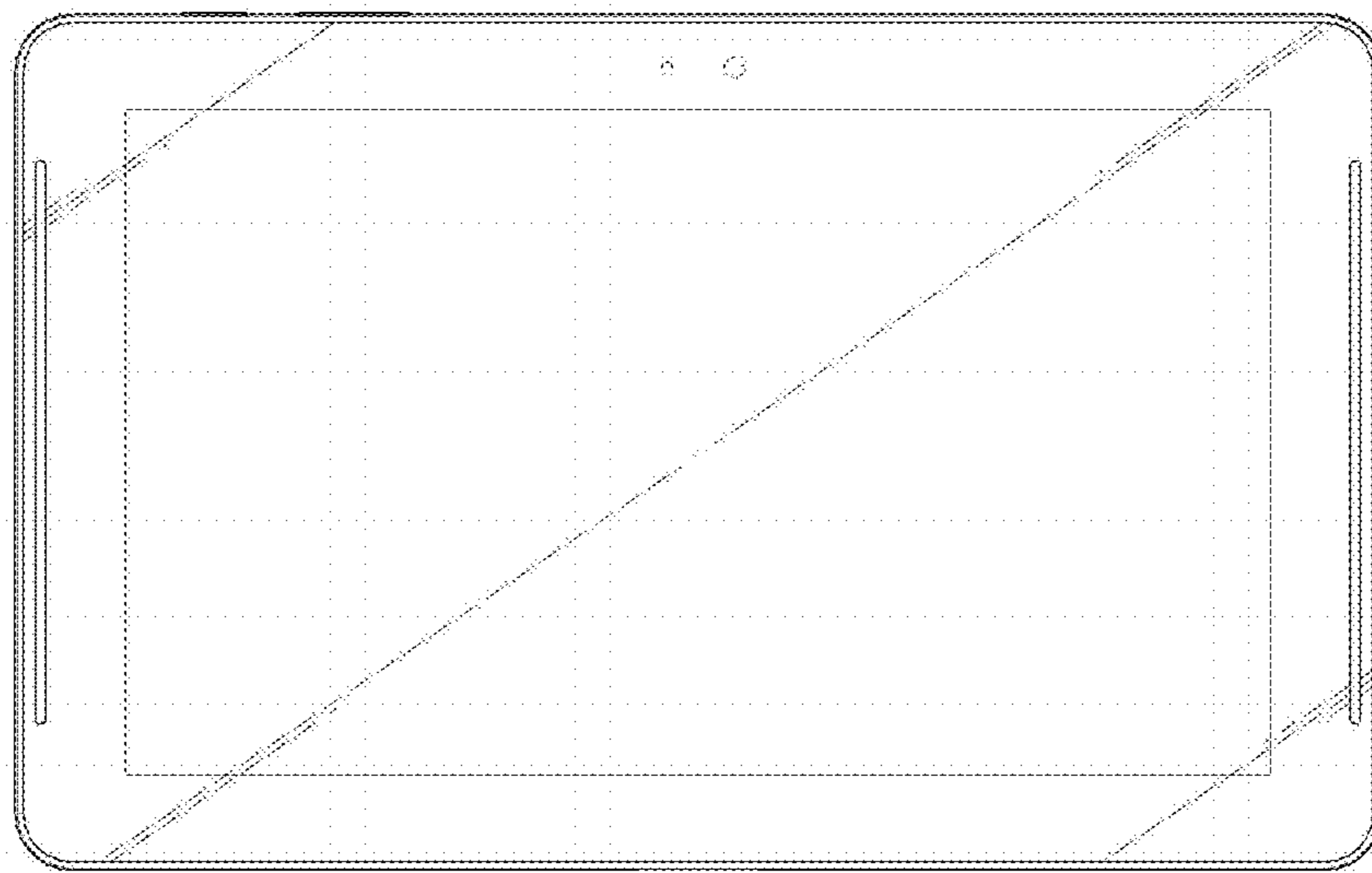


FIG.3

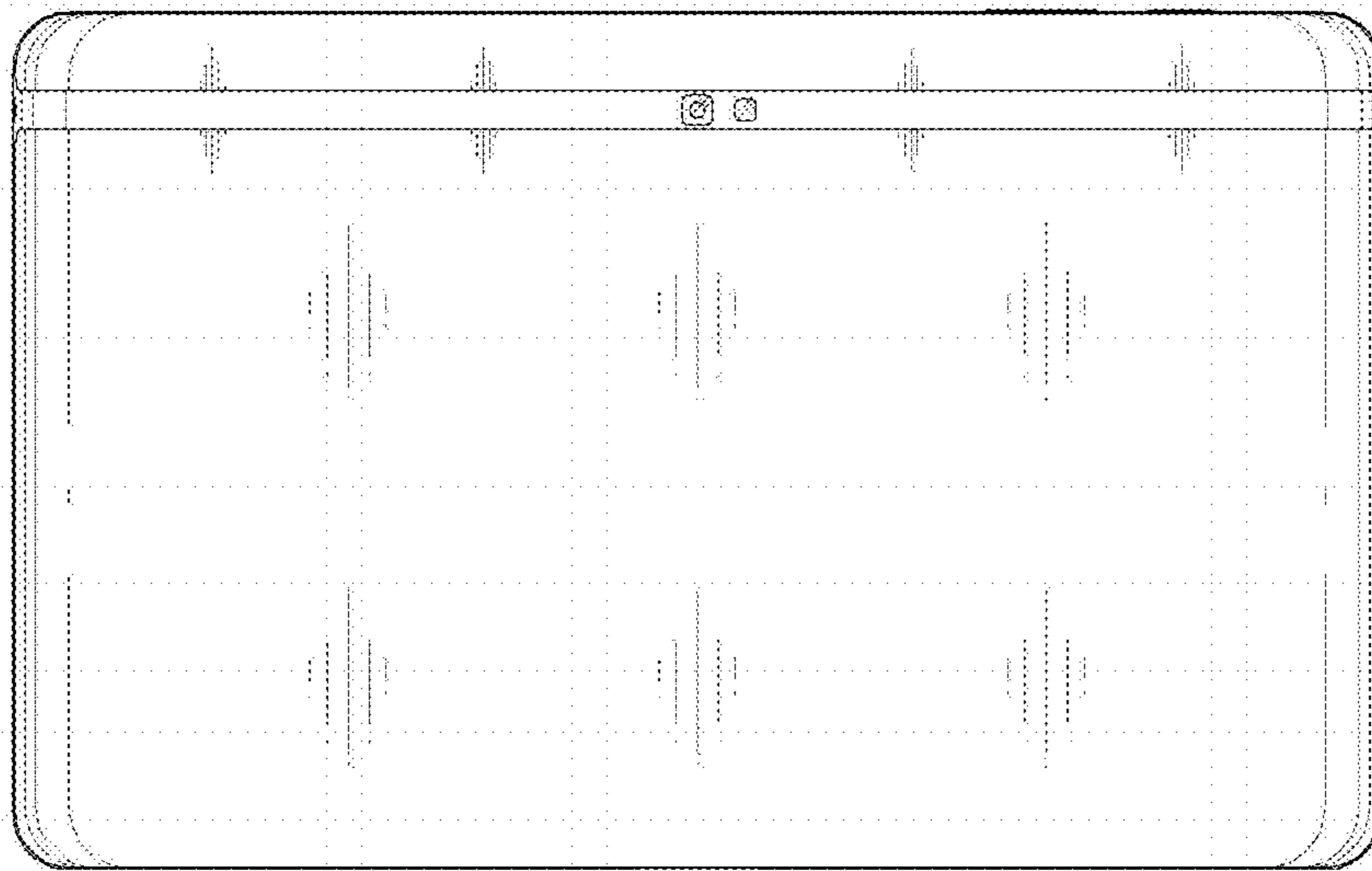


FIG. 4



FIG. 5

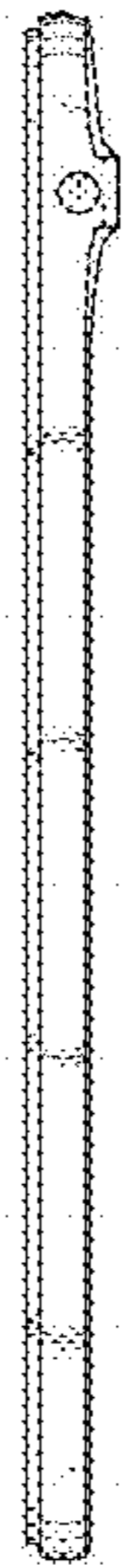


FIG. 6

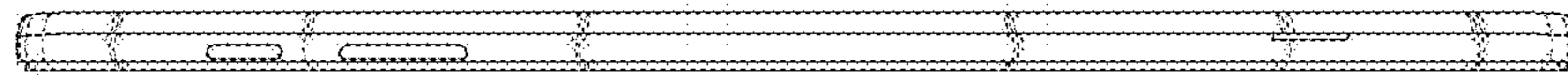


FIG. 7

