



US00D698784S

(12) **United States Design Patent**
Kim et al.

(10) **Patent No.:** **US D698,784 S**

(45) **Date of Patent:** **** Feb. 4, 2014**

(54) **TABLET PC**

(75) Inventors: **Dong-Kyun Kim**, Seoul (KR);
Hyoung-Shin Park, Seoul (KR)

(73) Assignee: **Samsung Electronics Co., Ltd.**,
Suwon-si (KR)

(**) Term: **14 Years**

(21) Appl. No.: **29/426,451**

(22) Filed: **Jul. 5, 2012**

(30) **Foreign Application Priority Data**

Jan. 25, 2012 (KR) 30-2012-0003406

(51) **LOC (10) Cl.** **14-02**

(52) **U.S. Cl.**

USPC **D14/341**; D14/345

(58) **Field of Classification Search**

USPC D14/341-347, 137, 138 AA, 138 R,
D14/138 C, 138 G, 496, 203.1, 203.3, 203.7,
D14/426, 129, 130, 420, 147, 218, 247-248,
D14/389, 388, 315-318; D10/65, 104.1;
D18/6-7; D21/324, 329, 330;
455/556.1, 556.2, 566, 575.1, 90.3;
379/433.04, 433.01, 433.06, 916;
345/173, 901, 905; 361/679.26,
361/679.27, 679.3, 679.55, 679.56,
361/680-686; 248/917-924; 348/373, 376;
D19/60

See application file for complete search history.

(56) **References Cited**

U.S. PATENT DOCUMENTS

D553,750 S * 10/2007 Yamaoka D24/172
D584,304 S * 1/2009 Lin D14/346

(Continued)

Primary Examiner — Barbara Fox

(74) *Attorney, Agent, or Firm* — NSIP Law

(57) **CLAIM**

The ornamental design for a tablet PC, as shown and described.

DESCRIPTION

FIG. 1 is a rear perspective view of a tablet PC showing our new design;

FIG. 2 is a rear view of the tablet PC of FIG. 1;

FIG. 3 is a front view of the tablet PC of FIG. 1;

FIG. 4 is a left-side view of the tablet PC of FIG. 1;

FIG. 5 is a right-side view of the tablet PC of FIG. 1;

FIG. 6 is a top plan view of the tablet PC of FIG. 1;

FIG. 7 is a bottom plan view of the tablet PC of FIG. 1;

FIG. 8 is a front perspective view of the tablet PC of FIG. 1;

FIG. 9 is a rear perspective view of the tablet PC of FIGS. 1-8, shown in an open position;

FIG. 10 is a rear view of the tablet PC of FIG. 9;

FIG. 11 is a front view of the tablet PC of FIG. 9;

FIG. 12 is a left-side view of the tablet PC of FIG. 9;

FIG. 13 is a right-side view of the tablet PC of FIG. 9;

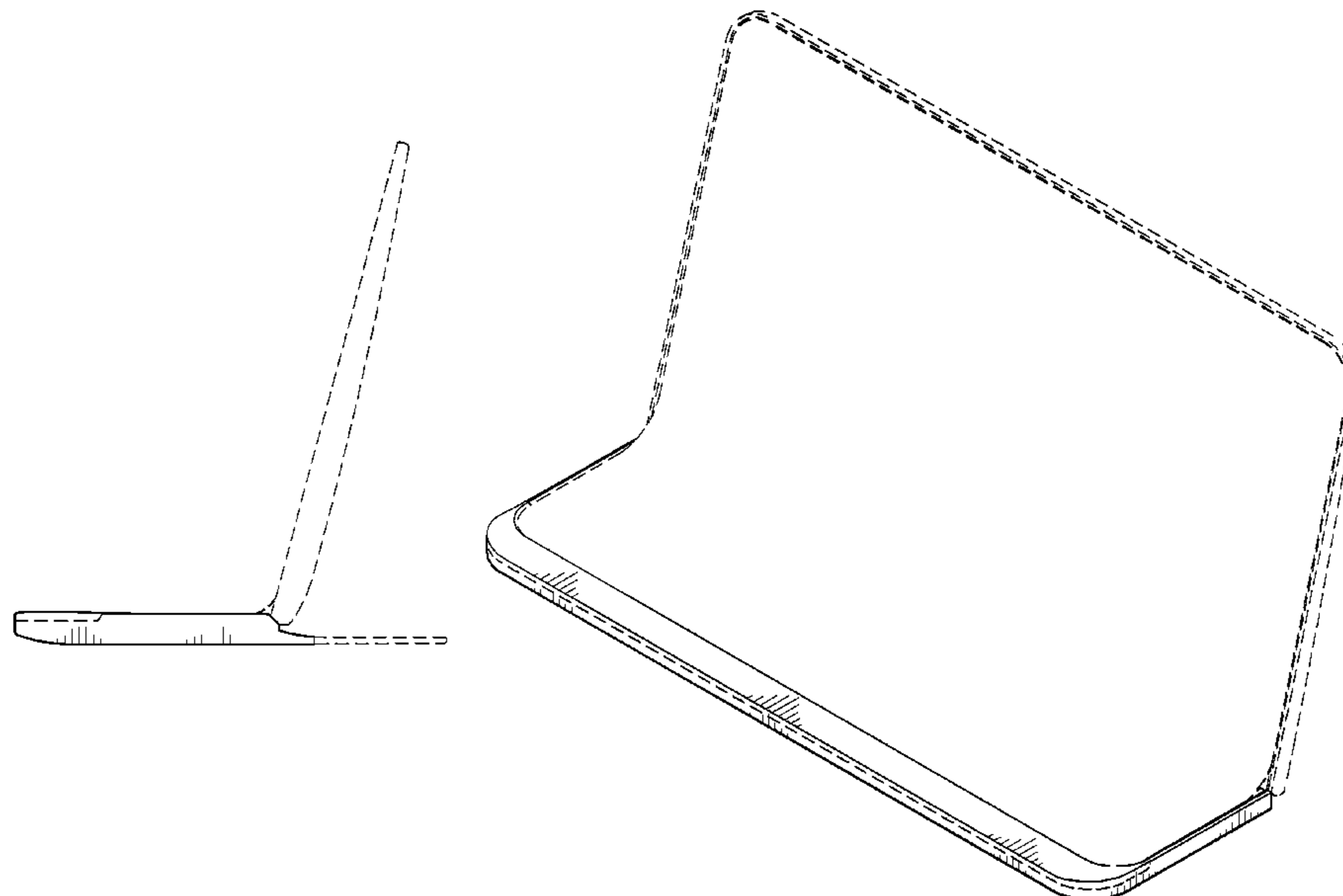
FIG. 14 is a top plan view of the tablet PC of FIG. 9;

FIG. 15 is a bottom plan view of the tablet PC of FIG. 9; and,

FIG. 16 is a front perspective view of the tablet PC of FIG. 9.

The dash-dot-dash broken line immediately adjacent to the solid-line portions of the design represents an unclaimed boundary of the design. The evenly spaced dash-dash broken lines shown in the drawings represent unclaimed portions of the design. The broken lines in the Figures form no part of the claimed design.

1 Claim, 16 Drawing Sheets



US D698,784 S

Page 2

(56)

References Cited

U.S. PATENT DOCUMENTS

D628,575 S * 12/2010 Ko et al. D14/374
D640,691 S * 6/2011 Nieves D14/346
D655,307 S * 3/2012 Maier et al. D14/496

D659,692 S * 5/2012 Jung et al. D14/341
D669,467 S * 10/2012 Ballout D14/336
D680,110 S * 4/2013 Rossiter et al. D14/341
D681,054 S * 4/2013 Koh et al. D14/496
D682,263 S * 5/2013 Kim et al. D14/341

* cited by examiner

FIG.1

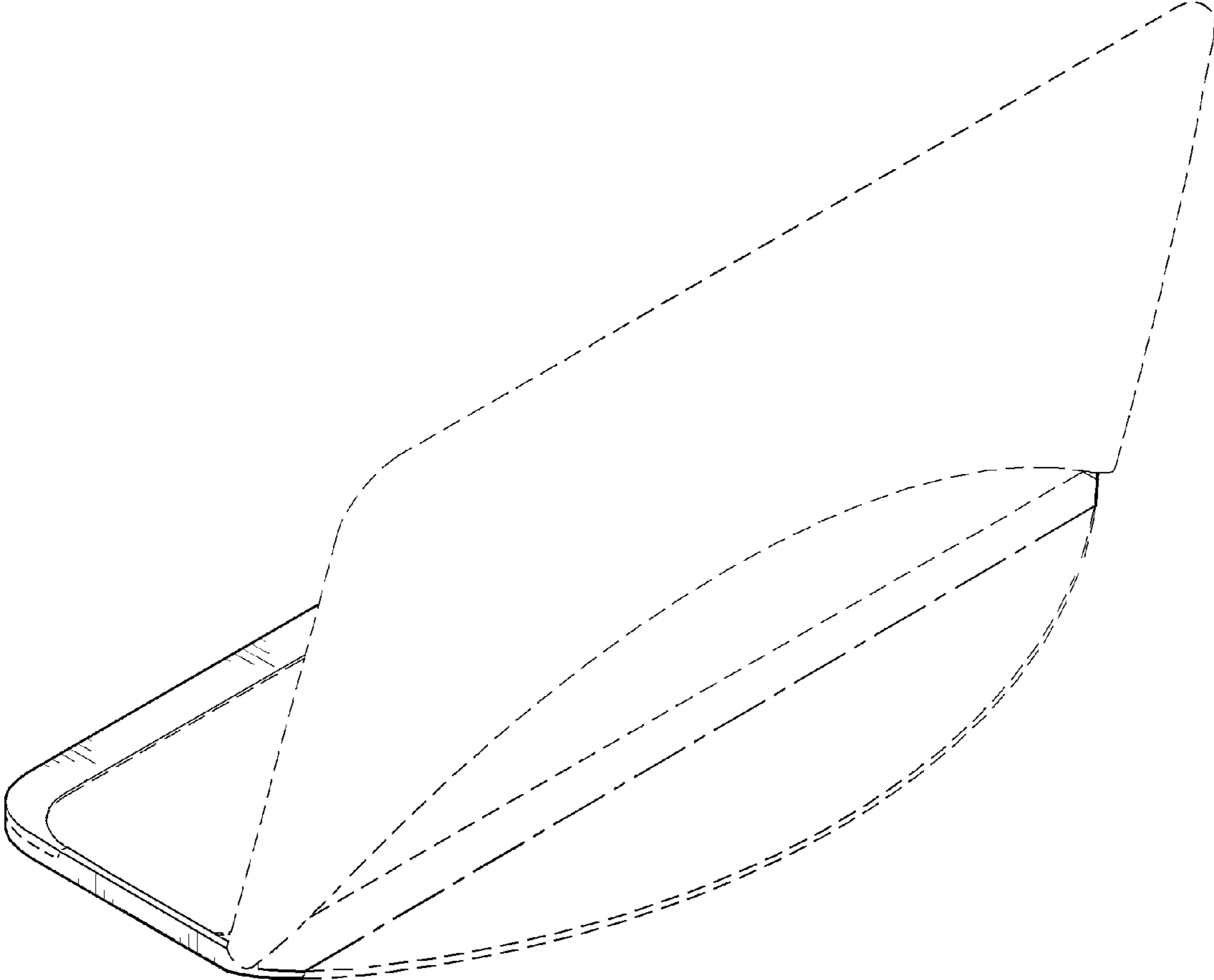


FIG.2

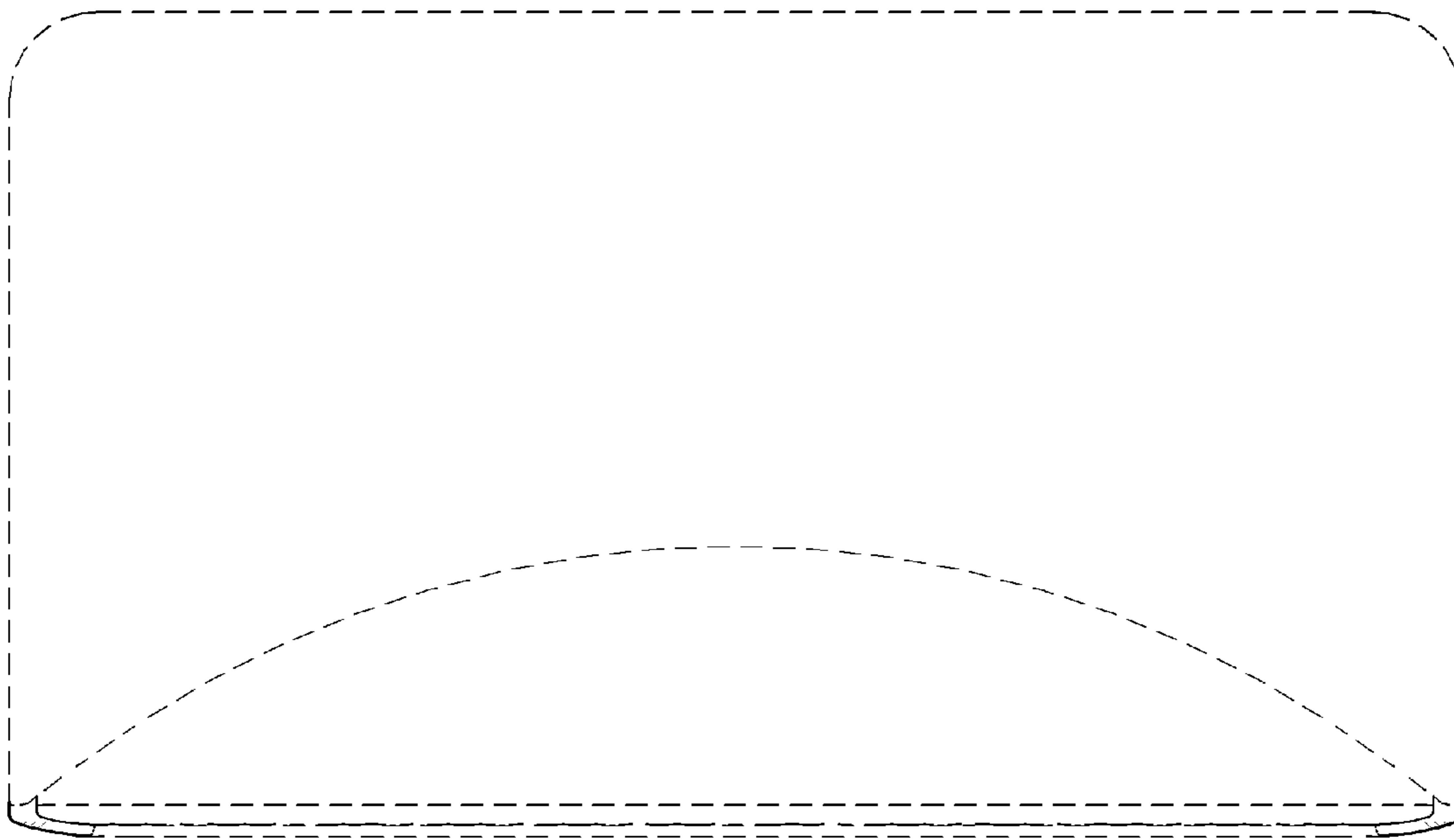


FIG.3

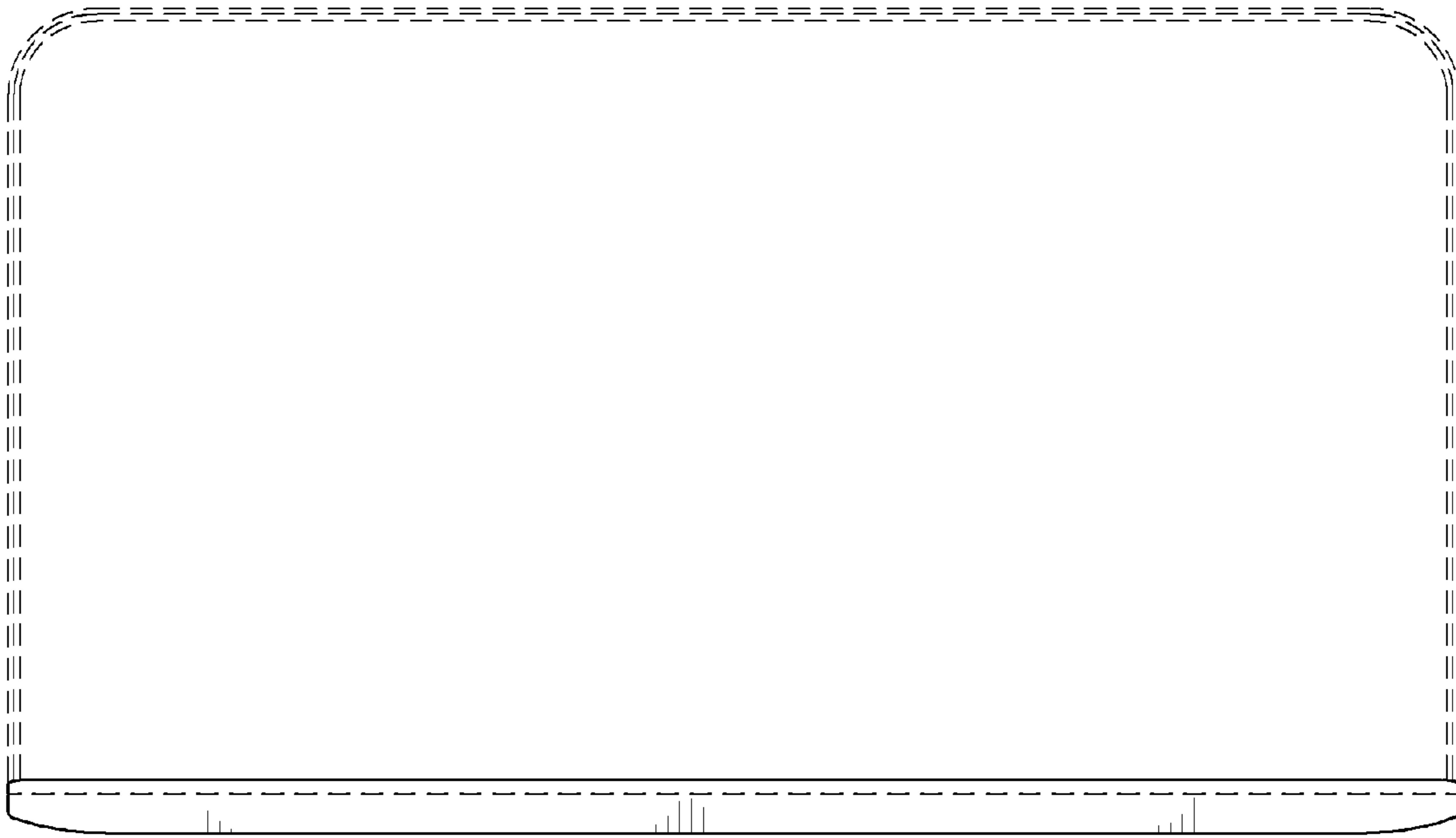


FIG.4

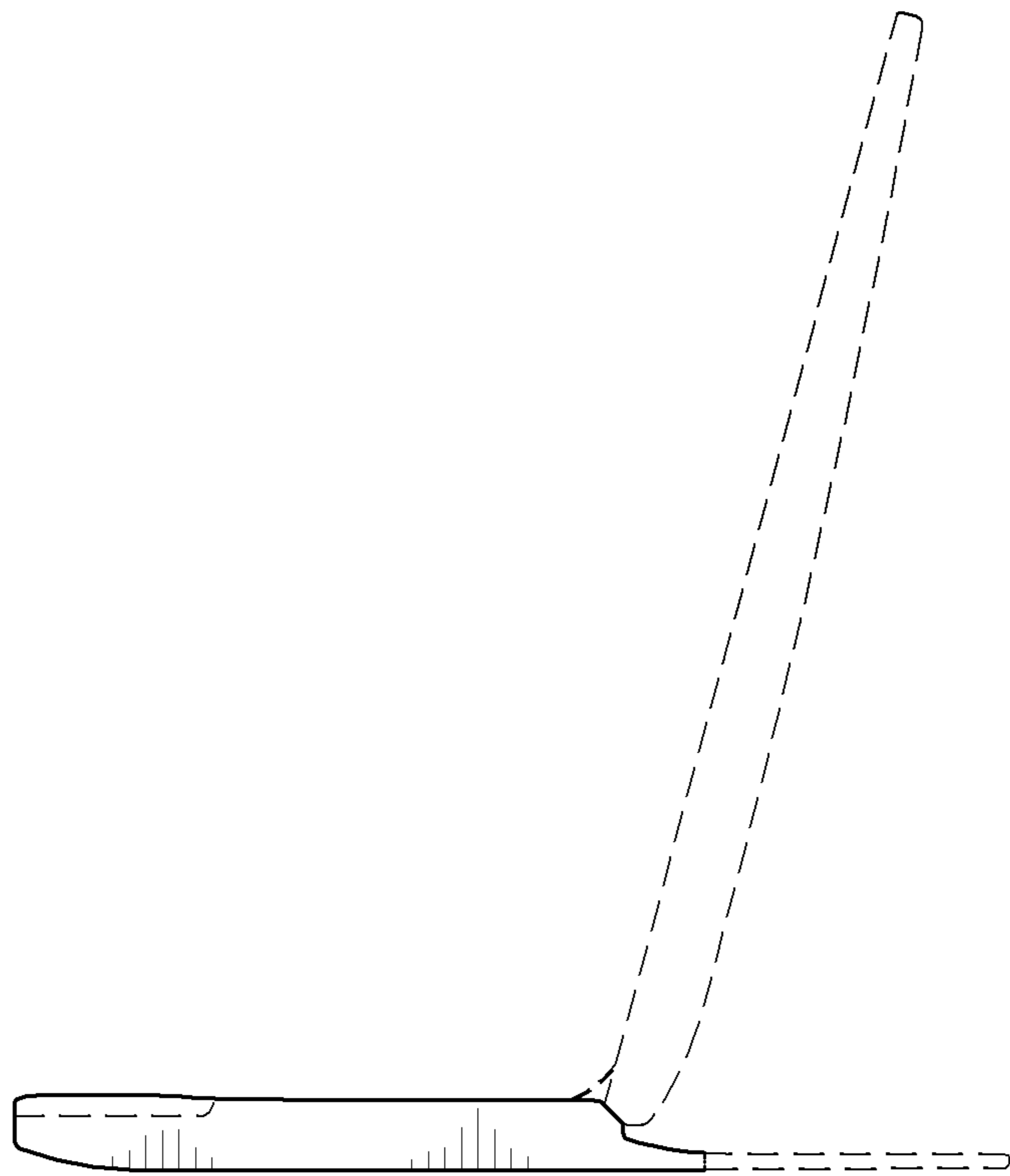


FIG.5

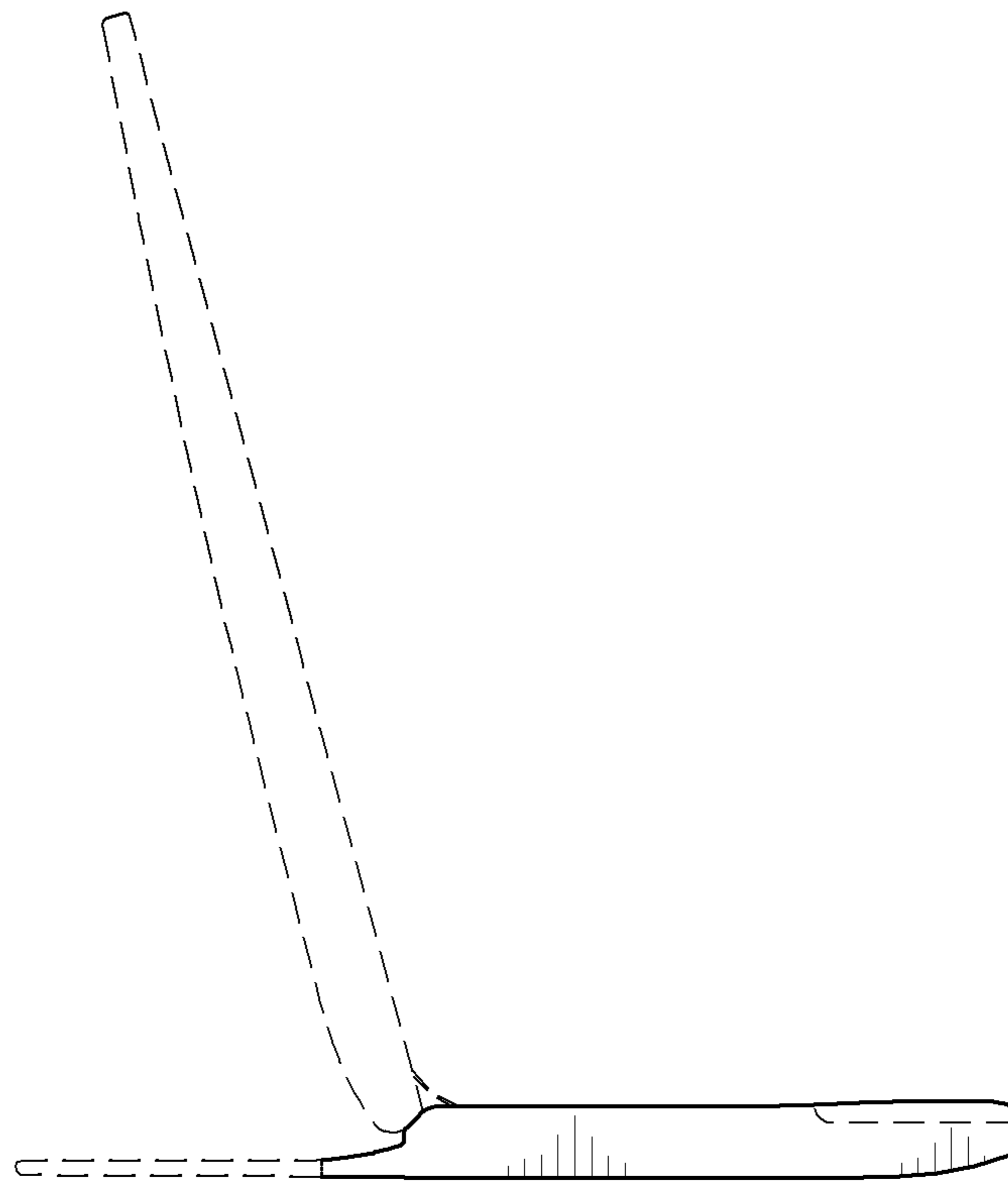


FIG.6

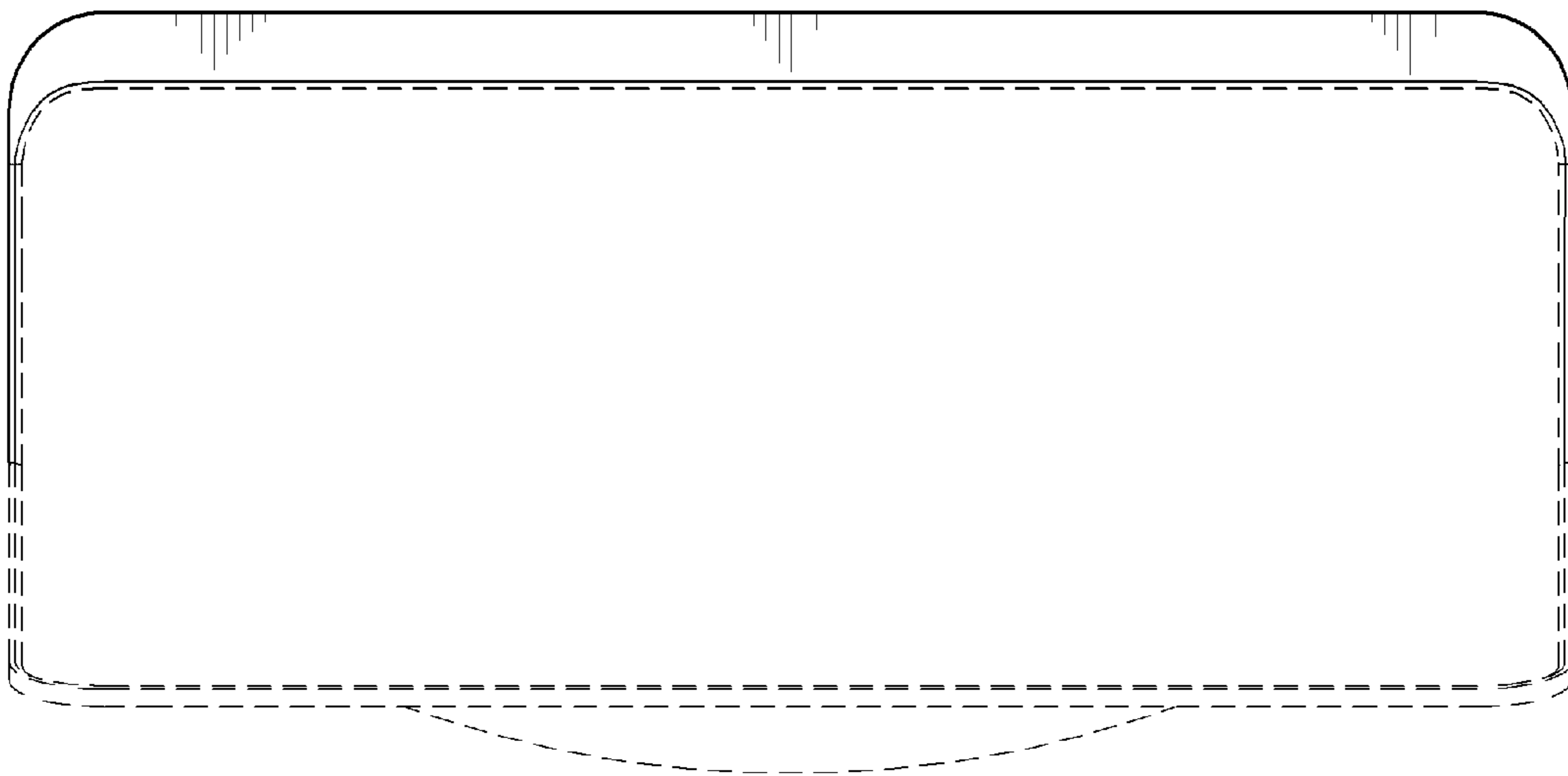


FIG.7

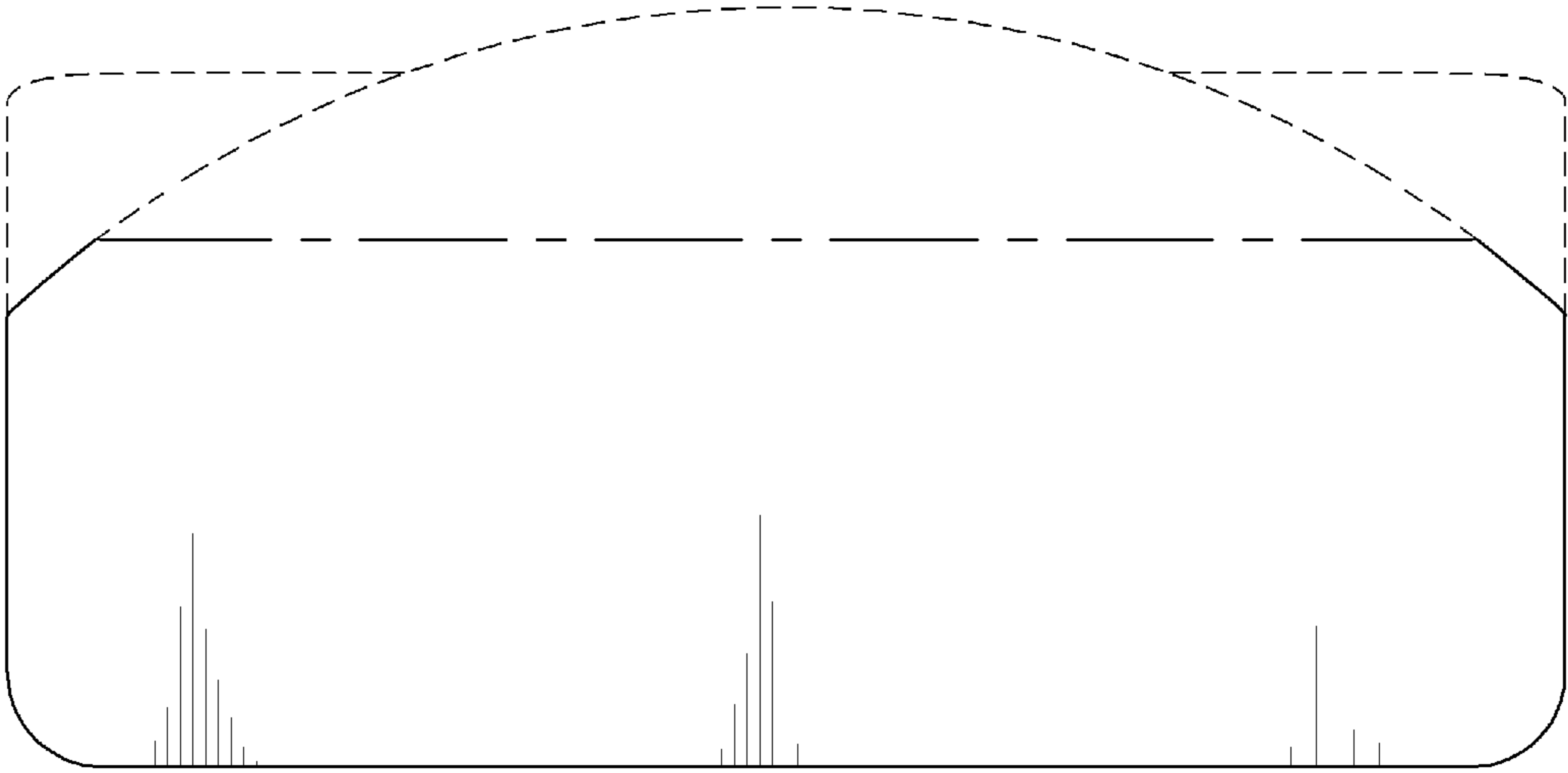


FIG.8

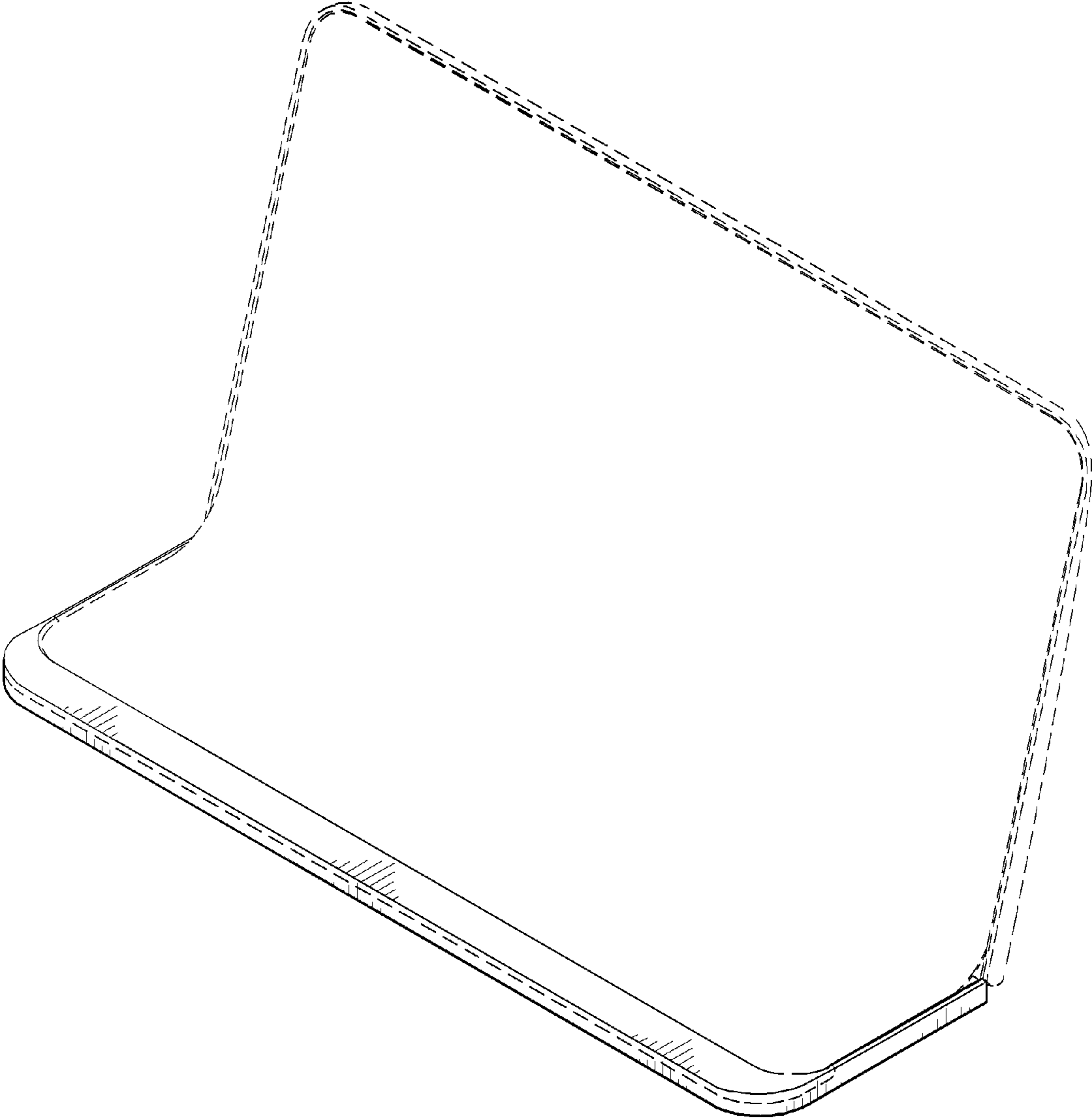


FIG.9

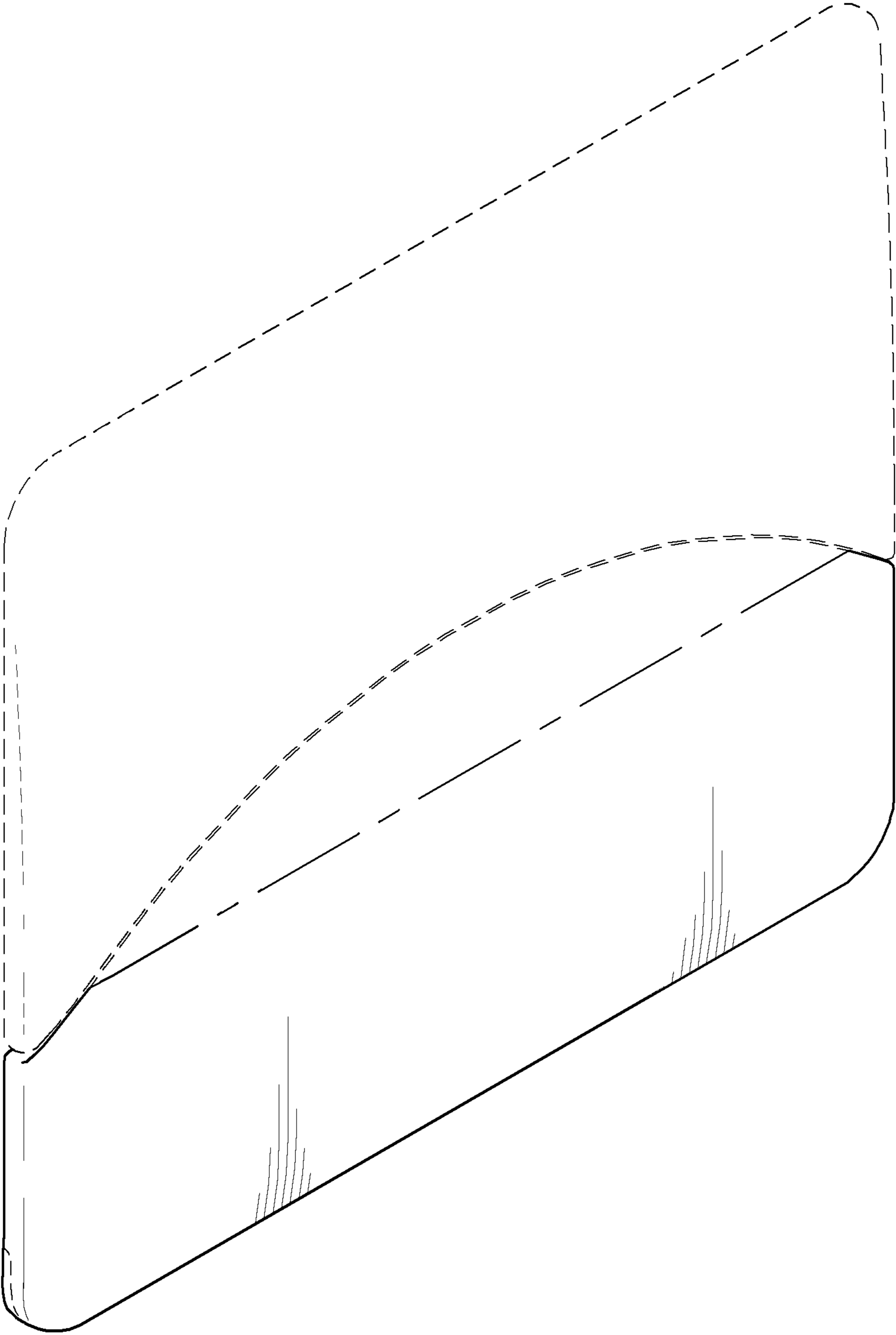


FIG.10

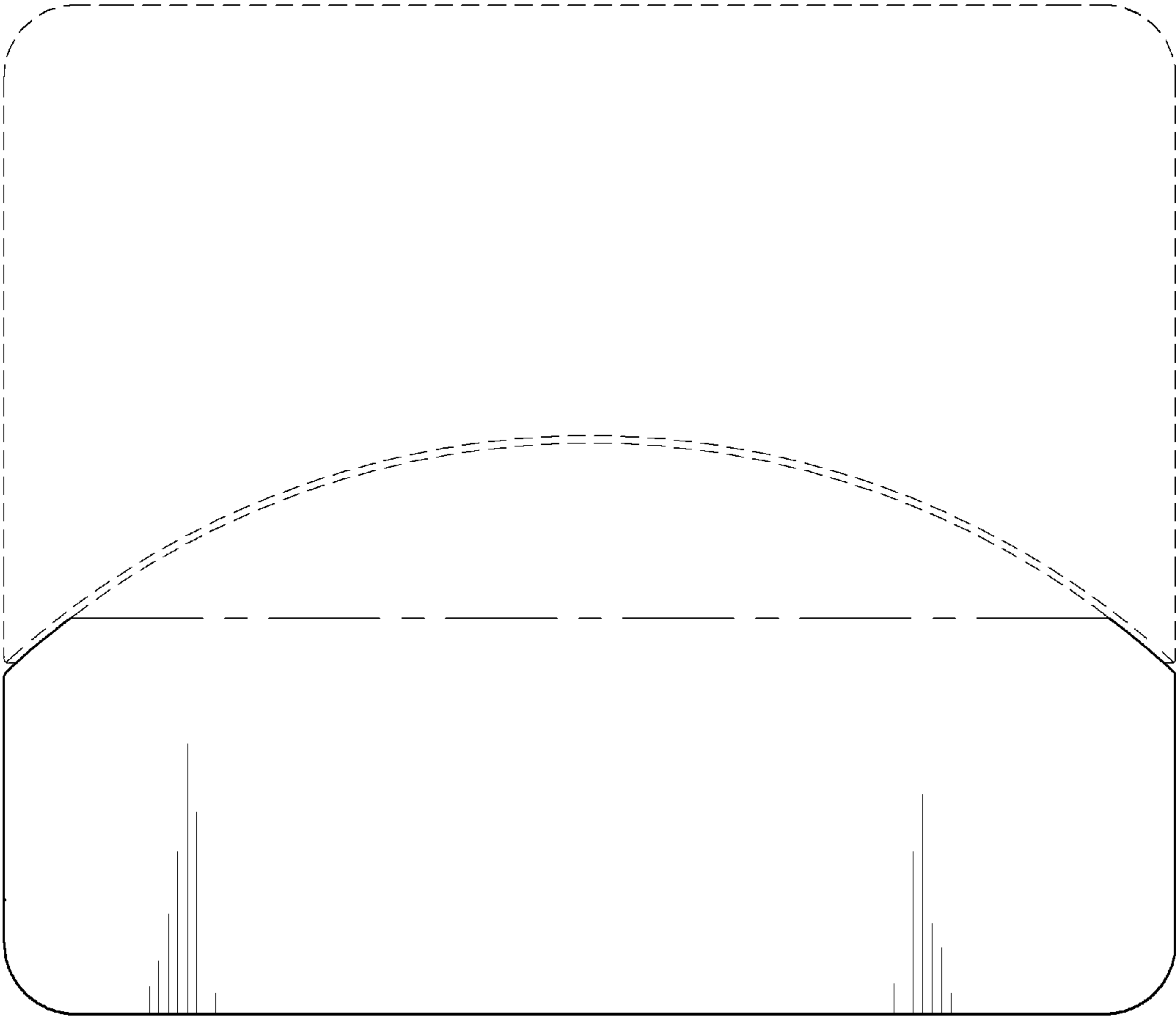


FIG.11

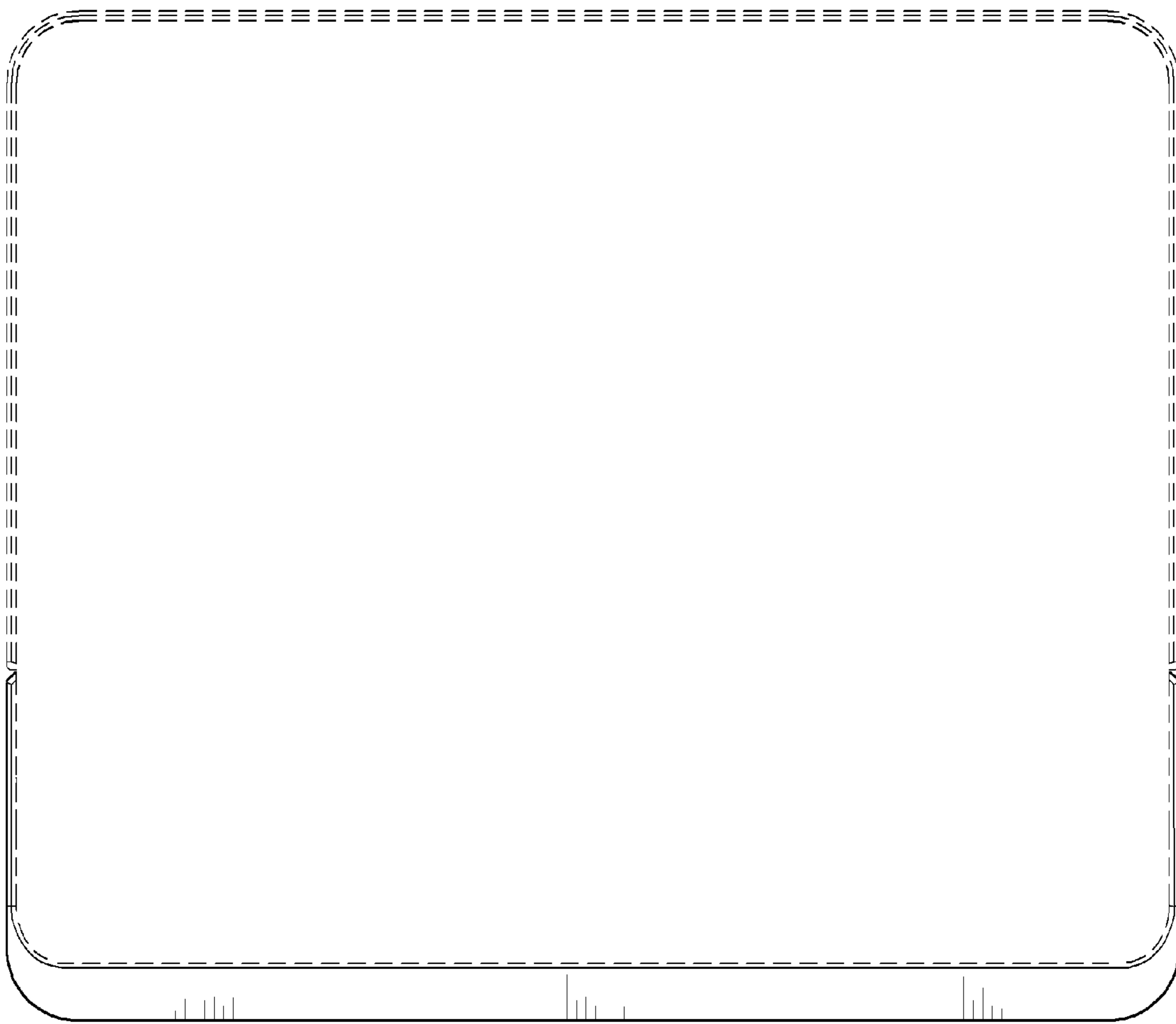


FIG.12

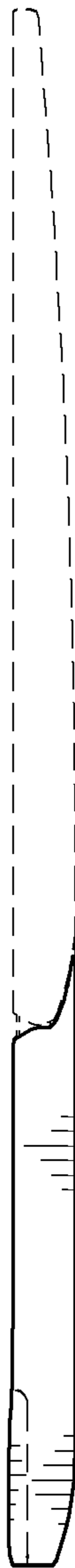


FIG.13

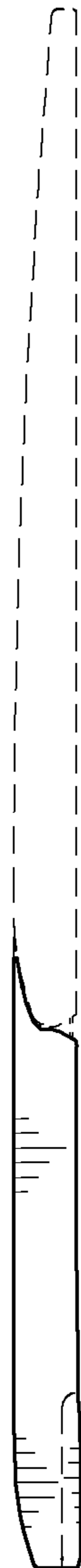


FIG.14

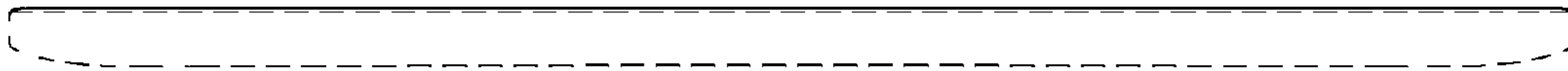


FIG.15

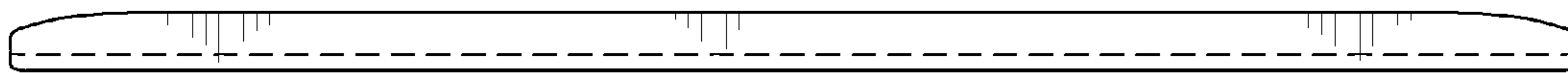


FIG.16

